



**ANATECH ELECTRONICS INC**  
RF & Microwave Filters & Products

# 500 MHz Band Pass Filter

**Part Number: AE500B10400**



## Electrical Specifications

**Center Frequency:** 500 MHz  
**Bandwidth:** 60 MHz  
**Passband:** 470-530 MHz (3dB Flatness Max)  
**Insertion Loss at Fc:** 1.0 dB Max  
**Return Loss:** 14 dB Min  
**Rejection:** >50 dB @ 0-370 MHz  
 >50 dB @ 630-2000 MHz

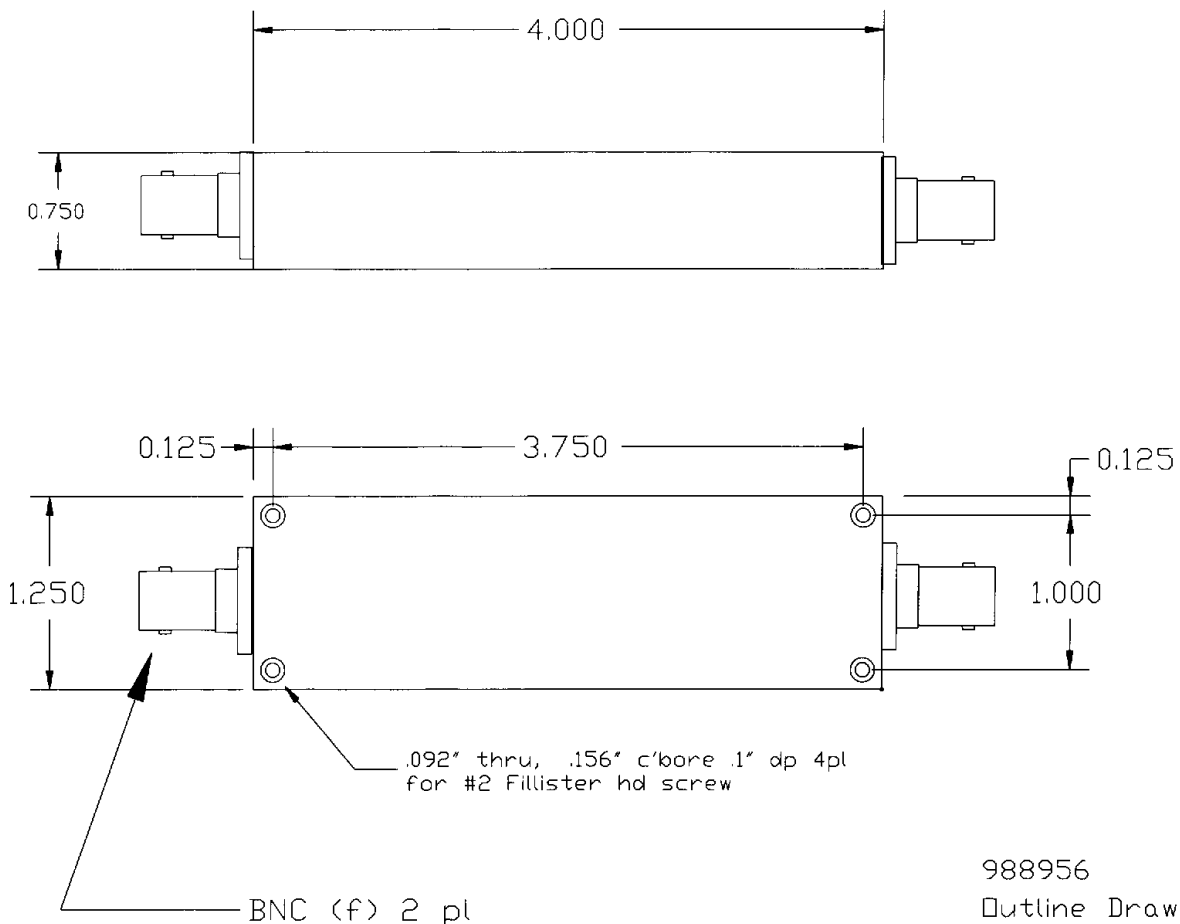
## Mechanical

**Connector Type:** BNC (F)  
**Dimensions:** 4.0 x 1.25 x 0.75 Inches

## Environmental

**Operating Temperature:** -30 to +70° C  
**Storage Temperature:** -40 to +85° C

### Outline Drawing:



988956  
Outline Drawing  
(987530)

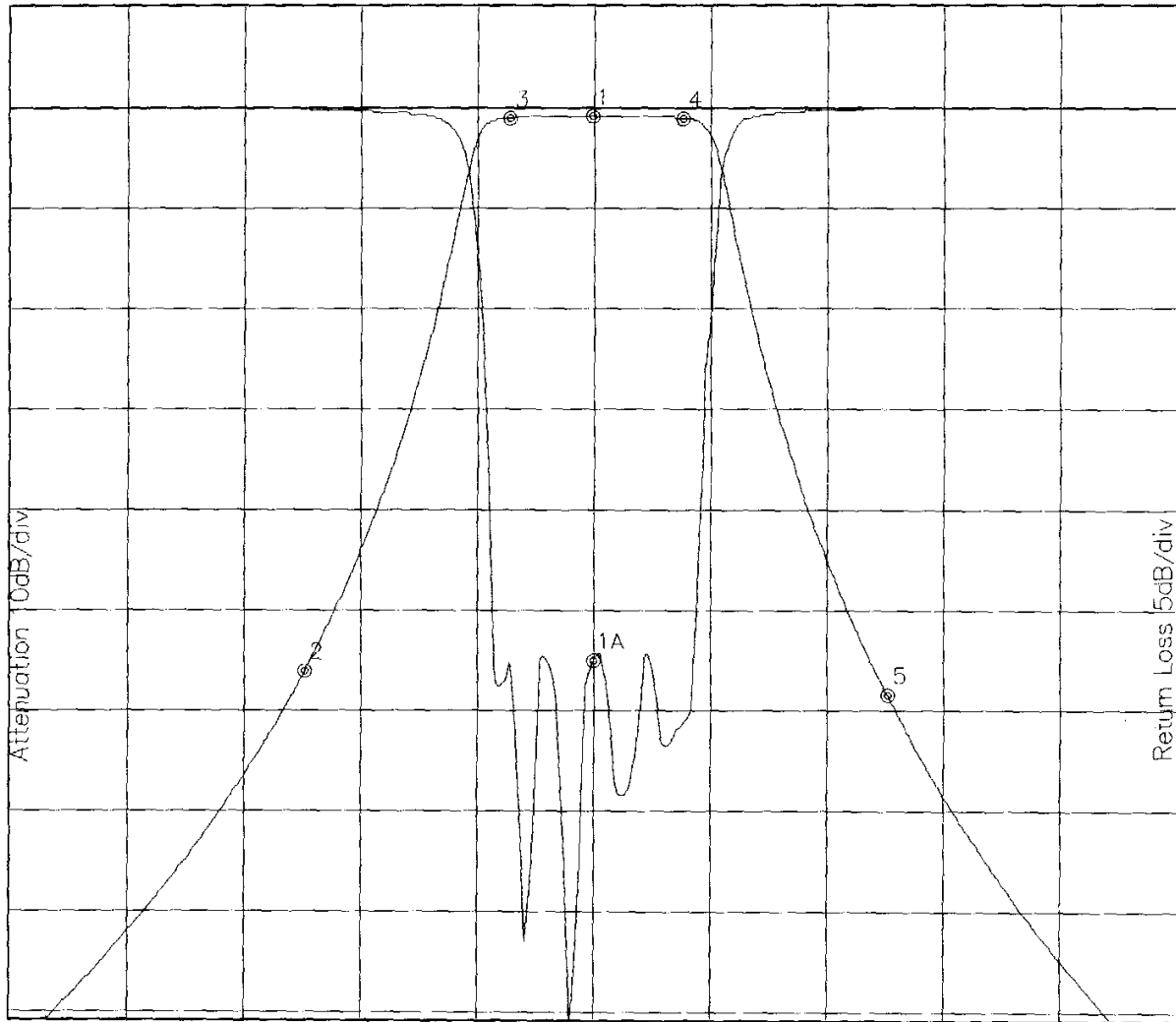


**Response Plot:**

A4129.lad

SEP 28, 2009

Attenuation/Return Loss



Attenuation Start: 300.0MHz Stop: 700.0MHz

Return Loss Start: 300.0MHz Stop: 700.0MHz

- Marker 1 Freq 499.03MHz Atten -0.791dB
- Marker 2 Freq 400.16MHz Atten -56.112dB
- Marker 3 Freq 470.59MHz Atten -1.020dB
- Marker 4 Freq 530.04MHz Atten -1.061dB
- Marker 5 Freq 600.48MHz Atten -58.540dB

Marker 1A Freq 499.67MHz Ret Loss -27.446dB