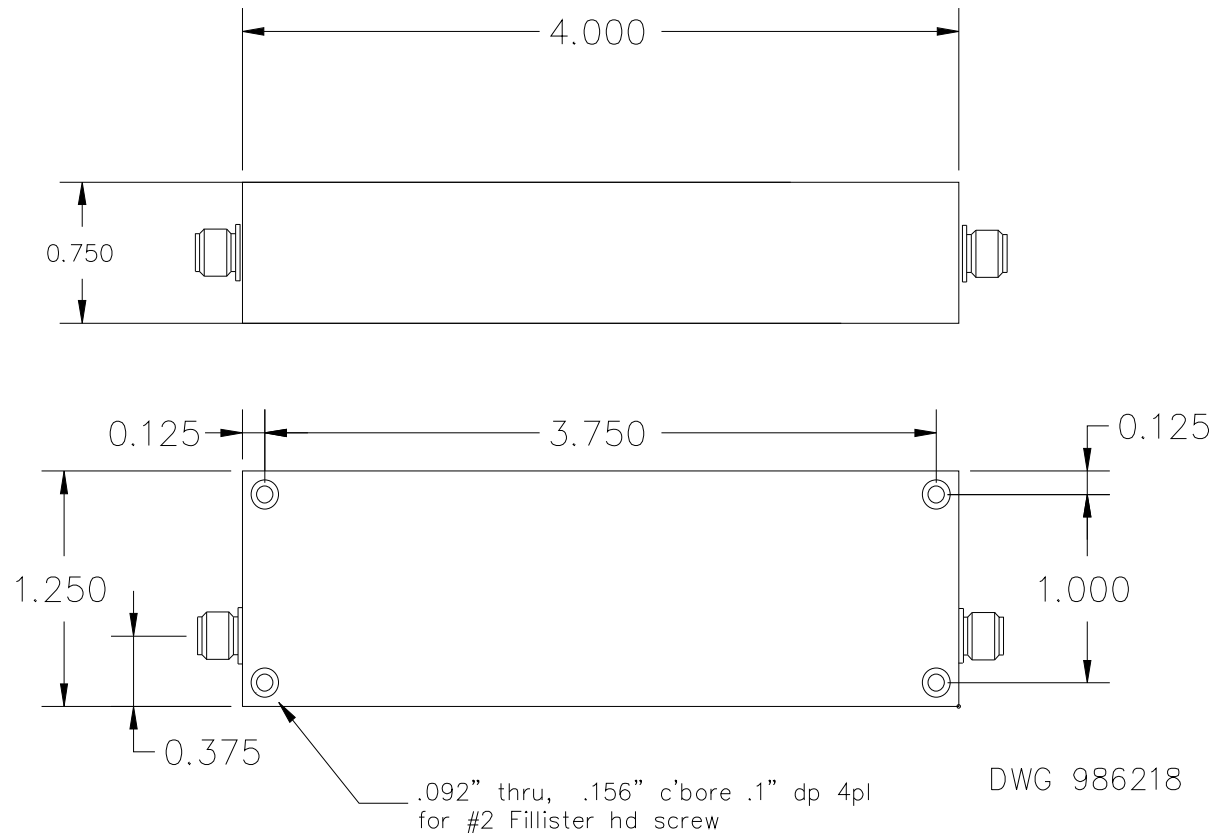




Part Number – AE803NS2065

803 MHz Bandstop/Notch Filter

Notch Center Frequency (Fo)	803MHz
Notch Bandwidth	800-806MHz
Rejection in BW	>70dB
Passband low side of Notch	0-750MHz
Passband high side of Notch	850-1200MHz
Passband Insertion loss	<3dB
Passband Return loss	>14dB
Impedance	75 ohm
Size	4x1.25x0.75(in)
Connector	Type F (F), bulkhead receptacle





ANATECH ELECTRONICS, INC.

Manufacturer of RF & Microwave Filters and Products



Part Number – AE803NS2065

803 MHz Bandstop/Notch Filter

Response Plot:

