



2422 MHz Cavity Bandpass Filter

Part Number: AB2422B575



Electrical specifications

Center Frequency: 2422 MHz
3dB Bandwidth: 22 MHz
Input / Output Impedance: 50 Ohms
Passband: 2411 – 2433 MHz
Passband Insertion Loss: 2 dB max
Passband Ripple: <0.2 dB
Passband Return Loss: 15 dB min.
Passband Flatness: 0.5 dB max
Out of Band Rejection for Frequency: <2397 MHz: 60 dB min
Out of Band Rejection for Frequency: >2447 MHz: 60 dB min
Power Handling: 50 W

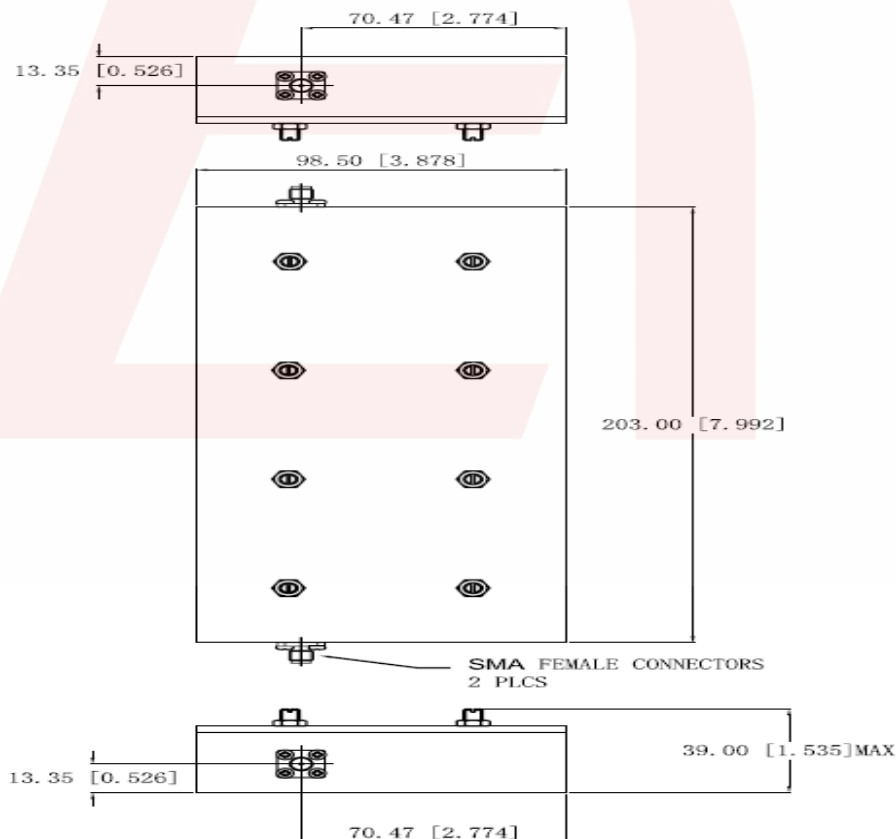
Mechanical

Mounting Method: Threaded Mounting Holes
Connector Type: SMA Female
Dimensions: 203 x 98.5 x 39 mm.

Environmental

Operating Temperature: -45 to +85 deg.C
Storage Temperature: -55 to +95 deg.C
Shock: 20 G. 11ms
Vibration: 20 G. 5 to 200 MHz

Outline Drawing:





ANATECH ELECTRONICS INC
RF & Microwave Filters & Products

2422 MHz Cavity Bandpass Filter

Part Number: AB2422B575



Response Plot:

