



Electrical specifications

Center Frequency: 8016 MHz
Passband: 7656-8376 MHz
Insertion loss over passband: <1.0 dB
Passband flatness: +/- 0.2 dB
Return loss over passband: >14 dB
Rejection 1: >80 dB@6960 MHz
Rejection 2: >80 dB@8960 MHz

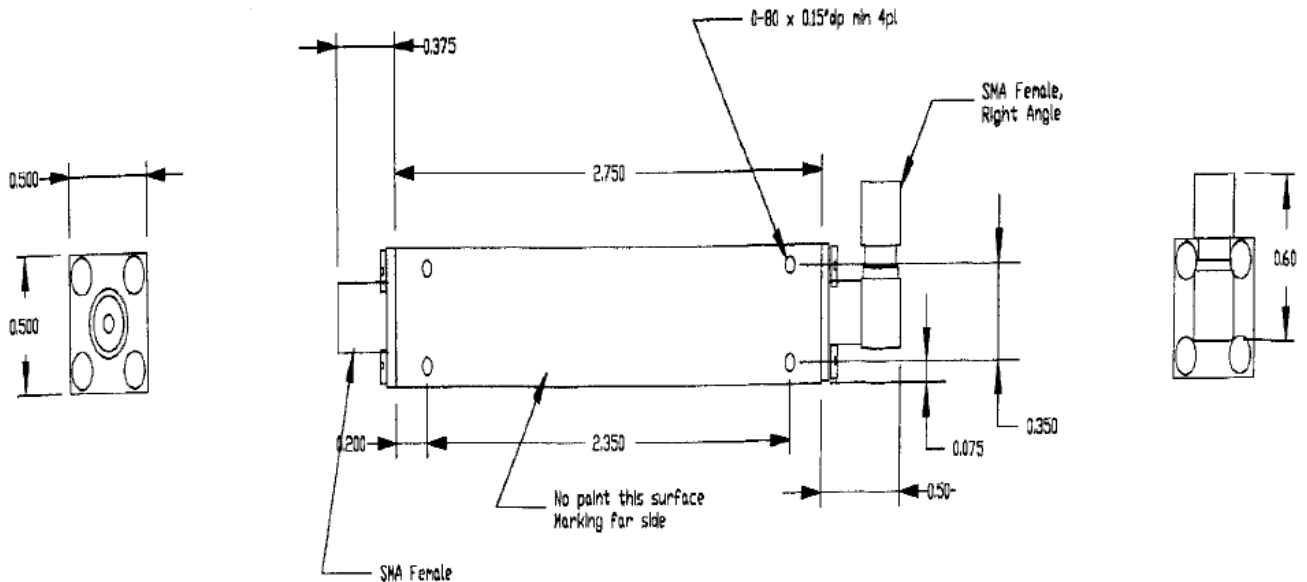
Mechanical

Mounting Method: Threaded Mounting Holes
Connector Type: SMA Female
Dimensions: 2.75" x 0.50" x 0.50" in

Environmental

Operating Temperature: -45 to +85° C
Storage Temperature: -55 to +95° C
Shock: 20 G. 11ms
Vibration: 20 G. 5 to 200 MHz

Outline Drawing:





8016 MHz Cavity Bandpass Filter

Part Number: AB8016B871

ANATECH ELECTRONICS INC
RF & Microwave Filters & Products



Plots:

