

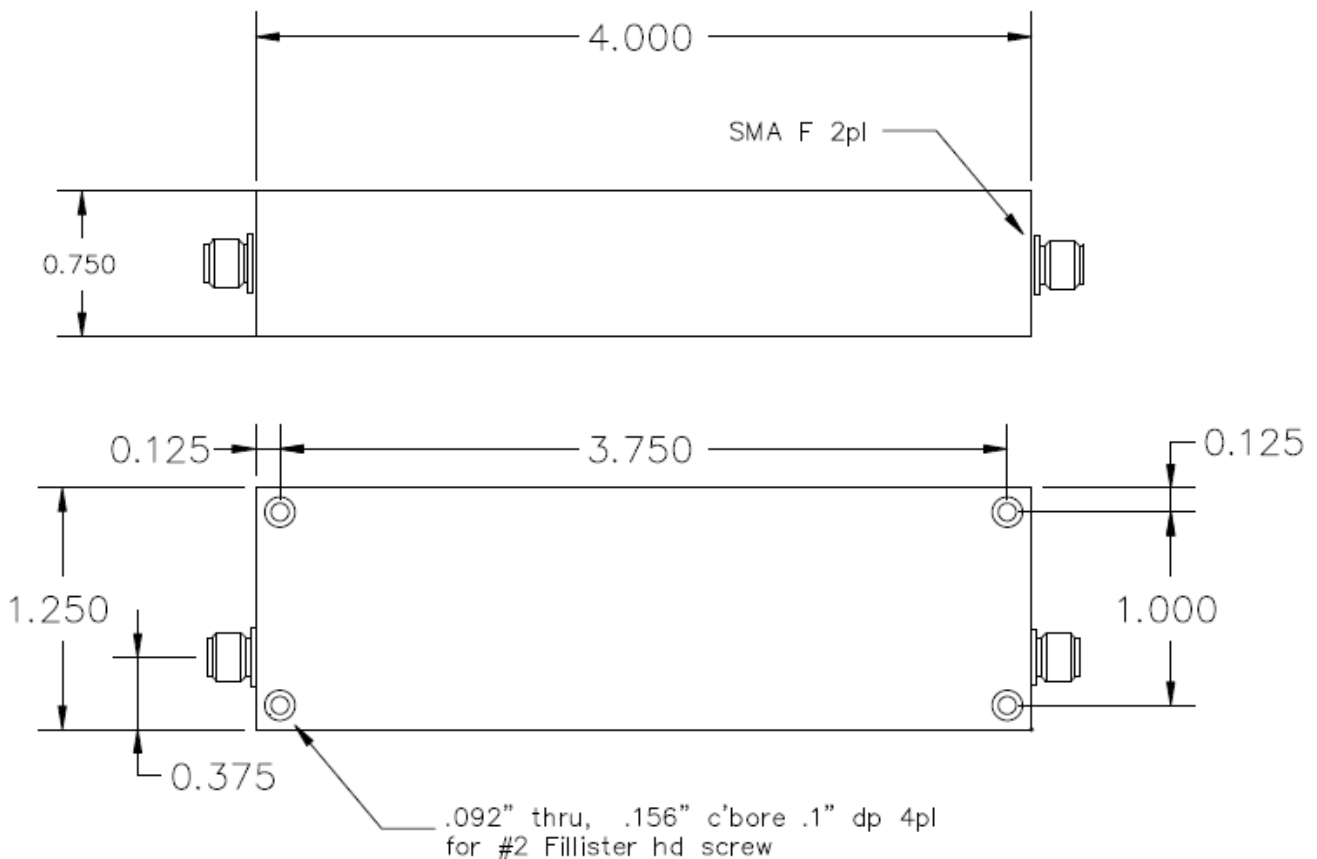


945 MHz Lowpass Filter

Part Number: AE945L8908

Insertion Loss:	<1 dB @ 550-945 MHz <3 dB @ 1000 MHz
Return Loss:	>15 dB
Rejection:	>15 dB @ 1172 MHz >50 dB @ 1690-3000 MHz
Connector Type:	SMA (F)
Dimensions:	4 x 1.25 x 0.75 inches

Outline Drawing:

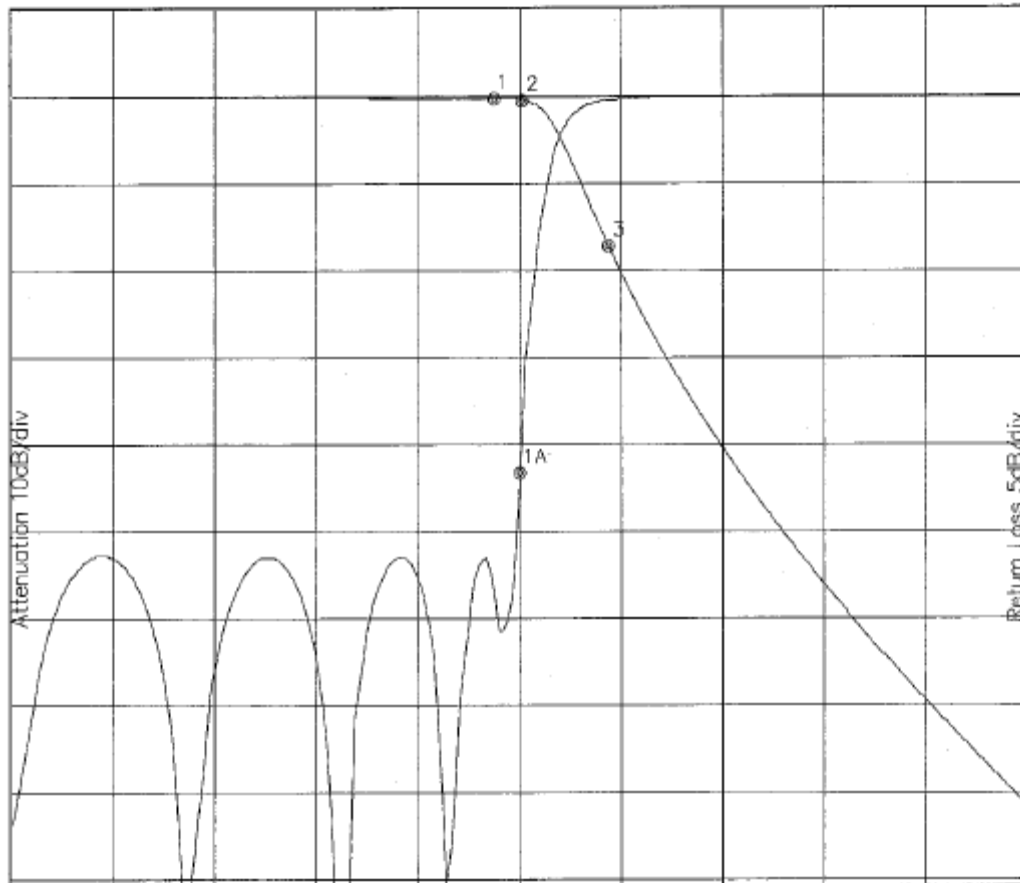




945 MHz Lowpass Filter

Part Number: AE945L8908

Response Plot:



Attenuation Start: 0.20GHz Stop: 2.0GHz

Return Loss Start: 0.20GHz Stop: 2.0GHz

Marker 1 Freq 946.68MHz Atten -0.189dB

Marker 2 Freq 1.002GHz Atten -0.343dB

Marker 3 Freq 1.173GHz Atten -17.151dB

Marker 1A Freq 998.38MHz Ret Loss -21.669dB