



**ANATECH ELECTRONICS INC**  
RF & Microwave Filters & Products

# 3200 MHz Cavity Band Pass Filter

**Part Number: AE3200B5585**



## Electrical Specifications

**Center Frequency:** 3200 MHz  
**Passband:** 3197.5-3202.5 MHz  
**Insertion Loss @ 3200 MHz:** 4.0 dB Max.  
**Return Loss:** 14 dB Min.  
**Rejection1:** ≥ 60 dB @ 3145 MHz  
**Rejection2:** ≥60 dB @ 3255 MHz  
**Rejection3:** ≥70 dB @ 3090 MHz  
**Rejection4:** ≥70 dB @ 3310 MHz

## Mechanical

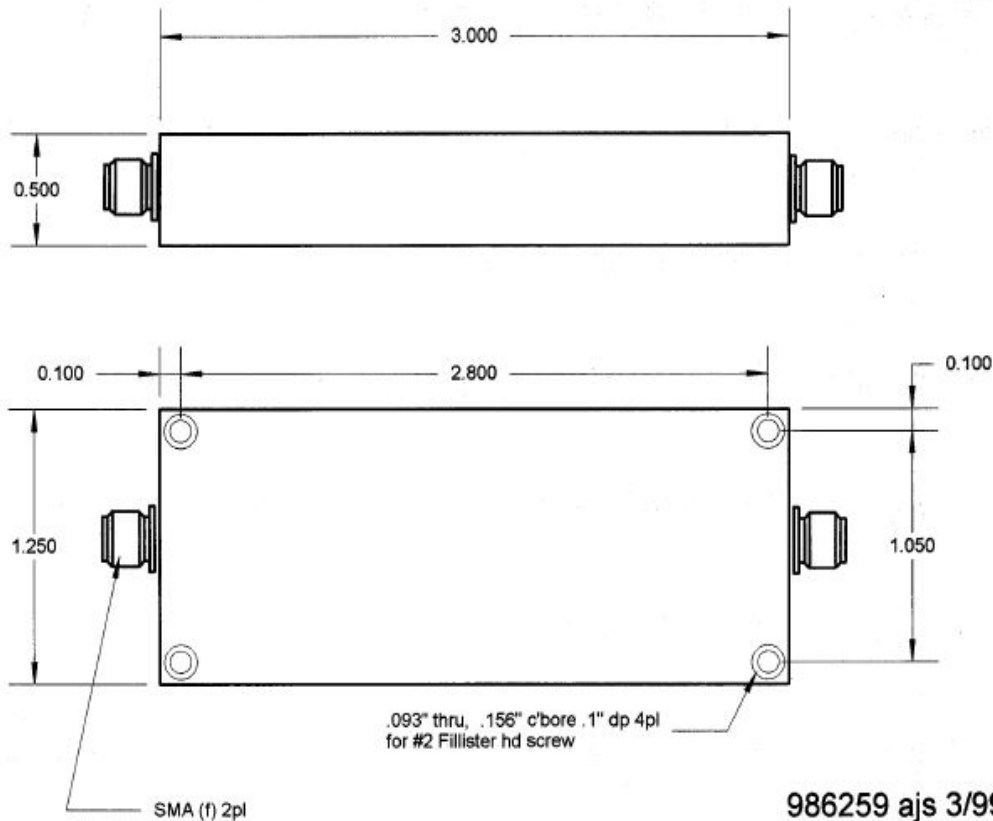
**Mounting Method:** Through Holes  
**Connector Type:** SMA(F)  
**Dimensions:** 3.0" X 1.25" x 0.5" .

## Environmental

**Operating Temperature:** -25°C to +70°C  
**Storage Temperature:** -40°C to +90°C  
**Shock:** 20 G. 11ms  
**Vibration:** 20 G. 5 to 200Hz

## Outline Drawing:

rev A mtg hole chg



2 decimal places: +/-0.01 inches [+/- 0.3mm]  
 3 decimal places: +/- 0.005 inches [+/- 0.13mm]  
 Angles: +/- 1 Deg.

*When max dimensions are called out the above tolerances do not apply as long as it is under the max call out.*

**70 Outwater Lane Phone: (973) 772-4242**  
**Garfield, NJ 07026 Fax : (973) 321-3941**

**Email: [sales@anatechelectronics.com](mailto:sales@anatechelectronics.com)**  
**Web: [www.anatechelectronics.com](http://www.anatechelectronics.com)**



**ANATECH ELECTRONICS INC**  
RF & Microwave Filters & Products

# 3200 MHz Cavity Band Pass Filter

Part Number: AE3200B5585



## Response Plot:

