



### Electrical specifications

**Cutoff Frequency (Fc):** 260 MHz  
**Passband:** DC-200 MHz  
**Insertion loss:** 0.5 dB @ 200 MHz  
**Insertion loss:** 1.0 dB @ 220 MHz  
**Return loss @ DC-220 MHz:** >15 dB  
**High Side Rejection:** 60 dB from 300-1000 MHz  
**Power Handling:** 10 W

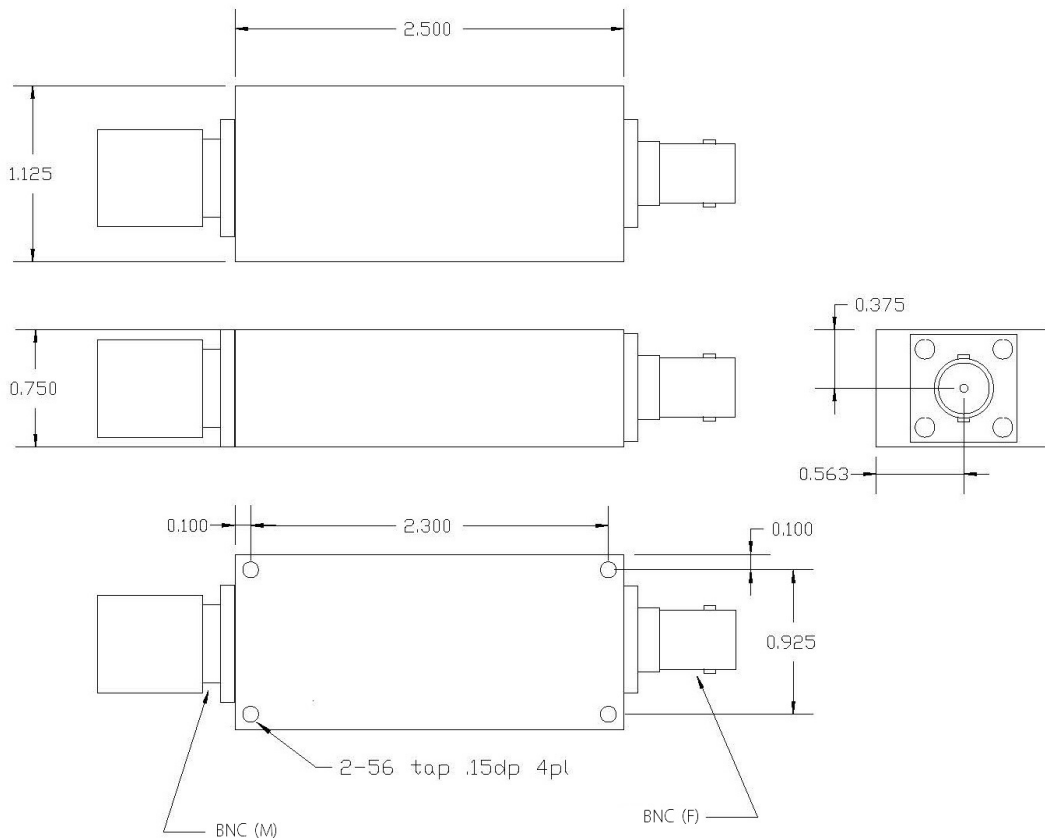
### Mechanical

**Connector Type:** BNC (M) / BNC (F)  
**Dimensions:** 2.5 x 1.125 x 0.75 inches

### Environmental

**Operating Temperature:** 0 to +85 deg.C  
**Storage temperature:** -65 to +95 deg.C  
**Shock:** 20 G's, ½ sine, 11ms  
**Vibration:** 10 G's, 10-2000Hz  
**Relative Humidity:** 0-95%

### Outline Drawing:





### Response Plot:

