



**ANATECH ELECTRONICS INC**  
RF & Microwave Filters & Products

# 1775 MHz LC Band Pass Filter

**Part Number: AE1775B10824**



## Electrical Specifications

**Center Frequency:** 1775 MHz  
**Bandwidth:** 150 MHz  
**Passband:** 1700-1850 MHz  
**Insertion Loss:** 2.0 dB Max  
**Return Loss:** 15 dB Min  
**Rejection:** 50 dB @ 1475 MHz  
50 dB @ 2175 MHz  
**Power Handling:** 15 Watts Max

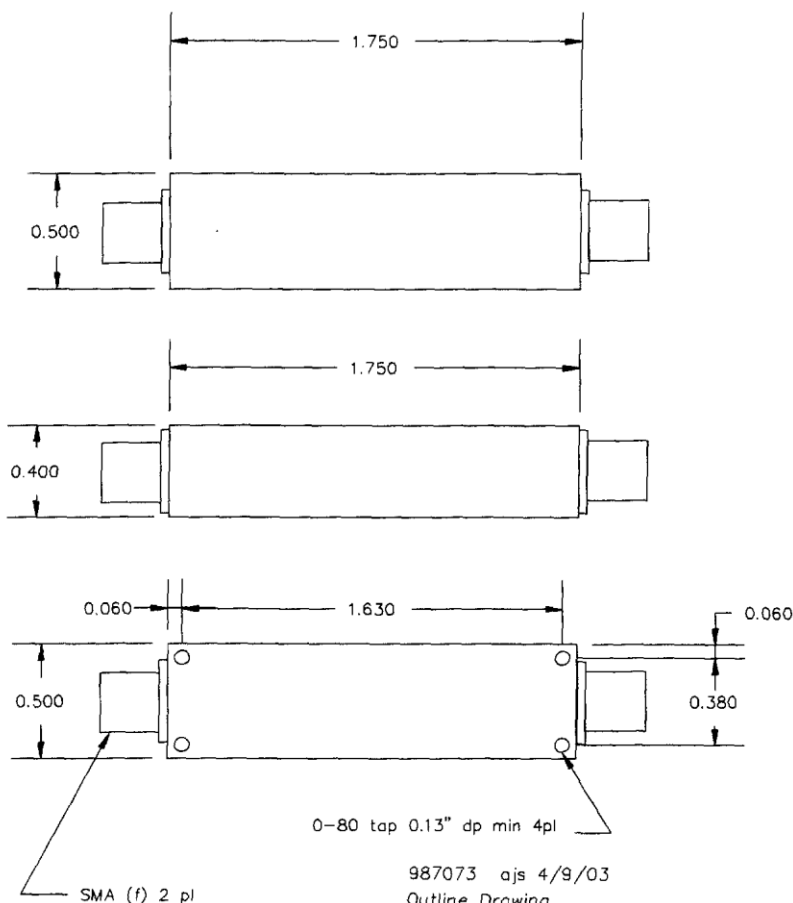
## Mechanical

**Connector Type:** SMA (F)  
**Dimensions:** 1.75 x 0.50 x 0.40 Inches

## Environmental

**Operating Temperature:** -40 to +85° C  
**Storage Temperature:** -65 to +95° C

## Outline Drawing:



987073 ajs 4/9/03  
Outline Drawing  
Anatech Electronics inc.  
(986929)