

High Frequency Ceramic Solutions

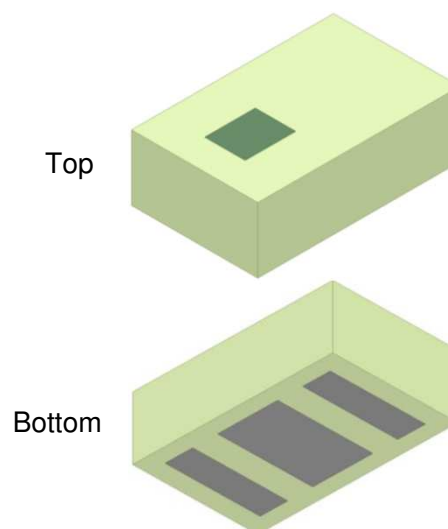
6.1GHz Band Pass Filter, EIA 0603, SMD, Low Loss and High Attenuation

P/N 6100BP14A1955

Detail Specification: 10/14/2021

Page 1 of 4

| General Specifications | |
|---|--|
| Part Number | 6100BP14A1955 |
| Frequency (MHz) | 5170 - 7125 |
| Insertion loss (dB) | 0.9 max. |
| Return Loss (dB) | 15 typ. (10 min.) |
| Attenuation (dB) | 40 min. @ 2400 - 2500MHz 30 min. @ 10340 - 14250MHz 30 min. @ 15510 - 21375MHz |
| Power Capacity (W) | 3 max. (CW) |
| Operating Temperature | -40 to +85°C |
| Reel Quantity (pcs/reel) | 4,000 |
| Recommended Storage Conditions and Period for unused Product on T&R | +5 to +35°C Humidity 45 - 75% RH 18 months max. |



You can download measured s-parameters of this component at: <https://www.johansontechnology.com/band-pass-filters>

| Part Number Explanation | | | | |
|-------------------------|------------------|-------------------|-----------------|---------------------------|
| P/N Suffix | Packaging Style | Bulk (loose pcs.) | Suffix = S | E.g. 6100BP14A1955S |
| | | T & R | Suffix = T | E.g. 6100BP14A1955T |
| | Evaluation Board | 50Ω SMA | Suffix = EB1SMA | E.g. 6100BP14A1955-EB1SMA |

| Mechanical Dimensions | | |
|-----------------------|---------------|-------------|
| | In | mm |
| L | 0.063 ± 0.006 | 1.60 ± 0.15 |
| W | 0.031 ± 0.006 | 0.80 ± 0.15 |
| T | 0.026 max. | 0.65 max. |
| a | 0.010 ± 0.004 | 0.25 ± 0.10 |
| b | 0.016 ± 0.004 | 0.40 ± 0.10 |
| c | 0.009 ± 0.002 | 0.23 ± 0.05 |
| d | 0.022 ± 0.004 | 0.55 ± 0.10 |
| e | 0.024 ± 0.004 | 0.60 ± 0.10 |

| Terminal Configuration | |
|------------------------|----------|
| No. | Function |
| 1 | IN/OUT |
| 2 | GND |
| 3 | IN/OUT |

Johanson Technology, Inc. reserves the right to make design changes without notice.

All sales are subject to Johanson Technology, Inc. terms and conditions.



Ver. 1.0

<https://www.johansontechnology.com>

4001 Calle Tecate • Camarillo, CA 93012, USA • TEL +1.805.389.1166

2021 Johanson Technology, Inc. All Rights Reserved

High Frequency Ceramic Solutions

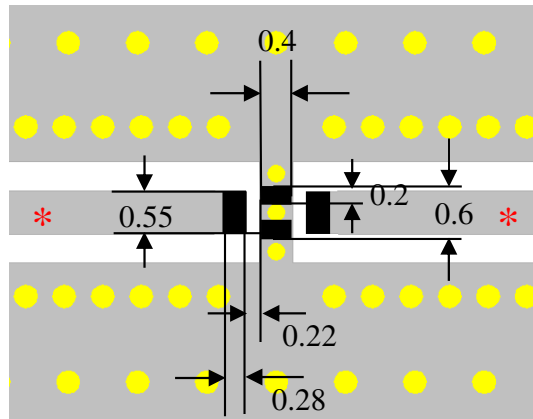
6.1GHz Band Pass Filter, EIA 0603, SMD, Low Loss and High Attenuation

P/N 6100BP14A1955

Detail Specification: 10/14/2021

Page 2 of 4

Mounting Pad Dimensions



Units in mm

■ Solder Resist

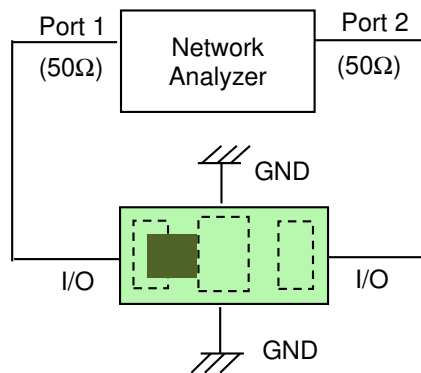
■ Land

● GND Via (ϕ 0.35, 0.23)

* Transmission line width should be designed to match 50 Ω characteristic impedance, depending on PCB material and thickness.

Would you like the layout? Send us a message at: <https://www.johansontechnology.com/ask-a-question>

Measurement Schematic



Port 1: Filter IN/OUT
Port 2: Filter IN/OUT

Johanson Technology, Inc. reserves the right to make design changes without notice.

All sales are subject to Johanson Technology, Inc. terms and conditions.



Ver. 1.0

<https://www.johansontechnology.com>

4001 Calle Tecate • Camarillo, CA 93012, USA • TEL +1.805.389.1166

2021 Johanson Technology, Inc. All Rights Reserved

High Frequency Ceramic Solutions

6.1GHz Band Pass Filter, EIA 0603, SMD, Low Loss and High Attenuation

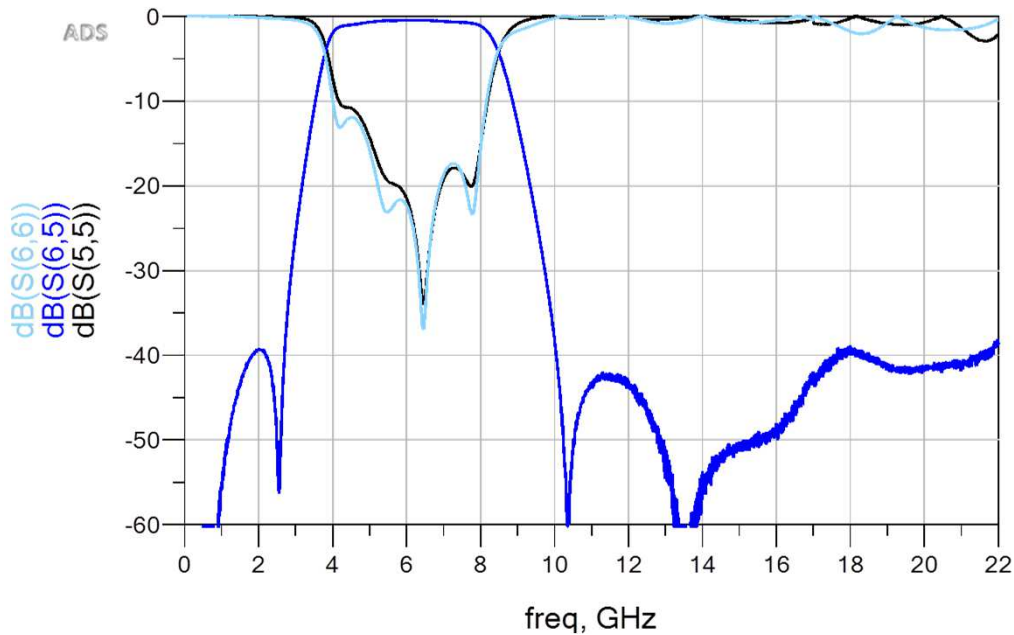
P/N 6100BP14A1955

Detail Specification: 10/14/2021

Page 3 of 4

Typical Electrical Characteristics (T=25°C)

Insertion Loss & Return loss



Do you need the S-parameter file of the above? Send us a message at:
<https://www.johansontechnology.com/ask-a-question>

Johanson Technology, Inc. reserves the right to make design changes without notice.

All sales are subject to Johanson Technology, Inc. terms and conditions.



Ver. 1.0

<https://www.johansontechnology.com>

4001 Calle Tecate • Camarillo, CA 93012, USA • TEL +1.805.389.1166

2021 Johanson Technology, Inc. All Rights Reserved

High Frequency Ceramic Solutions

6.1GHz Band Pass Filter, EIA 0603, SMD, Low Loss and High Attenuation

P/N 6100BP14A1955

Detail Specification: 10/14/2021

Page 4 of 4

Application Notes, Layout Files, and more

<https://www.johansontechnology.com/band-pass-filters>

Packaging information

<https://www.johansontechnology.com/tape-reel-packaging>

Soldering Information

<https://www.johansontechnology.com/ipcsoldering-profile>

MSL Info

<https://www.johansontechnology.com/msl-rating>

Recommended Storage Condition and Max Shelf Life

<https://www.johansontechnology.com/recommended-storage-conditions>

RoHS Compliance

<https://www.johansontechnology.com/rohs-compliance>

Antenna layout and tuning techniques

<https://www.johansontechnology.com/tuning>

Antenna layout review, tuning, and characterization services

<https://www.johansontechnology.com/ipc-antenna-services>

Johanson Technology, Inc. reserves the right to make design changes without notice.

All sales are subject to Johanson Technology, Inc. terms and conditions.



Ver. 1.0

<https://www.johansontechnology.com>

4001 Calle Tecate • Camarillo, CA 93012, USA • TEL +1.805.389.1166

2021 Johanson Technology, Inc. All Rights Reserved