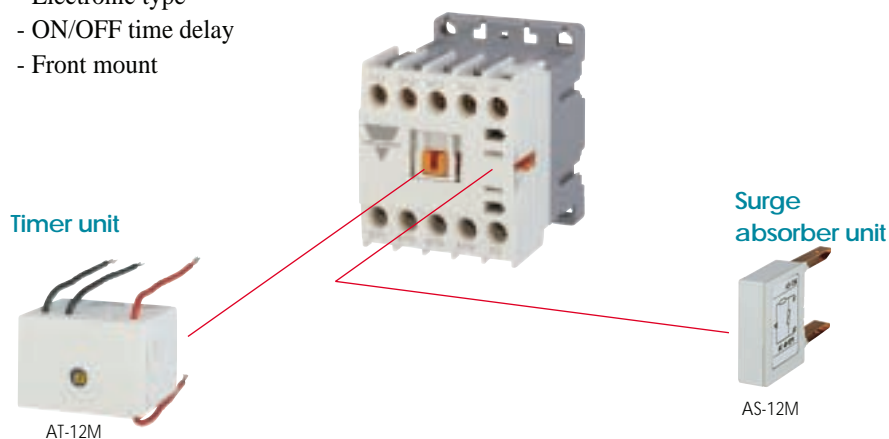


Accessories for mini contactors

Timer unit, AT-12M

- Electronic type
- ON/OFF time delay
- Front mount



Electronic Timer

| Type | Control voltage | Delay | Time | Applied contactors |
|---------------|-----------------|-------|---------|----------------------------|
| AT-12M / -on | AC/DC 24-48V | ON | 0.1-30s | CGMS-6A-16A CGMS-6D-16D |
| AT-12M / -off | AC/DC 24-48V | OFF | 0.1-30s | CGMS-6A-16A CGMS-6D-16D |
| AT-12M / on | AC 100-220V | ON | 0.1-30s | CGMS-6A-16A CGMS-6D-16D |
| AT-12M / off | AC 100-220V | OFF | 0.1-30s | CGMS-6A-16A CGMS-6D-16D |

Surge absorber unit, AS-12M

- Coil suppressor



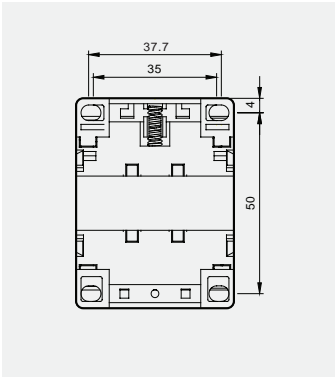
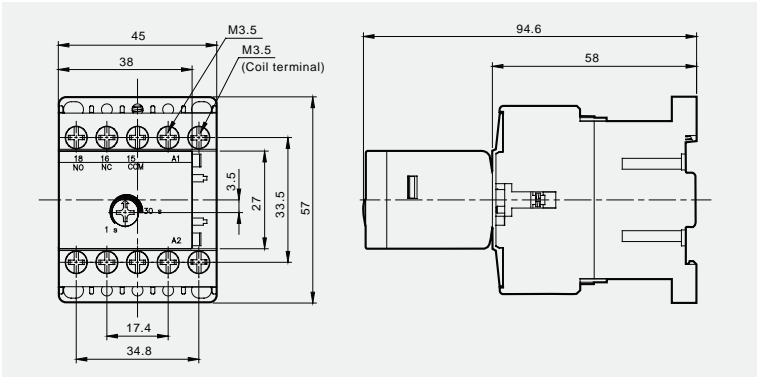
Surge absorber unit

| Type | Internal element | Operational voltage | Applied contactors |
|------------|------------------|---------------------|--------------------|
| AS-12M / 1 | Varistor | AC24-48V | CGMS-6A-16A |
| AS-12M / 2 | | AC60-127V | |
| AS-12M / 3 | | AC200-240V | |
| AS-12M / 4 | | DC12-24V | CGMS-6D-16D |
| AS-12M / 5 | | DC30-72V | |
| AS-12M / 6 | | DC100-127V | |
| AS-12M / 7 | | DC200-250V | |

Mini contactors

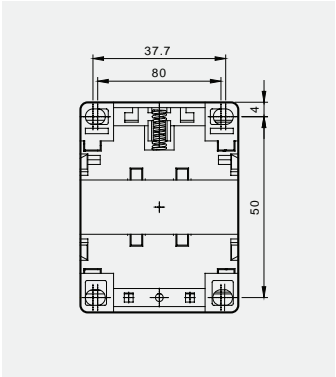
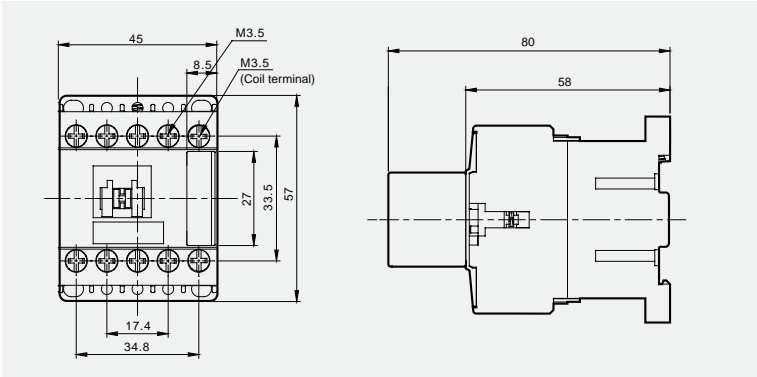
Dimensions

CGMS-12A
+
AT-12M



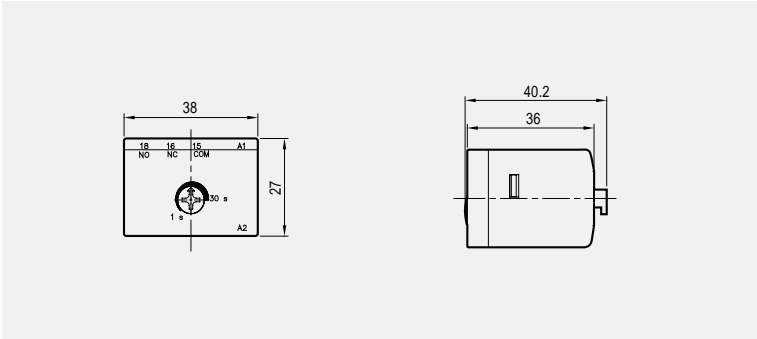
0.21kg

CGMS-12D
+
AS-12M



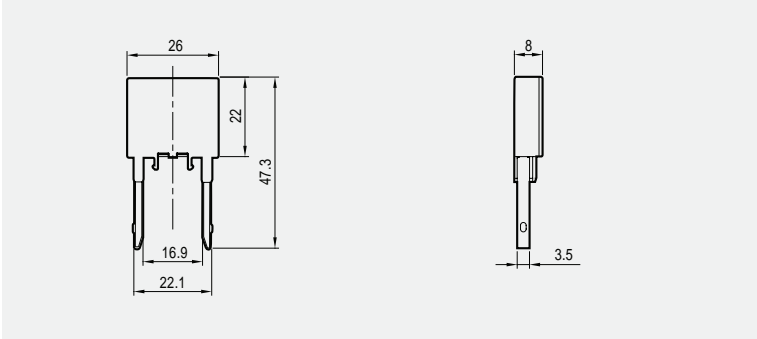
0.175kg

AT-12M



0.04kg

AS-12M



0.005kg