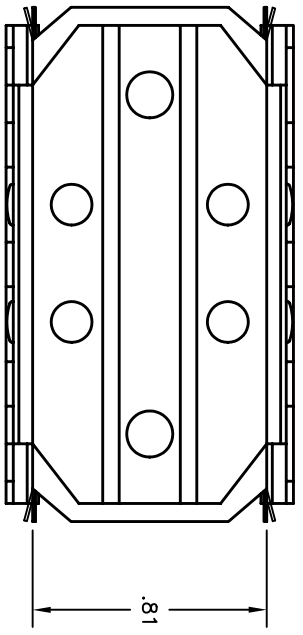
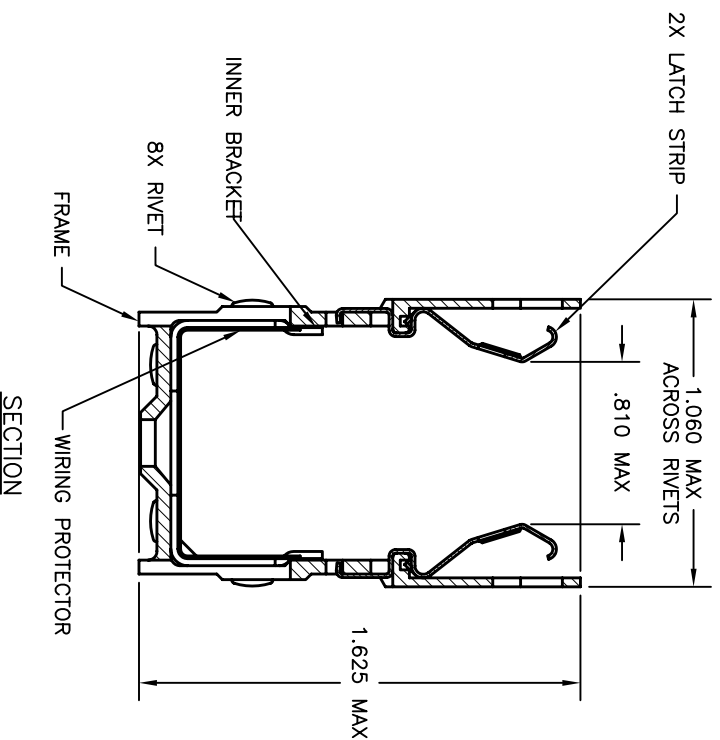
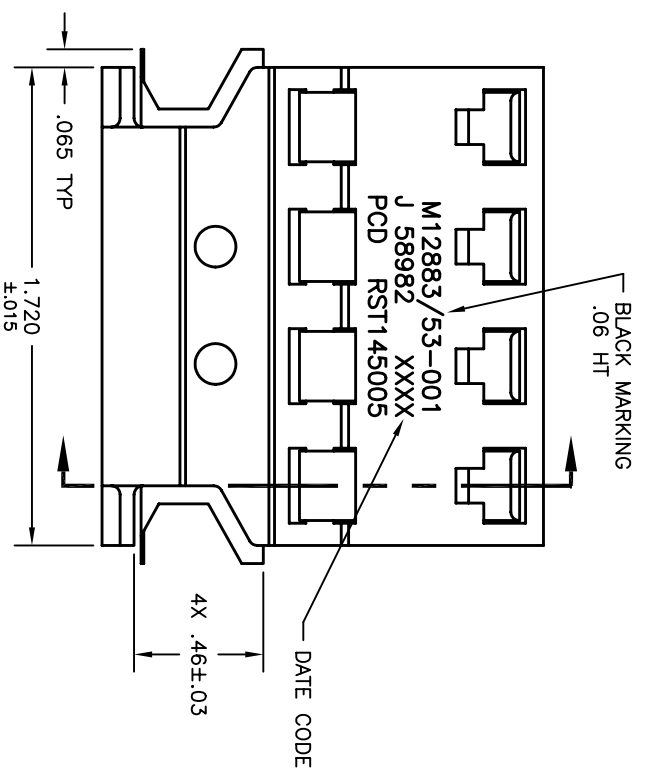


REV	ECN	APP'D
-	4158	



- NOTES:
- MATERIALS:  
 OUTER TRACK: ALUMINUM ALLOY PER QQ-A-225. CHEMICAL COATING PER MIL-C-5541, CLASS 3  
 INNER BRACKETS AND RIVETS: STAINLESS STEEL PER QQ-S-766, PASSIVATED  
 LATCH: BERYLLIUM COPPER #172 PER QQ-C-535, BRIGHT FINISH  
 WIRING PROTECTOR: ARAMID PAPER PER MIL-I-24202  
 PERFORMANCE SPECIFICATIONS:  
 OPERATING TEMPERATURE: -65 TO 125 DEG C  
 FOR USE WITH PCD SOCKET PART NO'S RSE116175, RSE116185, AND RSE116195

DIMENSIONS	ANSI Y14.5M	TOLERANCES	.XX ±.01	PROJECTION	
	UNITS: INCHES	.XXX ±.005	ANGLES ±2°		
ACAD FILE					
ORIGINAL	THIS DOCUMENT CONTAINS PROPRIETARY INFORMATION WHICH IS THE CONFIDENTIAL PROPERTY OF PCD, INC. PEABODY, MA, USA				
<b>SPECIFICATION DRAWING</b>					
CHKD	ENGR	MEL	10/25/00		
APPD					
SIZE	DWG NO.	TITLE			
A		 MOUNTING TRACK RELAY SOCKET M12883/53-001			
CODE: 58982	SCALE: NONE	RST145005	REV		
SHEET 1	SHEET 1 OF 1		-		