

RHS11267DIND



Accessories: Heatsinks



Main features

- 0.54°C/W thermal resistance
- Suitable for mounting of 1-phase SSRs or 3-phase SSRs
- DIN rail mounting
- Dimensions W x H x D: 119 x 125 x 94 mm
- RoHS compliant

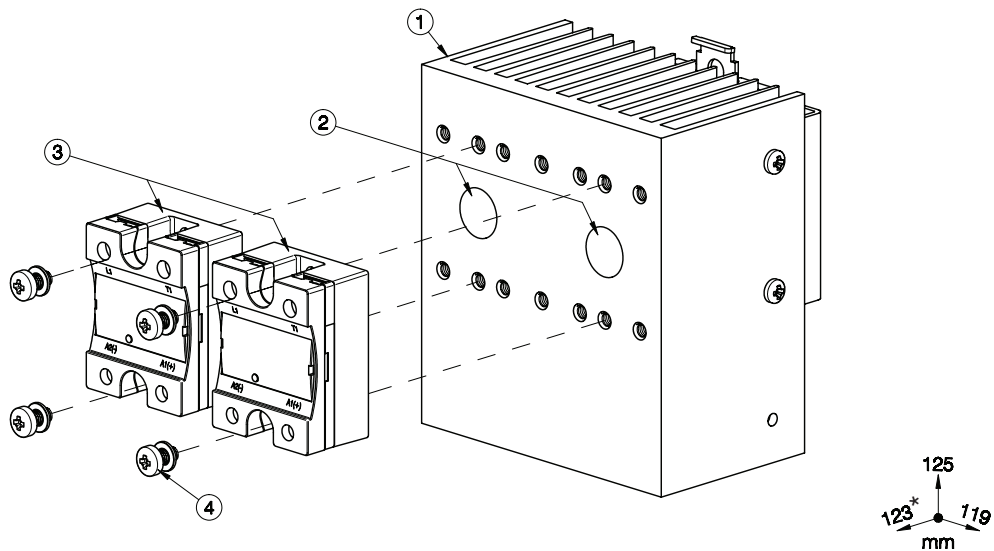
Description

Heatsink assembly suitable for mounting of maximum 3x 1- phase solid state relay (SSR) or 1x 3-phase SSR.

Suffix H78D added to SSR part no. refers to factory mounted heatsink. Conditions apply. Please ask your sales representative for further details.

Structure

1-phase SSR



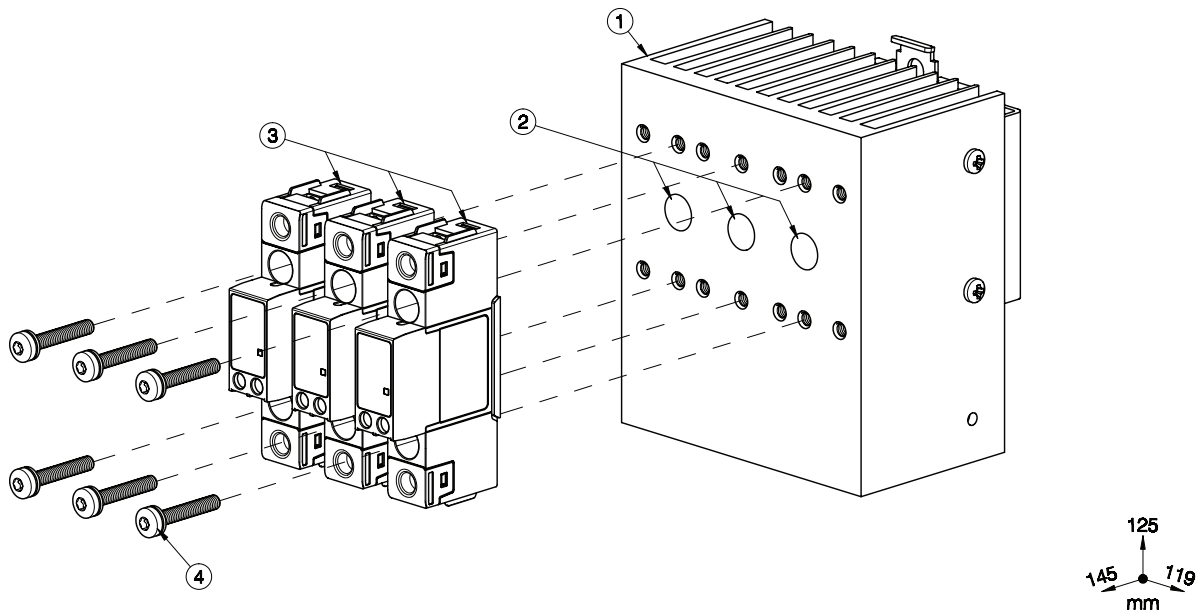
Element	Component	Qty	RHS11267DIND
1	RHS11267DIND heatsink assembly	1	Provided
2	Thermal Compound or Pad	1	Not provided
3	1-phase SSR 45x59mm (max.)	2	Not provided
4	M5x10mm PZ2 + Washer (per SSR)	2	Not provided

Note:

* 127mm for RK..C, 138mm for RK..P (including plug).

Dimensions including the SSR.

When only 1 SSR is utilized it shall be mounted at the centre of the heatsink.


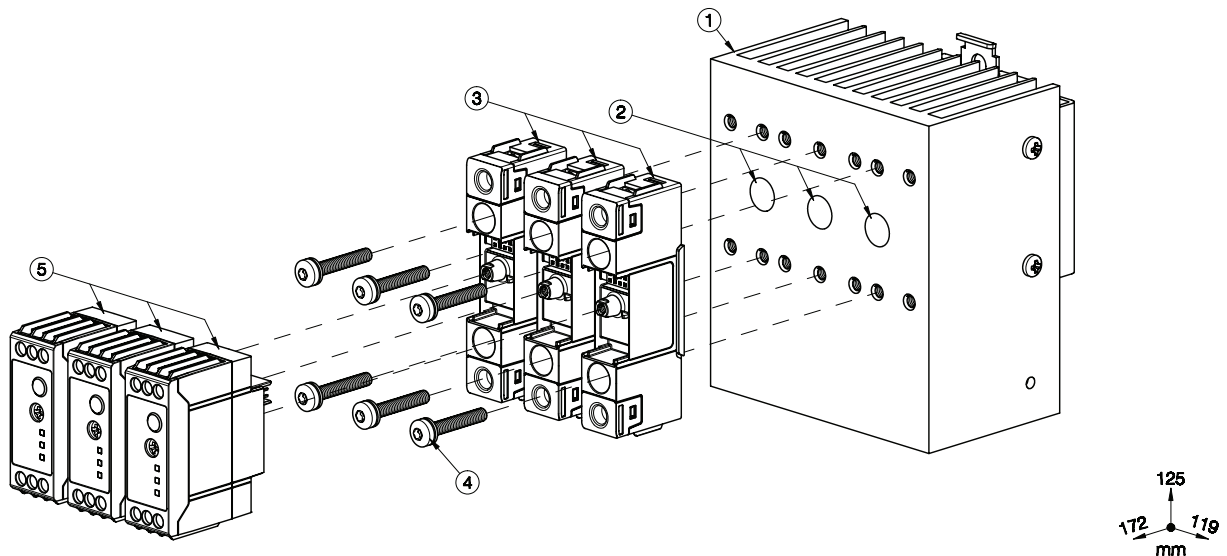

RGS1 18mm Module


Element	Component	Qty	RHS11267DIND
1	RHS11267DIND heatsink assembly	1	Provided
2	Thermal Compound or Pad	1	Not provided
3	RGS1 SSR 18x90mm (max.)	3	Not provided
4	M5x30mm Torx T20 + Washer (per SSR)	2	Not provided

Note:

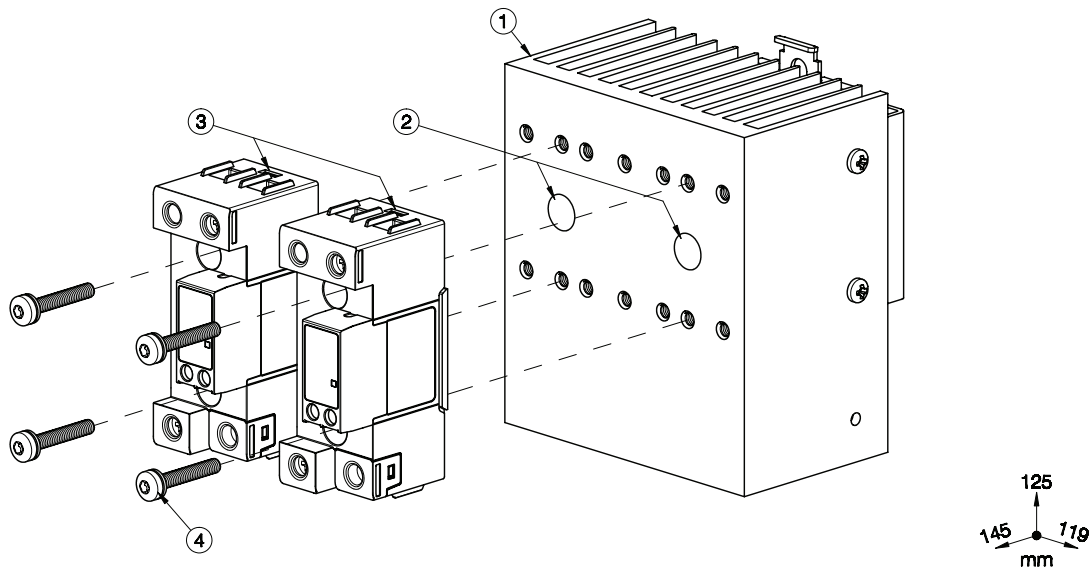
Dimensions including the SSR.

When only 1 SSR is utilized it shall be mounted at the centre of the heatsink.


RGS1 22.5mm Module


Element	Component	Qty	RHS11267DIND
1	RHS11267DIND heatsink assembly	1	Provided
2	Thermal Compound or Pad	1	Not provided
3	RGS1 Power Module 18x90mm (max.)	3	Not provided
4	M5x30mm Torx T20 + Washer (per SSR)	2	Not provided
5	RGS1S Control Module 22.5x65mm (max.)	3	Not provided

Note:
Dimensions including the SSR.


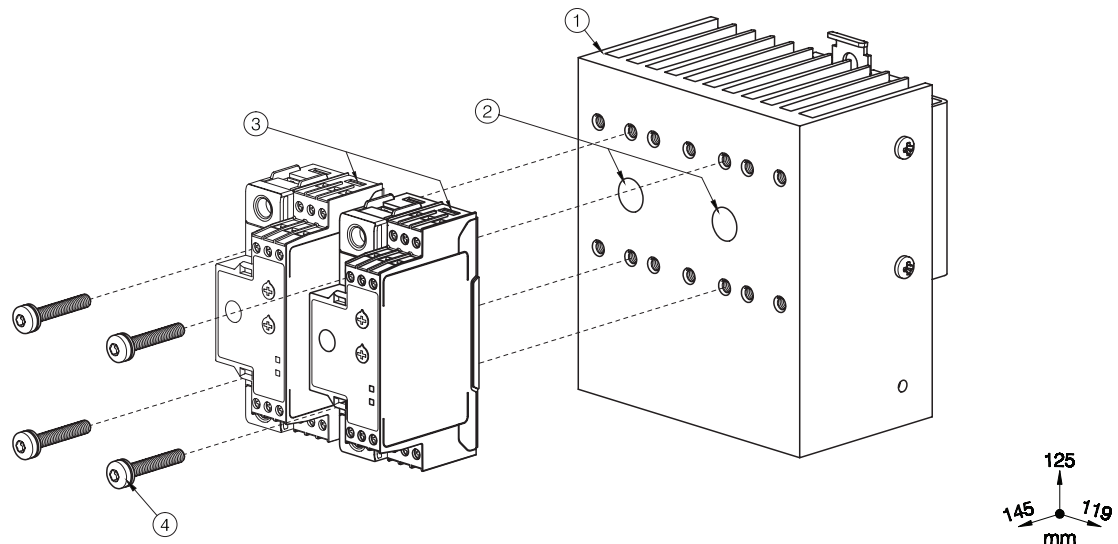

RGS1 35mm Module


Element	Component	Qty	RHS11267DIND
1	RHS11267DIND heatsink assembly	1	Provided
2	Thermal Compound or Pad	1	Not provided
3	RGS1 or RGS1S SSR 36x90mm (max.)	2	Not provided
4	M5x30mm Torx T20 + Washer (per SSR)	2	Not provided

Note:

Dimensions including the SSR.

When only 1 SSR is utilized it shall be mounted at the centre of the heatsink.

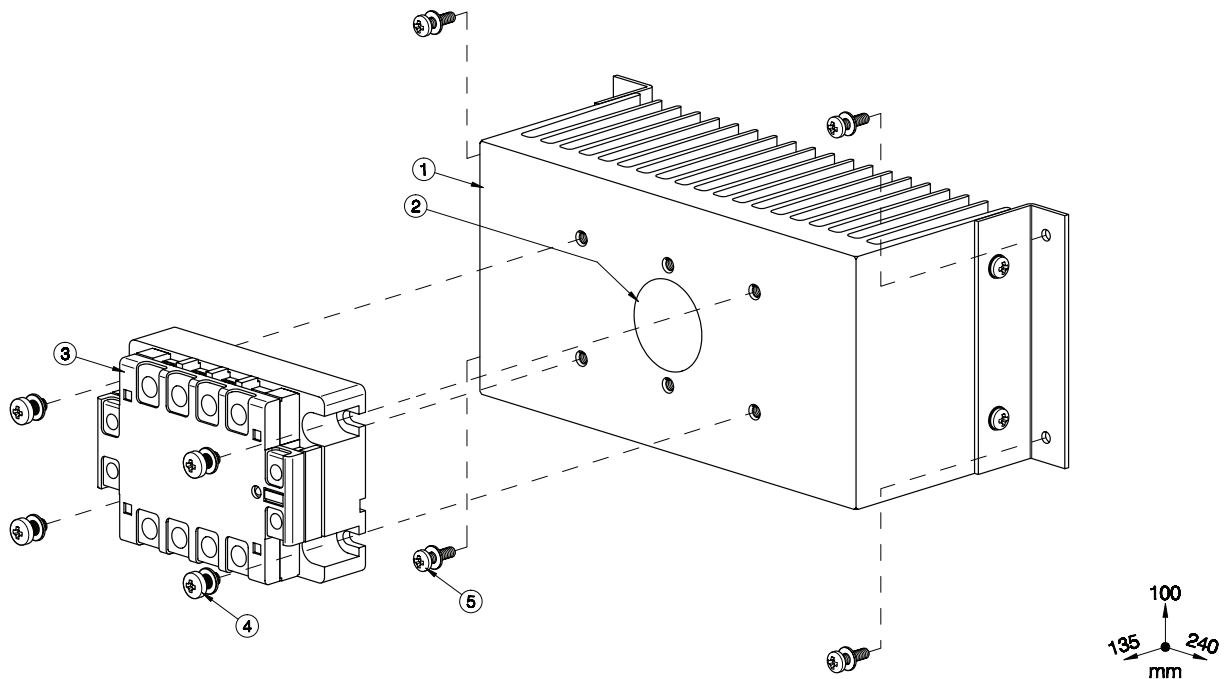

RGS1P 35mm Module


Element	Component	Qty	RHS11267DIND
1	RHS11267DIND heatsink assembly	1	Provided
2	Thermal Compound or Pad	1	Not provided
3	RGS1P SSR 35x90mm (max.)	2	Not provided
4	M5x30mm Torx T20 + Washer (per SSR)	2	Not provided

Note:

Dimensions including the SSR.

When only 1 SSR is utilized it shall be mounted at the centre of the heatsink.


 3-phase SSR


Element	Component	Qty	RHS11267DIND
1	RHS11267DIND heatsink assembly	1	Provided
2	Thermal Compound HTS02S	1	Not provided
3	3-phase SSR 104 x 74mm	1	Not provided
4	M5x10mm PZ2 + Washer (per SSR)	4	Not provided

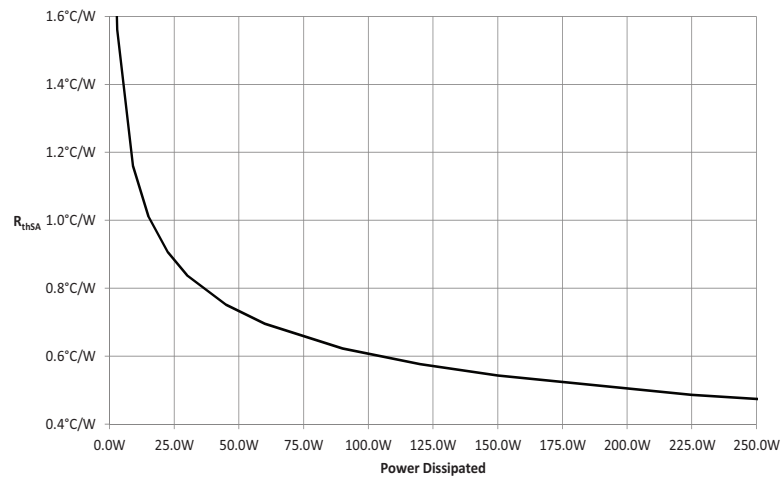
Dimensions including the SSR.

Features

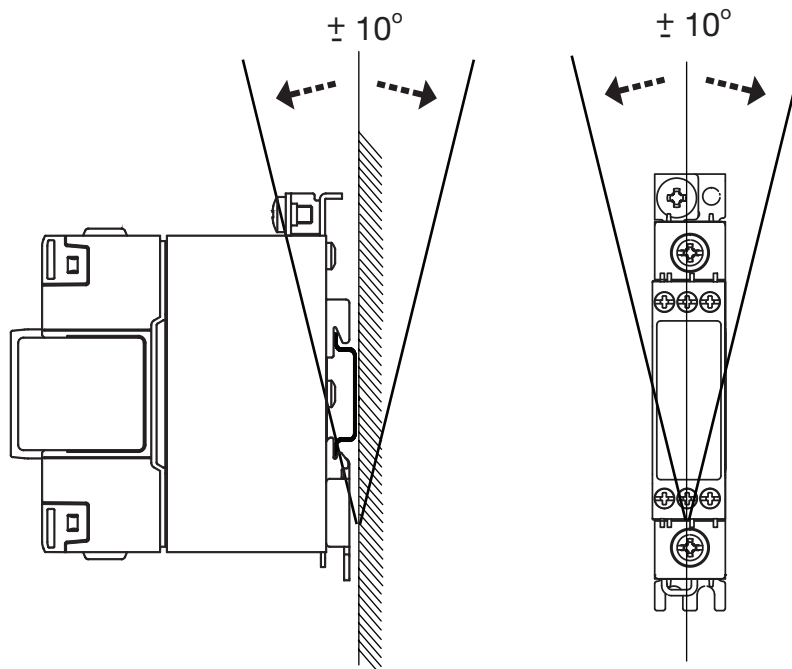
General

SSR max. mounting torque	1.5Nm (13.3 lb-in)
Weight (excl. SSR)	approx 1200g
Material	Aluminium
Finish	Black anodization
Fan mounting	Not possible

Thermal resistance curve



Mounting position



Installation

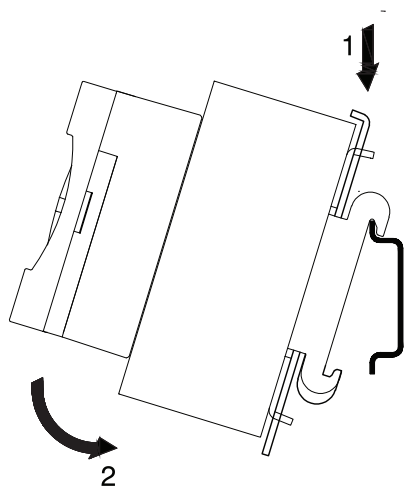


Fig. 1 Mounting on DIN rail

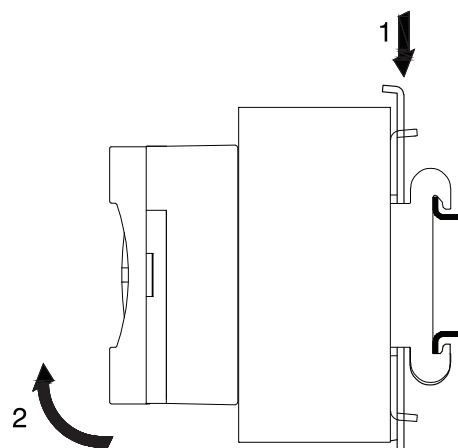


Fig. 2 Dismounting from DIN rail

Illustrations are for example only.

Recommended maximum current rating (per SSR)

1. The below recommendations are only valid when the assembly (SSR + heatsink) is mounted as shown in the mounting instructions unless otherwise indicated.
2. The indicated ratings are applicable to one SSR, one pole. Please refer to the online selector tool at www.productselection.net for different load currents, surrounding temperatures or multiple units on one heatsink.
3. These recommendations are applicable only with the indicated Carlo Gavazzi thermal interface material between SSR and heatsink. In case a different thermal interface is utilised these recommendations may no longer be valid.

Pre-attached phase change pad, RKHT

1x 2-pole SSR	Surrounding temperature							
	°C °F	20 68	30 86	40 104	50 122	60 140	70 158	80 176
RK 2.. (per pole)	50	50	50	44	38	32	26	19.5
	51	50	50	49.5	42.5	35.5	28.5	21.5
	75	73	65	57	49	41	33	24.5

Thermal compound, HTS02S

1x 3-phase SSR	Surrounding temperature							
	°C °F	20 68	30 86	40 104	50 122	60 140	70 158	80 176
RZ3A..	25	25	25	23.5	20	16	10	4.5
	55	39.5	37.5	33.5	28.5	21	14	7.5
	75	52.5	50	42.5	34.5	26.5	19	11.5

Ratings per pole

Thermal pad, RZHT

1x 3-phase SSR	Surrounding temperature							
	°C °F	20 68	30 86	40 104	50 122	60 140	70 158	80 176
RZ3A..	25	25	23.5	20.5	17.5	14.5	10.5	4.5
	55	34	32.5	29	25.5	21.5	14.5	8
	75	47.5	45	40.5	35.5	27	19.5	12

Thermal compound, HTS02S

1x 1-phase SSR	Surrounding temperature							
	°C °F	20 68	30 86	40 104	50 122	60 140	70 158	80 176
RD..	1	1	1	1	1	1	1	-
	5	5	5	5	5	5	5	-
RA..L RA..T	10	10	10	10	10	10	10	-
	25	25	25	25	22	18.5	15	-
RA..	25	25	25	25	25	20.5	16	-
	50	50	48	42	35.5	28.5	21.5	-
	90	71.5	67.5	58	49	39.5	29.5	-
	110	83	77.5	66.5	55.5	44.5	33	-
RA60..	50	50	47	41.5	35	28.5	22	-
RA2A.. (per pole)	25	25	25	25	25	23	17.5	-
	40	40	38.5	34.5	30	26	19	-
	25M	25	25	25	25	23	17.5	-
	40M	40	39.5	35	31	26.5	19	-
RS1A..	10	10	10	10	10	8	6	-
	25	25	25	25	25	25	24.5	-
	40	40	40	40	40	38.5	26.5	-
RS1A..E	25	25	24	21	18	15.5	12.5	-
	40	31.5	29.5	26	22.5	18.5	15.5	-
RM1A.. RM1B.. RM1C..	25	25	25	25	25	25	24.5	-
	50	50	50	50	48.5	38.5	26.5	-
	75	75	75	74	62.5	47.5	32.5	-
	100	100	97	85.5	68.5	51.5	35	-
RM1A60.. RM1B60.. RM1C60.. RM1E60..	50	50	50	48	42.5	36.5	27	-
RAM1A.. RAM1B.. RM1E..	25	25	25	25	25	25	24.5	14
	50	50	50	50	48.5	38.5	26.5	15
	75	87.5	83	74	62.5	47.5	32.5	18
	100	87.5	83	74	62.5	47.5	32.5	18
	125	100	97	85.5	68.5	51.5	35	19
RGS1..E RGS1P..E*	25	25	25	25	25	25	25	25
	50	50	50	50	50	47.5	39.5	32
	51	50	50	50	50	46	39	31.5
	75	75	75	70	61.5	53	44	35
	90 91 92	88	84	75	66	57	47.5	38
RGS1..U	20	20	20	20	20	20	20	20
	30	30	30	30	30	30	30	30
RGS1S..E	20	23	23	23	23	23	23	-
	30	30	30	30	30	30	30	-
	31	30	30	30	30	30	30	-
	92	88	84	75	66	57	47.5	-
RGS1S..U	61	65	65	65	65	57	47.5	-
RGS1D..	15	15	15	15	15	15	15	15
	25	25	25	25	25	25	22	18

* max. 70 °C / 158 °F for RGS1P..E

 Thermal pad KK071CUT for 1-phase SSRs, RGHT for RG SSRs

1x 1-phase SSR	Surrounding temperature							
	°C °F	20 68	30 86	40 104	50 122	60 140	70 158	80 176
RD..	1	1	1	1	1	1	1	-
	5	5	5	5	5	5	5	-
RA..L RA..T	10	10	10	10	10	10	10	-
	25	25	24.5	22	19	16.5	13	-
RA..	25	25	25	25	22.5	18.5	14.5	-
	50	44.5	41.5	36	30.5	24.5	19	-
	90	57	53.5	46	39	31.5	24	-
	110	64.5	60	52	43.5	35	26	-
RA60..	50	43.5	41	36	30.5	25	19	-
RA2A.. (per pole)	25	25	25	25	24	20.5	17.5	-
	40	35.5	34	30	26.5	23	19	-
	25M	25	25	25	24	20.5	17.5	-
	40M	36.5	34.5	31	27	23	19.5	-
RS1A..	10	10	10	10	9.5	7.5	5.5	-
	25	25	25	25	25	25	19	-
	40	40	40	40	37.5	29	20.5	-
RS1A..E	25	22.5	21	18.5	16	13.5	11	-
	40	26.5	25	22	19	16	13	-
RM1A.. RM1B.. RM1C..	25	25	25	25	25	25	19	-
	50	50	50	45.5	37.5	29	20.5	-
	75	67	62.5	53	43	33.5	23	-
	100	74.5	69	58	47	36	25	-
RM1A60.. RM1B60.. RM1C60.. RM1E60..	50	48.5	46.5	41.5	37	29.5	21	-
RAM1A.. RAM1B.. RM1E..	25	25	25	25	25	25	19	11
	50	50	50	45.5	37.5	29	20.5	11.5
	75	67	62.5	53	43	33.5	23	13
	100	67	62.5	53	43	33.5	23	13
	125	74.5	69	58	47	36	25	14
RGS1..E RGS1P..E*	25	25	25	25	25	25	25.0	21
	50	50	50	45	39.5	34.5	29	23
	51	50	48.5	44	39	34	29	23.5
	75	60	57	51	45	38.5	32.5	26
	90 91 92	63.5	60.5	54	47.5	41	34.5	27.5
RGS1..U	20	20	20	20	20	20	20	20
	30	30	30	30	30	30	29	23
RGS1S..E	20	23	23	23	23	23	23	-
	30	30	30	30	30	30	29	-
	31	30	30	30	30	30	30	-
	92	63.5	60.5	54	47.5	41	34.5	-
RGS1S..U	61	63.5	60.5	54	47.5	41	34.5	-
RGS1D..	15	15	15	15	15	15	15	12.5
	25	25	25	22.5	20	17.5	15	12.5

* max. 70 °C / 158 °F for RGS1P..E



References

CARLO GAVAZZI compatible components

Purpose	Component name/code	Notes
Thermal pads	KK071CUT	Packing qty. 50 pcs, suitable for 1-phase SSRs
	RZHT	Packing qty. 10 pcs, suitable for 3-phase SSR
	RGHT	Packing qty. 10 pcs, suitable for RG SSRs
Phase change thermal pad	RKHT	Packing qty. 10 pcs, suitable for RK series
Thermal compound	HTS02S	2ml syringe of silicone based thermal compound
Screw Kits	SRWKITM5X10MM	Packing qty. 20 pcs.
	SRWKITM5X30MM	Packing qty. 20 pcs.

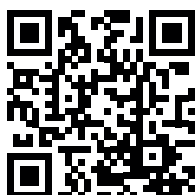
Further reading

Information	Where to find it
Online heatsink selector tool	http://www.productselection.net/heatsink/heatsinkSelector.php?LANG=UK
Accessories	http://www.productselection.net/Pdf/UK/SSR_Accessories.pdf

Order code



RHS11267DIND



COPYRIGHT ©2016
Content subject to change. Download the PDF: www.productselection.net