

# Mini overload relays

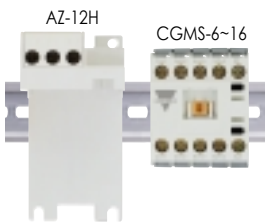
## Bimetallic style



CGT-12M

### Description

- Direct mount on the mini contactors with screw clamp connection.  
contactor types : CGMS-6A(D), CGMS-9A(D),  
CGMS-12A(D), CGMS-16A(D)
- DIN rail or screw mountable with the optional base AZ-12H
- Small physical size : 44 mm wide
- 1NO+1NC trip contacts
- Trip class 10A according to IEC60947-4-1
- Differential current/Phase failure protection : CGT types
- Non-differential CGTH types are available for the economic solution
- Ambient compensated -5 to 40 °C
- Manual/Automatic reset convertible.
- Remote reset is optional
- Trip free designed



Separate mount  
Direct mount



CGT-12M

### Catalog No.

Setting ranges(A)	Differential type	Non-differential type	
	3-heater	3-heater	2-heater
0.1 - 0.16	CGT-12M • 0.16	CGTH-12MH/3 • 0.16	CGTH-12MH • 0.16
0.16 - 0.25	CGT-12M • 0.25	CGTH-12MH/3 • 0.25	CGTH-12MH • 0.25
0.25 - 0.4	CGT-12M • 0.4	CGTH-12MH/3 • 0.4	CGTH-12MH • 0.4
0.4 - 0.63	CGT-12M • 0.63	CGTH-12MH/3 • 0.63	CGTH-12MH • 0.63
0.63 - 1	CGT-12M • 1	CGTH-12MH/3 • 1	CGTH-12MH • 1
1 - 1.6	CGT-12M • 1.6	CGTH-12MH/3 • 1.6	CGTH-12MH • 1.6
1.6 - 2.5	CGT-12M • 2.5	CGTH-12MH/3 • 2.5	CGTH-12MH • 2.5
2.5 - 4	CGT-12M • 4	CGTH-12MH/3 • 4	CGTH-12MH • 4
4 - 6	CGT-12M • 6	CGTH-12MH/3 • 6	CGTH-12MH • 6
5 - 8	CGT-12M • 8	CGTH-12MH/3 • 8	CGTH-12MH • 8
6 - 9	CGT-12M • 9	CGTH-12MH/3 • 9	CGTH-12MH • 9
7 - 10	CGT-12M • 10	CGTH-12MH/3 • 10	CGTH-12MH • 10
9 - 13	CGT-12M • 13	CGTH-12MH/3 • 13	CGTH-12MH • 13
12 - 16	CGT-12M • 16	CGTH-12MH/3 • 16	CGTH-12MH • 16

### Auxiliary (Trip) contact rating

AC15(11) duty			DC13(11) duty	
110V	220V	550V	110V	220V
2.5(0.3)A	2(0.3)A	1(0.3)A	0.28A	0.14A

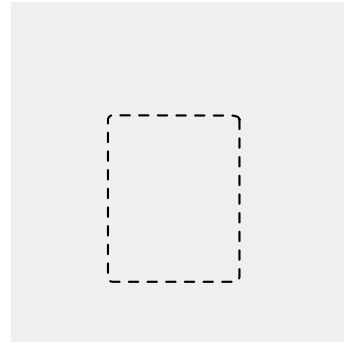
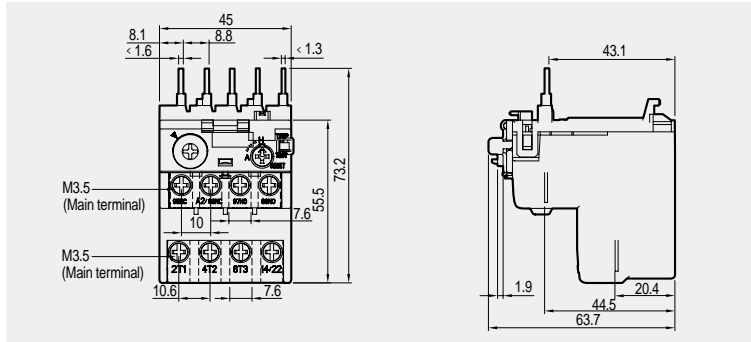
Note) Values of ( ) are the ratings of NO contact under auto reset mode.

### For more information

- Drawings → page 37
- Mini Contactors → page 18~26
- Starters → page 32
- Separate mounting unit → page 33
- Operating curves → page 39

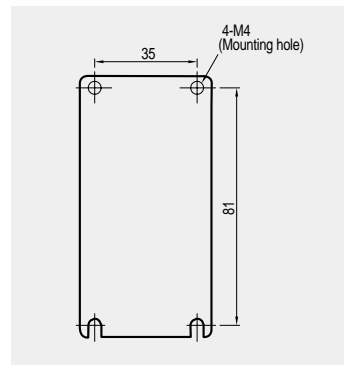
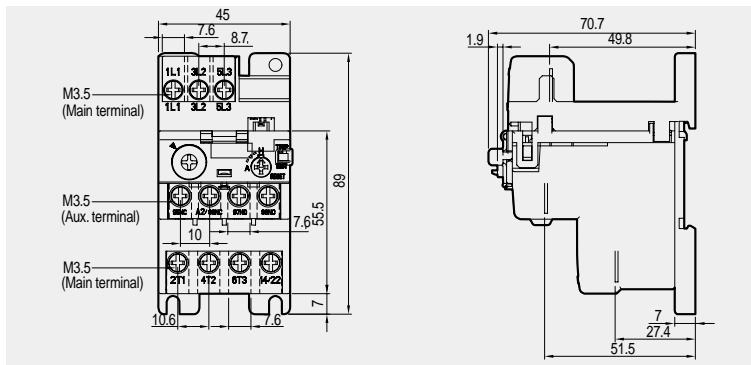


**CGT(H)-12M**



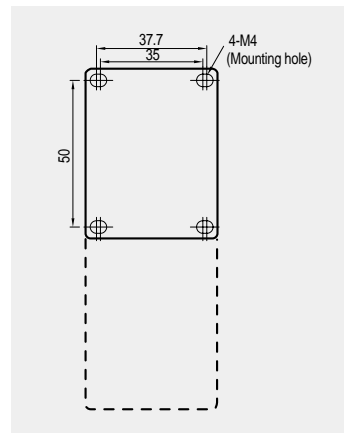
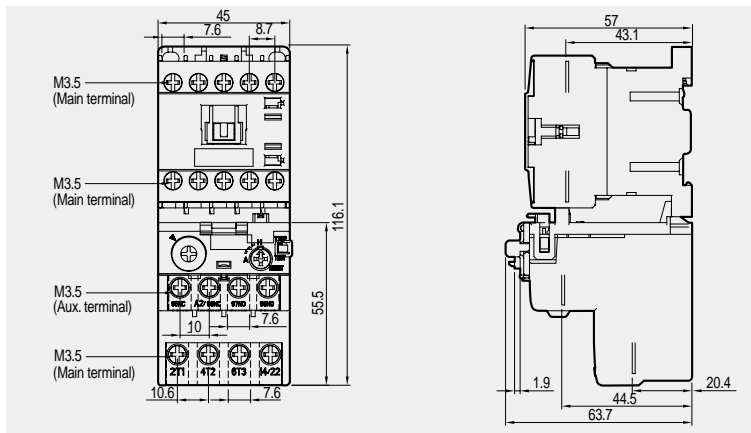
0.1kg

**CGT(H)-12MH**



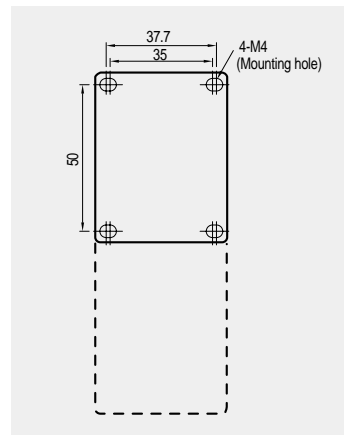
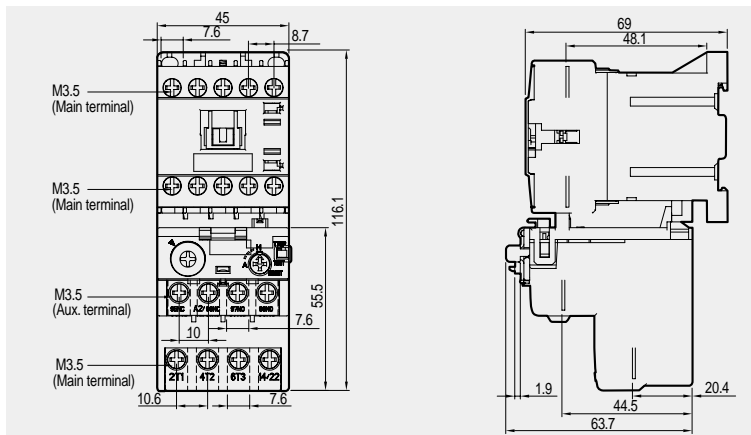
0.4kg

**CGMSS-6,9,  
12,16A**



0.26kg

**CGMSS-6,9,  
12,16D**

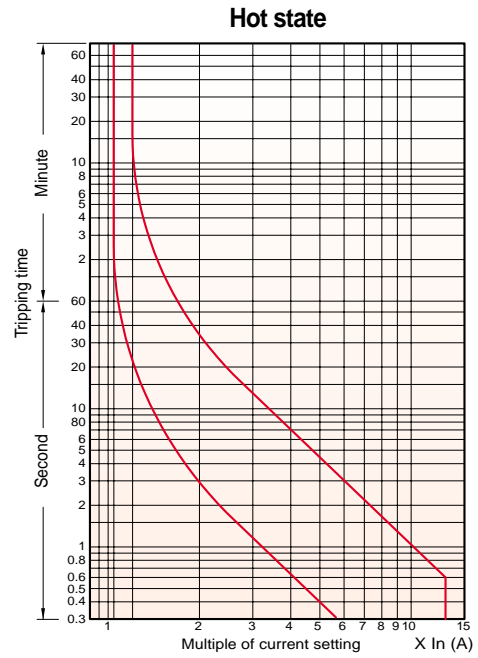
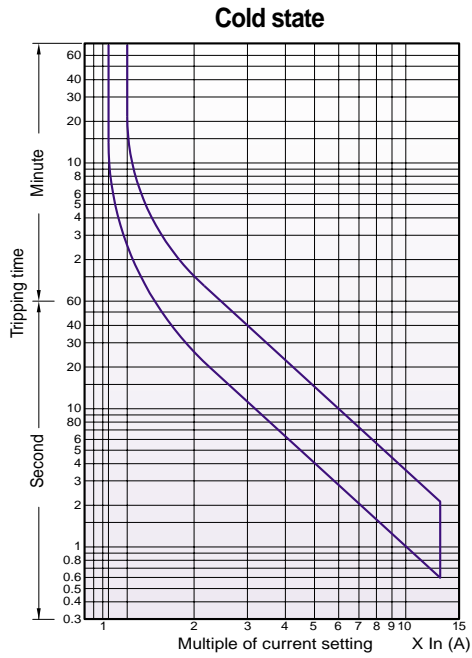


0.39kg

## Overload relay curves

Non-Differential type

CGTH-12M



## Differential type

CGT-12M

