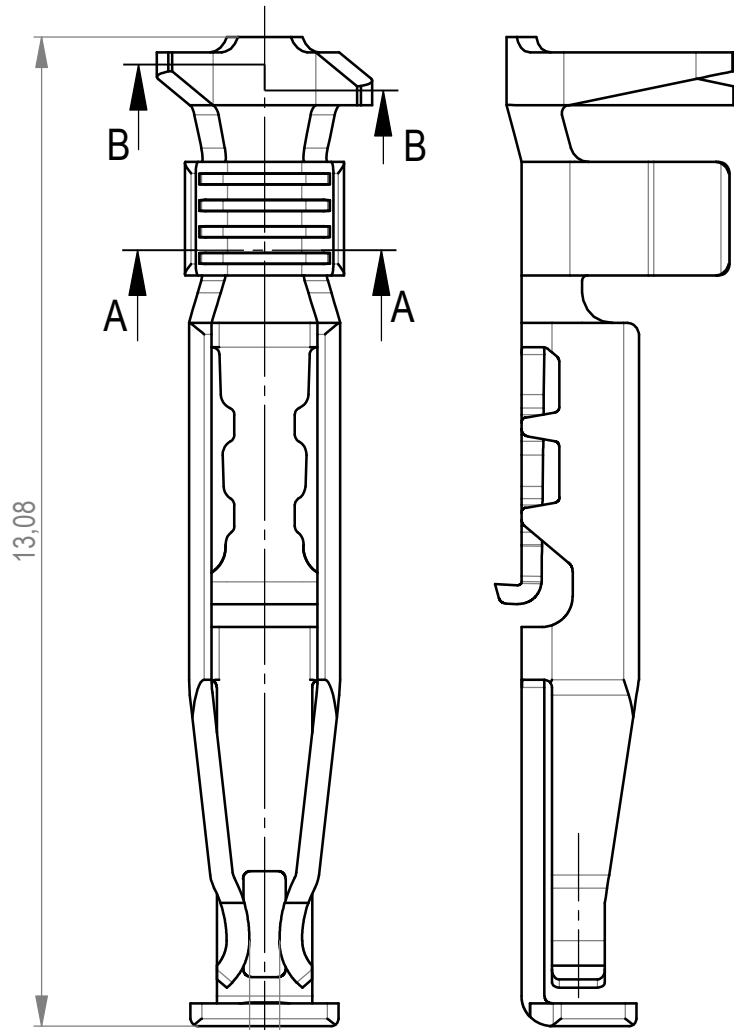
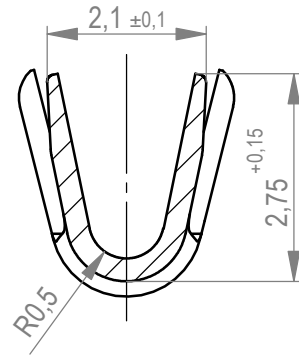


Federkontakt vereinzelt
spring contact isolated

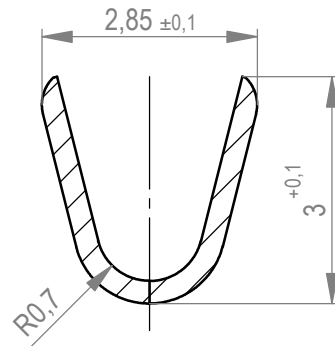


Schnitt A-A
cross section A-A
M / scale 10:1



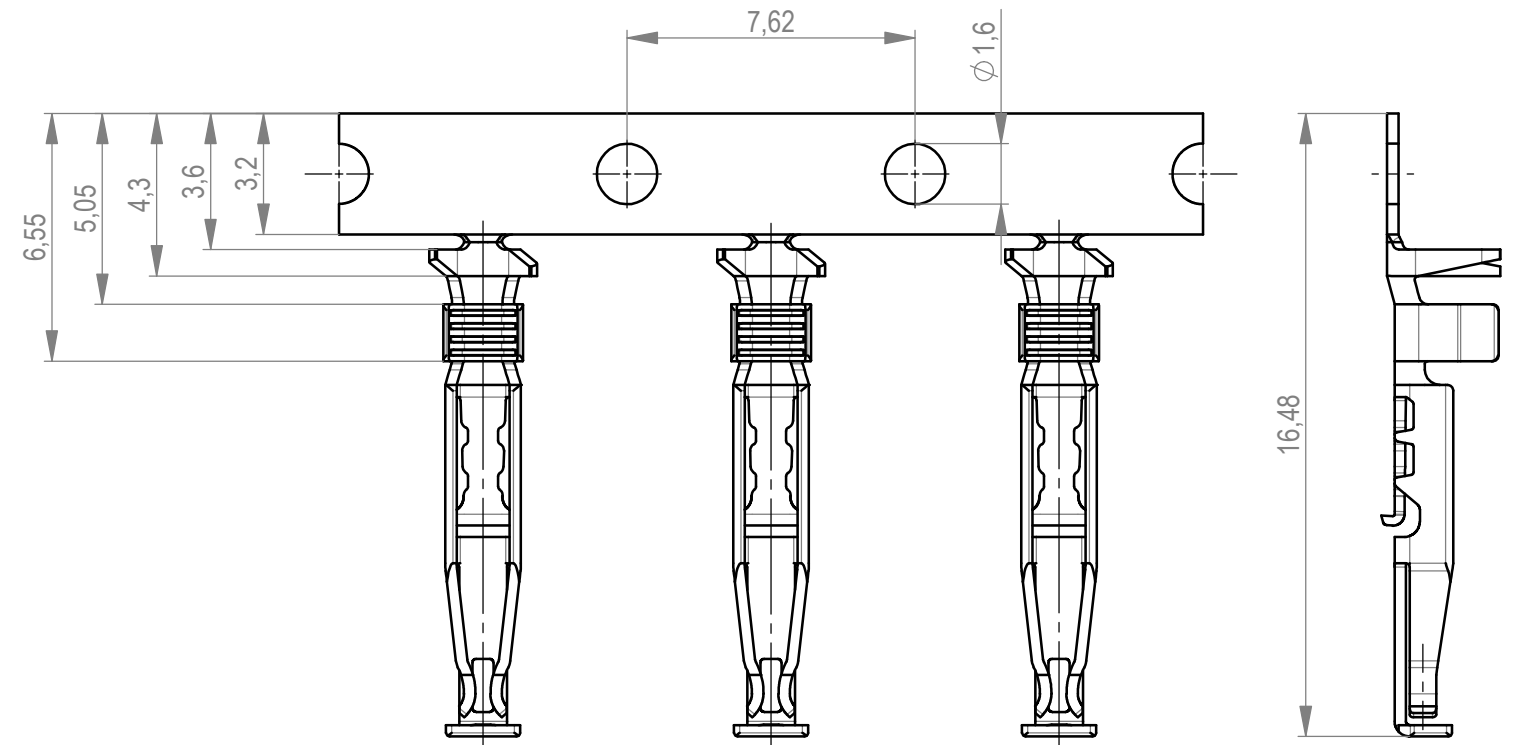
Drahtcrimp
wire crimp

Schnitt B-B
cross section B-B
M / scale 10:1



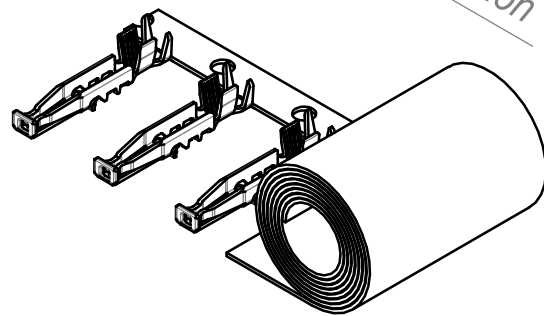
Isolationscrimp
insulation crimp

Federkontakte am Band
spring contact on carrier strip



Weitergabe sowie Vervielfältigung dieses Dokuments, Verwertung und Mitteilung seines Inhalts sind
 verboten, soweit nicht ausdrücklich gestattet. Zuwiderhandlungen verpflichten zu Schadenersatz.
 Alle Rechte für den Fall der Patent-, Gebrauchsmuster- oder Geschmacksmusterertragung vorbehalten.
 The reproduction, distribution and utilization of this document as well as the communication
 of its contents to others without express authorization is prohibited. Offenders will be held liable for the
 payment of damages. All rights reserved in the event of the grant of a patent, utility model or design.

Abspulrichtung
reel off direction



1 AWG 20 für Isolationsdurchmesser > 1,5mm
1 AWG 20 for Insulationdiameter > 1,5mm

464771	AWG 18-20 ¹	10.000	Ø 630	137	
464772		500	Ø 130	137	
Ident-Nr. part-no.	Leiterquerschnitt wire cross section	Menge quantity	Spulendurchmesser reel diameter	Anforderungsstufe class	Bemerkung remark

Dimension no.	Tolerances Dim. for Information ISO 8015		Scale 2:1	Material CuNi 2 Si
Customer drawing: All rights reserved. Only for Information. To ensure that this is the latest version of this drawing, please contact one of the ERNI companies before using.	Subject to modification without prior notice. Drawing will not be updated.		MaxiBridge Female Contact SRC-A Type 2 464770	
d Index	26.04.2022 Date		ERNI International AG Zürichstrasse 72 8306 Brüttisellen - Zürich Switzerland	1 A3
			Class	SRCROL