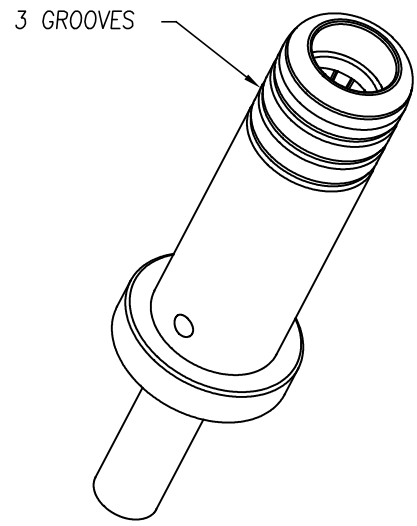
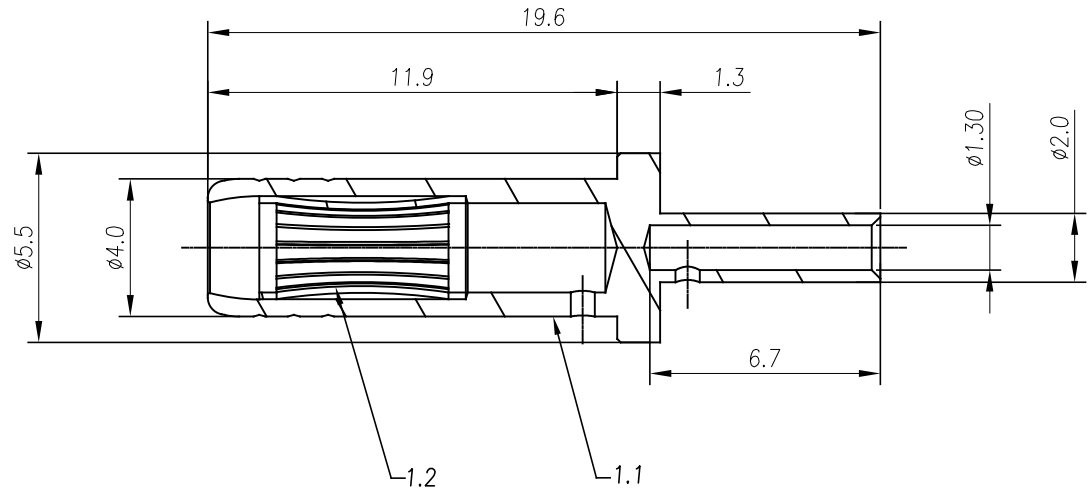


REVISIONS					
REV	ECO	DESCRIPTION	DATE	BY	APPR
A1	-	RELEASED DRAWING	APR-16-2020	BLINK	TOMMY



NOTES: (UNLESS OTHERWISE SPECIFIED)

1. MATERIAL:
 - 1.1 CONTACT BODY: COPPER ALLOY, SILVER PLATED.
 - 1.2 CROWN SRPRING CONTACT: COPPER ALLOY, GOLD FLASH.
2. SPECIFICATIONS:
 - 2.1 CURRENT RATING: 12A(MAX).
 - 2.2 TERMINATION TYPE: CRIMPING.
 - 2.3 WIRE RANGE: 18~20AWG .
3. SUITABLE SOCKET TYPE: SC000611&SC000565.
4. RoHS COMPLIANT.
5. ALL DIMENSIONS ARE FOR REFERENCE USE ONLY.

TITLE: 2.4MM FEMALE SURESOCKET™
DWG NO: SC000706
REV: A1
SH: 1
OF: 1

QUANTITY	PART NUMBER	DESCRIPTION	ITEM										
MATERIALS LIST													
<small>UNLESS OTHERWISE SPECIFIED</small> 1) All dimensions are in metric(mm). 2) Tolerances are as follows: 1 PL DEC ±0.30 Fractions ±1/64 2 PL DEC ±0.15 Angles ±1° 3 PL DEC ±0.08 3) Note reference =		<table border="1"> <thead> <tr> <th>SIGNATURES</th> <th>DATE</th> </tr> </thead> <tbody> <tr> <td>DRAWN: BLINK</td> <td>APR-15-2020</td> </tr> <tr> <td>CHECKED: ORION</td> <td>APR-17-2020</td> </tr> <tr> <td>ENGINEER:</td> <td></td> </tr> <tr> <td>APPROVAL: TOMMY</td> <td>APR-20-2020</td> </tr> </tbody> </table>		SIGNATURES	DATE	DRAWN: BLINK	APR-15-2020	CHECKED: ORION	APR-17-2020	ENGINEER:		APPROVAL: TOMMY	APR-20-2020
SIGNATURES	DATE												
DRAWN: BLINK	APR-15-2020												
CHECKED: ORION	APR-17-2020												
ENGINEER:													
APPROVAL: TOMMY	APR-20-2020												
MATERIAL SPECIFICATIONS:		<table border="1"> <tr> <td colspan="2"> Amphenol Sine Systems - www.amphenol-sine.com 44724 Morley Drive Clinton Township, MI 48036 </td> </tr> <tr> <td colspan="2"> 2.4MM, FEMALE SURESOCKET™ MACHINED SOCKET, 18-20AWG </td> </tr> </table>		Amphenol Sine Systems - www.amphenol-sine.com 44724 Morley Drive Clinton Township, MI 48036		2.4MM, FEMALE SURESOCKET™ MACHINED SOCKET, 18-20AWG							
Amphenol Sine Systems - www.amphenol-sine.com 44724 Morley Drive Clinton Township, MI 48036													
2.4MM, FEMALE SURESOCKET™ MACHINED SOCKET, 18-20AWG													
PROCESS SPECIFICATIONS:		<table border="1"> <tr> <td>SIZE</td> <td>TYPE</td> <td>DWG NO:</td> <td>REVISION</td> </tr> <tr> <td>B</td> <td>C-</td> <td>SC000706</td> <td>A1</td> </tr> </table>		SIZE	TYPE	DWG NO:	REVISION	B	C-	SC000706	A1		
SIZE	TYPE	DWG NO:	REVISION										
B	C-	SC000706	A1										
NEXT ASSY:		<table border="1"> <tr> <td>SCALE</td> <td>SHEET</td> <td>OF</td> </tr> <tr> <td>NONE</td> <td>1</td> <td>1</td> </tr> </table>		SCALE	SHEET	OF	NONE	1	1				
SCALE	SHEET	OF											
NONE	1	1											