

National Semiconductor is now part of  
Texas Instruments.

Search <http://www.ti.com/> for the latest technical  
information and details on our current products and services.

# LMC555 CMOS Timer

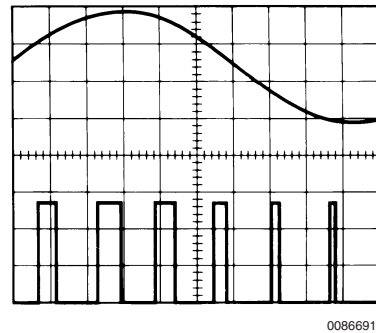
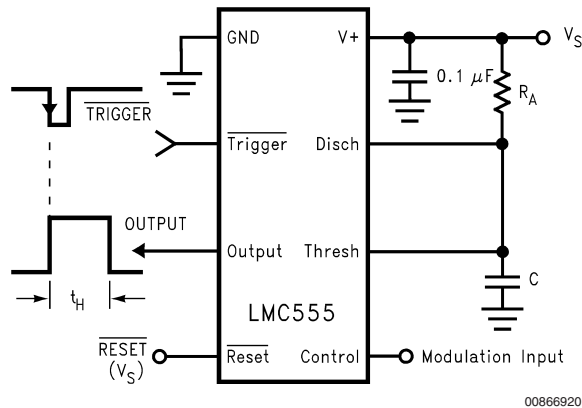
## General Description

The LMC555 is a CMOS version of the industry standard 555 series general purpose timers. In addition to the standard package (SOIC, MSOP, and MDIP) the LMC555 is also available in a chip sized package (8 Bump micro SMD) using National's micro SMD package technology. The LMC555 offers the same capability of generating accurate time delays and frequencies as the LM555 but with much lower power dissipation and supply current spikes. When operated as a one-shot, the time delay is precisely controlled by a single external resistor and capacitor. In the stable mode the oscillation frequency and duty cycle are accurately set by two external resistors and one capacitor. The use of National Semiconductor's LMCOS™ process extends both the frequency range and low supply capability.

## Features

- Less than 1 mW typical power dissipation at 5V supply
- 3 MHz astable frequency capability
- 1.5V supply operating voltage guaranteed
- Output fully compatible with TTL and CMOS logic at 5V supply
- Tested to -10 mA, +50 mA output current levels
- Reduced supply current spikes during output transitions
- Extremely low reset, trigger, and threshold currents
- Excellent temperature stability
- Pin-for-pin compatible with 555 series of timers
- Available in 8-pin MSOP Package and 8-Bump micro SMD package

## Pulse Width Modulator



## Ordering Information

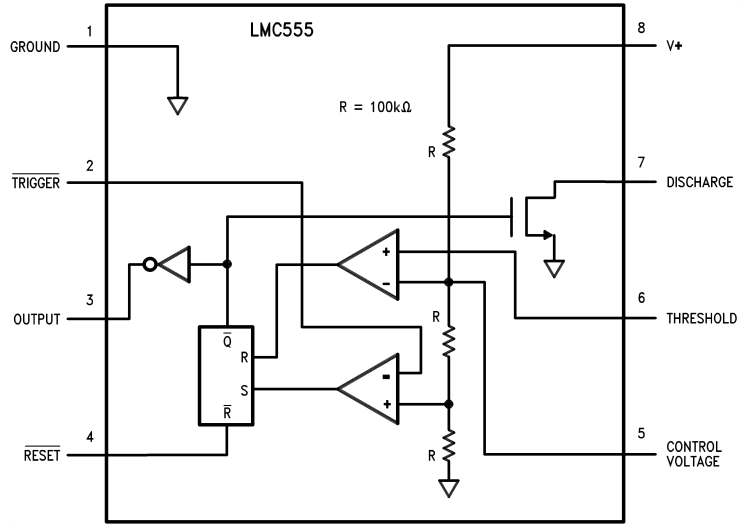
Package	Temperature Range	Package Marking	Transport Media	NSC Drawing
	Industrial -40°C to +85°C			
8-Pin Small Outline (SO)	LMC555CM	LMC555CM	Rails	M08A
	LMC555CMX		2.5k Units Tape and Reel	
8-Pin Mini Small Outline (MSOP)	LMC555CMM	ZC5	1k Units Tape and Reel	MUA08A
	LMC555CMMX		3.5k Units Tape and Reel	
8-Pin Molded Dip (MDIP)	LMC555CN	LMC555CN	Rails	N08E
8-Bump micro SMD	LMC555CBP	F1	250 Units Tape and Reel	BPA08EFB
	LMC555CBPX		3k Units Tape and Reel	
8-Bump micro SMD NOPB	LMC555CTP	F02	250 Units Tape and Reel	TPA08EFA
	LMC555CTPX		3k Units Tape and Reel	

**Note:** See Mil-datasheet MNL555-X for specifications on the military device LMC555J/883.

LMCMOS™ is a trademark of National Semiconductor Corp.

# Connection Diagrams

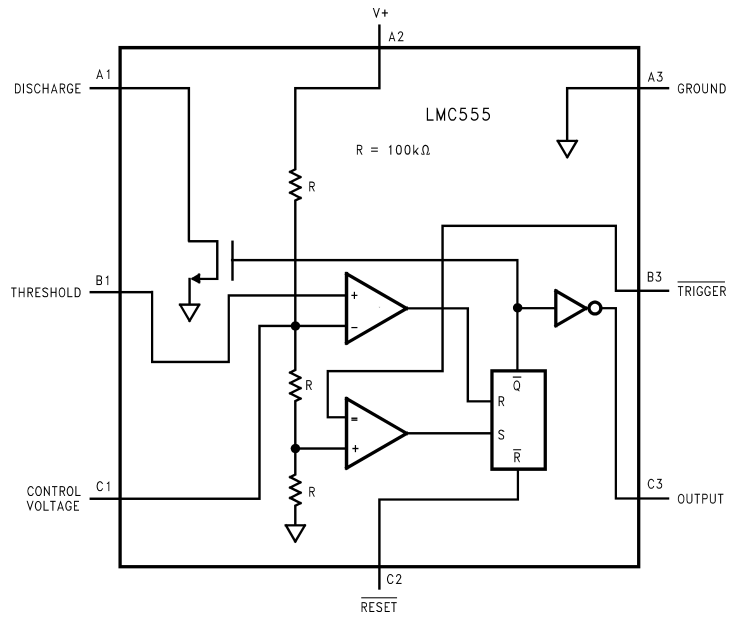
8-Pin SOIC, MSOP, MDIP



00866901

Top View

8-Bump micro SMD



00866909

Top View  
(Bump Side Down)

**Absolute Maximum Ratings** (Notes 2, 3)

If Military/Aerospace specified devices are required, please contact the National Semiconductor Sales Office/Distributors for availability and specifications.

Supply Voltage, $V^+$	15V
Input Voltages, $V_{TRIG}$ , $V_{RES}$ , $V_{CTRL}$	
$V_{THRESH}$	-0.3V to $V_S + 0.3V$
Output Voltages, $V_O$ , $V_{DIS}$	15V
Output Current $I_O$ , $I_{DIS}$	100 mA
Storage Temperature Range	-65°C to +150°C
Soldering Information	
MDIP Soldering (10 seconds)	260°C
SOIC, MSOP Vapor Phase (60 sec)	215°C
SOIC, MSOP Infrared (15 sec)	220°C

**Note:** See AN-450 "Surface Mounting Methods and Their Effect on Product Reliability" for other methods of soldering surface mount devices.

**Operating Ratings** (Notes 2, 3)

Temperature Range	-40°C to +85°C
-------------------	----------------

**Electrical Characteristics** (Notes 1, 2)

Test Circuit,  $T = 25^\circ\text{C}$ , all switches open,  $\overline{\text{RESET}}$  to  $V_S$  unless otherwise noted

Thermal Resistance ( $\theta_{JA}$ ) (Note 2)

SO, 8-Pin Small Outline	169°C/W
MSOP, 8-Pin Mini Small Outline	225°C/W
MDIP, 8-Pin Molded Dip	111°C/W
8-Bump micro SMD	220°C/W
Maximum Allowable Power Dissipation @25°C	
MDIP-8	1126 mW
SO-8	740 mW
MSOP-8	555 mW
8 Bump micro SMD	568 mW

Symbol	Parameter	Conditions	Min	Typ	Max	Units (Limits)
$I_S$	Supply Current	$V_S = 1.5V$ $V_S = 5V$ $V_S = 12V$		50 100 150	150 250 400	$\mu\text{A}$
$V_{CTRL}$	Control Voltage	$V_S = 1.5V$ $V_S = 5V$ $V_S = 12V$	0.8 2.9 7.4	1.0 3.3 8.0	1.2 3.8 8.6	V
$V_{DIS}$	Discharge Saturation Voltage	$V_S = 1.5V$ , $I_{DIS} = 1 \text{ mA}$ $V_S = 5V$ , $I_{DIS} = 10 \text{ mA}$		75 150	150 300	mV
$V_{OL}$	Output Voltage (Low)	$V_S = 1.5V$ , $I_O = 1 \text{ mA}$ $V_S = 5V$ , $I_O = 8 \text{ mA}$ $V_S = 12V$ , $I_O = 50 \text{ mA}$		0.2 0.3 1.0	0.4 0.6 2.0	V
$V_{OH}$	Output Voltage (High)	$V_S = 1.5V$ , $I_O = -0.25 \text{ mA}$ $V_S = 5V$ , $I_O = -2 \text{ mA}$ $V_S = 12V$ , $I_O = -10 \text{ mA}$	1.0 4.4 10.5	1.25 4.7 11.3		V
$V_{TRIG}$	Trigger Voltage	$V_S = 1.5V$ $V_S = 12V$	0.4 3.7	0.5 4.0	0.6 4.3	V
$I_{TRIG}$	Trigger Current	$V_S = 5V$		10		pA
$V_{RES}$	Reset Voltage	$V_S = 1.5V$ (Note 4) $V_S = 12V$	0.4 0.4	0.7 0.75	1.0 1.1	V
$I_{RES}$	Reset Current	$V_S = 5V$		10		pA
$I_{THRESH}$	Threshold Current	$V_S = 5V$		10		pA
$I_{DIS}$	Discharge Leakage	$V_S = 12V$		1.0	100	nA
t	Timing Accuracy	SW 2, 4 Closed $V_S = 1.5V$ $V_S = 5V$ $V_S = 12V$	0.9 1.0 1.0	1.1 1.1 1.1	1.25 1.20 1.25	ms
$\Delta t/\Delta V_S$	Timing Shift with Supply	$V_S = 5V \pm 1V$		0.3		%/V

## Electrical Characteristics (Notes 1, 2)

Test Circuit, T = 25°C, all switches open,  $\overline{\text{RESET}}$  to  $V_S$  unless otherwise noted (Continued)

Symbol	Parameter	Conditions	Min	Typ	Max	Units (Limits)
$\Delta t/\Delta T$	Timing Shift with Temperature	$V_S = 5V$ $-40^\circ\text{C} \leq T \leq +85^\circ\text{C}$		75		ppm/°C
$f_A$	Astable Frequency	SW 1, 3 Closed, $V_S = 12V$	4.0	4.8	5.6	kHz
$f_{MAX}$	Maximum Frequency	Max. Freq. Test Circuit, $V_S = 5V$		3.0		MHz
$t_R, t_F$	Output Rise and Fall Times	Max. Freq. Test Circuit $V_S = 5V, C_L = 10\text{ pF}$		15		ns
$t_{PD}$	Trigger Propagation Delay	$V_S = 5V$ , Measure Delay from Trigger to Output		100		ns

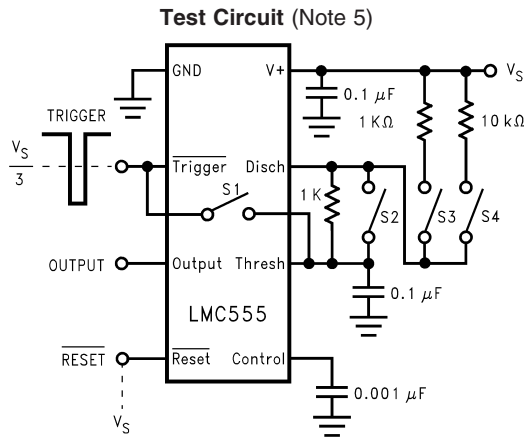
**Note 1:** All voltages are measured with respect to the ground pin, unless otherwise specified.

**Note 2:** Absolute Maximum Ratings indicate limits beyond which damage to the device may occur. Operating Ratings indicate conditions for which the device is functional, but do not guarantee specific performance limits. Electrical Characteristics state DC and AC electrical specifications under particular test conditions which guarantee specific performance limits. This assumes that the device is within the Operating Ratings. Specifications are not guaranteed for parameters where no limit is given, however, the typical value is a good indication of device performance.

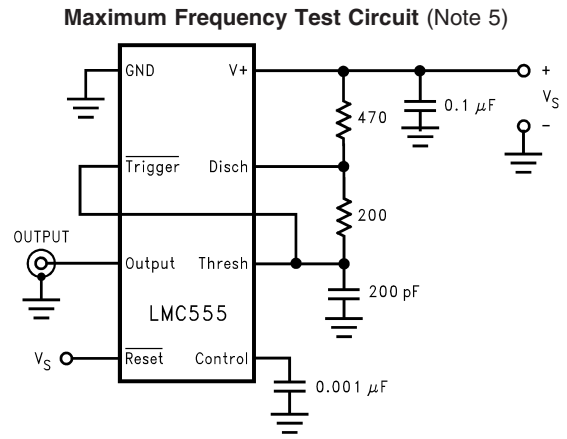
**Note 3:** See AN-450 for other methods of soldering surface mount devices, and also AN-1112 for micro SMD considerations.

**Note 4:** If the  $\overline{\text{RESET}}$  pin is to be used at temperatures of  $-20^\circ\text{C}$  and below  $V_S$  is required to be 2.0V or greater.

**Note 5:** For device pinout please refer to table 1



00866902



00866903

TABLE 1. Package Pinout Names vs. Pin Function

Pin Function	Package Pin numbers	
	8-Pin SO, MSOP, and MDIP	8-Bump micro SMD
GND	1	A3
Trigger	2	B3
Output	3	C3
Reset	4	C2
Control Voltage	5	C1
Threshold	6	B1
Discharge	7	A1
V+	8	A2

# Application Information

## MONOSTABLE OPERATION

In this mode of operation, the timer functions as a one-shot (Figure 1). The external capacitor is initially held discharged by internal circuitry. Upon application of a negative trigger pulse of less than  $1/3 V_S$  to the  $\overline{\text{Trigger}}$  terminal, the flip-flop is set which both releases the short circuit across the capacitor and drives the output high.

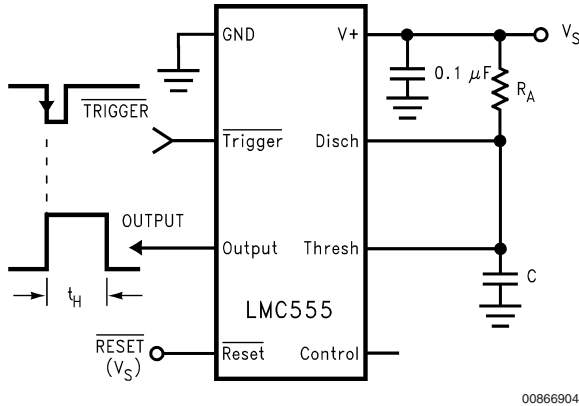
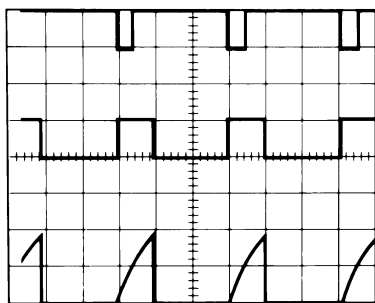


FIGURE 1. Monostable (One-Shot)

The voltage across the capacitor then increases exponentially for a period of  $t_H = 1.1 R_A C$ , which is also the time that the output stays high, at the end of which time the voltage equals  $2/3 V_S$ . The comparator then resets the flip-flop which in turn discharges the capacitor and drives the output to its low state. Figure 2 shows the waveforms generated in this mode of operation. Since the charge and the threshold level of the comparator are both directly proportional to supply voltage, the timing interval is independent of supply.



$V_{CC} = 5V$   
 TIME = 0.1 ms/Div. Top Trace: Input 5 V/Div.  
 Middle Trace: Output 5 V/Div.  
 $R_A = 9.1 k\Omega$  Bottom Trace: Capacitor Voltage 2 V/Div.  
 $C = 0.01 \mu F$

FIGURE 2. Monostable Waveforms

Reset overrides Trigger, which can override threshold. Therefore the trigger pulse must be shorter than the desired  $t_H$ . The minimum pulse width for the Trigger is 20ns, and it is 400ns for the Reset. During the timing cycle when the output is high, the further application of a trigger pulse will not effect the circuit so long as the trigger input is returned high at least 10μs before the end of the timing interval. However the circuit can be reset during this time by the application of a

negative pulse to the reset terminal. The output will then remain in the low state until a trigger pulse is again applied. When the reset function is not use, it is recommended that it be connected to  $V_+$  to avoid any possibility of false triggering. Figure 3 is a nomograph for easy determination of RC values for various time delays.

Note: In monostable operation, the trigger should be driven high before the end of timing cycle.

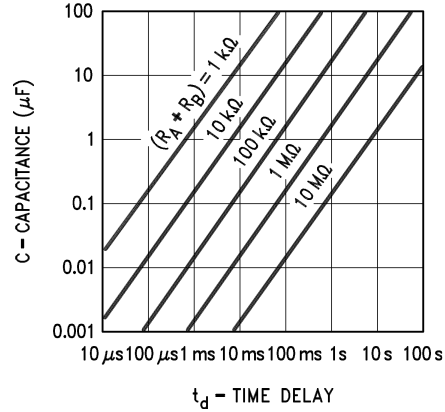


FIGURE 3. Time Delay

## ASTABLE OPERATION

If the circuit is connected as shown in Figure 4 ( $\overline{\text{Trigger}}$  and Threshold terminals connected together) it will trigger itself and free run as a multivibrator. The external capacitor charges through  $R_A + R_B$  and discharges through  $R_B$ . Thus the duty cycle may be precisely set by the ratio of these two resistors.

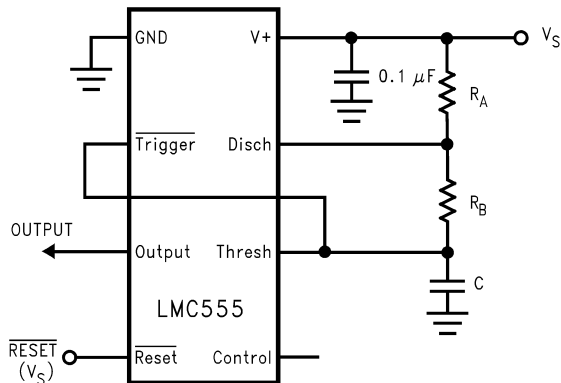
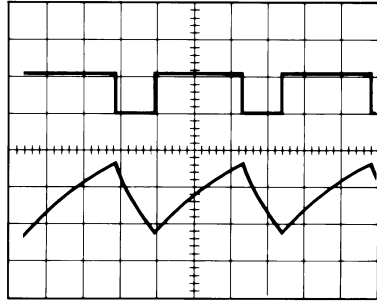


FIGURE 4. Astable (Variable Duty Cycle Oscillator)

In this mode of operation, the capacitor charges and discharges between  $1/3 V_S$  and  $2/3 V_S$ . As in the triggered mode, the charge and discharge times, and therefore the frequency are independent of the supply voltage.

Figure 5 shows the waveform generated in this mode of operation.

## Application Information (Continued)



00866912

$V_{CC} = 5V$  Top Trace: Output 5 V/Div.  
 TIME = 20  $\mu s$ /Div. Bottom Trace: Capacitor Voltage 1 V/Div.  
 $R_A = 3.9 k\Omega$   
 $R_B = 9 k\Omega$   
 $C = 0.01 \mu F$

**FIGURE 5. Astable Waveforms**

The charge time (output high) is given by

$$t_1 = 0.693 (R_A + R_B)C$$

And the discharge time (output low) by:

$$t_2 = 0.693 (R_B)C$$

Thus the total period is:

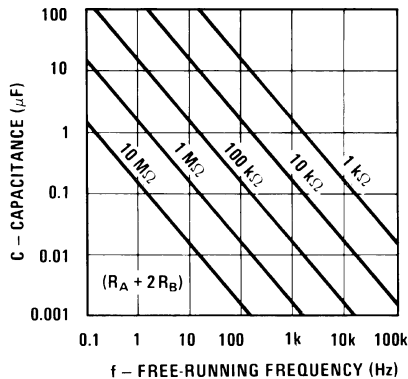
$$T = t_1 + t_2 = 0.693 (R_A + 2R_B)C$$

The frequency of oscillation is:

$$f = \frac{1}{T} = \frac{1.44}{(R_A + 2R_B)C}$$

Figure 6 may be used for quick determination of these RC Values. The duty cycle, as a fraction of total period that the output is low, is:

$$D = \frac{R_B}{R_A + 2R_B}$$

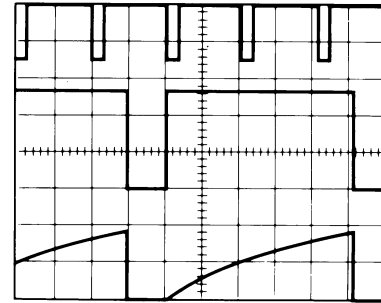


00866913

**FIGURE 6. Free Running Frequency**

## FREQUENCY DIVIDER

The monostable circuit of Figure 1 can be used as a frequency divider by adjusting the length of the timing cycle. Figure 7 shows the waveforms generated in a divide by three circuit.



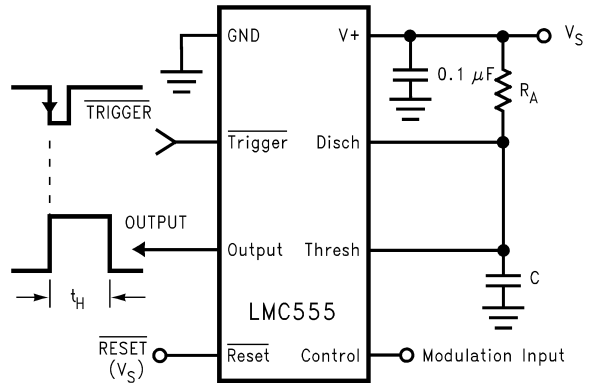
00866914

$V_{CC} = 5V$  Top Trace: Input 4 V/Div.  
 TIME = 20  $\mu s$ /Div. Middle Trace: Output 2 V/Div.  
 $R_A = 9.1 k\Omega$  Bottom Trace: Capacitor 2 V/Div.  
 $C = 0.01 \mu F$

**FIGURE 7. Frequency Divider Waveforms**

## PULSE WIDTH MODULATOR

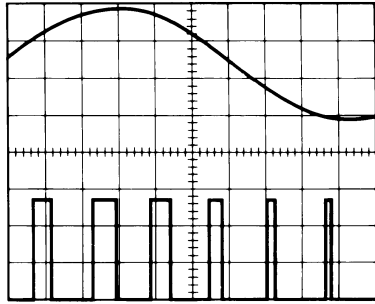
When the timer is connected in the monostable mode and triggered with a continuous pulse train, the output pulse width can be modulated by a signal applied to the Control Voltage Terminal. Figure 8 shows the circuit, and in Figure 9 are some waveform examples.



00866920

**FIGURE 8. Pulse Width Modulator**

# Application Information (Continued)

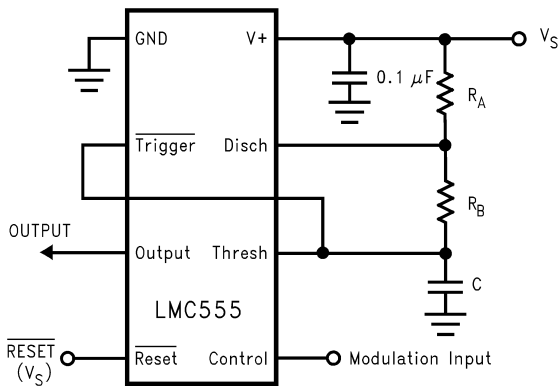


00866915  
 $V_{CC} = 5V$  Top Trace: Modulation 1 V/Div.  
 TIME = 0.2 ms/Div. Bottom Trace: Output Voltage 2 V/Div.  
 $R_A = 9.1 k\Omega$   
 $C = 0.01 \mu F$

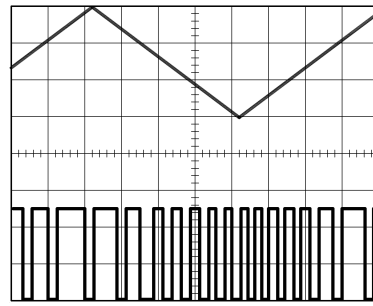
**FIGURE 9. Pulse Width Modulator Waveforms**

## PULSE POSITION MODULATOR

This application uses the timer connected for astable operation, as in *Figure 10*, with a modulating signal again applied to the control voltage terminal. The pulse position varies with the modulating signal, since the threshold voltage and hence the time delay is varied. *Figure 11* shows the waveforms generated for a triangle wave modulation signal.



**FIGURE 10. Pulse Position Modulator**



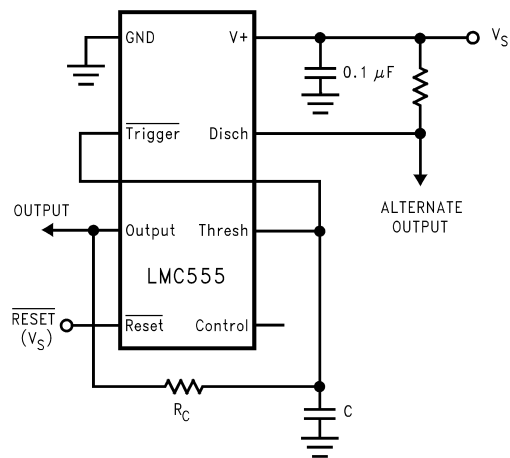
00866916  
 $V_{CC} = 5V$  Top Trace: Modulation Input 1 V/Div.  
 TIME = 0.1 ms/Div. Bottom Trace: Output Voltage 2 V/Div.  
 $R_A = 3.9 k\Omega$   
 $R_B = 3 k\Omega$   
 $C = 0.01 \mu F$

**FIGURE 11. Pulse Position Modulator Waveforms**

## 50% DUTY CYCLE OSCILLATOR

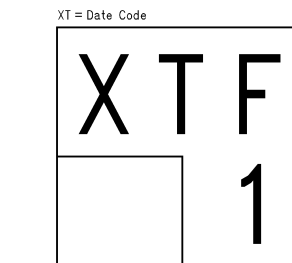
The frequency of oscillation is

$$f = 1/(1.4 R_C C)$$



**FIGURE 12. 50% Duty Cycle Oscillator**

## micro SMD Marking Orientation Top View



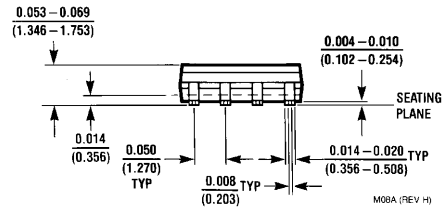
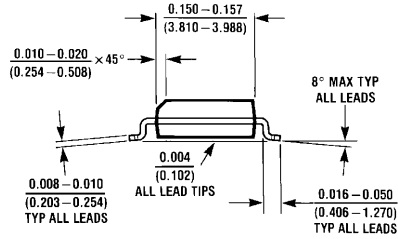
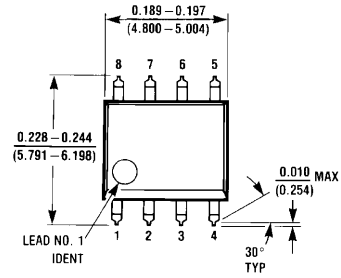
Pin A1 Corner  
 Pin A1 is identified by lower left corner with respect to the text.

Bumps are numbered counter-clockwise

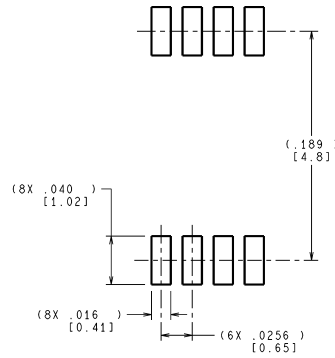
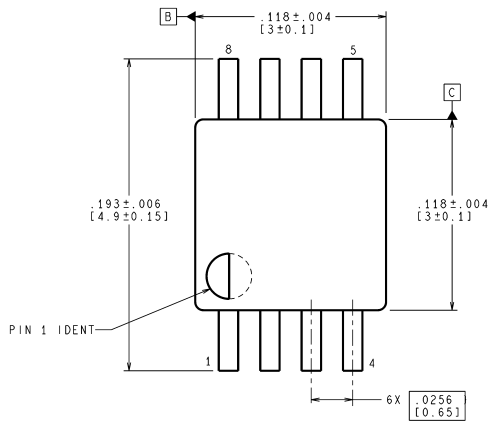
00866923



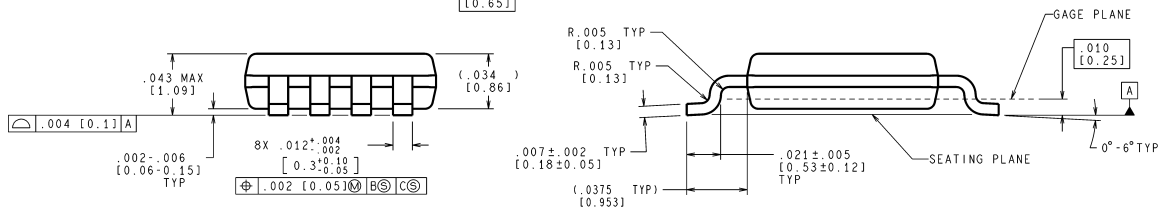
**Physical Dimensions** inches (millimeters) unless otherwise noted



**Molded Small Outline (SO) Package (M)**  
**NS Package Number M08A**



**LAND PATTERN RECOMMENDATION**

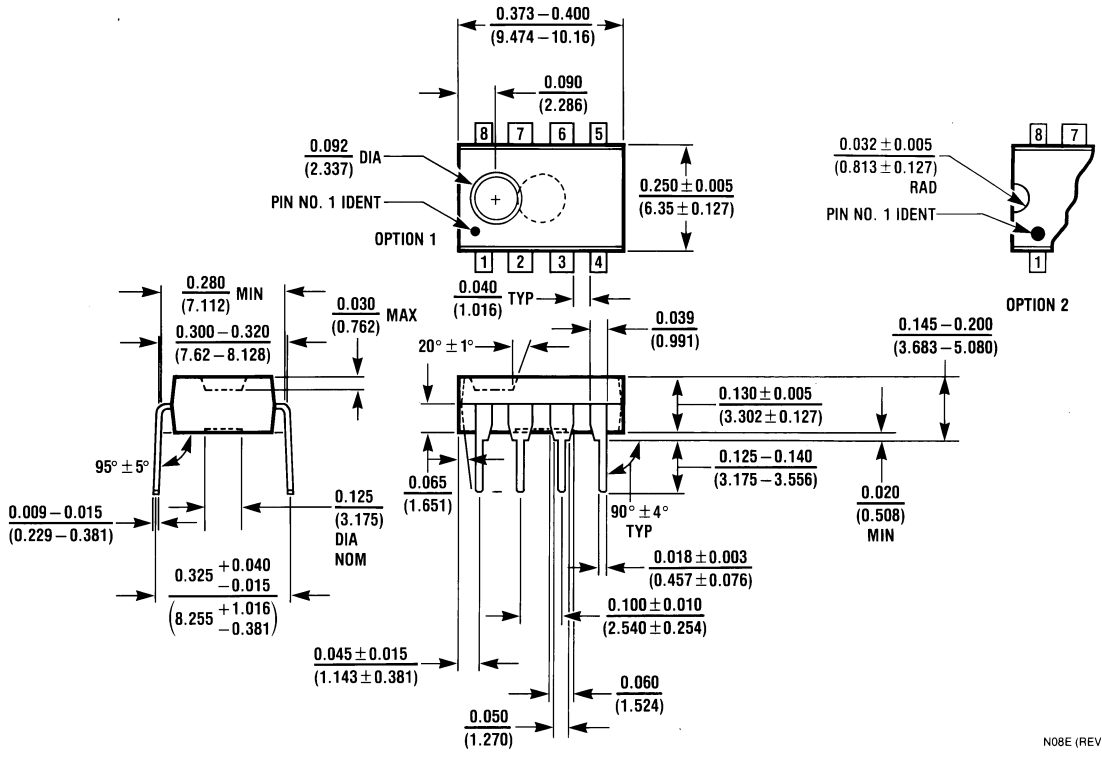


CONTROLLING DIMENSION IS INCH  
VALUES IN [ ] ARE MILLIMETERS

MUA08A (Rev E)

**8-Pin (0.118" Wide) Molded Mini Small Outline Package**  
**NS Package Number MUA08A**

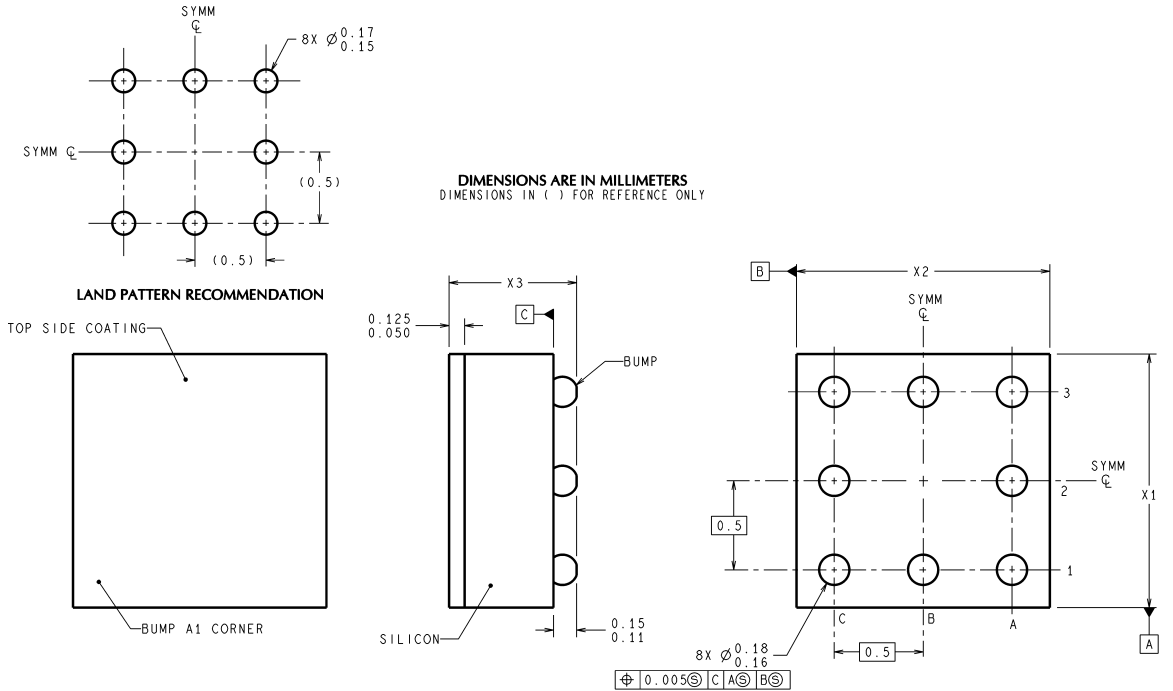
**Physical Dimensions** inches (millimeters) unless otherwise noted (Continued)



**Molded Dual-in-line Package (N)**  
**NS Package Number N08E**

N08E (REV F)

**Physical Dimensions** inches (millimeters) unless otherwise noted (Continued)

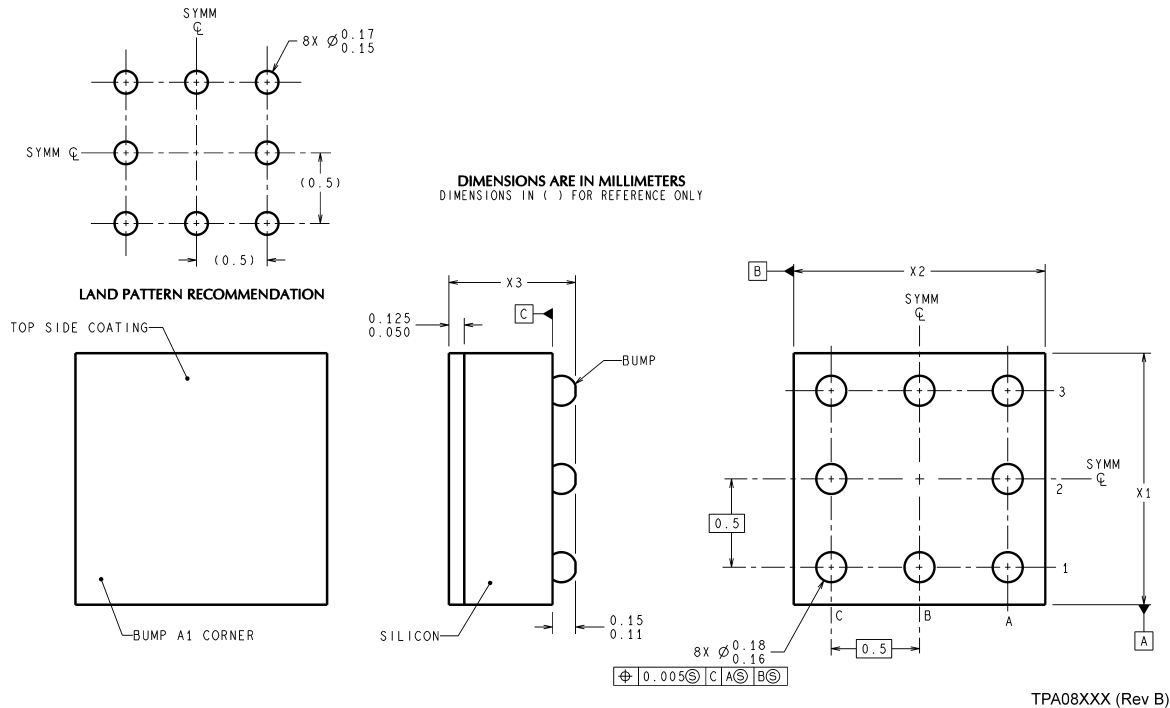


NOTES: UNLESS OTHERWISE SPECIFIED

1. EPOXY COATING
2. 63Sn/37Pb EUTECTIC BUMP
3. RECOMMEND NON-SOLDER MASK DEFINED LANDING PAD.
4. PIN A1 IS ESTABLISHED BY LOWER LEFT CORNER WITH RESPECT TO TEXT ORIENTATION. REMAINING PINS ARE NUMBERED COUNTERCLOCKWISE.
5. XXX IN DRAWING NUMBER REPRESENTS PACKAGE SIZE VARIATION WHERE X1 IS PACKAGE WIDTH, X2 IS PACKAGE LENGTH AND X3 IS PACKAGE HEIGHT.
6. REFERENCE JEDEC REGISTRATION MO-211, VARIATION BC.

**8-Bump micro SMD Package**  
**NS Package Number BPA08EFB**  
**X<sub>1</sub> = 1.387 X<sub>2</sub> = 1.412 X<sub>3</sub> = 0.850**

**Physical Dimensions** inches (millimeters) unless otherwise noted (Continued)



NOTES: UNLESS OTHERWISE SPECIFIED

1. EPOXY COATING
2. FOR SOLDER BUMP COMPOSITION, SEE "SOLDER INFORMATION" IN THE PACKAGING SECTION OF THE NATIONAL SEMICONDUCTOR WEB PAGE ([www.national.com](http://www.national.com)).
3. RECOMMEND NON-SOLDER MASK DEFINED LANDING PAD.
4. PIN A1 IS ESTABLISHED BY LOWER LEFT CORNER WITH RESPECT TO TEXT ORIENTATION.
5. XXX IN DRAWING NUMBER REPRESENTS PACKAGE SIZE VARIATION WHERE X1 IS PACKAGE WIDTH, X2 IS PACKAGE LENGTH AND X3 IS PACKAGE HEIGHT.
6. REFERENCE JEDEC REGISTRATION MO-211, VARIATION BC.

**8-Bump micro SMD Package**  
**NS Package Number TPA08EFA**  
**X<sub>1</sub> = 1.387 X<sub>2</sub> = 1.412 X<sub>3</sub> = 0.500**

National does not assume any responsibility for use of any circuitry described, no circuit patent licenses are implied and National reserves the right at any time without notice to change said circuitry and specifications.

For the most current product information visit us at [www.national.com](http://www.national.com).

**LIFE SUPPORT POLICY**

NATIONAL'S PRODUCTS ARE NOT AUTHORIZED FOR USE AS CRITICAL COMPONENTS IN LIFE SUPPORT DEVICES OR SYSTEMS WITHOUT THE EXPRESS WRITTEN APPROVAL OF THE PRESIDENT AND GENERAL COUNSEL OF NATIONAL SEMICONDUCTOR CORPORATION. As used herein:

1. Life support devices or systems are devices or systems which, (a) are intended for surgical implant into the body, or (b) support or sustain life, and whose failure to perform when properly used in accordance with instructions for use provided in the labeling, can be reasonably expected to result in a significant injury to the user.
2. A critical component is any component of a life support device or system whose failure to perform can be reasonably expected to cause the failure of the life support device or system, or to affect its safety or effectiveness.

**BANNED SUBSTANCE COMPLIANCE**

National Semiconductor follows the provisions of the Product Stewardship Guide for Customers (CSP-9-111C2) and Banned Substances and Materials of Interest Specification (CSP-9-111S2) for regulatory environmental compliance. Details may be found at: [www.national.com/quality/green](http://www.national.com/quality/green).

Lead free products are RoHS compliant.



**National Semiconductor**  
**Americas Customer**  
**Support Center**  
 Email: [new.feedback@nsc.com](mailto:new.feedback@nsc.com)  
 Tel: 1-800-272-9959

**National Semiconductor**  
**Europe Customer Support Center**  
 Fax: +49 (0) 180-530 85 86  
 Email: [europe.support@nsc.com](mailto:europe.support@nsc.com)  
 Deutsch Tel: +49 (0) 69 9508 6208  
 English Tel: +44 (0) 870 24 0 2171  
 Français Tel: +33 (0) 1 41 91 8790

**National Semiconductor**  
**Asia Pacific Customer**  
**Support Center**  
 Email: [ap.support@nsc.com](mailto:ap.support@nsc.com)

**National Semiconductor**  
**Japan Customer Support Center**  
 Fax: 81-3-5639-7507  
 Email: [jpn.feedback@nsc.com](mailto:jpn.feedback@nsc.com)

# LMC555 CMOS Timer



[PRODUCTS](#)   [DESIGN](#)   [ORDER](#)   [COMPANY](#)

## LMC555 - CMOS Timer



[Datasheet](#)   [Packaging](#)   [Samples & Pricing](#)   [Reliability](#)   [Design Tools](#)   [Knowledge Base](#)

## Features

---

- Less than 1 mW typical power dissipation at 5V supply
- 3 MHz astable frequency capability
- 1.5V supply operating voltage guaranteed
- Output fully compatible with TTL and CMOS logic at 5V supply
- Tested to -10 mA, +50 mA output current levels
- Reduced supply current spikes during output transitions
- Extremely low reset, trigger, and threshold currents
- Excellent temperature stability
- Pin-for-pin compatible with 555 series of timers
- Available in 8-pin MSOP Package and 8-Bump micro SMD package

## General Description

---

The LMC555 is a CMOS version of the industry standard 555 series general purpose timers. [More...](#)

## Typical Application

---

[See Datasheet for Application Information](#)

## Parametric Table [expand](#)

---

Temperature Min	-40 deg C
Temperature Max	85 deg C

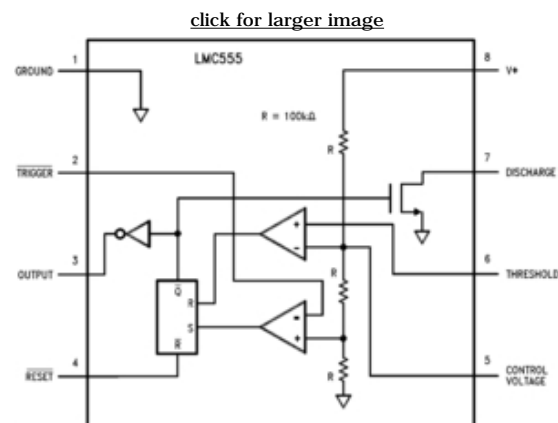
## Additional Resources

---

[Design Tools \(see below\)](#)

## Connection Diagram

---





[RoHS Compliance Information](#)

Size in Kbytes

Date



LMC555 CMOS Timer	767 Kbytes	25-May-06	<a href="#">View Online Download</a>
LMC555 CMOS Timer ( <b>Japanese</b> ) 本サイトの日本語版データシートは最新版ではない場合があります。ご検討およびご採用に当たっては、最新の英語版データシートを必ずご確認ください。	513 Kbytes		<a href="#">ダウンロード</a>
LMC555 Mil-Aero Datasheet MNL555-X	160 Kbytes		<a href="#">Download</a>

If you have trouble printing or viewing PDF file(s), see [Printing Problems](#).

**Package Availability, Models, Samples & Pricing**

Part Number	Package							Factory Lead Time		Models	Samples & Electronic Orders	Budgetary Pricing		Std Pack Size	Package Marking Format
	Type	Pins	Spec.	MSL Rating	Peak Reflow	RoHS Report	CAD Symbols	Weeks	Qty			Qty	\$US each		
LMC555CBPX	<a href="#">MICRO SMD</a>	8	STD	1	260	<a href="#">RoHS</a>	N/A	Lifetime buy		N/A	<a href="#">Buy Now</a>	1K+	\$0.48	reel of 3000	<a href="#">XVF</a> <a href="#">L1</a>
								12 weeks	15000						
LMC555CM	<a href="#">SOIC NARROW</a>	8	STD	1	235	<a href="#">RoHS</a>	N/A	Full production		N/A	<a href="#">Samples</a> <a href="#">Buy Now</a>	1K+	\$0.43	rail of 95	<a href="#">NSZXTT</a> <a href="#">LMC</a> <a href="#">555CM</a>
			NOPB	1	260			6 weeks	5000						
LMC555CMX	<a href="#">SOIC NARROW</a>	8	STD	1	235	<a href="#">RoHS</a>	N/A	Full production		N/A	<a href="#">Buy Now</a>	1K+	\$0.43	reel of 2500	<a href="#">NSZXTT</a> <a href="#">LMC</a> <a href="#">555CM</a>
			NOPB	1	260			6 weeks	5000						
LMC555CMM	<a href="#">MINI SOIC</a>	8	STD	1	260	<a href="#">RoHS</a>	N/A	Full production		N/A	<a href="#">Samples</a> <a href="#">Buy Now</a>	1K+	\$0.50	reel of 1000	<a href="#">ZXTT</a> <a href="#">ZC5</a>
			NOPB	1	260			8 weeks	5000						
LMC555CMMX	<a href="#">MINI SOIC</a>	8	STD	1	260	<a href="#">RoHS</a>	N/A	Full production		N/A	<a href="#">Buy Now</a>	1K+	\$0.50	reel of 3500	<a href="#">ZXTT</a> <a href="#">ZC5</a>
			NOPB	1	260			8 weeks	7500						



LMC555CN	<a href="#">MDIP</a>	8	STD	1	NA	<a href="#">RoHS</a>	N/A	Full production		N/A	 	1K+	\$0.54	rail of 40	<a href="#">NSUZXYTT</a> <a href="#">LMC555CN</a>
			NOPB	1	NA			6 weeks	3000						
LMC555CTP	<a href="#">MICRO SMD</a>	8	NOPB	1	260	<a href="#">RoHS</a>	N/A	Full production		N/A	 	1K+	\$0.59	reel of 250	<a href="#">XVF</a> <a href="#">I02</a>
								6 weeks							
LMC555CTPX	<a href="#">MICRO SMD</a>	8	NOPB	1	260	<a href="#">RoHS</a>	N/A	Full production		N/A		1K+	\$0.59	reel of 3000	<a href="#">XVF</a> <a href="#">I02</a>
								6 weeks							
LMC555 MDA	<a href="#">Unpackaged Die</a>							Full production		N/A			<a href="#">CALL</a>	tray of N/A	:
		N/A		N/A											
LMC555 MD8	<a href="#">Unpackaged Die</a>							Full production		N/A			<a href="#">CALL</a>	tray of N/A	:
		N/A		N/A											
5962-8950305PA (LMC555J/883)	<a href="#">CERDIP</a>	8				<a href="#">RoHS</a>	N/A	<a href="#">Obsolete</a>		N/A		50+	\$11.70	rail of 40	<a href="#">NSZSSXXYYA</a> <a href="#">LMC555J/883</a> <a href="#">Q 5962-8950305PA</a>
			8 weeks		500										

### Obsolete Parts

Obsolete Part	Alternate Part or Supplier	Source	Last Time Buy Date
LMC555CBP	NONE	NONE	07/24/2009
LMC555CBPX	NONE	NONE	07/24/2009
LMC555G-R DWF	NONE	NONE	04/04/95
LMC555H/883	LMC555J/883	NATIONAL SEMICONDUCTOR	09/08/98
LMC555J/883	LM555J/883	NONE	12/03/2008

### General Description

The LMC555 is a CMOS version of the industry standard 555 series general purpose timers. In addition to the standard package (SOIC, MSOP, and MDIP) the LMC555 is also available in a chip sized package (8 Bump micro SMD) using National's micro SMD package technology. The LMC555 offers the same capability of generating accurate time delays and frequencies as the LM555 but with much lower power dissipation and supply current spikes. When operated as a one-shot, the time delay is precisely controlled by a single external resistor and capacitor. In the stable mode the oscillation frequency and duty cycle are accurately set by two external resistors and one capacitor. The use of National Semiconductor's LMC MOS™ process extends both the frequency range and low supply capability.


### Reliability Metrics

Part Number	Process	EFR Reject	EFR Sample Size	PPM *	LTA Rejects	LTA Device Hours	FITS	MTTF (Hours)
LMC555 MD8	CMOS	0	16925	0	0	2065000	2	585949388
LMC555 MDA	P2CMOS	0	45010	0	1	3767500	3	484371054
LMC555CBPX	P2CMOS	0	45010	0	1	3767500	3	484371054
LMC555CM	P2CMOS	0	45010	0	1	3767500	3	484371054
LMC555CMM	P2CMOS	0	45010	0	1	3767500	3	484371054
LMC555CMMX	P2CMOS	0	45010	0	1	3767500	3	484371054
LMC555CMX	P2CMOS	0	45010	0	1	3767500	3	484371054
LMC555CN	P2CMOS	0	45010	0	1	3767500	3	484371054
LMC555CTP	P2CMOS	0	45010	0	1	3767500	3	484371054
LMC555CTPX	P2CMOS	0	45010	0	1	3767500	3	484371054
LMC555J/883	CMOS	0	16925	0	0	2065000	2	585949388

Note: The Early Failure Rates were calculated as point estimates. The Long Term Failure Rates were calculated at 60% confidence using the Arrhenius equation at 0.7eV activation energy and derating the assumed stress temperature of 150°C to an application temperature of 55°C.


For more information on Reliability Metrics, please click [here](#).

### Design Tools

Title	Size in Kbytes	Date		
LMC555CBP Micro SMD Qualification Package	4172 Kbytes	17-Apr-2000	<a href="#">View Online</a>	<a href="#">Download</a>

If you have trouble printing or viewing PDF file(s), see [Printing Problems](#).

### Application Notes

Title	Size in Kbytes	Date	
<b>AN-828:</b> Application Note 828 Increasing the High Speed Torque of Bipolar Stepper Motors	808 Kbytes	1-Oct-02	<a href="#">Download</a>
<b>AN-828 (Japanese):</b> Application Note 828 Increasing the High Speed Torque of Bipolar Stepper Motors 本サイトの日本語アプリケーション・ノートは最新版でない場合があります。ご検討およびご採用にあたっては、必ず最新の英語版アプリケーション・ノートをご確認ください。	362 Kbytes		<a href="#">ダウンロード</a>
<b>AN-681:</b> PC Mouse Implementation Using COP800	525 Kbytes	5-Aug-95	<a href="#">Download</a>
<b>AN-460:</b> Application Note 460 LM34/LM35 Precision Monolithic Temperature Sensors	306 Kbytes	20-Sep-02	<a href="#">Download</a>

**AN-460 (Japanese):** Application Note 460 LM34/LM35 Precision Monolithic Temperature Sensors

本サイトの日本語アプリケーション・ノートは最新版でない場合があります。ご検討およびご採用にあたっては、必ず最新の英語版アプリケーション・ノートをご確認ください。

322 Kbytes

[ダウンロード](#)

If you have trouble printing or viewing PDF file(s), see [Printing Problems](#).

*[Information as of 22-Dec-2008]*

[Site Map](#) | [About "Cookies"](#) | [National is ISO/TS16949 Certified](#) | [Privacy/Security Statement](#) | [Contact Us/Feedback](#) | [RSS Feed](#) | [Site Terms & Conditions of Use](#)

Copyright 2008© National Semiconductor Corporation