

General-Purpose Timers

ICM7555/ICM7556

General Description

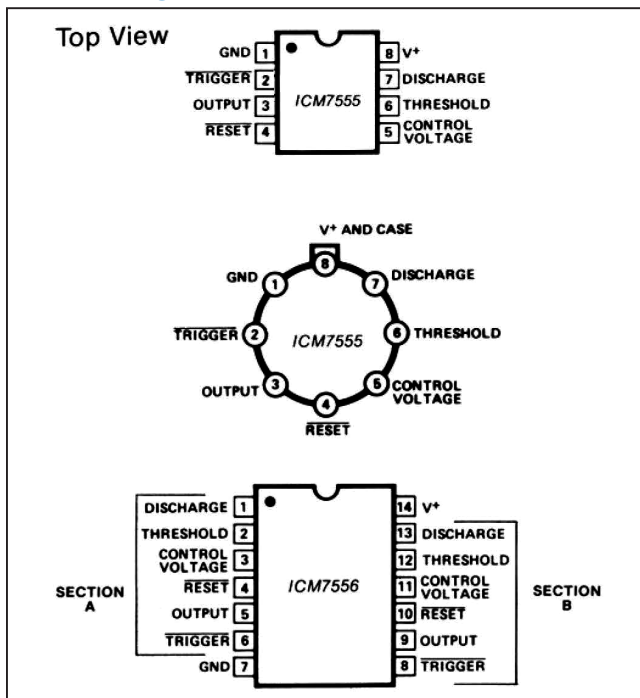
The Maxim ICM7555 and ICM7556 are respectively single and dual general-purpose RC timers capable of generating accurate time delays or frequencies. The primary feature is an extremely low supply current, making this device ideal for battery-powered systems. Additional features include low $\overline{\text{THRESHOLD}}$, $\overline{\text{TRIGGER}}$, and $\overline{\text{RESET}}$ currents, a wide operating supply voltage range, and improved performance at high frequencies.

These CMOS low-power devices offer significant performance advantages over the standard 555 and 556 bipolar timers. Low-power consumption, combined with the virtually nonexistent current spike during output transitions, make these timers the optimal solution in many applications.

Applications

- Pulse Generator
- Precision Timing
- Time Delay Generation
- Pulse-Width Modulation
- Pulse Position Modulation
- Sequential Timing
- Missing Pulse Detector

Pin Configurations



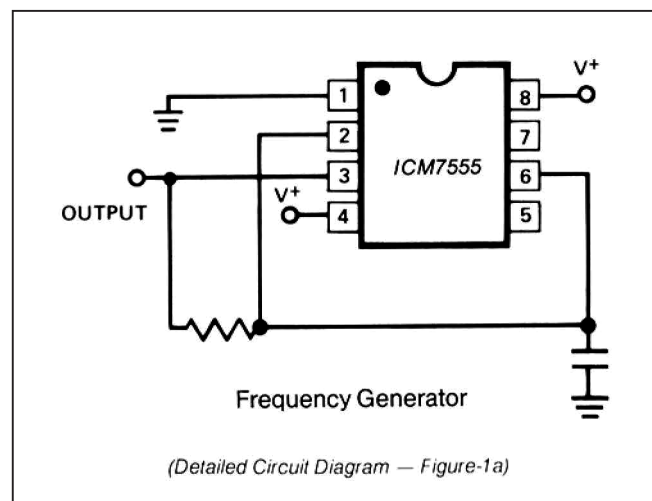
Features

- Improved 2nd Source (See 4th Page for Maxim Advantage)
- Wide Supply Voltage Range: 2V to 18V
- No Crowbarbing of Supply During Output Transition
- Adjustable Duty Cycle
- Low $\overline{\text{THRESHOLD}}$, $\overline{\text{TRIGGER}}$, and $\overline{\text{RESET}}$ Currents
- TTL Compatible
- Monolithic, Low-Power CMOS Design

Ordering Information

PART	TEMP RANGE	PIN-PACKAGE
ICM7555ESA	-40°C to +85°C	8 SO
ICM7555IPA	-20°C to +85°C	8 PDIP
ICM7555ISA	-20°C to +85°C	8 SO
ICM7555MJA/HR	-55°C to +125°C	8 CERDIP
ICM7555/D	0°C to +70°C	Dice
ICM7556IPD	-20°C to +85°C	14 PDIP
ICM7556ISD	-20°C to +85°C	14 SO
ICM7556MJD	-55°C to +125°C	14 CERDIP
ICM7556/D	0°C to +70°C	Dice

Typical Operating Circuit



Absolute Maximum Ratings (Note 1)

Supply Voltage	+18V	ICM75551SA (Maxim)	-20°C to +85°C
Input Voltage TRIGGER		ICM75551PA.....	-20°C to +85°C
Control Voltage THRESHOLD	< V+ +0.3V to ≥ -0.3V	ICM75551TV.....	-20°C to +85°C
RESET		ICM75561PD	-20°C to +85°C
Output Current.....	100mA	ICM7555MTV.....	-55°C to +125°C
Power Dissipation (Note 2)		ICM7556MJD.....	-55°C to +125°C
ICM7556	300mW	Storage Temperature.....	-65°C to +150°C
ICM7555	200mW	Lead Temperature (soldering, 60s)	+300°C
Operating Temperature Range			
ICM75551JA (Maxim)	-20°C to +85°C		

Note 1: Due to the SCR structure inherent in the CMOS process used to fabricate these devices, connecting any terminal to a voltage greater than V+ + 0.3V or less than V- - 0.3V may cause destructive latchup. For this reason it is recommended that no inputs from external sources not operating from the same power supply be applied to the device before its power supply is established in multiple systems. The supply of the ICM7555/ICM7556 must be turned on first.

Note 2: Junction temperatures should not exceed 135°C and the power dissipation must be limited to 20mW at +125°C. Below 125°C, power dissipation may be increased to 300mW at 25°C. Derating factor is approximately 3mW/°C (ICM7556) or 2mW/°C (ICM7555).

Stresses beyond those listed under "Absolute Maximum Ratings" may cause permanent damage to the device. These are stress ratings only, and functional operation of the device at these or any other conditions beyond those indicated in the operational sections of the specifications is not implied. Exposure to absolute maximum rating conditions for extended periods may affect device reliability.

Electrical Characteristics

(V+ = +2V to +15V; T_A = +25°C, unless otherwise noted.)

PARAMETER	SYMBOL	CONDITIONS	MIN	TYP	MAX	UNITS
Supply Voltage	V+	-20°C ≤ T _A ≤ +70°	2		18	V
		-55°C ≤ T _A ≤ +125°	3		16	
Supply Current (Note 3)	I+	ICM7555	V+ = 2V	60	200	μA
			V+ = 18V	120	300	
		ICM7556	V+ = 2V	120	400	
			V+ = 18V	240	600	
Timing Error		R _A , R _B = 1kΩ to 100kΩ, C = 0.1μF 5V ≤ V+ ≤ 15V				
Initial Accuracy		(Note 4)		2.0	5.0	%
Drift with Temperature		(Note 4)	V+ = 5V	50		ppm/°C
			V+ = 10V	75		
			V+ = 15V	100		
Drift with Supply Voltage		V+ = 5V		1.0	3.0	%/V
Threshold Voltage	V _{TH}	V+ = 5V	0.63	0.66	0.67	V+
Trigger Voltage	V _{TRIG}	V+ = 5V	0.29	0.33	0.34	V+
Trigger Current	I _{TRIG}	V+ = 18V		50		pA
		V+ = 5V		10		
		V+ = 2V		1		
Threshold Current	I _{TH}	V+ = 18V		50		pA
		V+ = 5V		10		
		V+ = 2V		1		

Electrical Characteristics (continued)

(V+ = +2V to +15V; T_A = +25°C, unless otherwise noted.)

PARAMETER	SYMBOL	CONDITIONS			MIN	TYP	MAX	UNITS
Reset Current	I _{RST}	V _{REST} = Ground	V+ = 18V			100		pA
			V+ = 5V			20		
			V+ = 2V			2		
Reset Voltage	V _{RST}	V+ = 18V			0.4	0.7	1.0	V
		V+ = 2V			0.4	0.7	1.0	
Control Voltage Lead	V _{CV}	V+ = 5V			0.62	0.66	0.67	V
Output Voltage Drop	V _O	Output Lo	V+ = 18V	I _{SINK} = 3.2mA		0.1	0.4	V
			V+ = 5V	I _{SINK} = 3.2mA		0.15	0.4	
		Output Hi	V+ = 18V	I _{SOURCE} = 1.0mA	17.25	17.8		
			V+ = 5V	I _{SOURCE} = 1.0mA	4.0	4.5		
Rise Time of Output	t _r	R _L = 10MΩ	C _L = 10pF	V+ = 5V	35	40	75	ns
Fall Time of Output	t _f	R _L = 10MΩ	C _L = 10pF	V+ = 5V	35	40	75	
Guaranteed Max Osc. Frequency	f _{max}	Astable operation			500			kHz

Note 3: The supply current value is essentially independent of the $\overline{\text{TRIGGER}}$, $\overline{\text{THRESHOLD}}$, and $\overline{\text{RESET}}$ voltages.

Note 4: Parameter is not 100% tested. Majority of all units meet this specification.

Maxim Advantage

- Lower Supply Current
- Increased Output Source Current
- Guaranteed THRESHOLD, TRIGGER, and RESET Input Currents
- Guaranteed Discharge Output Voltage
- Supply Current Guaranteed Over Temperature
- Significantly Improved ESD Protection (Note 6)
- Maxim Quality and Reliability

Absolute Maximum Ratings

This device conforms to the Absolute Maximum Ratings on adjacent page.

Electrical Characteristics

Specifications below satisfy or exceed all “tested” parameters on adjacent page.

(V+ = +2V to +15V; T_A = +25°C, unless otherwise noted.)

PARAMETER	SYMBOL	CONDITIONS	MIN	TYP	MAX	UNITS	
Supply Voltage	V+	-20°C ≤ T _A ≤ +85°	2		16.5	V	
		-55°C ≤ T _A ≤ +125°	3		16		
Supply Current (Note 3)	I+	ICM7555	V+ = 2V to 16.5V; T _A = +25°C		30	250	μA
			V+ = 5V; T _A = +25°C			120	
			V+ = 5V; -20°C ≤ T _A ≤ +85°C			250	
			V+ = 5V; -55°C ≤ T _A ≤ +125°C			300	
		ICM7556	V+ = 2V to 16.5V; T _A = +25°C		60	500	μA
			V+ = 5V; T _A = +25°C			240	
			V+ = 5V; -20°C ≤ T _A ≤ +85°C			500	
			V+ = 5V; -55°C ≤ T _A ≤ +125°C			600	
Timing Error (Note 4)		Circuit of Figure 1b; R _A = R _B 100kΩ, C = 0.1μF, V+ = 5V					
Initial Accuracy (Note 5)				2.0	5.0	%	
Drift with Temperature		V+ = 5V		50		ppm/°C	
		V+ = 10V		75			
		V+ = 15V		100			
Drift with Supply Voltage		V+ = 5V		1.0	3.0	%V	
Threshold Voltage	V _{TH}	V+ = 5V	0.63	0.66	0.67	V+	
Trigger Voltage	V _{TRIG}	V+ = 5V	0.29	0.33	0.34	V+	
Trigger Current	I _{TRIG}	V+ = 16.5V		50		pA	
		V+ = 5V		10			
		V+ = 2V		1			
Threshold Current	I _{TH}	V+ = 16.5V		50		pA	
		V+ = 5V		10			
		V+ = 2V		1			
Reset Current	I _{RST}	V _{REST} = Ground	V+ = 16.5V		100	pA	
			V+ = 5V		20		
			V+ = 2V		2		

Electrical Characteristics (continued)

Specifications below satisfy or exceed all “tested” parameters on adjacent page.
(V+ = +2V to +15V; T_A = +25°C, unless otherwise noted.)

PARAMETER	SYMBOL	CONDITIONS			MIN	TYP	MAX	UNITS
Reset Voltage	V _{RST}	V+ = 16.5V			0.4	0.7	1.2	V
		V+ = 2V			0.4	0.7	1.2	
Control Voltage	V _{CV}	V+ = 5V			0.62	0.66	0.67	V+
Output Voltage Drop	V _O	Output Lo	V+ = 16.5V	I _{SINK} = 3.2mA	0.1 0.4		V	
			V+ = 5V	I _{SINK} = 3.2mA	0.15 0.4			
		Output Hi	V+ = 16.5V	I _{SOURCE} = 2.0mA	15.75	16.25		
			V+ = 5V	I _{SOURCE} = 2.0mA	4.0	4.5		
Discharge Output Voltage	V _{DIS}	V+ = 5V, I _{DIS} = 3.2mA			0.1 0.4		V	
Rise Time of Output (Note 4)	t _r	R _L = 10MΩ	C _L = 10pF	V+ = 5V	35	40	75	ns
Fall Time of Output (Note 4)	t _f	R _L = 10MΩ	C _L = 10pF	V+ = 5V	35	40	75	
Guaranteed Max Osc. Frequency (Note 4)	f _{max}	Astable Operation			500		kHz	

Note 1: Due to the SCR structure inherent in the CMOS process used to fabricate these devices, connecting any terminal to a voltage greater than V+ + 3V or less than V- - 0.3V may cause destructive latchup. For this reason it is recommended that no inputs from external sources not operating from the same power supply be applied to the device before its power supply is established. In multiple systems, the supply of the ICM7555/ICM7556 must be turned on first.

Note 2: Junction temperatures should not exceed 135°C and the power dissipation must be limited to 20mW at 125°C. Below 125°C, power dissipation may be increased to 300mW at 25°C. Derating factor is approximately 3mW/°C (ICM7556) or 2mW/°C (ICM7555).

Note 3: The supply current value is essentially independent of the TRIGGER, THRESHOLD, and RESET voltages.

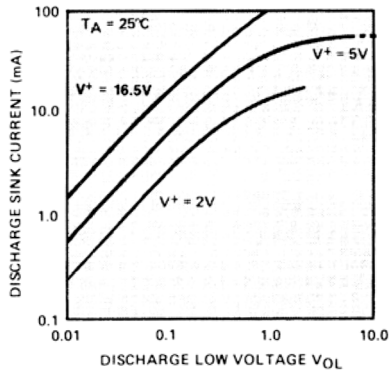
Note 4: Parameter is not 100% tested. Majority of all units meet this specification.

Note 5: Deviation from f = 1.46/(R_A + 2 R_B)C. V+ = 5V.

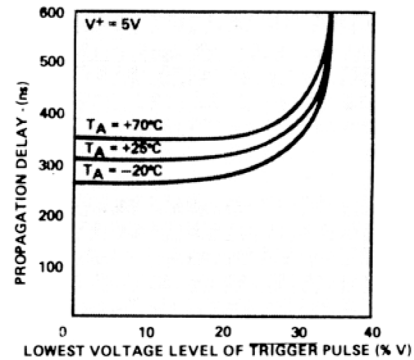
Note 6: All pins are designed to withstand electrostatic discharge (ESD) level in excess of 2000V. (Mil Std 883B Method 3015 1 Test Circuit).

Typical Operating Characteristics

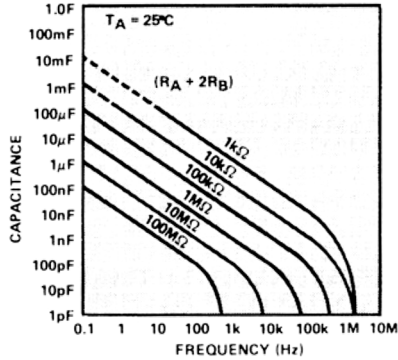
DISCHARGE OUTPUT CURRENT AS A FUNCTION OF DISCHARGE OUTPUT VOLTAGE



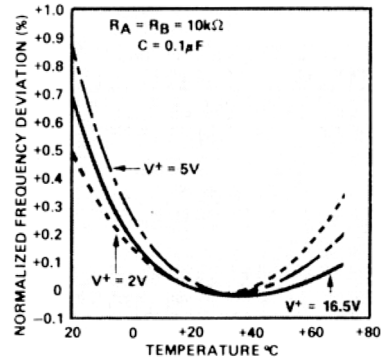
PROPAGATION DELAY AS A FUNCTION OF VOLTAGE LEVEL OF TRIGGER PULSE



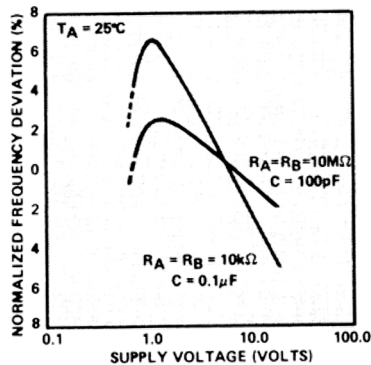
FREE RUNNING FREQUENCY AS A FUNCTION OF R_A, R_B AND C



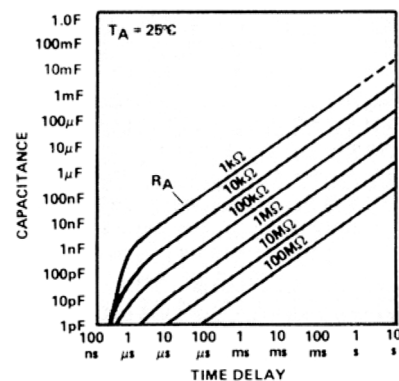
NORMALIZED FREQUENCY STABILITY IN THE ASTABLE MODE AS A FUNCTION OF TEMPERATURE



NORMALIZED FREQUENCY STABILITY IN THE ASTABLE MODE AS A FUNCTION OF SUPPLY VOLTAGE

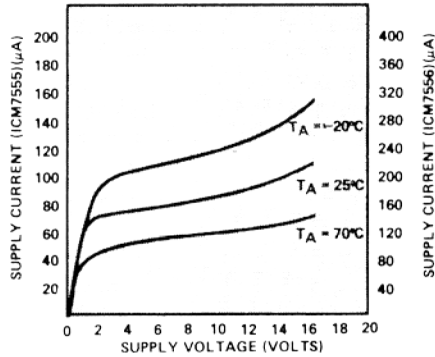


TIME DELAY IN THE MONOSTABLE MODE AS A FUNCTION OF R_A AND C

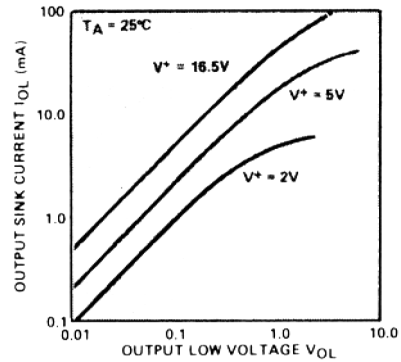


Typical Operating Characteristics (continued)

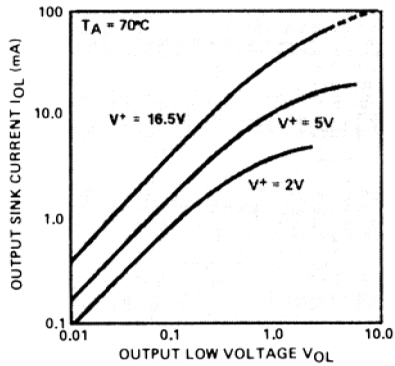
SUPPLY CURRENT AS A FUNCTION OF SUPPLY VOLTAGE



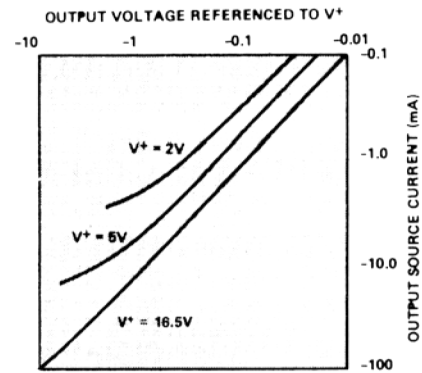
OUTPUT SINK CURRENT AS A FUNCTION OF OUTPUT VOLTAGE



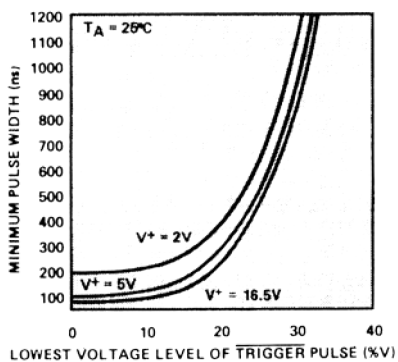
OUTPUT SINK CURRENT AS A FUNCTION OF OUTPUT VOLTAGE



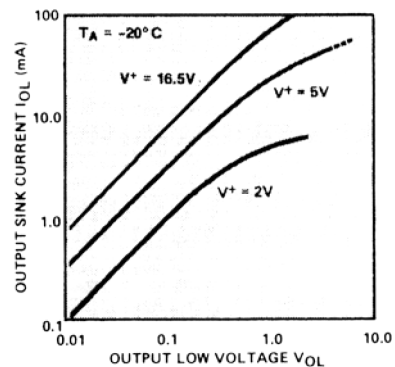
OUTPUT SOURCE CURRENT AS A FUNCTION OF OUTPUT VOLTAGE



MINIMUM PULSE WIDTH REQUIRED FOR TRIGGERING



OUTPUT SINK CURRENT AS A FUNCTION OF OUTPUT VOLTAGE



Detailed Description

Both the ICM7555 timer and the ICM7556 dual timer can be configured for either astable or monostable operation. In the astable mode, the free-running frequency and the duty cycle are controlled by two external resistors and one capacitor. Similarly, the pulse width in the monostable mode is precisely controlled by one external resistor and capacitor.

The external component count is decreased when replacing a bipolar timer with the ICM7555 or ICM7556. The bipolar devices produce large crowbar currents in the output driver. To compensate for this spike, a capacitor is used to decouple the power-supply lines. The CMOS timers produce supply spikes of only 2mA to 3mA vs. 300mA to 400mA (Bipolar), therefore supply decoupling is typically not needed. This current spike comparison is illustrated in Figure 3. Another component is eliminated at the control voltage pin. These CMOS timers, due to the high-impedance inputs of the comparators, do not require decoupling capacitors on the control voltage pin.

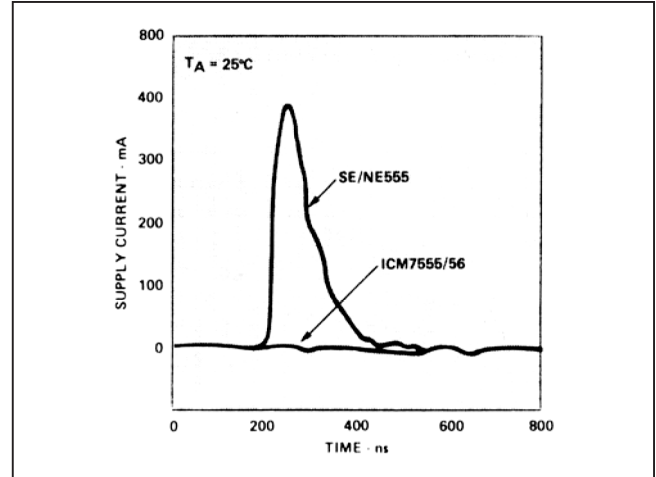


Figure 3. Supply Current Transient Compared With A Standard Bipolar 555 During An Output Transition

Applications Information

Astable Operation

Maxim recommends either of the two astable circuit configurations illustrated in Figure 1. The circuit in Figure 1a provides a 50% duty-cycle output using one timing resistor and capacitor. The oscillator waveform across the capacitor is symmetrical and triangular, swinging from 1/3 to 2/3 of the supply voltage. The frequency generated is defined by:

$$f = \frac{1}{1.4 RC}$$

The circuit in Figure 1b provides a means of varying the duty cycle of the oscillator. The frequency is defined by:

$$f = \frac{1.46}{(R_A + 2R_B)C}$$

The duty cycle is:

$$D = \frac{R_B}{(R_A + 2R_B)}$$

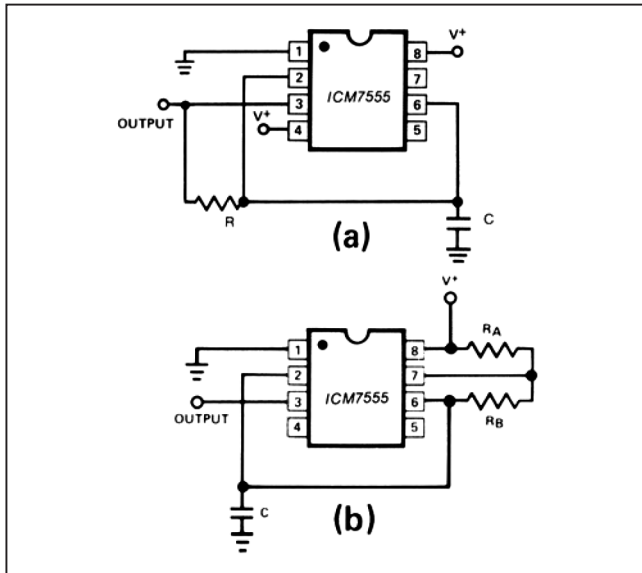


Figure 1. Maxim ICM7555 Used in Two Different Astable Configurations

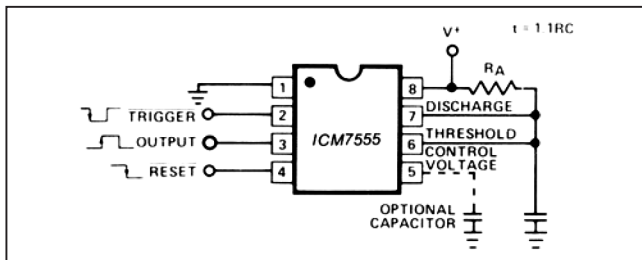


Figure 2. Maxim ICM7555 in Monostable Operation

Monostable Operation

The circuit diagram in Figure 2 illustrates monostable operation. In this mode the timer acts as a one shot. Initially the external capacitor is held discharged by the discharge output. Upon application of a negative TRIGGER pulse to pin 2, the capacitor begins to charge exponentially through RA. The device resets after the voltage across the capacitor reaches 2/3(V+).

$$t_{OUTPUT} = -\ln(1/3)R_A C = 1.1R_A C$$

Reset

The reset function is significantly improved over the standard bipolar 555 and 556 in that it controls only the internal flip-flop, which in turn simultaneously controls the state of the Output and Discharge pins. This avoids the multiple threshold problems sometimes encountered with slow-falling edges of the bipolar devices. This input is designed to have essentially the same trip voltage as the standard bipolar devices (0.6V to 0.7V). At all supply voltages this input maintains an extremely high impedance.

Control Voltage

The control voltage regulates the two trip voltages for the THRESHOLD and TRIGGER internal comparators. This pin can be used for frequency modulation in the astable mode. By varying the applied voltage to the control voltage pin, delay times can be changed in the monostable mode.

Power-Supply Considerations

Since the TRIGGER, THRESHOLD, and Discharge leakage currents are very low, high-impedance timing components may be used, keeping total system supply current at a minimum.

Output Drive Capability

The CMOS output stage is capable of driving most logic families including CMOS and TTL. The ICM7555 and ICM7556 will drive at least two standard TTL loads at a supply voltage of 4.5V or greater. When driving CMOS, the output swing at all supply voltage levels will equal the supply voltage.

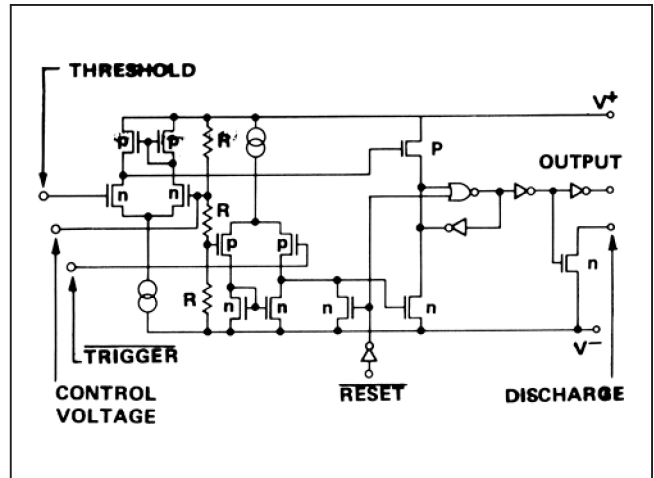


Figure 5. Equivalent Circuit

Function Table

RESET	TRIGGER VOLTAGE	THRESHOLD VOLTAGE	OUTPUT	DISCHARGE SWITCH
Low	Irrelevant	Irrelevant	Low	On
High	< 1/3 V+	Irrelevant	High	Off
High	> 1/3 V+	> 2/3 V+	Low	On
High	> 1/3 V+	< 2/3 V+	As previously established	

†Voltage levels shown are nominal.

Note: RESET will dominate all other inputs. TRIGGER will dominate over THRESHOLD.

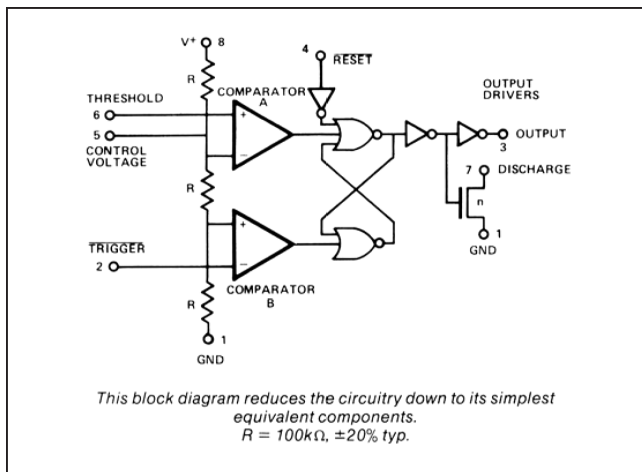


Figure 4. Block Diagram of ICM7555

Chip Information

PROCESS: CMOS

Package Information

For the latest package outline information and land patterns (footprints), go to www.maximintegrated.com/packages. Note that a "+", "#", or "-" in the package code indicates RoHS status only. Package drawings may show a different suffix character, but the drawing pertains to the package regardless of RoHS status.

PACKAGE TYPE	PACKAGE CODE	OUTLINE NO.	LAND PATTERN NO.
8 PDIP	P8-1	21-0043	—
8 SO	S8-2	21-0041	90-0096
14 PDIP	P14-3	21-0043	—
14 CERDIP	J14-3	21-0045	—
14 SO	S14-1	21-0041	90-0112

Revision History

REVISION NUMBER	REVISION DATE	DESCRIPTION	PAGES CHANGED
0	4/88	Initial Release	—
2	11/92	Revised <i>Electrical Characteristics</i>	3
3	3/13	Updated <i>Ordering Information</i>	1



Information furnished by Analog Devices is believed to be accurate and reliable. However, no responsibility is assumed by Analog Devices for its use, nor for any infringements of patents or other rights of third parties that may result from its use. Specifications subject to change without notice. No license is granted by implication or otherwise under any patent or patent rights of Analog Devices. Trademarks and registered trademarks are the property of their respective owners.