



# TEA1752T

HV start-up DCM/QR flyback controller with integrated  
DCM/QR PFC controller

Rev. 2 — 16 November 2012

Product data sheet

## 1. General description

---

The TEA1752T is the third generation of green Switched Mode Power Supply (SMPS) controller ICs. The TEA1752T combines a controller for Power Factor Correction (PFC) and a flyback controller. Its high level of integration allows the design of a cost-effective power supply with a very low number of external components.

The special built-in green functions provide high efficiency at all power levels. This efficiency applies to quasi-resonant operation at high-power levels, quasi-resonant operation with valley skipping, as well as reduced frequency operation at lower power levels. At low-power levels, the PFC switches off to maintain high efficiency.

During low-power conditions, the flyback controller switches to frequency reduction mode and limits the peak current to an adjustable minimum value. This mode ensures high efficiency at low-power and good standby power performance while minimizing audible noise from the transformer.

The TEA1752T is a Multi-Chip Module, (MCM), containing 2 chips. The proprietary high-voltage BCD800 process which makes direct start-up possible from the rectified universal mains voltage in an effective and green way. The second low voltage Silicon On Insulator (SOI) is used for accurate, high speed protection functions and control.

The TEA1752T enables the design of highly efficient and reliable supplies with power requirements of up to 250 W with a minimum number of external components.

**Remark:** All values provided throughout the running text, are typical values unless otherwise stated.



## 2. Features and benefits

### 2.1 Distinctive features

- Integrated PFC and flyback controller
- Universal mains supply operation (70 V AC to 276 V AC)
- Dual boost PFC with accurate maximum output voltage (NXP patented)
- High level of integration, resulting in a very low external component count and a cost-effective design
- Adjustable PFC switch-off delay

### 2.2 Green features

- On-chip start-up current source

### 2.3 PFC green features

- Valley/zero voltage switching for minimum switching losses (NXP patented)
- Frequency limitation to reduce switching losses
- PFC is switched off when a low load is detected at the flyback output

### 2.4 Flyback green features

- Valley switching for minimum switching losses (NXP patented)
- Frequency reduction with adjustable minimum peak current at low-power operation to maintain high efficiency at low output power levels

### 2.5 Protection features

- Safe restart mode for system fault conditions
- Continuous mode protection with demagnetization detection for both converters (NXP patented)
- UnderVoltage Protection (UVP) (foldback during overload)
- Accurate OverVoltage Protection (OVP) for both converters (adjustable for flyback converter)
- Mains voltage independent OverPower Protection (OPP)
- Open control loop protection for both converters. The open-loop protection on the flyback converter is a safe restart
- OverTemperature Protection (OTP)
- Low and adjustable OverCurrent Protection (OCP) trip level for both converters
- General-purpose input for latched protection, for system OverTemperature Protection (OTP) for example

## 3. Applications

- The device is used in all applications that require an efficient and cost-effective power supply solution for up to 250 W. Notebook adapters in particular can benefit from the high level of integration

## 4. Ordering information

Table 1. Ordering information

Type number	Package		
	Name	Description	Version
TEA1752T	SO16	plastic small outline package; 16 leads; body width 3.9 mm	SOT109-1

5. Block diagram

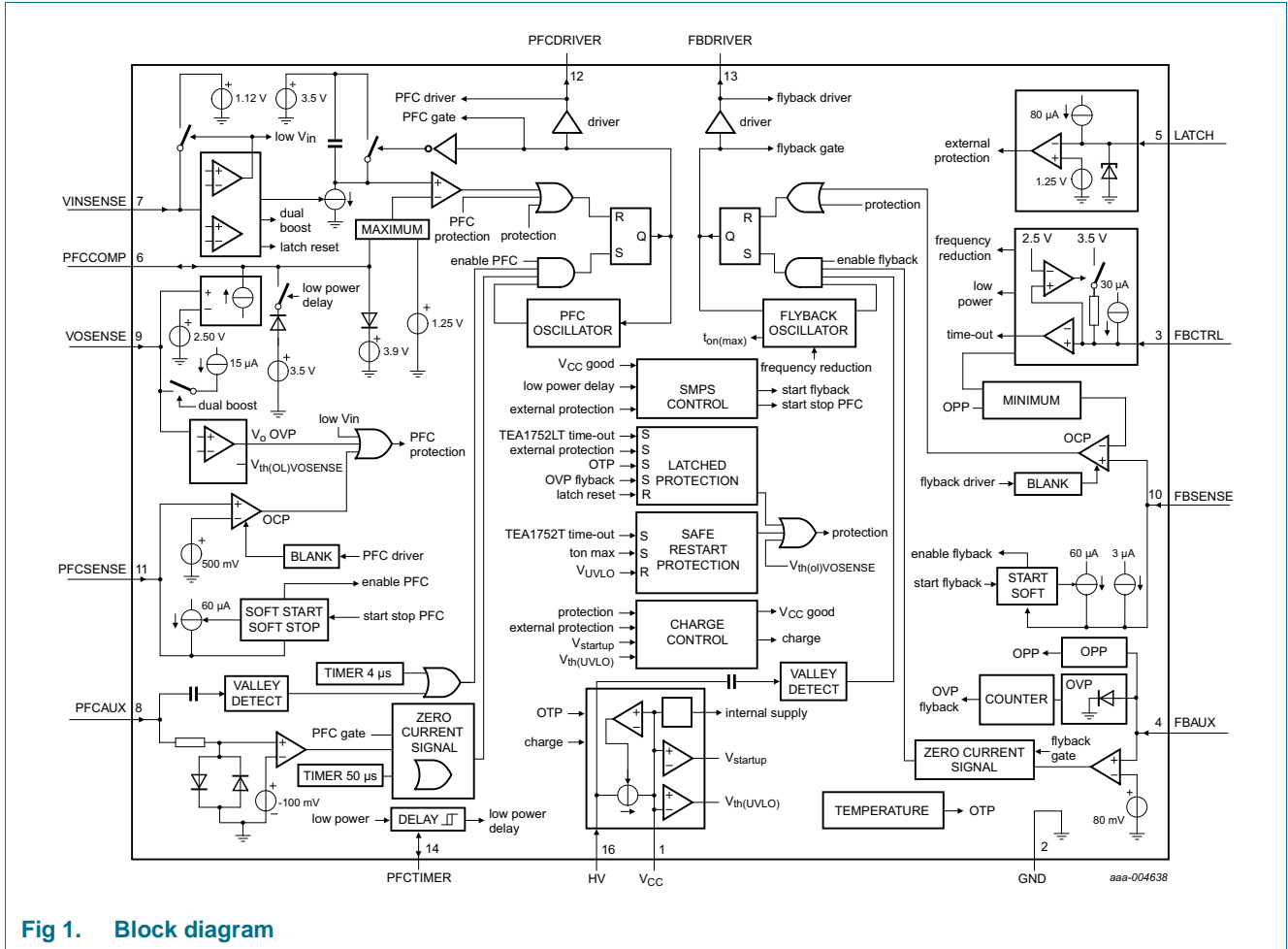


Fig 1. Block diagram

## 6. Pinning information

### 6.1 Pinning

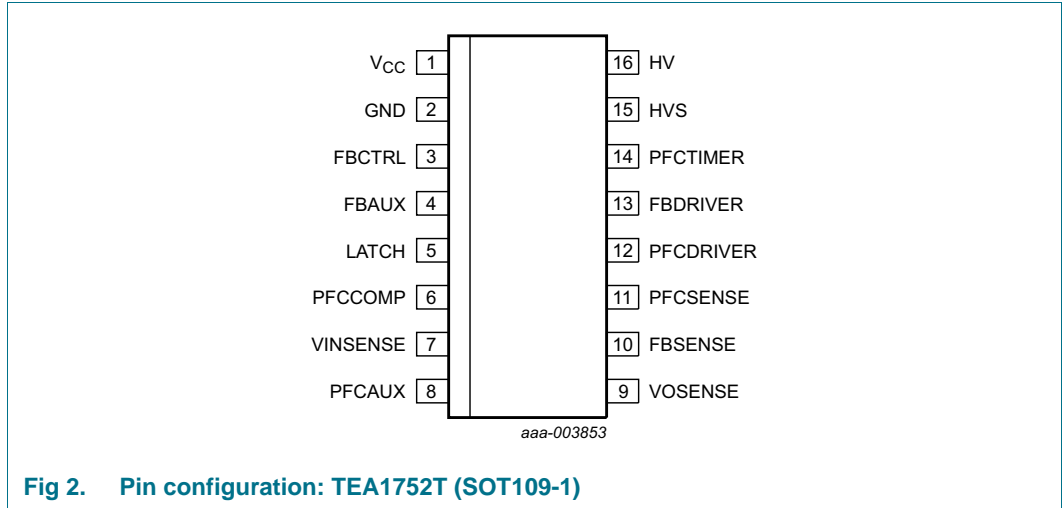


Fig 2. Pin configuration: TEA1752T (SOT109-1)

### 6.2 Pin description

Table 2. Pin description

Symbol	Pin	Description
V <sub>CC</sub>	1	supply voltage
GND	2	ground
FBCTRL	3	flyback control input
FBAUX	4	auxiliary winding input for demagnetization timing and flyback OVP
LATCH	5	general-purpose protection input
PFCCOMP	6	frequency compensation pin for PFC
VINSENSE	7	mains voltage sense input
PFCAUX	8	auxiliary winding input for demagnetization timing for PFC
VOSENSE	9	sense input for PFC output voltage
FBSENSE	10	flyback current sense input
PFCSENSE	11	PFC current sense input
PFCDRIVER	12	PFC gate-driver output
FBDRIVER	13	flyback gate-driver output
PFCTIMER	14	delay timer pin for PFC on/off control
HVS	15	high-voltage safety spacer, not connected
HV	16	high-voltage start-up / flyback valley sensing

## 7. Functional description

### 7.1 General control

The TEA1752T contains a controller for a power factor correction circuit as well as a controller for a flyback circuit. A typical configuration is shown in [Figure 3](#).

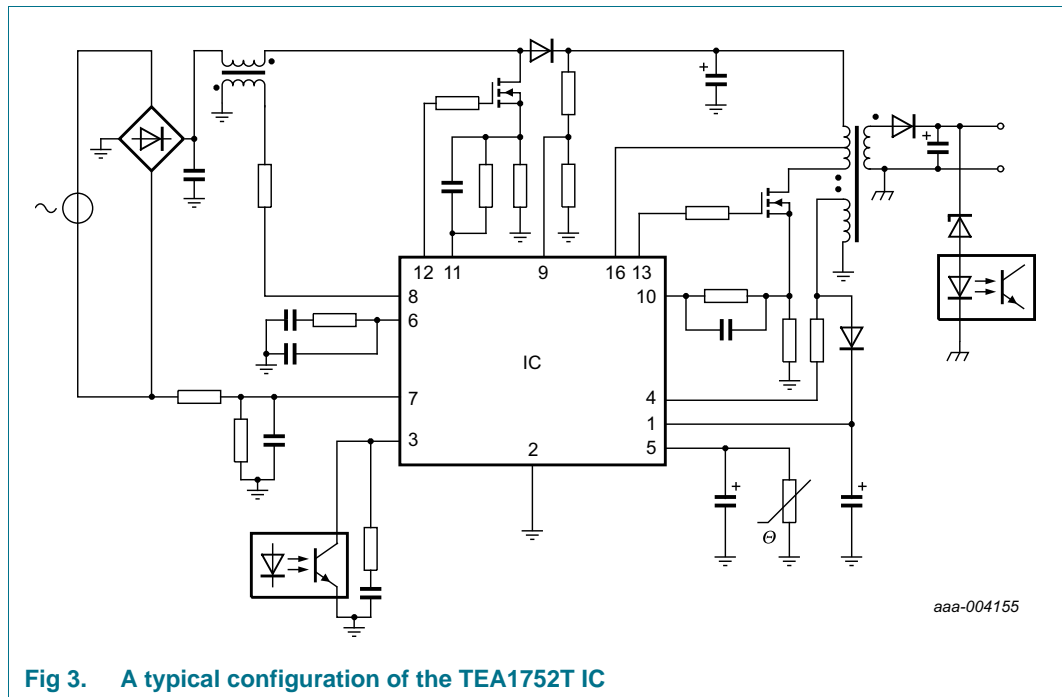


Fig 3. A typical configuration of the TEA1752T IC

#### 7.1.1 Start-up and UnderVoltage LockOut (UVLO)

Initially the capacitor on the  $V_{CC}$  pin is charged from the high-voltage mains from the HV pin.

When  $V_{CC}$  is less than  $V_{trip}$ , the charge current is low. This low current protects the IC if the  $V_{CC}$  pin is shorted to ground. To ensure a short start-up time, the charge current greater than  $V_{trip}$  is increased until  $V_{CC}$  reaches  $V_{th(UVLO)}$ . When  $V_{CC}$  is between  $V_{th(UVLO)}$  and  $V_{startup}$ , the charge current goes low again to ensure a low safe restart duty cycle during fault conditions.

The control logic activates the internal circuitry and switches off the HV charge current when the voltage on the  $V_{CC}$  pin passes the  $V_{startup}$  level. First, the LATCH pin current source is activated and the soft-start capacitors on the PFCSENSE and FBSENSE pins are charged. The clamp circuit on the PFCCOMP pin is also activated.

The PFC circuit is activated when the following conditions are met:

- the LATCH pin voltage exceeds the  $V_{en(LATCH)}$  voltage
- the PFCCOMP pin voltage reaches the  $V_{en(PFCCOMP)}$  voltage
- the soft-start capacitor on the PFCSENSE pin is charged

If the soft-start capacitor on the FBSENSE pin is charged, the flyback converter is also activated. The flyback converter output voltage is then regulated to its nominal output voltage. The auxiliary winding of the flyback converter takes over the IC supply (see [Figure 4](#)).

If during start-up the LATCH pin does not reach the  $V_{en(LATCH)}$  level before  $V_{CC}$  reaches  $V_{th(UVLO)}$ , it is deactivated. The charge current is then switched on again.

When the flyback converter starts,  $V_{FBCTRL}$  is monitored. If this output voltage does not reach its intended regulation level within a specified time, the voltage on the FBCTRL pin reaches the  $V_{to(FBCTRL)}$  level. An error is then assumed and a safe restart is initiated.

When one of the protection functions is activated, both converters stop switching and the  $V_{CC}$  voltage drops to  $V_{th(UVLO)}$ . A latched protection recharges the capacitor  $C_{VCC}$  using the HV pin, but does not restart the converters. To provide safe restart protection, the capacitor is recharged using the HV pin and the device restarts (see [Figure 1](#)).

If OVP of the PFC circuit ( $V_{VOSENSE} > V_{OVP(VOSENSE)}$ ) occurs, the PFC controller stops switching until the VOSENSE pin voltage drops to less than  $V_{OVP(VOSENSE)}$ . If a mains undervoltage is detected  $V_{VINSENSE} < V_{stop(VINSENSE)}$ , the PFC controller stops switching until  $V_{VINSENSE} > V_{start(VINSENSE)}$  again.

When the voltage on the  $V_{CC}$  pin drops below the undervoltage lockout level, both controllers stop switching and re-enter the safe restart mode. In the safe restart mode, the driver outputs are disabled and the  $V_{CC}$  pin voltage is recharged using the HV pin.

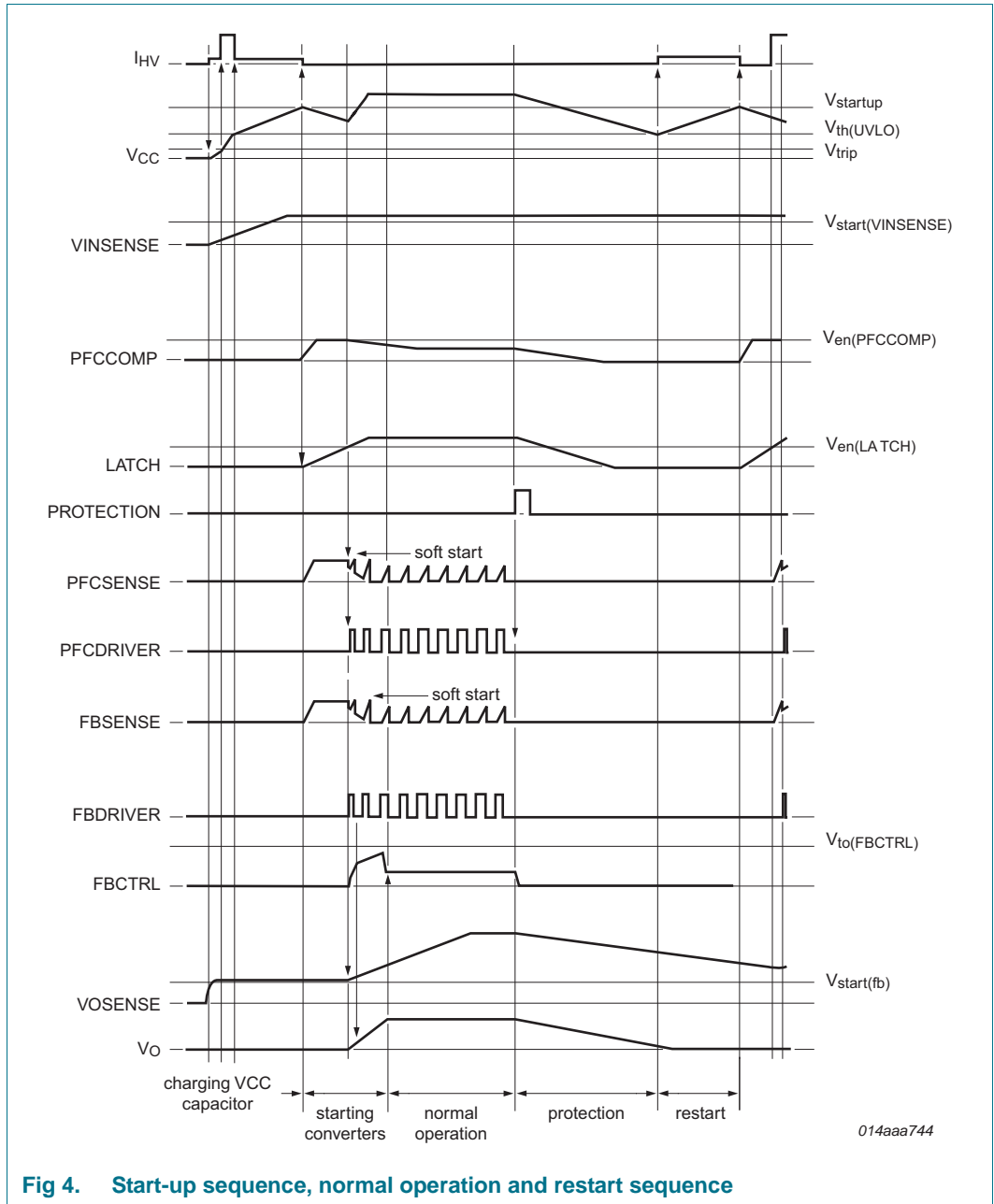


Fig 4. Start-up sequence, normal operation and restart sequence

### 7.1.2 Supply management

All internal reference voltages are derived from a temperature compensated and trimmed on-chip band gap circuit. Internal reference currents are derived from a temperature compensated and trimmed on-chip current reference circuit.

### 7.1.3 Latch input

The LATCH pin is a general-purpose input pin, which is used to switch off both converters. The pin sources a current  $I_{O(LATCH)}$  of 80  $\mu\text{A}$ . Switching is stopped as soon as the voltage on the latch pin drops below 1.25 V.



At initial start-up, switching is stopped until the capacitor on the LATCH pin is charged above 1.35 V. No internal filtering is done on this pin. An internal Zener clamp of 2.9 V protects this pin from excessive voltages.

#### 7.1.4 Fast latch reset

In a typical application, the mains is interrupted briefly to reset the latched protection. The PFC bus capacitor,  $C_{bus}$ , does not have to discharge for this latched protection to reset.

When the VINSENSE voltage drops below 750 mV and is then raised to 870 mV, the latched protection is reset.

The latched protection is also reset by removing both the voltage on the  $V_{CC}$  and HV pins.

#### 7.1.5 Overtemperature protection

An accurate internal temperature protection is provided in the circuit. When the junction temperature exceeds the thermal shut-down temperature, the IC stops switching. While OTP is active, the capacitor  $C_{VCC}$  is not recharged from the HV mains. If the  $V_{CC}$  supply voltage is not sufficient, the OTP circuit is supplied from the HV pin.

OTP is a latched protection. It is reset by removing the voltage on the  $V_{CC}$  and HV pins or by the fast latch reset function (see [Section 7.1.4](#)).

### 7.2 Power factor correction circuit

The power factor correction circuit operates in quasi-resonant or Discontinuous Conduction Mode (DCM) with valley switching. The next primary stroke is only started when the previous secondary stroke has ended and the voltage across the PFC MOSFET has reached a minimum value.  $V_{PFCAUX}$  is used to detect transformer demagnetization and the minimum voltage across the external PFC MOSFET switch.

#### 7.2.1 $t_{on}$ control

The power factor correction circuit is operated in  $t_{on}$  control. The resulting mains harmonic reduction is well within the class-D requirements.

#### 7.2.2 Valley switching and demagnetization (PFCAUX pin)

The PFC MOSFET is switched on after the transformer is demagnetized. Internal circuitry connected to the PFCAUX pin detects the end of the secondary stroke. It also detects the voltage across the PFC MOSFET. To reduce switching losses and electromagnetic Interference (EMI), the next stroke is started if the voltage across the PFC MOSFET is at its minimum (valley switching).

If a demagnetization signal is not detected on the PFCAUX pin, the controller generates a Zero Current Signal (ZCS). This ZCS occurs 50  $\mu$ s after the last PFCGATE signal.

If a valley signal is not detected on the PFCAUX pin, the controller generates a valley signal 4  $\mu$ s after demagnetization is detected.

To protect the internal circuitry during lightning events, for example, add a 5 k $\Omega$  series resistor to PFCAUX. To prevent incorrect switching due to external disturbance, place the resistor close to the IC on the printed-circuit board.

### 7.2.3 Frequency limitation

To optimize the transformer and minimize switching losses, the switching frequency is limited to  $f_{sw(PFC)max}$ . If the frequency for quasi-resonant operation is above the  $f_{sw(PFC)max}$  limit, the system switches over to DCM. The PFC MOSFET is only switched on at a minimum voltage across the switch (valley switching).

### 7.2.4 Mains voltage compensation (VINSENSE pin)

The equation for the transfer function of a power factor corrector contains the square of the mains input voltage. In a typical application this results in a low bandwidth for low mains input voltages and a high bandwidth for high mains input voltages.

To compensate for the mains input voltage influence, the TEA1752T contains a correction circuit. The average input voltage is measured using the VINSENSE pin and the information is fed to an internal compensation circuit. Using this compensation, it is possible to keep the regulation loop bandwidth constant over the mains input range. This feature yields a fast transient response on load steps, while still complying with class-D MHR requirements.

In a typical application, a resistor and two capacitors on the PFCCOMP pin set the bandwidth of the regulation loop.

### 7.2.5 Soft start-up (PFCSENSE pin)

To prevent audible transformer noise at start-up or during hiccup, the soft-start function slowly increases the transformer peak current. This increase is achieved by inserting  $R_{SS1}$  and  $C_{SS1}$  between the PFCSENSE pin and current sense resistor  $R_{SENSE1}$ . An internal current source charges the capacitor to:

$$V_{PFCSENSE} = I_{start(soft)PFC} \times R_{SS1} \quad (1)$$

The voltage is limited to  $V_{start(soft)PFC}$ .

The start level and the time constant of the increasing primary current level are adjusted externally by changing the values of  $R_{SS1}$  and  $C_{SS1}$ .

$$\tau_{soft-start} = 3 \times R_{SS1} \times C_{SS1} \quad (2)$$

The charging current  $I_{start(soft)PFC}$  flows as long as  $V_{PFCSENSE}$  is less than 0.5 V. If  $V_{PFCSENSE}$  exceeds 0.5 V, the soft-start current source starts limiting current  $I_{start(soft)PFC}$ . When the PFC starts switching, the  $I_{start(soft)PFC}$  current source is switched off (see [Figure 5](#)).

Resistor  $R_{SS1}$  and capacitor  $C_{SS1}$  are also used to prevent audible noise, when the PFC is switched off by performing a soft stop.

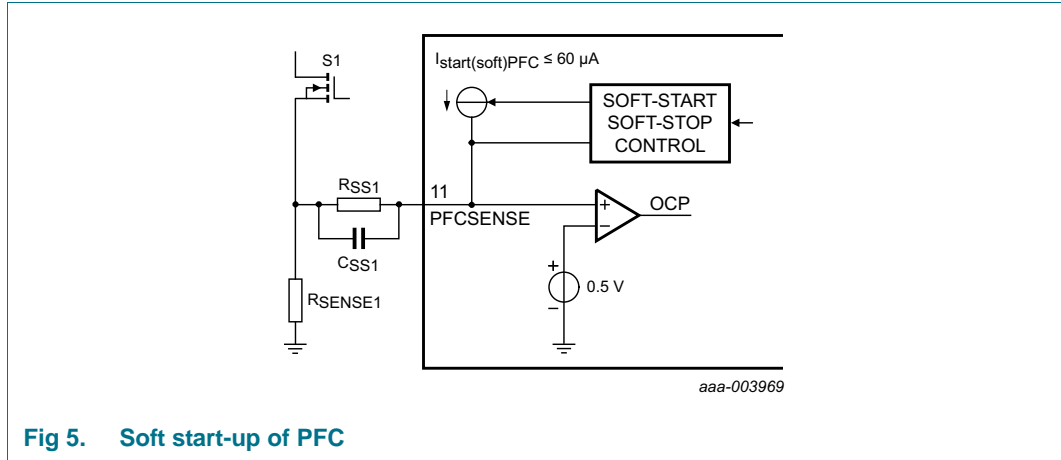


Fig 5. Soft start-up of PFC

**7.2.6 Low-power mode**

When the output power of the flyback converter (see Section 7.3) is low, the flyback converter switches over to frequency reduction mode. When the maximum switching frequency of the flyback drops below 48 kHz, the power factor correction circuit is switched off to maintain high efficiency. Connect a capacitor to the PFCTIMER pin to delay switching off (see Section 7.2.7).

During low-power mode operation, the PFCCOMP pin is clamped to a minimum voltage of 3.5 V and a maximum voltage of 3.9 V. The lower clamp voltage limits the maximum power that is delivered when the PFC is switched on again. The upper clamp voltage ensures that the PFC returns to its normal regulation point in a limited time when returning from low-power mode.

When the flyback converter frequency exceeds 86 kHz, the power factor correction circuit restores normal operation.

**7.2.7 PFC off delay (PFCTIMER pin)**

When the flyback converter maximum frequency drops below 48 kHz, the PFC is switched off. The IC then outputs a 10 μA current to the PFCTIMER pin. When the voltage on the PFCTIMER pin reaches 3.6 V, the PFC is switched off by performing a soft-stop.

When the flyback converter frequency exceeds 86 kHz, a switch discharges the PFCTIMER pin capacitor. When the voltage on the PFCTIMER pin drops below 1.27 V, the PFC is switched on (see Figure 6).

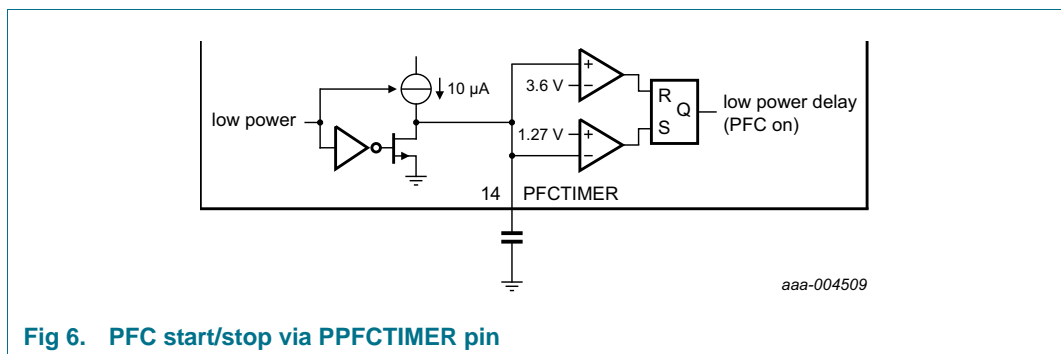


Fig 6. PFC start/stop via PFCTIMER pin

**7.2.8 Dual-boost PFC**

The mains input voltage modulates the PFC output voltage. The mains input voltage is measured using the VINSENSE pin. If the voltage on the VINSENSE pin drops below 2.2 V, the current is sourced from the VOSENSE pin. To ensure stable switch-over, a 200 mV transition region is inserted around the 2.2 V (see Figure 7).

At low VINSENSE input voltages, the output current is 15 μA. This output current, in combination with the resistors on the VOSENSE pin, sets the lower PFC output voltage level at low mains voltages. At high mains input voltages, the current switches to zero. The PFC output voltage is then at its maximum. As this current is zero in this situation, it does not affect the accuracy of the PFC output voltage.

To ensure proper switch-off, the VOSENSE current switches to its maximum value of 15 μA when V<sub>VOSENSE</sub> drops below 2.1 V.

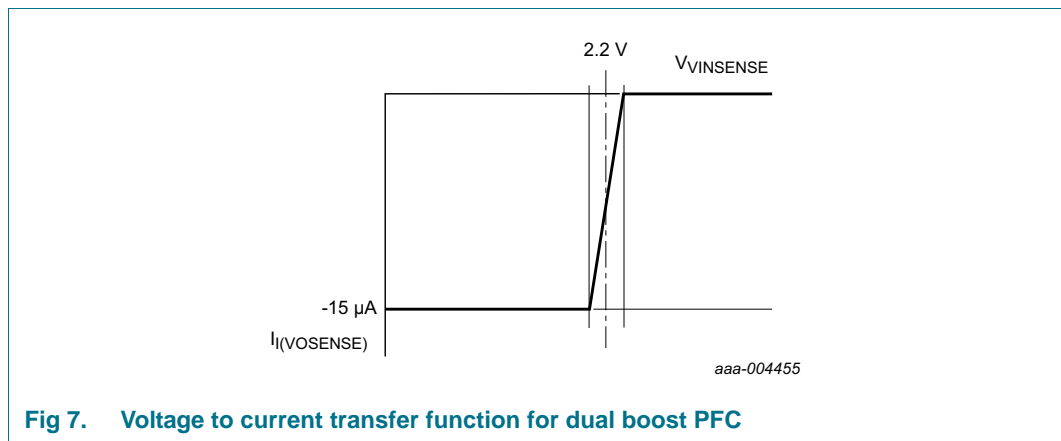


Fig 7. Voltage to current transfer function for dual boost PFC

**7.2.9 Overcurrent protection (PFCSENSE pin)**

The maximum peak current is limited cycle-by-cycle by sensing the voltage across an external sense resistor,  $R_{SENSE1}$ , on the source of the external MOSFET. The voltage is measured using the PFCSENSE pin.

**7.2.10 Mains undervoltage lockout/brownout protection (VINSENSE pin)**

To prevent the PFC from operating at very low mains input voltages, the voltage on the VINSENSE pin is continuously sensed. When the voltage on this pin drops below the  $V_{stop(VINSENSE)}$  level, switching of the PFC is stopped.

The voltage on the VINSENSE pin is clamped to a minimum value,  $V_{start(VINSENSE)} - \Delta V_{pu(VINSENSE)}$ . This voltage clamping provides for a fast restart when the mains input voltage is restored after a mains dropout.

**7.2.11 Overvoltage protection (VOSENSE pin)**

To prevent output overvoltage during load steps and mains transients, an overvoltage protection circuit is built in.

When the voltage on the VOSENSE pin exceeds the  $V_{OVP(VOSENSE)}$  level, switching of the power factor correction circuit is stopped. Switching of the PFC recommences when the VOSENSE pin voltage drops below the  $V_{OVP(VOSENSE)}$  level again.

When the resistor between the VOSENSE pin and ground is open, the overvoltage protection is also triggered.

**7.2.12 PFC open-loop protection (VOSENSE pin)**

The power factor correction circuit does not start switching until the voltage on the VOSENSE pin is greater than the  $V_{th(ol)(VOSENSE)}$  level. This feature protects the circuit from open-loop and VOSENSE short-circuit.

**7.2.13 Driver (PFCDRIVER pin)**

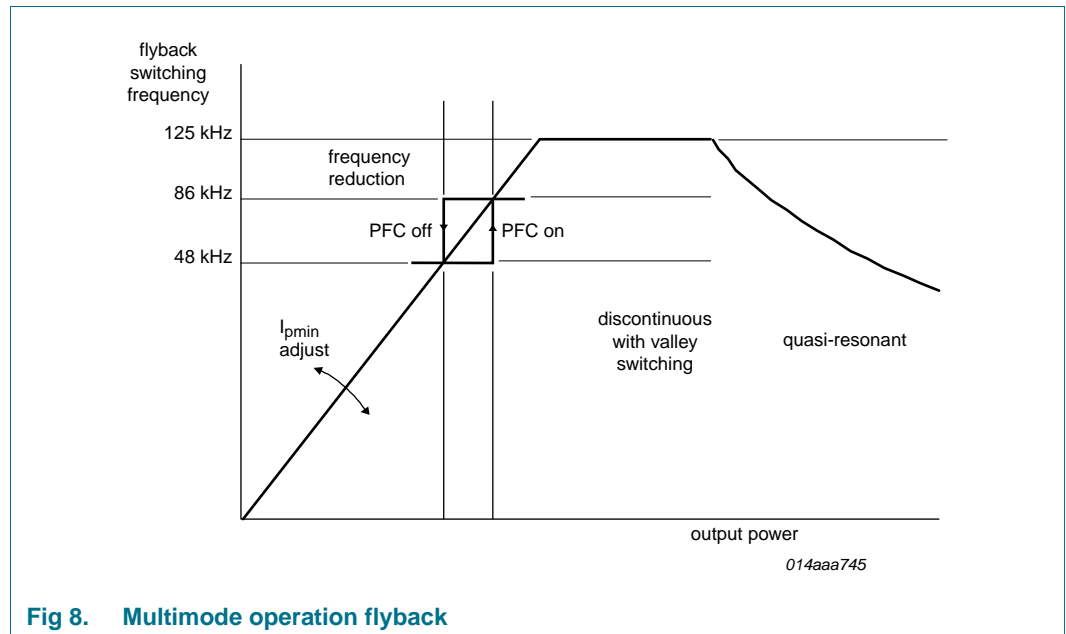
The driver circuit to the gate of the power MOSFET has a current sourcing capability of -500 mA and a current sink capability of 1.2 A. These capabilities permit fast turn-on and turn-off of the power MOSFET for efficient operation.

**7.3 Flyback controller**

The TEA1752T includes a controller for a flyback converter. The flyback converter operates in quasi-resonant or DCM with valley switching. The auxiliary winding of the flyback transformer provides demagnetization detection and powers the IC after start-up.

**7.3.1 Multimode operation**

The TEA1752T flyback controller operates in several modes (see [Figure 8](#)).



**Fig 8. Multimode operation flyback**

At high output power the converter switches to quasi-resonant mode. The next converter stroke starts after demagnetization of the transformer and detection of the valley. In quasi-resonant mode switching losses are minimized. This minimization is achieved by the converter only switching on when the voltage across the external MOSFET is at its minimum (see [Section 7.3.2](#)).

To prevent high frequency operation at low loads, the maximum switching frequency is limited to 125 kHz. When the frequency limit is reached, the quasi-resonant operation changes to DCM with valley skipping. The frequency limit reduces the MOSFET switch-on losses and conducted EMI.

A Voltage Controlled Oscillator (VCO) controls the frequency at very low power and standby levels. The minimum frequency is reduced to zero. During frequency reduction mode, the primary peak current is kept at an adjustable minimum level to maintain a high efficiency. As the primary peak current is low in frequency reduction operation, no audible noise is noticeable at switching frequencies in the audible range. Valley switching is also active in this mode.

In frequency reduction mode, the PFC controller is switched off. The flyback maximum frequency changes linearly with the control voltage on the FBCTRL pin (see [Figure 9](#)). Hysteresis has been added for stable on and off switching of the PFC. At no-load operation, the switching frequency is reduced to (almost) zero.

The input voltage of the flyback converter and the capacitance on the drain node of the flyback power switch affect the frequency reduction slope. By choosing the proper compensation, the frequency reduction slope for high input voltages are chosen as the same as for low input voltages. This compensation yields an input voltage independent PFC switch-on and switch-off power level (see the application information in [Section 11](#)).

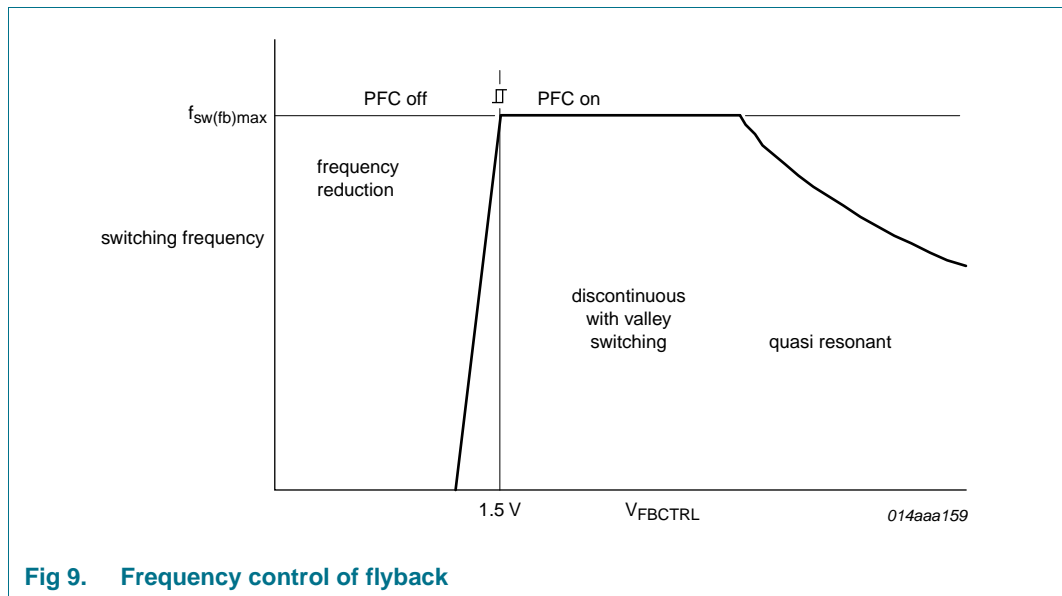


Fig 9. Frequency control of flyback

### 7.3.2 Valley switching (HV pin)

A new cycle starts when the external MOSFET is switched on. V<sub>FBSENSE</sub> and V<sub>FBCTRL</sub> determine the on-time. The MOSFET is then switched off and the secondary stroke starts. After the secondary stroke, the drain voltage shows an oscillation with a frequency of approximately:

$$f = \frac{1}{[2 \times \pi \times \sqrt{(L_p \times C_d)}]} \tag{3}$$

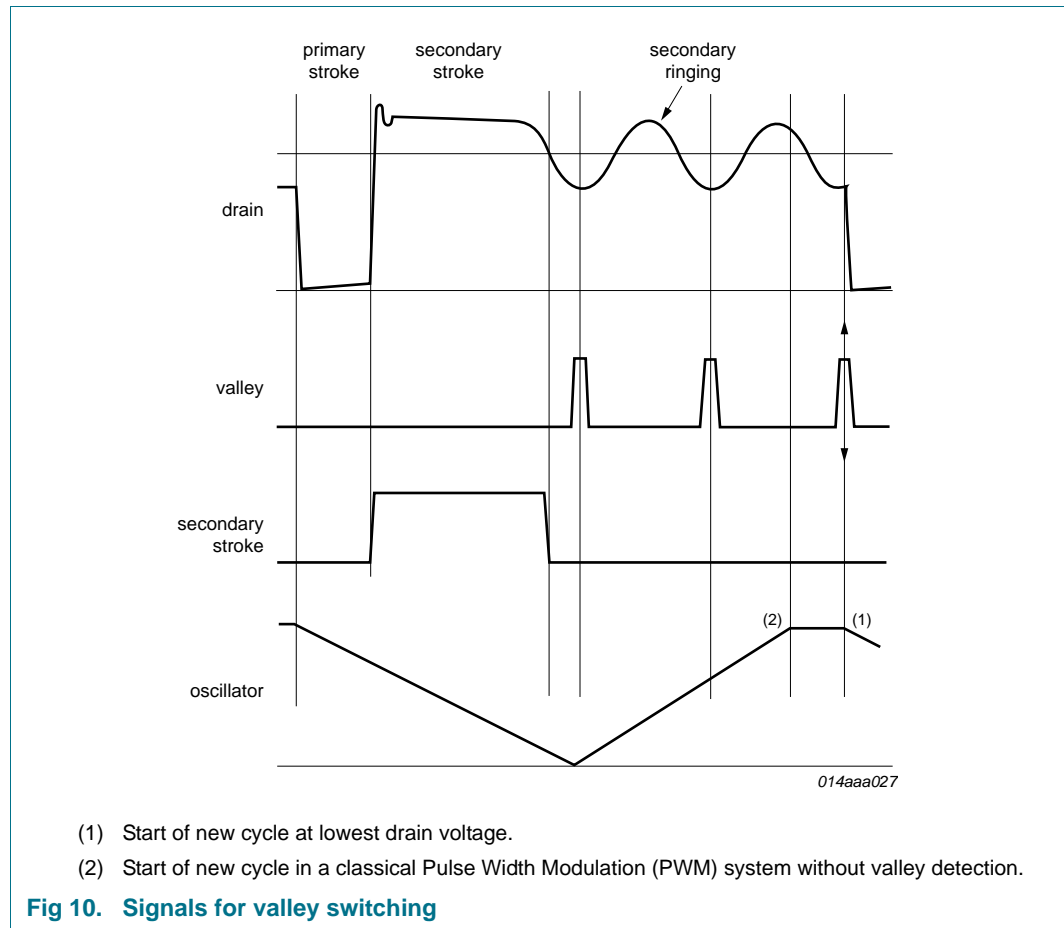
where  $L_p$  is the primary self-inductance of the flyback transformer and  $C_d$  is the capacitance on the drain node.

When the internal oscillator voltage is high and the secondary stroke ended, the circuit waits for the lowest drain voltage before starting a new primary stroke.

Figure 10 shows the drain voltage, valley signal, secondary stroke signal and the internal oscillator signal.

Valley switching allows high frequency operation as capacitive switching losses are reduced (see Equation 4). High frequency operation makes small and cost-effective magnetic components possible.

$$P = \frac{1}{2} \times C_d \times V^2 \times f \tag{4}$$



### 7.3.3 Current mode control (FBSENSE pin)

Current mode control is used for the flyback converter because of its good line regulation.

The FBSENSE pin senses the primary current across an external resistor and compares it with an internal control voltage. The internal control voltage is proportional to the FBCTRL pin voltage (see Figure 11).

The FBSENSE pin outputs a current of 3  $\mu$ A. This current runs through the resistors from the FBSENSE pin to the sense resistor and creates an offset voltage. The minimum peak current of the flyback is adjusted using this offset voltage. Adjusting the minimum peak current level changes the frequency reduction slope (see [Figure 8](#)).

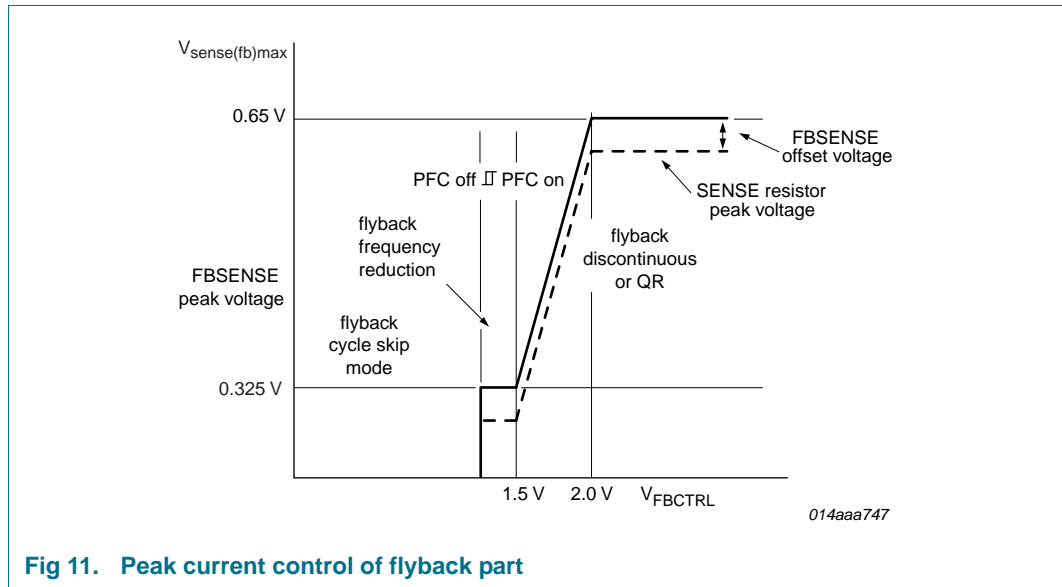


Fig 11. Peak current control of flyback part

### 7.3.4 Demagnetization (FBAUX pin)

The system is always in QR or DCM mode. The internal oscillator does not start a new primary stroke until the previous secondary stroke has ended.

Demagnetization features a cycle-by-cycle output short-circuit protection by immediately lowering the frequency (longer off-time), thus reducing the power level.

Demagnetization recognition is suppressed during the first  $t_{sup(xfmr\_ring)}$  time of 2  $\mu$ s. This suppression is necessary at low output voltages and at start-up. It can also be required in applications where the transformer has a large leakage inductance.

If the FBAUX pin is open-circuit or not connected, a fault condition is assumed and the converter immediately stops. Operation restarts as soon as the fault condition is removed.

### 7.3.5 Flyback control/time-out (FBCTRL pin)

The FBCTRL pin is connected to an internal voltage source of 3.5 V using an internal resistor of 3 k $\Omega$ . When the voltage on this pin exceeds 2.5 V, the connection is disabled and the pin is biased with a small current. If the voltage on this pin exceeds 4.5 V, a fault is assumed, switching is stopped and a restart is made.

If a capacitor and a resistor are connected in series to this pin, a time-out function is created to protect against an open control loop. See [Figure 12](#) and [Figure 13](#). The time-out function is disabled by connecting a resistor (100 k $\Omega$ ) to ground on the FBCTRL pin.

If the pin is short-circuited to ground, switching of the flyback controller is prevented.



Under normal operating conditions, the converter regulates the output voltage. The voltage on the FBCTRL pin then varies between 1.3 V for the minimum output power and 2 V for the maximum output power.

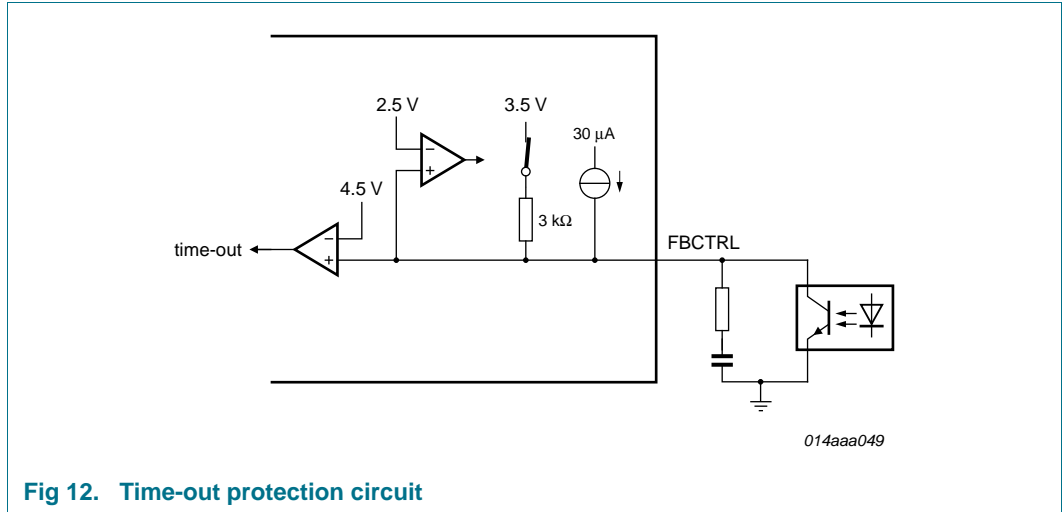


Fig 12. Time-out protection circuit

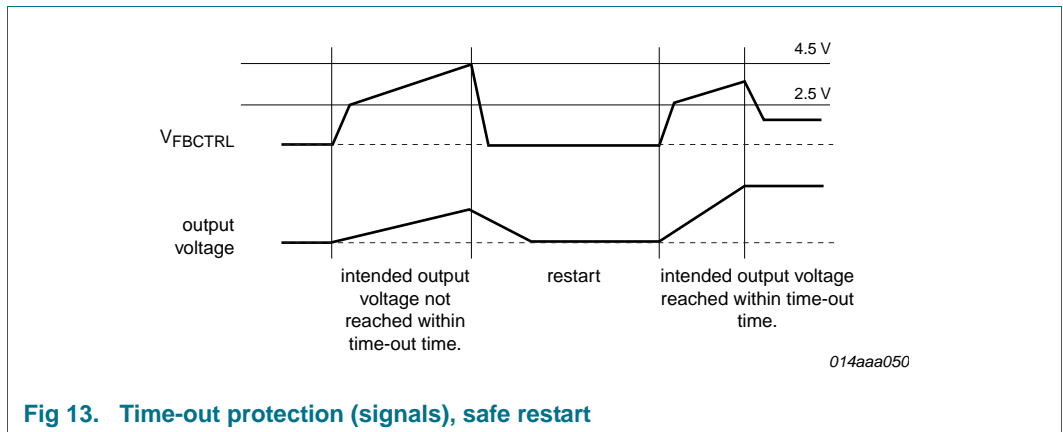


Fig 13. Time-out protection (signals), safe restart

### 7.3.6 Soft-start-up (FBSENSE pin)

To prevent audible transformer noise during start-up, the soft-start function slowly increases the transformer peak current. This increase is achieved by inserting a resistor and a capacitor between the FBSENSE and the current sense resistor.

An internal current source charges the capacitor to:

$$V = I_{start(soft)fb} \times R_{SS2} \tag{5}$$

with a maximum of approximately 0.63 V.

The start level and the time constant of the increasing primary current level are adjusted externally by changing the values of  $R_{SS2}$  and  $C_{SS2}$ .

$$\tau_{soft-start} = 3 \times R_{SS2} \times C_{SS2} \tag{6}$$

The soft-start current  $I_{start(soft)fb}$  switches on as soon as  $V_{CC}$  reaches  $V_{startup}$ . When  $V_{FBSENSE}$  has reached 0.63 V, the flyback converter starts switching.

The charging current  $I_{start(soft)(FB)}$  flows as long as  $V_{FBSENSE}$  is less than approximately 0.63 V. If  $V_{FBSENSE}$  exceeds 0.63 V, the soft-start current source starts limiting the current. After the flyback converter has started, the soft-start current source is switched off.

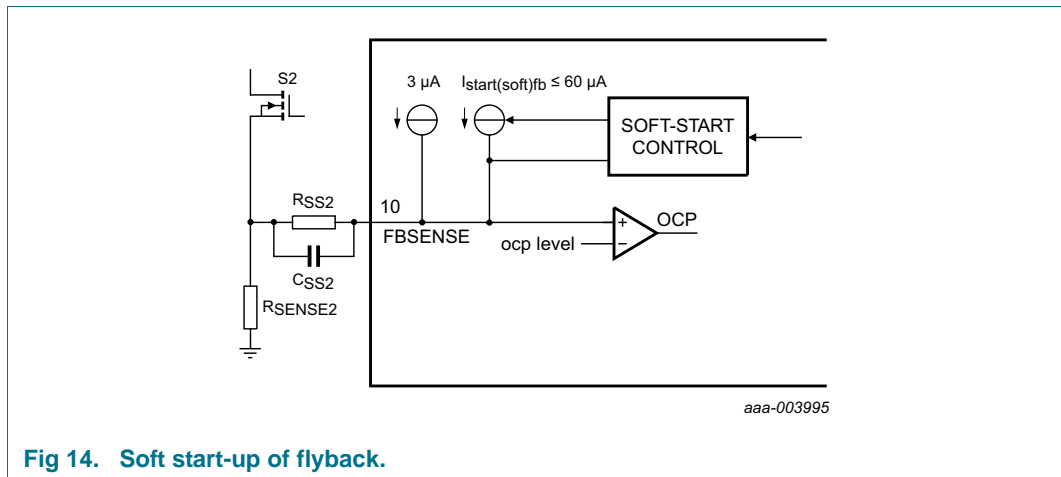


Fig 14. Soft start-up of flyback.

### 7.3.7 Maximum on-time

The flyback controller limits the on-time of the external MOSFET to 40 µs. When the on-time is longer than 40 µs, the IC stops switching and enters the safe restart mode.

### 7.3.8 Overvoltage protection (FBAUX pin)

An output overvoltage protection is implemented in the GreenChip III series. In the TEA1752T, the auxiliary voltage is sensed using the current flowing into the FBAUX pin during the secondary stroke. The auxiliary winding voltage is a well-defined replica of the output voltage. An internal filter averages voltage spikes.

An internal up-down counter prevents false OVP detection which can occur during ESD or lightning events. The internal counter counts up by one when the output voltage exceeds the OVP trip level within one switching cycle. The internal counter counts down by two when the output voltage has not exceeded the OVP trip level within one switching cycle. When the counter has reached eight, the IC assumes a true OVP, sets the latched protection and switches off both converters.

The converter only restarts after the OVP latch is reset. In a typical application, the internal latch is reset when the VINSENSE voltage drops below 750 mV and is then raised to 870 mV.

The latched protection is also reset by removing both the voltage on the VCC and HV pins.

The demagnetization resistor,  $R_{FBAUX}$  sets the output voltage  $V_{o(OVP)}$  at which the OVP function trips:

$$V_{o(OVP)} = \frac{N_s}{N_{aux}} (I_{ovp(FBAUX)} \times R_{FBAUX} + V_{clamp(FBAUX)}) \tag{7}$$

where  $N_s$  is the number of secondary turns and  $N_{aux}$  is the number of auxiliary turns of the transformer. Current  $I_{ovp(FBAUX)}$  is internally trimmed.

Accurate OVP detection is made possible by adjusting the value of  $R_{FBAUX}$  to the turns ratio of the transformer.

**7.3.9 Overcurrent protection (FBSENSE pin)**

The primary peak current in the transformer is measured accurately cycle-by-cycle using the external sense resistor  $R_{sense2}$ .  $V_{fbctrl}$  sets the level to which the OCP circuit limits  $V_{FBSENSE}$  (see [Section 7.3.3](#)). The OCP detection is suppressed during the leading-edge blanking period,  $t_{leb}$ , to prevent false triggering due to switch-on spikes.

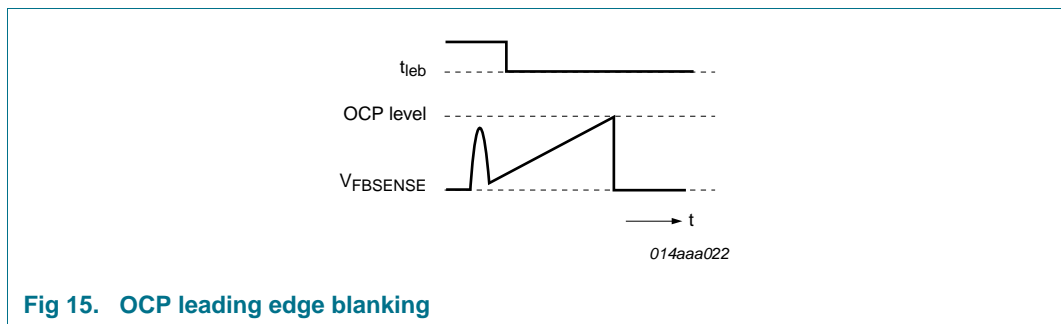


Fig 15. OCP leading edge blanking

**7.3.10 Overpower protection**

During the primary stroke of the flyback converter, the input voltage is measured by sensing the current drawn from the FBAUX pin.

The current information is used to limit the maximum peak current of the flyback converter, measured from the FBSENSE pin. The internal compensation is such that a maximum output power, which is almost independent of the input voltage, is realized.

The OPP curve is given in [Figure 16](#).

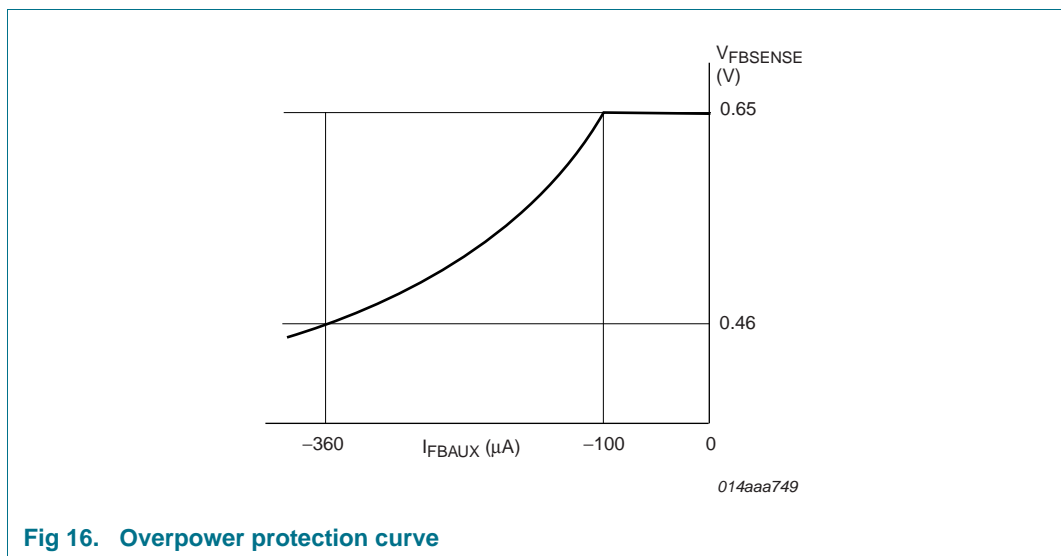


Fig 16. Overpower protection curve

### 7.3.11 Driver (FBDRIVER pin)

The driver circuit to the power MOSFET gate has a current sourcing capability of –500 mA and a current sink capability of 1.2 A. These capabilities permit fast turn-on and turn-off of the power MOSFET, thus ensuring efficient operation.

## 8. Limiting values

**Table 3. Limiting values**

*In accordance with the Absolute Maximum Rating System (IEC 60134).*

Symbol	Parameter	Conditions	Min	Max	Unit
<b>Voltages</b>					
$V_{CC}$	supply voltage		–0.4	+38	V
$V_{LATCH}$	voltage on the LATCH pin	current limited	–0.4	+5	V
$V_{FBCTRL}$	voltage on the FBCTRL pin		–0.4	+5	V
$V_{PFCCOMP}$	voltage on pin PFCCOMP pin		–0.4	+5	V
$V_{VINSENSE}$	voltage on the VINSENSE pin		–0.4	+5	V
$V_{VOSENSE}$	voltage on the VOSENSE pin		–0.4	+5	V
$V_{PFCAUX}$	voltage on the PFCAUX pin		–25	+25	V
$V_{FBSENSE}$	voltage on the FBSENSE pin	current limited	–0.4	+5	V
$V_{PFCSNSE}$	voltage on the PFCSNSE pin	current limited	–0.4	+5	V
$V_{PFCTIMER}$	voltage on the PFCTIMER pin		–0.4	+5.5	V
$V_{HV}$	voltage on the HV pin		–0.4	+650	V
<b>Currents</b>					
$I_{FBCTRL}$	current on the FBCTRL pin		–3	0	mA
$I_{FBAUX}$	current on the FBAUX pin		–1	+1	mA
$I_{PFCSNSE}$	current on the PFCSNSE pin		–1	+10	mA
$I_{FBSENSE}$	current on the FBSENSE pin		–1	+10	mA
$I_{FBDRIVER}$	current on the FBDRIVER pin	duty cycle < 10 %	–0.8	+2	A
$I_{PFCDRIVER}$	current on the PFCDRIVER pin	duty cycle < 10 %	–0.8	+2	A
$I_{HV}$	current on the HV pin		-	8	mA
<b>General</b>					
$P_{tot}$	total power dissipation	$T_{amb} < 75\text{ °C}$	-	0.6	W
$T_{stg}$	storage temperature		–55	+150	°C
$T_j$	junction temperature		–40	+150	°C

**Table 3. Limiting values ...continued**  
 In accordance with the Absolute Maximum Rating System (IEC 60134).

Symbol	Parameter	Conditions	Min	Max	Unit	
<b>ESD</b>						
V <sub>ESD</sub>	electrostatic discharge voltage	class 1				
		human body model				
		pins 1 to 13	[1]	-	2000	V
		pin 16 (HV)	[1]	-	1500	V
		machine model	[2]	-	200	V
	charged device model		-	500	V	

[1] Equivalent to discharging a 100 pF capacitor through a 1.5 kΩ series resistor.

[2] Equivalent to discharging a 200 pF capacitor through a 0.75 μH coil and a 10 Ω resistor.

## 9. Thermal characteristics

**Table 4. Thermal characteristics**

Symbol	Parameter	Conditions	Typ	Unit
R <sub>th(j-a)</sub>	thermal resistance from junction to ambient	in free air; JEDEC test board	124	K/W
R <sub>th(j-c)</sub>	thermal resistance from junction to case	in free air; JEDEC test board	37	K/W

## 10. Characteristics

**Table 5. Characteristics**

T<sub>amb</sub> = 25 °C; V<sub>CC</sub> = 20 V; all voltages are measured with respect to ground (pin 2); currents are positive when flowing into the IC; unless otherwise specified.

Symbol	Parameter	Conditions	Min	Typ	Max	Unit
<b>Start-up current source (HV pin)</b>						
I <sub>HV</sub>	supply current drawn from the HV pin	V <sub>HV</sub> > 80 V				
		V <sub>CC</sub> < V <sub>trip</sub> ; V <sub>th(UVLO)</sub> < V <sub>CC</sub> < V <sub>startup</sub>	-	1	-	mA
		V <sub>trip</sub> < V <sub>CC</sub> < V <sub>th(UVLO)</sub>	-	5.4	-	mA
		with auxiliary supply	8	20	40	μA
V <sub>BR</sub>	breakdown voltage		650	-	-	V
<b>Supply voltage management (V<sub>CC</sub> pin)</b>						
V <sub>trip</sub>	trip voltage		0.55	0.65	0.75	V
V <sub>startup</sub>	start-up voltage		21	22	23	V
V <sub>th(UVLO)</sub>	undervoltage lockout threshold voltage		14	15	16	V
V <sub>start(hys)</sub>	hysteresis of start voltage	during start-up phase	-	300	-	mV
V <sub>hys</sub>	hysteresis voltage	V <sub>startup</sub> - V <sub>th(UVLO)</sub>	6.3	7	7.7	V
I <sub>ch(low)</sub>	low charging current	V <sub>HV</sub> > 80 V; V <sub>CC</sub> < V <sub>trip</sub> or V <sub>th(UVLO)</sub> < V <sub>CC</sub> < V <sub>startup</sub>	-1.2	-1.0	-0.8	mA

**Table 5. Characteristics ...continued**

$T_{amb} = 25\text{ °C}$ ;  $V_{CC} = 20\text{ V}$ ; all voltages are measured with respect to ground (pin 2); currents are positive when flowing into the IC; unless otherwise specified.

Symbol	Parameter	Conditions	Min	Typ	Max	Unit
$I_{ch(high)}$	high charging current	$V_{HV} > 80\text{ V}$ ; $V_{trip} < V_{CC} < V_{th(UVLO)}$	-4.6	-5.4	-6.3	mA
$I_{CC(oper)}$	operating supply current	no-load on FBDRIVER and PFCDRIVER pins	2.25	3	3.75	mA
<b>Input Voltage Sensing PFC (VINSENSE pin)</b>						
$V_{stop(VINSENSE)}$	stop voltage on the VINSENSE pin		0.86	0.89	0.92	V
$V_{start(VINSENSE)}$	start voltage on the VINSENSE pin		1.11	1.15	1.19	V
$\Delta V_{pu(VINSENSE)}$	pull-up voltage difference on the VINSENSE pin	active after $V_{stop(VINSENSE)}$ is detected	-	100	-	mV
$I_{pu(VINSENSE)}$	pull-up current on the VINSENSE pin	active after $V_{stop(VINSENSE)}$ is detected	-55	-47	-40	$\mu\text{A}$
$V_{mvc(VINSENSE)max}$	maximum mains voltage compensation voltage on the VINSENSE pin		4	-	-	V
$V_{flr}$	fast latch reset voltage	active after $V_{th(UVLO)}$ is detected	-	0.75	-	V
$V_{flr(hys)}$	hysteresis of fast latch reset voltage		-	0.12	-	V
$I_I(VINSENSE)$	input current on the VINSENSE pin	$V_{VINSENSE} > V_{stop(VINSENSE)}$ after $V_{start(VINSENSE)}$ is detected	5	33	100	nA
$V_{bst(dual)}$	dual boost voltage	current switch-over point	-	2.2	-	V
		switch-over region	-	200	-	mV
<b>Loop compensation PFC (PFCCOMP pin)</b>						
$g_m$	transconductance	$V_{VOSENSE}$ to $I_O(PFCCOMP)$	60	80	100	$\mu\text{A/V}$
$I_O(PFCCOMP)$	output current on the PFCCOMP pin	$V_{VOSENSE} = 2\text{ V}$	33	39	45	$\mu\text{A}$
		$V_{VOSENSE} = 3.3\text{ V}$	-45	-39	-33	$\mu\text{A}$
$V_{en(PFCCOMP)}$	enable voltage on pin PFCCOMP		-	3.5	-	V
$V_{clamp(PFCCOMP)}$	clamp voltage on the PFCCOMP pin	Low-power mode; PFC off; lower clamp voltage.	<a href="#">1</a> -	3.5	-	V
		Upper clamp voltage	-	3.9	-	V
$V_{ton(PFCCOMP)zero}$	zero on-time voltage on the PFCCOMP pin		3.4	3.5	3.6	V
$V_{ton(PFCCOMP)max}$	maximum on-time voltage on the PFCCOMP pin		1.20	1.25	1.30	V
<b>Pulse width modulator PFC</b>						
$t_{on(PFC)}$	PFC on-time	$V_{VINSENSE} = 3.3\text{ V}$ ; $V_{PFCCOMP} = V_{ton(PFCCOMP)max}$	3.6	4.5	5	$\mu\text{s}$
		$V_{VINSENSE} = 0.9\text{ V}$ ; $V_{PFCCOMP} = V_{ton(PFCCOMP)max}$	30	40	53	$\mu\text{s}$
<b>Output voltage sensing PFC (VOSENSE pin)</b>						
$V_{th(ol)(VOSENSE)}$	open-loop threshold voltage on the VOSENSE pin		-	1.15	-	V

**Table 5. Characteristics ...continued**

$T_{amb} = 25\text{ }^{\circ}\text{C}$ ;  $V_{CC} = 20\text{ V}$ ; all voltages are measured with respect to ground (pin 2); currents are positive when flowing into the IC; unless otherwise specified.

Symbol	Parameter	Conditions	Min	Typ	Max	Unit	
$V_{reg(VOSENSE)}$	regulation voltage on the VOSENSE pin	for $I_{O(PFCCOMP)} = 0$	2.475	2.500	2.525	V	
$V_{ovp(VOSENSE)}$	overvoltage protection voltage on the VOSENSE pin		2.60	2.63	2.67	V	
$I_{bst(dual)}$	dual boost current	$V_{VINSENSE} < V_{bst(dual)}$ or $V_{VOSENSE} < 2.1\text{ V}$	-	-15	-	$\mu\text{A}$	
		$V_{VINSENSE} > V_{bst(dual)}$	-	-30	-	nA	
<b>Over current protection PFC (PFCSense pin)</b>							
$V_{sense(PFC)max}$	maximum PFC sense voltage	$\Delta V/\Delta t = 50\text{ mV}/\mu\text{s}$	0.49	0.52	0.55	V	
		$\Delta V/\Delta t = 200\text{ mV}/\mu\text{s}$	0.51	0.54	0.57	V	
$t_{leb(PFC)}$	PFC leading edge blanking time		250	310	370	ns	
$I_{prot(PFCSense)}$	protection current on the PFCSense pin		-50	-	-5	nA	
<b>Soft-start PFC (PFCSense pin)</b>							
$I_{start(soft)PFC}$	PFC soft-start current		-75	-60	-45	$\mu\text{A}$	
$V_{start(soft)PFC}$	PFC soft-start voltage	enabling voltage	0.46	0.50	0.54	V	
$V_{stop(soft)PFC}$	PFC soft-stop voltage	disabling voltage	0.42	0.45	0.48	V	
<b>Oscillator PFC</b>							
$f_{sw(PFC)max}$	maximum PFC switching frequency		-	250	-	kHz	
$t_{off(PFC)min}$	minimum PFC off-time		0.8	1.1	1.4	$\mu\text{s}$	
<b>Valley switching PFC (PFCAUX pin)</b>							
$(\Delta V/\Delta t)_{vrec(PFC)}$	PFC valley recognition voltage change with time		-	-	1.7	$\text{V}/\mu\text{s}$	
$t_{vrec(PFC)}$	PFC valley recognition time	$V_{PFCAUX} = 1\text{ V peak-to-peak}$	<a href="#">2</a>	-	-	300	ns
		demagnetization to $\Delta V/\Delta t = 0$	<a href="#">3</a>	-	-	50	ns
$t_{to(vrec)PFC}$	PFC valley recognition time-out time		3	4	6	$\mu\text{s}$	
<b>Demagnetization management PFC (PFCAUX pin)</b>							
$V_{th(comp)PFCAUX}$	comparator threshold voltage on the PFCAUX pin		-150	-100	-50	mV	
$t_{to(demag)PFC}$	PFC demagnetization time-out time		40	50	60	$\mu\text{s}$	
$I_{prot(PFCAUX)}$	protection current on the PFCAUX pin	$V_{PFCAUX} = 50\text{ mV}$	-75	-	-5	nA	
<b>PFC off delay (PFCTIMER pin)</b>							
$I_{source(PFCTIMER)}$	source current on the PFCTIMER pin		-	-10	-	$\mu\text{A}$	
$I_{sink(PFCTIMER)}$	sink current on the PFCTIMER pin	$V_{PFCTIMER} = 5\text{ V}$	-	0.95	-	mA	
$V_{start(PFCTIMER)}$	start voltage on the PFCTIMER pin		-	1.27	-	V	

**Table 5. Characteristics ...continued**

$T_{amb} = 25\text{ °C}$ ;  $V_{CC} = 20\text{ V}$ ; all voltages are measured with respect to ground (pin 2); currents are positive when flowing into the IC; unless otherwise specified.

Symbol	Parameter	Conditions	Min	Typ	Max	Unit
$V_{stop(PFCTIMER)}$	stop voltage on the PFCTIMER pin		-	3.6	-	V
<b>Driver (PFCDRIVER pin)</b>						
$I_{src(PFCDRIVER)}$	source current on the PFCDRIVER pin	$V_{PFCDRIVER} = 2\text{ V}$	-	-0.5	-	A
$I_{sink(PFCDRIVER)}$	sink current on the PFCDRIVER pin	$V_{PFCDRIVER} = 2\text{ V}$	-	0.7	-	A
		$V_{PFCDRIVER} = 10\text{ V}$	-	1.2	-	A
$V_{O(PFCDRIVER)max}$	maximum output voltage on the PFCDRIVER pin		9.5	10.8	12	V
<b>OverVoltage Protection flyback (FBAUX pin)</b>						
$I_{ovp(FBAUX)}$	overvoltage protection current on the FBAUX pin		279	300	321	$\mu\text{A}$
$N_{cy(ovp)}$	number of overvoltage protection cycles		6	8	12	
<b>Demagnetization management flyback (FBAUX pin)</b>						
$V_{th(comp)FBAUX}$	comparator threshold voltage on the FBAUX pin		60	80	110	mV
$I_{prot(FBAUX)}$	protection current on the FBAUX pin	$V_{FBAUX} = 50\text{ mV}$	-75	-	-5	nA
$V_{clamp(FBAUX)}$	clamp voltage on the FBAUX pin	$I_{FBAUX} = -100\text{ }\mu\text{A}$	-0.85	-0.7	-0.55	V
		$I_{FBAUX} = 300\text{ }\mu\text{A}$	0.79	0.94	1.09	V
$t_{sup(xfmr\_ring)}$	transformer ringing suppression time		1.5	2	2.5	$\mu\text{s}$
<b>Pulse width modulator flyback</b>						
$t_{on(fb)min}$	minimum flyback on-time		-	$t_{leb}$	-	ns
$t_{on(fb)max}$	maximum flyback on-time		32	40	48	$\mu\text{s}$
<b>Oscillator flyback</b>						
$f_{sw(fb)max}$	maximum flyback switching frequency		100	125	150	kHz
$V_{start(VCO)FBCTRL}$	VCO start voltage on the FBCTRL pin		1.3	1.5	1.7	V
$f_{sw(fb)swon(PFC)}$	PFC switch-on flyback switching frequency		-	86	-	kHz
$f_{sw(fb)swoff(PFC)}$	PFC switch-off flyback switching frequency		-	48	-	kHz
$\Delta V_{VCO(FBCTRL)}$	VCO voltage difference on the FBCTRL pin		-	-0.12	-	V
<b>Peak current control flyback (FBCTRL pin)</b>						
$V_{FBCTRL}$	voltage on the FBCTRL pin	for maximum flyback peak current	1.85	2	2.15	V
$V_{to(FBCTRL)}$	time-out voltage on the FBCTRL pin	enable voltage	-	2.5	-	V
		trip voltage	4.2	4.5	4.8	V
$R_{int(FBCTRL)}$	internal resistance on the FBCTRL pin		-	3	-	k $\Omega$



**Table 5. Characteristics ...continued**

$T_{amb} = 25\text{ }^{\circ}\text{C}$ ;  $V_{CC} = 20\text{ V}$ ; all voltages are measured with respect to ground (pin 2); currents are positive when flowing into the IC; unless otherwise specified.

Symbol	Parameter	Conditions	Min	Typ	Max	Unit
$I_{O(\text{FBCTRL})}$	output current on the FBCTRL pin	$V_{\text{FBCTRL}} = 0\text{ V}$	-1.4	-1.19	-0.93	mA
		$V_{\text{FBCTRL}} = 2\text{ V}$	-0.6	-0.5	-0.4	mA
$I_{\text{to}(\text{FBCTRL})}$	time-out current on the FBCTRL pin	$V_{\text{FBCTRL}} = 2.6\text{ V}$	-36	-30	-24	$\mu\text{A}$
		$V_{\text{FBCTRL}} = 4.1\text{ V}$	-34.5	-28.5	-22.5	$\mu\text{A}$
<b>Valley switching flyback (HV pin)</b>						
$(\Delta V/\Delta t)_{\text{vrec}(\text{fb})}$	flyback valley recognition voltage change with time		-75	-	+75	$\text{V}/\mu\text{s}$
$t_{\text{d}(\text{vrec-swon})}$	valley recognition to switch on delay time		[4] -	150	-	ns
<b>Soft-start flyback (FBSENSE pin)</b>						
$I_{\text{start}(\text{soft})\text{fb}}$	flyback soft-start current		-75	-60	-45	$\mu\text{A}$
$V_{\text{start}(\text{soft})\text{fb}}$	flyback soft-start voltage	enable voltage	0.55	0.63	0.70	V
<b>Overcurrent protection flyback (FBSENSE pin)</b>						
$V_{\text{sense}(\text{fb})\text{max}}$	maximum flyback sense voltage	$\Delta V/\Delta t = 50\text{ mV}/\mu\text{s}$	0.61	0.65	0.69	V
		$\Delta V/\Delta t = 200\text{ mV}/\mu\text{s}$	0.64	0.68	0.72	V
$V_{\text{sense}(\text{fb})\text{min}}$	minimum flyback sense voltage	$\Delta V/\Delta t = 50\text{ mV}/\mu\text{s}$	0.305	0.325	0.345	V
$t_{\text{leb}(\text{fb})}$	flyback leading edge blanking time		255	305	355	ns
$I_{\text{adj}(\text{FBSENSE})}$	adjust current on the FBSENSE pin		-3.2	-3	-2.8	$\mu\text{A}$
<b>Overpower protection flyback (FBSENSE pin)</b>						
$V_{\text{sense}(\text{fb})\text{max}}$	maximum flyback sense voltage	$\Delta V/\Delta t = 50\text{ mV}/\mu\text{s}$				
		$I_{\text{FBAUX}} = 80\text{ }\mu\text{A}$	0.61	0.65	0.69	V
		$I_{\text{FBAUX}} = 120\text{ }\mu\text{A}$	0.57	0.62	0.67	V
		$I_{\text{FBAUX}} = 240\text{ }\mu\text{A}$	0.47	0.52	0.57	V
		$I_{\text{FBAUX}} = 360\text{ }\mu\text{A}$	0.41	0.46	0.51	V
<b>Driver (FBDRIVER pin)</b>						
$I_{\text{src}(\text{FBDRIVER})}$	source current on the FBDRIVER pin	$V_{\text{FBDRIVER}} = 2\text{ V}$	-	-0.5	-	A
$I_{\text{sink}(\text{FBDRIVER})}$	sink current on the FBDRIVER pin	$V_{\text{FBDRIVER}} = 2\text{ V}$	-	0.7	-	A
		$V_{\text{FBDRIVER}} = 10\text{ V}$	-	1.2	-	A
$V_{\text{O}(\text{FBDRIVER})\text{(max)}}$	maximum output voltage on the FBDRIVER pin		9.5	10.8	12	V
<b>LATCH input (LATCH pin)</b>						
$V_{\text{prot}(\text{LATCH})}$	protection voltage on the LATCH pin		1.23	1.25	1.27	V
$I_{\text{O}(\text{LATCH})}$	output current on the LATCH pin	$V_{\text{prot}(\text{LATCH})} < V_{\text{LATCH}} < V_{\text{oc}(\text{LATCH})}$	-85	-80	-75	$\mu\text{A}$
$V_{\text{en}(\text{LATCH})}$	enable voltage on the LATCH pin	at start-up	1.30	1.35	1.40	V
$V_{\text{hys}(\text{LATCH})}$	hysteresis voltage on the LATCH pin	$V_{\text{en}(\text{LATCH})} - V_{\text{prot}(\text{LATCH})}$	80	100	140	mV

**Table 5. Characteristics ...continued**

$T_{amb} = 25\text{ °C}$ ;  $V_{CC} = 20\text{ V}$ ; all voltages are measured with respect to ground (pin 2); currents are positive when flowing into the IC; unless otherwise specified.

Symbol	Parameter	Conditions	Min	Typ	Max	Unit
$V_{oc(LATCH)}$	open-circuit voltage on the LATCH pin		2.65	2.9	3.15	V
<b>Temperature protection</b>						
$T_{pl(IC)}$	IC protection level temperature		130	140	150	°C
$T_{pl(IC)hys}$	hysteresis of IC protection level temperature		-	10	-	°C

- [1] For a typical application with a compensation network on pin PFCCOMP, like the example in [Figure 3](#).
- [2] Minimum required voltage change time for valley recognition on pin PFCAUX.
- [3] Minimum time required between demagnetization detection and  $\Delta V/\Delta t = 0$  on pin PFCAUX.
- [4] Guaranteed by design.

## 11. Application information

A power supply with the TEA1752T consists of a power factor correction circuit and a flyback converter (see [Figure 17](#)).

Capacitor  $C_{VCC}$  buffers the IC supply voltage. The IC is powered using the high voltage rectified mains during start-up and the auxiliary winding of the flyback converter during operation. Sense resistors  $R_{SENSE1}$  and  $R_{SENSE2}$  convert the current through the MOSFETs S1 and S2 into a voltage at the PFCSENSE and FBSENSE pins. The values of  $R_{SENSE1}$  and  $R_{SENSE2}$  define the maximum primary peak current in MOSFETs S1 and S2.

In the example given, the LATCH pin is connected to a Negative Temperature Coefficient (NTC) resistor. The protection is activated when the resistance drops below a value calculated as follows:

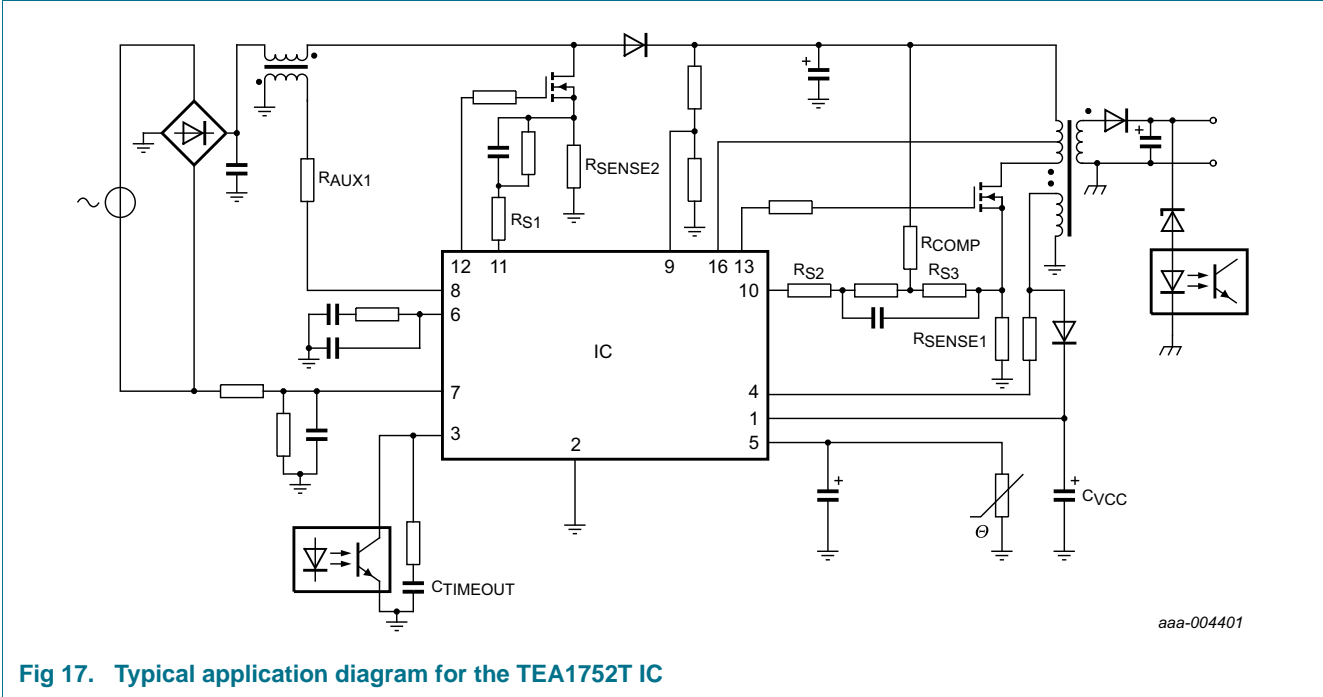
$$\frac{V_{prot(LATCH)}}{I_{O(LATCH)}} = 15.6 \text{ k}\Omega \quad (8)$$

A capacitor  $C_{TIMEOUT}$  is connected to the FBCTRL pin.  $R_{LOOP}$  is added so that the time-out capacitor does not interfere with the normal regulation loop.

$R_{S1}$  and  $R_{S2}$  are added to prevent the soft-start capacitors from being charged during normal operation due to negative voltage spikes across the sense resistors.

Resistor  $R_{AUX1}$  is added to protect the IC from damage during lightning events.

$R_{S3}$  and  $R_{COMP}$  are added to compensate for input voltage variations. The (stray) capacitance on the drain node of MOSFET S3 affects the frequency reduction slope and therefore the PFC switch-on and switch-off levels. Choosing the proper values for  $R_{S3}$  and  $R_{COMP}$  results in an input voltage independent PFC switch-on and switch-off power level.



12. Package outline

SO16: plastic small outline package; 16 leads; body width 3.9 mm

SOT109-1

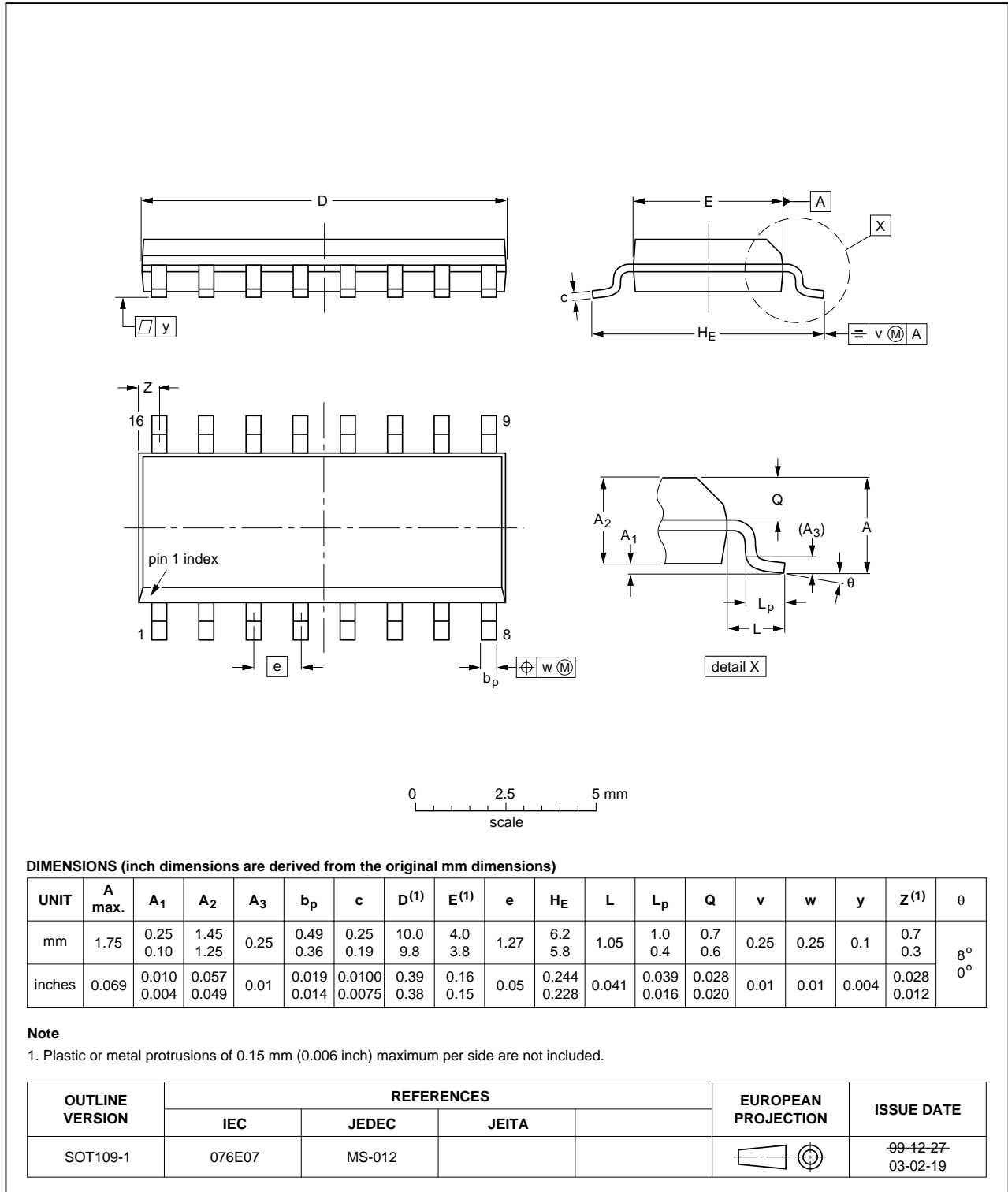


Fig 18. Package outline SOT109-1 (SO16)

## 13. Revision history

Table 6. Revision history

Document ID	Release date	Data sheet status	Change notice	Supersedes
TEA1752T v.2	20121116	Product data sheet	-	TEA1752T v.1
Modifications:	<ul style="list-style-type: none"><li>• Multiple text changes</li><li>• Multiple graphic updates</li><li>• Updates to several characteristics</li></ul>			
TEA1752T v.1	20090210	Objective data sheet	-	-

## 14. Legal information

### 14.1 Data sheet status

Document status <sup>[1][2]</sup>	Product status <sup>[3]</sup>	Definition
Objective [short] data sheet	Development	This document contains data from the objective specification for product development.
Preliminary [short] data sheet	Qualification	This document contains data from the preliminary specification.
Product [short] data sheet	Production	This document contains the product specification.

[1] Please consult the most recently issued document before initiating or completing a design.

[2] The term 'short data sheet' is explained in section "Definitions".

[3] The product status of device(s) described in this document may have changed since this document was published and may differ in case of multiple devices. The latest product status information is available on the Internet at URL <http://www.nxp.com>.

### 14.2 Definitions

**Draft** — The document is a draft version only. The content is still under internal review and subject to formal approval, which may result in modifications or additions. NXP Semiconductors does not give any representations or warranties as to the accuracy or completeness of information included herein and shall have no liability for the consequences of use of such information.

**Short data sheet** — A short data sheet is an extract from a full data sheet with the same product type number(s) and title. A short data sheet is intended for quick reference only and should not be relied upon to contain detailed and full information. For detailed and full information see the relevant full data sheet, which is available on request via the local NXP Semiconductors sales office. In case of any inconsistency or conflict with the short data sheet, the full data sheet shall prevail.

**Product specification** — The information and data provided in a Product data sheet shall define the specification of the product as agreed between NXP Semiconductors and its customer, unless NXP Semiconductors and customer have explicitly agreed otherwise in writing. In no event however, shall an agreement be valid in which the NXP Semiconductors product is deemed to offer functions and qualities beyond those described in the Product data sheet.

### 14.3 Disclaimers

**Limited warranty and liability** — Information in this document is believed to be accurate and reliable. However, NXP Semiconductors does not give any representations or warranties, expressed or implied, as to the accuracy or completeness of such information and shall have no liability for the consequences of use of such information. NXP Semiconductors takes no responsibility for the content in this document if provided by an information source outside of NXP Semiconductors.

In no event shall NXP Semiconductors be liable for any indirect, incidental, punitive, special or consequential damages (including - without limitation - lost profits, lost savings, business interruption, costs related to the removal or replacement of any products or rework charges) whether or not such damages are based on tort (including negligence), warranty, breach of contract or any other legal theory.

Notwithstanding any damages that customer might incur for any reason whatsoever, NXP Semiconductors' aggregate and cumulative liability towards customer for the products described herein shall be limited in accordance with the *Terms and conditions of commercial sale* of NXP Semiconductors.

**Right to make changes** — NXP Semiconductors reserves the right to make changes to information published in this document, including without limitation specifications and product descriptions, at any time and without notice. This document supersedes and replaces all information supplied prior to the publication hereof.

**Suitability for use** — NXP Semiconductors products are not designed, authorized or warranted to be suitable for use in life support, life-critical or safety-critical systems or equipment, nor in applications where failure or malfunction of an NXP Semiconductors product can reasonably be expected to result in personal injury, death or severe property or environmental damage. NXP Semiconductors and its suppliers accept no liability for inclusion and/or use of NXP Semiconductors products in such equipment or applications and therefore such inclusion and/or use is at the customer's own risk.

**Applications** — Applications that are described herein for any of these products are for illustrative purposes only. NXP Semiconductors makes no representation or warranty that such applications will be suitable for the specified use without further testing or modification.

Customers are responsible for the design and operation of their applications and products using NXP Semiconductors products, and NXP Semiconductors accepts no liability for any assistance with applications or customer product design. It is customer's sole responsibility to determine whether the NXP Semiconductors product is suitable and fit for the customer's applications and products planned, as well as for the planned application and use of customer's third party customer(s). Customers should provide appropriate design and operating safeguards to minimize the risks associated with their applications and products.

NXP Semiconductors does not accept any liability related to any default, damage, costs or problem which is based on any weakness or default in the customer's applications or products, or the application or use by customer's third party customer(s). Customer is responsible for doing all necessary testing for the customer's applications and products using NXP Semiconductors products in order to avoid a default of the applications and the products or of the application or use by customer's third party customer(s). NXP does not accept any liability in this respect.

**Limiting values** — Stress above one or more limiting values (as defined in the Absolute Maximum Ratings System of IEC 60134) will cause permanent damage to the device. Limiting values are stress ratings only and (proper) operation of the device at these or any other conditions above those given in the Recommended operating conditions section (if present) or the Characteristics sections of this document is not warranted. Constant or repeated exposure to limiting values will permanently and irreversibly affect the quality and reliability of the device.

**Terms and conditions of commercial sale** — NXP Semiconductors products are sold subject to the general terms and conditions of commercial sale, as published at <http://www.nxp.com/profile/terms>, unless otherwise agreed in a valid written individual agreement. In case an individual agreement is concluded only the terms and conditions of the respective agreement shall apply. NXP Semiconductors hereby expressly objects to applying the customer's general terms and conditions with regard to the purchase of NXP Semiconductors products by customer.

**No offer to sell or license** — Nothing in this document may be interpreted or construed as an offer to sell products that is open for acceptance or the grant, conveyance or implication of any license under any copyrights, patents or other industrial or intellectual property rights.

**Export control** — This document as well as the item(s) described herein may be subject to export control regulations. Export might require a prior authorization from competent authorities.

**Non-automotive qualified products** — Unless this data sheet expressly states that this specific NXP Semiconductors product is automotive qualified, the product is not suitable for automotive use. It is neither qualified nor tested in accordance with automotive testing or application requirements. NXP Semiconductors accepts no liability for inclusion and/or use of non-automotive qualified products in automotive equipment or applications.

In the event that customer uses the product for design-in and use in automotive applications to automotive specifications and standards, customer (a) shall use the product without NXP Semiconductors' warranty of the product for such automotive applications, use and specifications, and (b) whenever customer uses the product for automotive applications beyond NXP Semiconductors' specifications such use shall be solely at customer's

own risk, and (c) customer fully indemnifies NXP Semiconductors for any liability, damages or failed product claims resulting from customer design and use of the product for automotive applications beyond NXP Semiconductors' standard warranty and NXP Semiconductors' product specifications.

**Translations** — A non-English (translated) version of a document is for reference only. The English version shall prevail in case of any discrepancy between the translated and English versions.

## 14.4 Trademarks

Notice: All referenced brands, product names, service names and trademarks are the property of their respective owners.

**GreenChip** — is a trademark of NXP B.V.

## 15. Contact information

For more information, please visit: <http://www.nxp.com>

For sales office addresses, please send an email to: [salesaddresses@nxp.com](mailto:salesaddresses@nxp.com)



## 16. Contents

<b>1</b>	<b>General description</b> . . . . .	<b>1</b>	7.3.10	Overpower protection	19
<b>2</b>	<b>Features and benefits</b> . . . . .	<b>2</b>	7.3.11	Driver (FBDRIVER pin)	20
2.1	Distinctive features	2	<b>8</b>	<b>Limiting values</b>	<b>20</b>
2.2	Green features	2	<b>9</b>	<b>Thermal characteristics</b>	<b>21</b>
2.3	PFC green features	2	<b>10</b>	<b>Characteristics</b>	<b>21</b>
2.4	Flyback green features	2	<b>11</b>	<b>Application information</b>	<b>27</b>
2.5	Protection features	2	<b>12</b>	<b>Package outline</b>	<b>29</b>
<b>3</b>	<b>Applications</b>	<b>2</b>	<b>13</b>	<b>Revision history</b>	<b>30</b>
<b>4</b>	<b>Ordering information</b>	<b>3</b>	<b>14</b>	<b>Legal information</b>	<b>31</b>
<b>5</b>	<b>Block diagram</b>	<b>4</b>	14.1	Data sheet status	31
<b>6</b>	<b>Pinning information</b>	<b>5</b>	14.2	Definitions	31
6.1	Pinning	5	14.3	Disclaimers	31
6.2	Pin description	5	14.4	Trademarks	32
<b>7</b>	<b>Functional description</b>	<b>6</b>	<b>15</b>	<b>Contact information</b>	<b>32</b>
7.1	General control	6	<b>16</b>	<b>Contents</b>	<b>33</b>
7.1.1	Start-up and UnderVoltage LockOut (UVLO)	6			
7.1.2	Supply management	8			
7.1.3	Latch input	8			
7.1.4	Fast latch reset	9			
7.1.5	Overtemperature protection	9			
7.2	Power factor correction circuit	9			
7.2.1	t <sub>on</sub> control	9			
7.2.2	Valley switching and demagnetization (PFCAUX pin)	9			
7.2.3	Frequency limitation	10			
7.2.4	Mains voltage compensation (VINSENSE pin)	10			
7.2.5	Soft start-up (PFCSENSE pin)	10			
7.2.6	Low-power mode	11			
7.2.7	PFC off delay (PFCTIMER pin)	11			
7.2.8	Dual-boost PFC	12			
7.2.9	Overcurrent protection (PFCSENSE pin)	12			
7.2.10	Mains undervoltage lockout/brownout protection (VINSENSE pin)	12			
7.2.11	Overvoltage protection (VOSENSE pin)	12			
7.2.12	PFC open-loop protection (VOSENSE pin)	13			
7.2.13	Driver (PFCDRIVER pin)	13			
7.3	Flyback controller	13			
7.3.1	Multimode operation	13			
7.3.2	Valley switching (HV pin)	14			
7.3.3	Current mode control (FBSENSE pin)	15			
7.3.4	Demagnetization (FBAUX pin)	16			
7.3.5	Flyback control/time-out (FBCTRL pin)	16			
7.3.6	Soft-start-up (FBSENSE pin)	17			
7.3.7	Maximum on-time	18			
7.3.8	Overvoltage protection (FBAUX pin)	18			
7.3.9	Overcurrent protection (FBSENSE pin)	19			

Please be aware that important notices concerning this document and the product(s) described herein, have been included in section 'Legal information'.

© NXP B.V. 2012. All rights reserved.

For more information, please visit: <http://www.nxp.com>  
 For sales office addresses, please send an email to: [salesaddresses@nxp.com](mailto:salesaddresses@nxp.com)

Date of release: 16 November 2012  
 Document identifier: TEA1752T