



New Product Announcement

.....

AP4340S

Dynamic PSR Accelerator

The AP4340S is a low power loss, output voltage detector for a Primary Side Control System.

The device detects the output voltage and provides a periodical signal when the output voltage is lower than a certain threshold.

The periodical signal can be coupled by the transformer to the primary side and provided as an awakening signal for the main primary side controller.

By fast response to secondary side voltage, the AP4340S can effectively improve the transient performance of the Primary Side Control System.

The AP4340S will enable a discharge circuit when it detects the output voltage is higher than a certain threshold.

The AP4340S is available in a SOT23 package.



The Diodes' Advantage

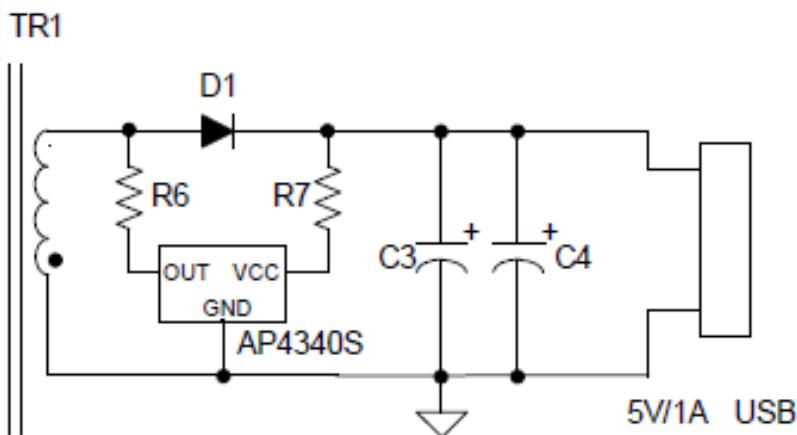
The AP4340S is a dynamic PSR accelerator.

- **Fast Detector of Supply Voltages for 5V output Charger**
Wake up primary controller in deep sleeping mode
- **No External Components**
Cost effective solution
- **Low Power Loss for Green Mode Applications**
Beneficial for low standby power applications

Applications

- Charger/Adapter for 5V output portable applications

Typical Application Schematic



Product Portfolio

Part Number	Vcc Max (V)	Power-on Voltage (V)	Startup Current (µA)	Operating Current (µA)	Trigger Voltage (V)	Discharge Voltage (V)	Discharge Current (mA)	Vovp (V)	Iovp (mA)	Package Outline
AP4340S	5.5	3.1	5	15	4.73	5.3	2.2	5.78	170	SOT23

To find out more information:

Datasheet: <http://diodes.com/datasheets/AP4340S.pdf>

Ordering Information

Part Number	Package	Temperature Range	Marking ID	Packing
AP4340SNTR-G1	SOT23	-40 to +150°C	GTA	3000/Tape & Reel