

POWER MANAGEMENT SYSTEM DEVICE

RN5T568 Series

Datasheet

Version.1.00

2020.02.05



Nisshinbo Micro Devices Inc.

1. Outline

This IC is the power management IC for GPS-PND/STB/POS/Panel Computer and so on. It integrates four high-efficiency step-down DCDC converters, seven low dropout regulators, power control logic, I2C-Bus Interface, voltage detections, thermal shut-down, etc.

2. Features

●System

- ✓ I2C-Bus interface @3.4MHz and 400kHz
- ✓ Detector function (System/IO, UVLO, DETVSB)
- ✓ Thermal shutdown function
- ✓ Watchdog timer
- ✓ Power on key input for System's power up
- ✓ Power on reset output for CPU
- ✓ Flexible power-on/off sequence by OTP
- ✓ Flexible DCDCx and LDOx default-on/off control by OTP

●High Efficiency Step-down DC/DC Converters

- ✓ DC/DC1 0.6-3.5V Max. 3000mA
- ✓ DC/DC2 0.6-3.5V Max. 3000mA
- ✓ DC/DC3 0.6-3.5V Max. 2000mA
- ✓ DC/DC4 0.6-3.5V Max. 2000mA
- ✓ Soft-start circuit

●Low Drop Voltage Regulators

- ✓ LDO1 0.9-3.5V Max. 300mA
- ✓ LDO2 0.9-3.5V Max. 300mA
- ✓ LDO3 0.6-3.5V Max. 300mA
- ✓ LDO4 0.9-3.5V Max. 200mA
- ✓ LDO5 0.9-3.5V Max. 200mA
- ✓ LDORTC1 1.2-3.5V Max. 30mA (Always-on, For coin battery)
- ✓ LDORTC2 0.9-3.5V Max. 10mA (Always-on)
- ✓ Overcurrent Protection and Short circuit Protection.

●4ch-GPIO

- ✓ Supports interrupt function (level/edge) for input signals
- ✓ Outputs power-on signal for external devices
- ✓ Power on/off input for System's power up/down
- ✓ DCDCx and LDOx can be controlled by external input
- ✓ GPIO2 can output LDORTC2
- ✓ GPIO0 and GPIO1 have maximum 15mA sink for LED.
- ✓ GPIOx have Output C32KOUT of internal clock for external devices.

●Interrupt Controller (INTC)

- Package QFN0707-48 (0.5mm pitch)
- Process CMOS

3. Block Diagram

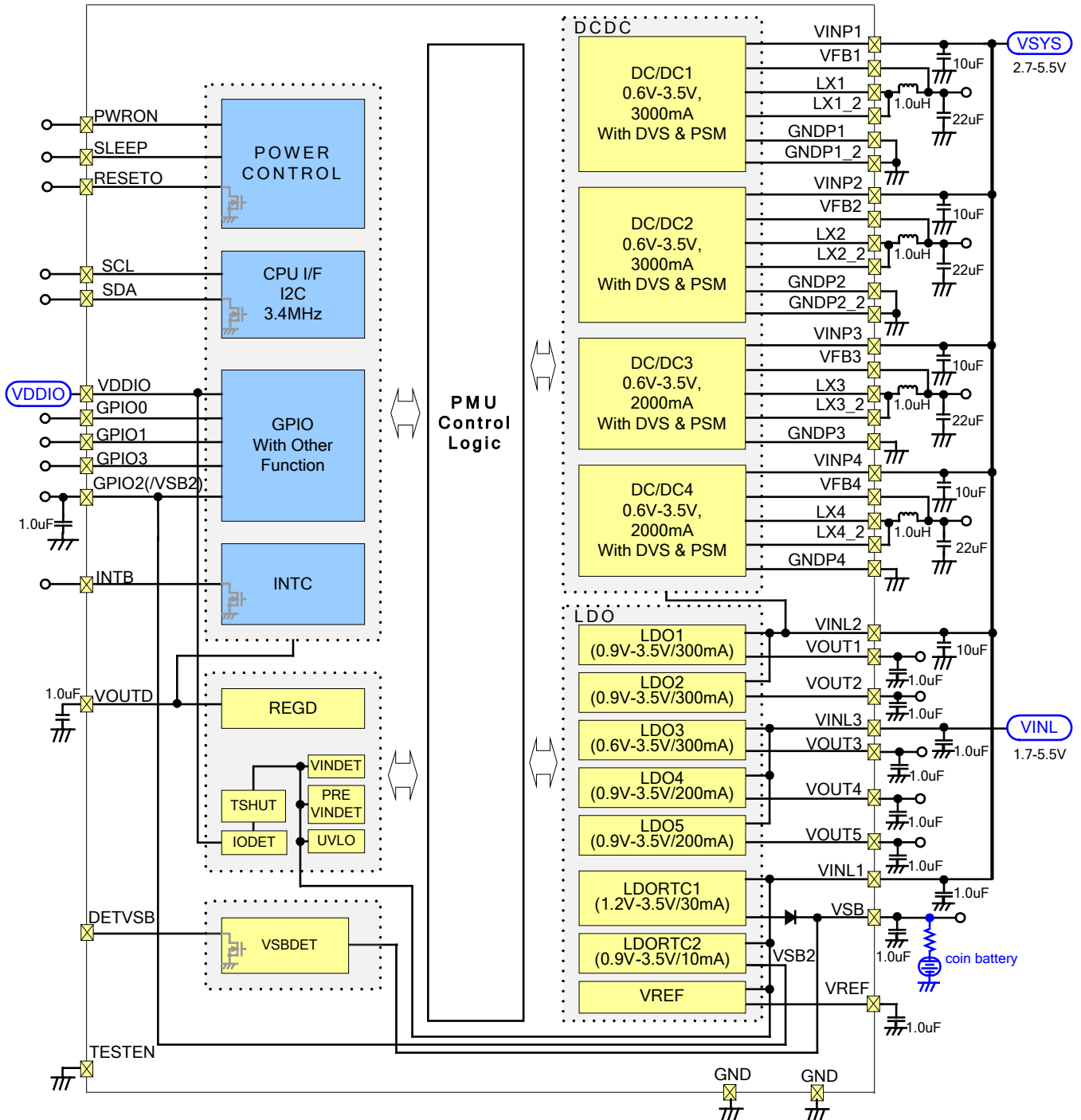


Fig. 3-1 Block Diagram

4. Electrical Characteristics

4.1 Absolute Maximum Ratings

Exposure to the condition exceeded absolute maximum ratings may cause the permanent damages and affect the reliability and safety of both device and systems using the device. The functional operations cannot be guaranteed beyond specified values in the recommended conditions.

Symbol	Parameter	Condition	Min.	Max.	Unit
V _{PS1}	Power Supply Voltage 1	VINP1-4 and VINL1-3 pins	-0.3	6.0	V
V _{PS2}	Power Supply Voltage 2	VDDIO pin	-0.3	4.5	V
V _{INPUT}	Input Voltage Range	PWRON and SLEEP pins	-0.3	VINL1 + 0.3	V
		SDA and SCL pins	-0.3	4.5	V
		GPIO0-1 pins	-0.3	VINL1 + 0.3 / VDDIO + 0.3	V
		GPIO2-3 pins	-0.3	VINL1 + 0.3	V
V _{OUTPUT}	Output Voltage Range	RESETO, INTB and GPIO2-3 pins	-0.3	VINL1 + 0.3	V
		GPIO0-1 pins	-0.3	VINL1 + 0.3 / VDDIO + 0.3	V
		DETVSB pin	-0.3	VSB ⁽¹⁾ + 0.3	V
T _{stg}	Storage Temperature	—	-55	125	°C
P _D	Package Dissipation	Refer to Appendix "Power Dissipation"			

Table 4-1 Absolute Maximum Ratings

4.2 Recommendation of Operating Conditions

Symbol	Parameter	Condition	Min	Typ	Max	Unit
VSYS	Power Supply Voltage	VINP1-4 and VINL1-2 pin ⁽²⁾	2.7	3.6	5.5	V
VINL	Power Supply Voltage	VINL3 pin ⁽³⁾	1.7	3.6	5.5	V
VDDIO	Power Supply Voltage	VDDIO pin (VSYS > VDDIO)	1.7	1.8	3.4	V
VSB	Power Supply Voltage	VSB pin	1.45	3.1	3.4	V
GND	Ground	GND		0		V
T _a	Temperature of Operation	-	-40		85	°C

Table 4-2 Recommendation of Operating Conditions

⁽¹⁾ VSB: LDORTC1_Output or Coin Battery

⁽²⁾ VINP1-4 and VINL2 must be equal to VINL1. However, if POWROFF state, VINP1-4 and VINL2 is possible to power-off (Only Parts Mode and then Input pin level must be GND).

⁽³⁾ VINL3 must be less than or equal to VINL1.

4.3 I/O Electrical Characteristics

Symbol	Parameter	Condition	Min	Typ	Max	Unit
<i>VINL1 NMOS Input Pin: PWRON, SLEEP, GPIO0, GPIO1, GPIO2, GPIO3</i>						
VIL	Low level input voltage				0.4	V
VIH	High level input voltage		1.4		VINL1	V
<i>VINL1 Nch Open Drain Output Pin: RESET0</i>						
VOL	Low level output voltage	$I_{OUT} = 2\text{mA}$			0.4	V
Vto	Tolerant				VINL1	V
<i>VINL1 CMOS Input / Output Pin: GPIO0, GPIO1, GPIO2, GPIO3</i>						
VIL	Low level input voltage				VINL1*0.2	V
VIH	High level input voltage		VINL1*0.8		VINL1	V
VOL	Low level output voltage	$I_{OUT} = 4\text{mA}$			0.4	V
VOH	High level output voltage	$I_{OUT} = -4\text{mA}$	VINL1-0.4			V
<i>VINL1 Nch Open Drain Output Pin: INTB, GPIO0, GPIO1, GPIO2, GPIO3</i>						
VOL	Low level output voltage	$I_{OUT} = 4\text{mA}$			0.4	V
Vto	Tolerant				VINL1	V
<i>VINL1 Nch Open Drain Output Pin: GPIO0, GPIO1 (for LED)</i>						
VOL	Low level output voltage	$I_{OUT} = 15\text{mA}$			0.4	V
Vto	Tolerant				VINL1	V
<i>VSB Nch Open Drain Output Pin: DETVSB</i>						
VOL	Low level output voltage	$I_{OUT} = 1\text{mA}$			0.2	V
Vto	Tolerant				VSB	V
<i>Voutd⁽¹⁾ Cmos Input Pin (Schmitt Input): SCL</i>						
VIL	Low level input voltage				VOUTD *0.3	V
VIH	High level input voltage		VOUTD *0.7		3.4	V
ΔVI	Hysteresis		VOUTD *0.1			V
<i>VOUTD⁽¹⁾ CMOS Input / Output Pin (Schmitt Input / Nch Open Drain Output): SDA</i>						
VIL	Low level input voltage				VOUTD *0.3	V
VIH	High level input voltage		VOUTD *0.7		3.4	V
ΔVI	Hysteresis		VOUTD *0.1			V
VOL	Low level output voltage	$I_{OUT} = 3\text{mA}$			0.4	V
<i>VDDIO CMOS Input / Output Pin: GPIO0, GPIO1</i>						
VIL	Low level input voltage				VDDIO*0.2	V
VIH	High level input voltage		VDDIO*0.8		VDDIO	V
VOL	Low level output voltage	$I_{OUT} = 4\text{mA}$			0.4	V
VOH	High level output voltage	$I_{OUT} = -4\text{mA}$	VDDIO-0.4			V

Table 4-3 I/O Electrical Characteristics

⁽¹⁾ VOUTD: REGD_Output (1.8 V)

4.4 Consumption Current

Operating Conditions (unless otherwise specified)

Ta = 25 °C, V_{IN} = 3.6V, No-load

Symbol	Parameter	Condition	Min	Typ	Max	Unit
I _{ST}	Standby Current	Power-Off		15		μA
I _{OP}	Operating Current	Power-On ⁽¹⁾		350		μA
I _{SLP}	Sleep Current	Sleep ⁽¹⁾		100		μA

Table 4-4 Consumption Current

	Power-Off	Power-On	Sleep
LDO1	—	√	—
LDO2	—	√	—
LDO3	—	√	√
LDO4	—	√	√
LDO5	—	√	—
LDORTC1	√	√	√
LDORTC2	—	—	—
VREF	√	√	√
DCDC1	—	√	—
DCDC2	—	√	√ (ECO)
DCDC3	—	—	—
DCDC4	—	—	—
UVLO	√	√	√
VINDET	√	√	√
IODET	√	√	√
PREVINDET	√	√	√
VSBDET	√	√	√
TSHUT	√	√	√
REGD	√	√	√
Internal Logic	√	√	√

Table 4-5 Logic-to-Condition Correlation Table

⁽¹⁾ It is possible to change the enabled LDO/DCDC at Power-On / Sleep. Refer to *Logic-to-Condition Correlation* in Table 4-5 for details.

5. Pin Description

5.1 Pin Configuration

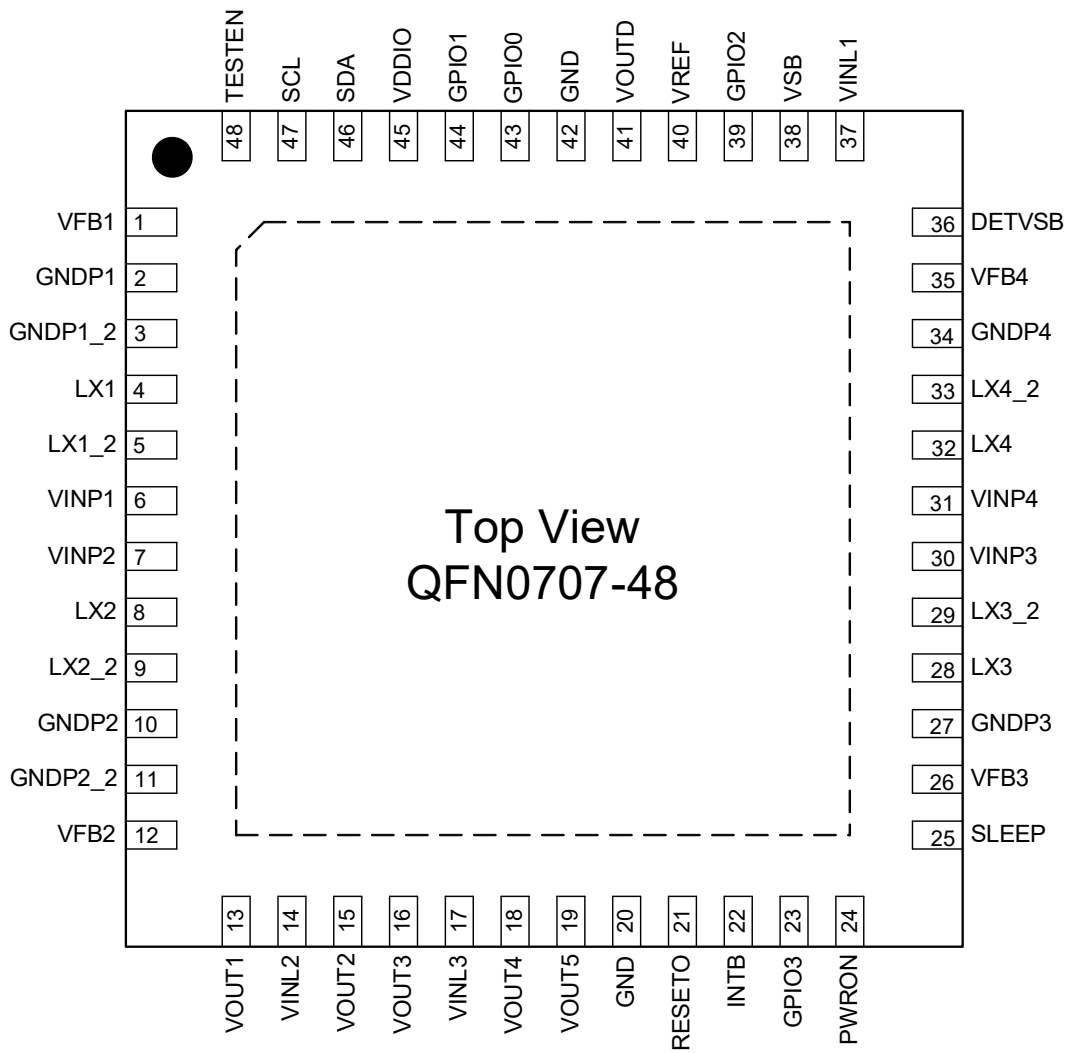


Fig. 5-1 Pin Configuration

5.2 Pin Description

NO.	Pin Name	Function	I/O ⁽¹⁾	D/A ⁽²⁾	Reset State ⁽³⁾		Notes
1	VFB1	DCDC1 output voltage feedback input					
2	GNDP1	GND for DCDC1	—	G			
3	GNDP1_2						
4	LX1	DCDC1 switch output	O	A			
5	LX1_2						
6	VINP1	Power supply for DCDC	—	A			
7	VINP2	Power supply for DCDC2	—	A			
8	LX2	DCDC2 switch output	O	A			
9	LX2_2						
10	GNDP2	GND for DCDC2	—	G			
11	GNDP2_2						
12	VFB2	DCDC2 output voltage feedback input	I/O	A			
13	VOUT1	LDO1 output	O	A			
14	VINL2	Power supply for LDO1/2 and DCDC analog	—	P			
15	VOUT2	LDO2 output	O	A			
16	VOUT3	LDO3 output	O	A			
17	VINL3	Power supply for LDO3/4/5	—	P			
18	VOUT4	LDO4 output	O	A			
19	VOUT5	LDO5 output	O	A			
20	GND	GND for logic circuit / analog circuit / IO, etc	—	G			
21	RESETO	Host reset output	O	D	O	Low	NOD
22	INTB	Interrupt request output	O	D	O	Hi-z	NOD
23	GPIO3	General purpose I/O	I/O	D	(4)	(4)	(4)
24	PWRON	External power on signal input	I	D	I	—	1.4V to VINL1
25	SLEEP	Standby mode control signal input	I	D	I	—	1.4V to VINL1
26	VFB3	DCDC3 output voltage feedback input	I/O	A			
27	GNDP3	GND for DCDC3	—	G			
28	LX3	DCDC3 switch output	O	A			
29	LX3_2						
30	VINP3	Power supply for DCDC3	—	P			
31	VINP4	Power supply for DCDC4	—	P			
32	LX4	DCDC4 switch output	O	A			
33	LX4_2						
34	GNDP4	GND for DCDC4	—	G			
35	VFB4	DCDC4 output voltage feedback input	I/O	A			
36	DETVSB	Voltage detection VSB output (Nch Open drain)	O	D	O	—	
37	VINL1	Power supply for LDORTC1/2, VREF, DET, IO, etc	—	P			
38	VSB	LDORTC1 output	O	A			
39	GPIO2(/VSB2)	General purpose I/O	I/O	D	(4)	(4)	(4)
40	VREF	Bypass capacitor connecting pin	O	A			
41	VOUTD	Capacitor connection for built-in regulator	O	A			
42	GND	GND for logic circuit / analog circuit / IO, etc	—	G			
43	GPIO0	General purpose I/O	I/O	D	(4)	(4)	(4)
44	GPIO1						
45	VDDIO	Power supply for CPU interface	—	P			
46	SDA	I ² C-but data input / output	I/O	D	I	—	Schmitt, NOD
47	SCL	I ² C-but data clock input	I	D	I	—	CMOS
48	TESTEN	For TEST (Connected to GND)	I	D	I	PD	CMOS Schmitt

Table 5-1 Pin Description

(1) I: Input, O: Output

(2) A: Analog, D: Digital, P: Power, G: Ground

(3) Reset State: RESETO = Low

(4) GP00-GP03: "Input" or "Output" is selectable by OTP. Input / Output type (CMOS or NMOS or Analog or Nch Open Drain Output) is selectable by OTP. Refer to the chapter of GPIO for details.

6. Power Control

This PMU has the power-on/off sequence that can be flexibly set by OTP. The default on/off, timing, and voltage of DCDCx and LDOx are programmable. In addition, GPIO0-GPIO3 pins output the power-on/off signal to external LDO/DCDC by the setting of OTP.

6.1 State Machine Diagram

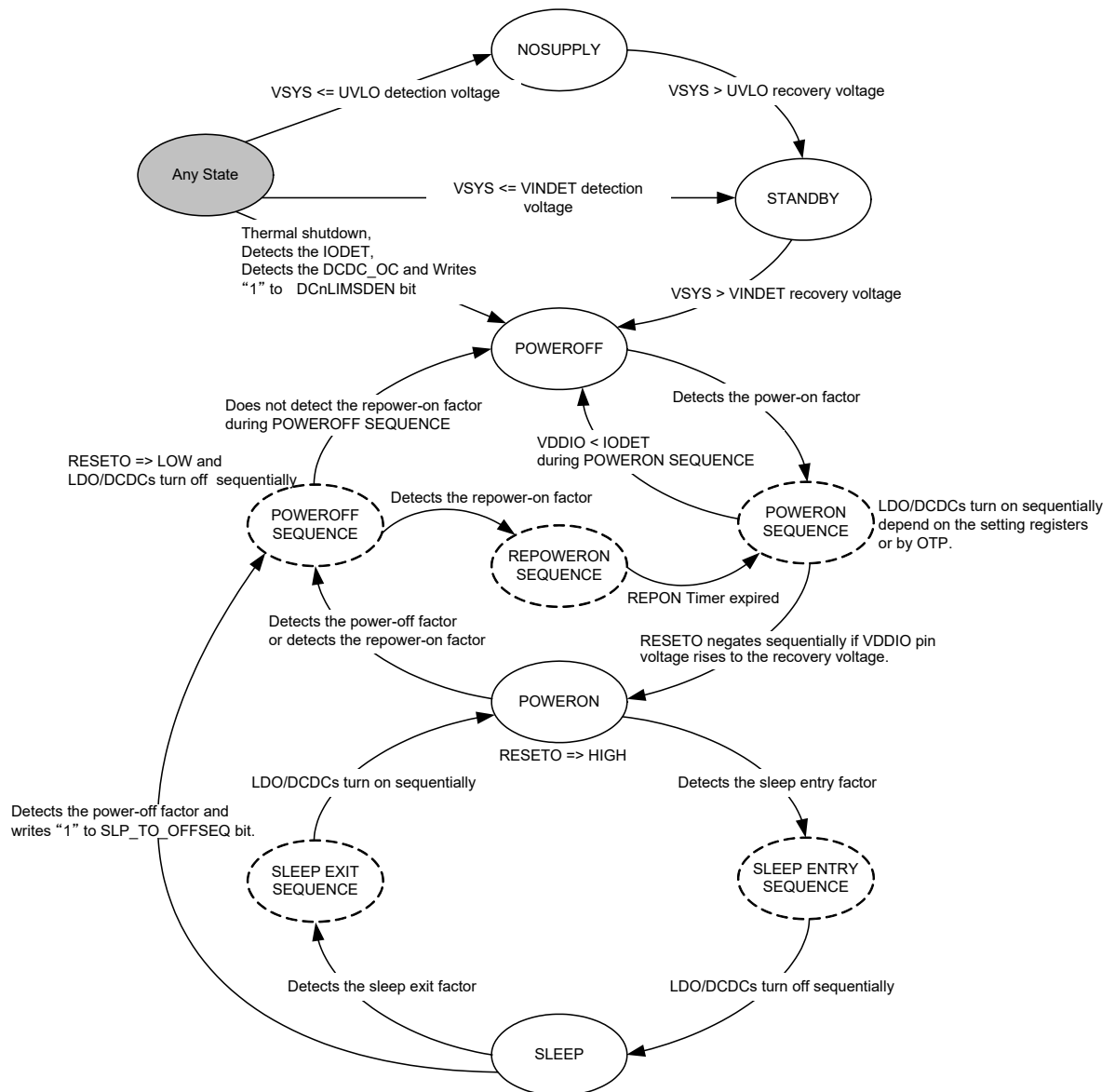


Fig. 6-1 Power Control State Machine Diagram

6.2 State Machine Description

The state machine will step through the following statuses:

NOSUPPLY

The power supply to VSYS falls below the UVLO detection voltage.

STANDBY

The power supply to VSYS rises above the UVLO recovery voltage, followed by LDORTC1 turns on.

POWEROFF

The power supply to VSYS rises above the VINDET recovery voltage. This PMU is always monitoring the power-on factor, and if the factor is detected, it will start the power-on sequence.

POWERON SEQUENCE

LDO/DCDCs turn on sequentially according to a pre-programmed order by OTP. And RESETO will be pulled up high sequentially if VDDIO pin voltage rises to the recovery voltage. Even if VDDIO pin voltage falls below the IODET detection voltage during POWERON SEQUENCE state, it will change to POWEROFF state.

POWERON

RESETO is pulled up high. CPU can control this PMU through some control pins or I2C Interface. In this state, this PMU is always monitoring the power-off or the repower-on factors.

POWEROFF SEQUENCE

This PMU will change to this state by detecting the power-off factor in POWERON state. In this state, RESETO pin is output low level and all LDO/DCDCs turn off sequentially in reverse order of power-on sequence.

REPOWERON SEQUENCE

This PMU will change to this state by detecting the repower-on factor. RESETO pin is output low level, and all LDO/DCDCs turn off sequentially in reverse order of power-on sequence. After turn-off is completed, repower-on timer starts, and it will change to POWERON SEQUENCE state when repower-on timer expired.

SLEEP ENTRY / EXIT SEQUENCE

This PMU will change to this state by detecting the deep sleep entry/exit factor. LDO/DCDCs turn off/on sequentially and enter or exit SLEEP. Refer to SLEEP ENTRY / EXIT SEQUENCE section.

SLEEP

This PMU will change to this state through SLEEP ENTRY SEQUENCE. In this state, it operates the low power consumption.

Shutdown

If this PMU detects conditions shown below, this PMU will change to NOSUPPLY state or STANDBY state or POWEROFF state regardless of the current state

- Low input voltage under the UVLO detection voltage
- Low input voltage under the VINDET detection voltage
- Low input voltage under the IODET detection voltage
(Shutdown operation is disabled during POWERON/OFF and REPOWERON SEQUENCE.)
- Abnormal temperature
- Over current of DCDCx
(Shutdown operation is disabled during POWERON/OFF SEQUENCE.)

6.3 Power-on Sequence

This PMU's power is turned on by detecting the power-on factor at the POWEROFF state. The default settings of the resources as shown below are programmable. The slot duration can be selected in 0.5ms and 2ms by OTP.

[Controllable Resources]

DCDC1-4, LDO1-5, RESETO, PSO0-3(GPIO0-3)

[Power-on Factor]

PWRON ⁽¹⁾: High level input more than certain time to PWRON pin.

ON_EXTIN(GPIO*): High input to ON_EXTIN pin.

Note: This PMU powers on/off according to the on/off sequence. The interrupt is output when these pins are asserted. The power-on/off history is stored by the history register.

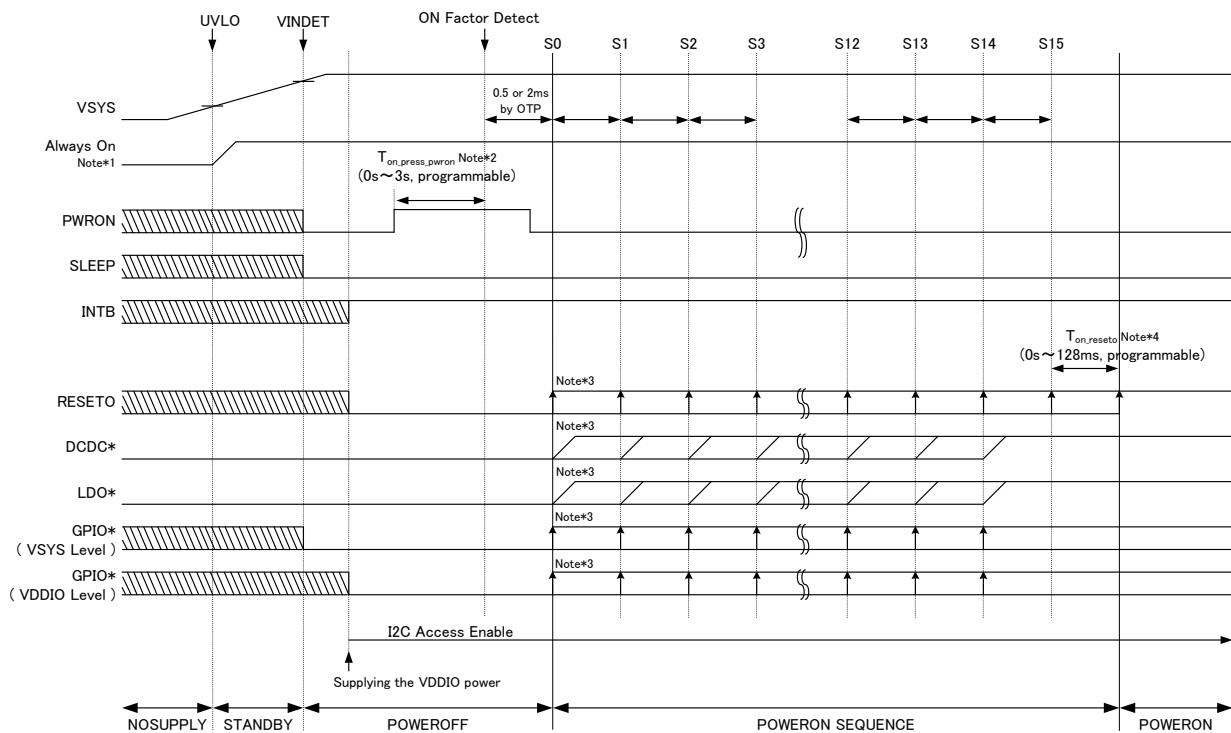


Fig. 6-2 Power-on Sequence

Note*1: Always On is VREF/REGD. Only LDORTC2 default on/off is programmable by OTP.

LDORTC1 power-on timing is programmable either always-on or power-on sequence on by OTP.

Note*2: Initial values of register can be configured by OTP. (0sec/100us/20ms/128ms/1sec/2sec/3sec)

Note*3: DCDCx/LDOx/GPIOx power-on timing is programmable by OTP. (S0 to S14)

RESETO release timing is programmable by OTP. (S0 to S15)

Selected slot of DCDCx/LDOx/GPIOx must be set before RESETO release slot.

Note*4: RESETO has extra time (0sec/32ms/64ms/128ms) by OTP when it is programmed S15.

(1) PWRON polarity is programmable by OTP.

6.4 Power-Off Sequence

This PMU's power is turn off by detecting the power-off factor at the POWERON or SLEEP state.

[Power-off Factor]

- Long power on key press: High level input more than certain time to PWRON pin.
- Watchdog timer: The internal watchdog timer expires.
- <SWPWROFF> register: The CPU writes a dedicated register.
- N_OE(GPIO*): High level input more than certain time to N_OE pin.
- PSHOLD(GPIO*): Low input to PSHOLD pin.

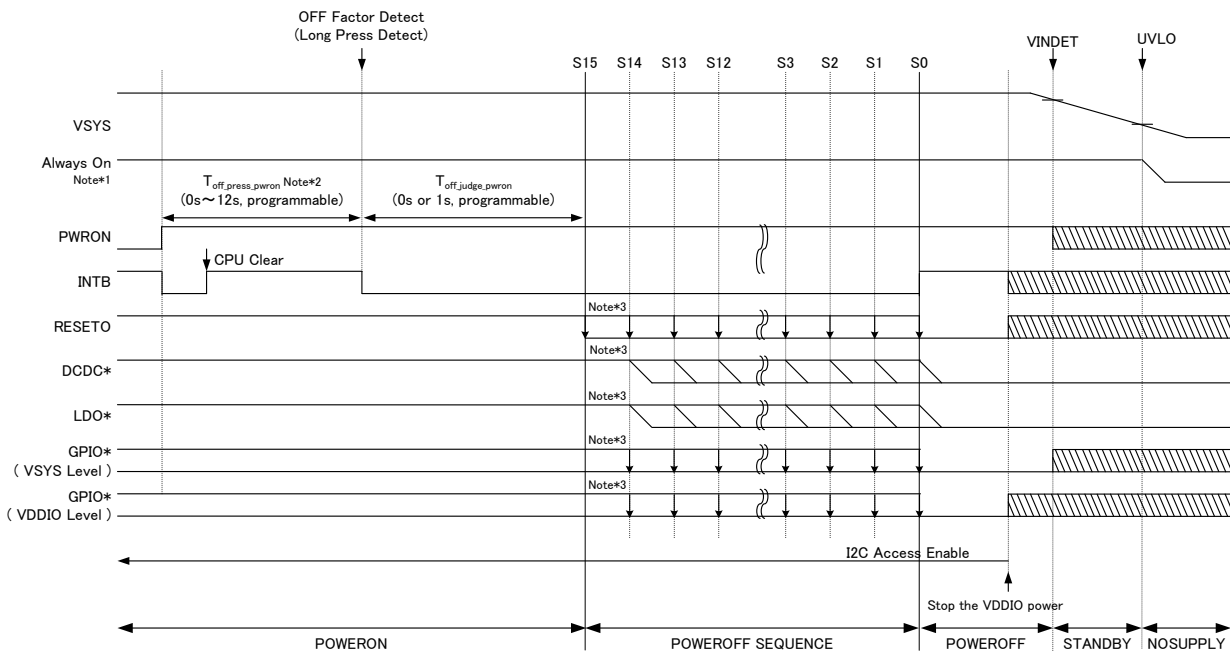


Fig. 6-3 Power-off Sequence

Note*1: Always On is VREF/REGD. Only LDORTC2 default on/off is programmable by OTP.

LDORTC1 power-on timing is programmable either always-on or power-on sequence on by OTP.

Note*2: This value can be selected by register. (0sec/1sec/2sec/4sec/6sec/8sec/10sec/12sec)

Note*3: The power-off timing reverse order of the power-on sequence.

Selected slot of DCDCx / LDOx / GPIOx must set after RESETO assert slot.

6.5 Sleep Entry / Exit Sequence

This PMU is changed to the SLEEP state by detecting the sleep-entry factor at the PWRON and PWRON SEQUENCE state.

The state change timing of some resources as shown below is programmable.

[Controllable resources]

- Active/Sleep Control: DCDC1-4, LDO1-5, PSO0-3(GPIO0-3)
- Output Voltage Control: DCDC1-4, LDO1-5

And, this PMU is changed to the PWRON state by detecting the Sleep-exit factor at the SLEEP state.

The state change timing of some resources is performed in reverse order of the sleep-entry sequence.

[Sleep-entry factor]

- SLEEP: High input to SLEEP pin.
- <SLPENT> register: The CPU writes a dedicated register.

[Sleep-exit factor]

- SLEEP: Low input to SLEEP pin.
- <SLPEXIT> register: The CPU writes a dedicated register.

Sleep Sequence

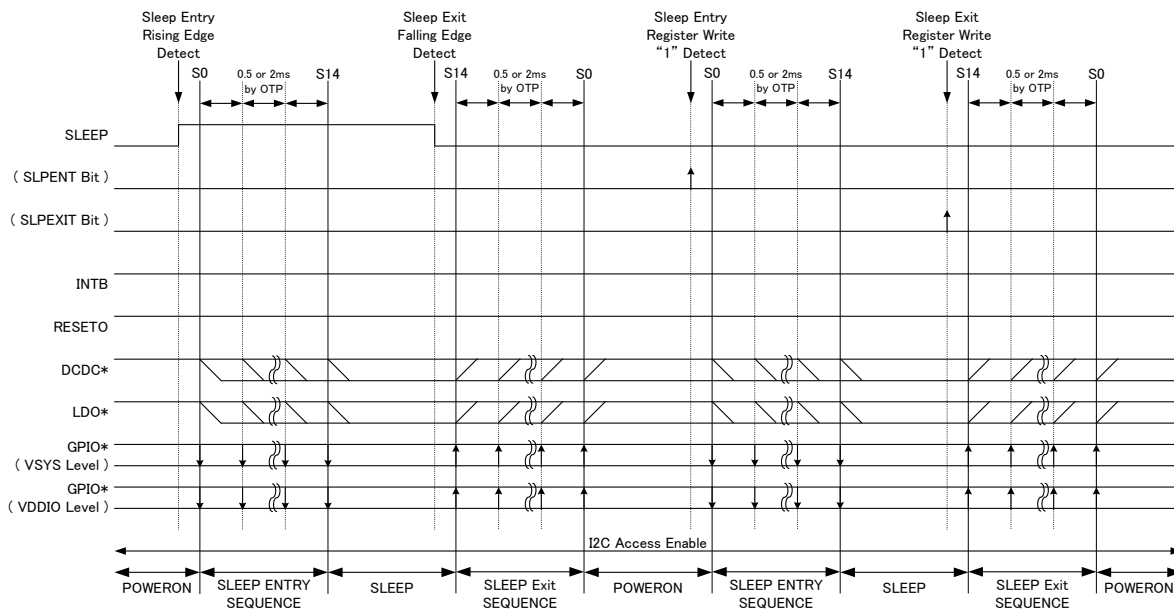


Fig. 6-4 Sleep Entry / Exit Sequence

This PMU is changed to the PWROFF SEQUENCE state by detecting PWRON long press at the SLEEP state. It is necessary to write the <SLP_TO_OFFSEQ> register in advance. The state change timing of some resources is performed in reverse order of the power-on sequence.

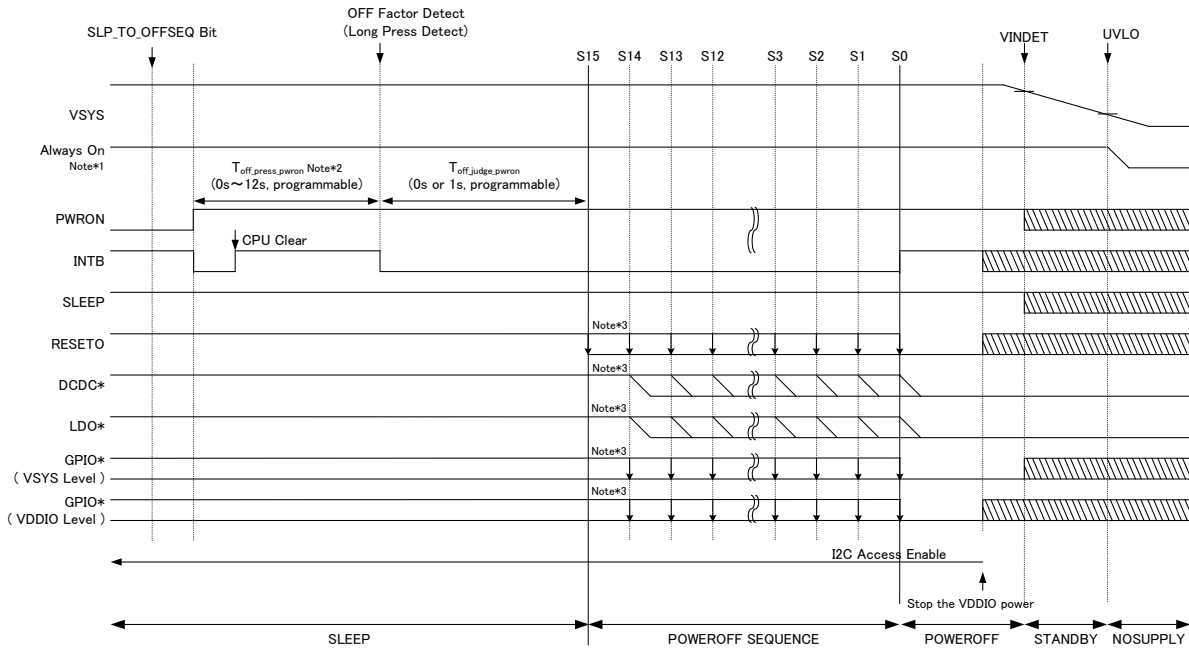


Fig. 6-5 Sleep to Power-off Sequence

Note*1: Always On is VREF/REGD. Only LDORTC2 default on/off is programmable by OTP.

LDORTC1 power-on timing is programmable either always-on or power-on sequence on by OTP.

Note*2: This value can be selected by register. (0sec/1sec/2sec/4sec/6sec/8sec/10sec/12sec)

Note*3: The power-off timing is in reverse order of the power-on sequence.

6.6 Repower-on Sequence

Once the repower-on factor is detected, this PMU executes the power-on sequence after executing the power-off sequence without the power-on factor.

This PMU does not change to POWERON state, when VDDIO pin voltage falls below the IODET detection voltage or repower-on timer is not expired. repower-on timer is selectable 10ms-1s. It is the waiting time for the all regulator’s output capacitor to discharge.

[Repower-on Factor]

- Long power on key press: High level input more than certain time to PWRON pin.
- Watchdog timer: The internal watchdog timer expires.
- <SWPWROFF> register: The CPU writes a dedicated register.
- N_OE(GPIO*): High level input more than certain time to N_OE pin.
- HRESET(GPIO*): High level input to HRESET pin.
After power off by detecting HRESET, this PMU repower-on regardless of setting value of REPWRON bit.

The state transition time from finishing the repower-on sequence to POWERON SEQUENCE state can be controlled by repower-on timer.

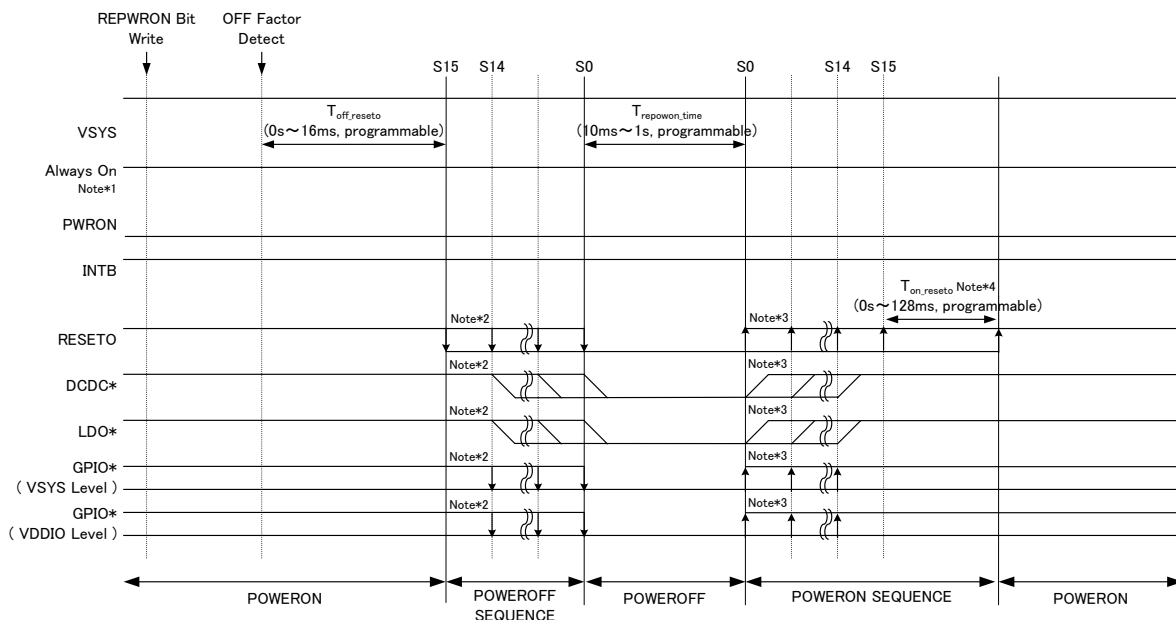


Fig. 6-6 Repower-on Sequence

Note*1: Always On is VREF/REGD. Only LDORTC2 default on/off is programmable by OTP.

LDORTC1 power-on timing is programmable either always-on or power-on sequence on by OTP.

Note*2: The power-off timing reverse order of the power-on sequence.

Note*3: DCDCx/LDOx/GPIOx power-on timing is programmable by OTP (S0 to S14).

Note*4: RESETO has extra time (0/32/64/128ms) by OTP when it is programmed S15.

6.7 Shutdown Factor

The following factors trigger a shutdown, and each state is transited to NOSUPPLY State/STANDBY State/POWEROFF State.

The transition to POWERON State is enabled when each recovery condition for each shutdown factor is met.

	Shutdown Factor	State of Transition	Recovery Condition from Shutdown
1	UVLO detection	NOSUPPLY	UVLO release
2	VINDET detection	STANDBY	VINDET release
3	Temperature's abnormal detection	POWEROFF	Temperature's normal detection
4	DCDCx current limit detection ⁽¹⁾	POWEROFF	DCDCx current normal detection
5	IODET (VDDIO monitor) detection ⁽²⁾	POWEROFF	IODET release

Table 6-1 Shutdown Factor & Recovery Condition

6.8 Shutdown Sequence

This PMU is forcibly powered off when the shutdown factor is detected. All LDO/DCDCs are turned off at once. Until the shutdown condition is recovered, this PMU does not accept the power-on factors. For the reset condition of register, refer to the register map.

6.8.1 Shutdown Sequence (VINDET, UVLO)

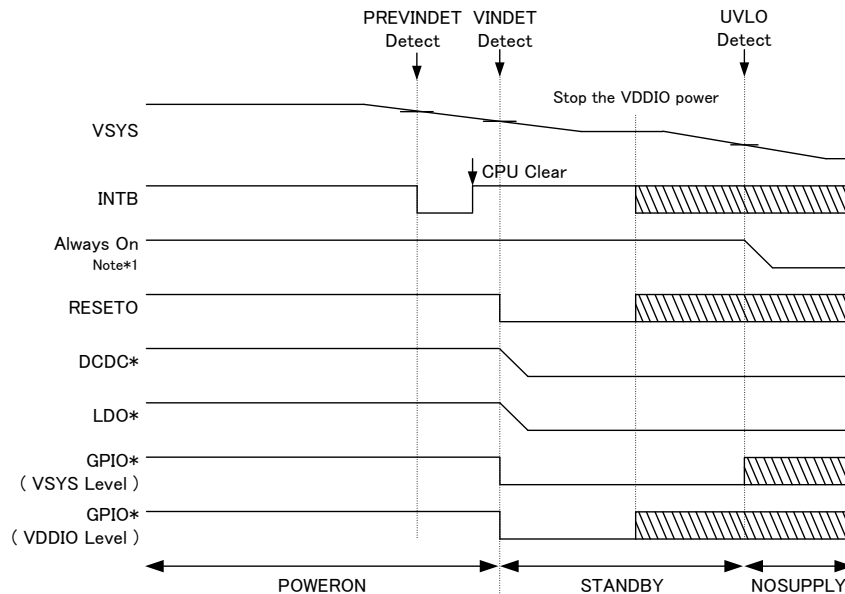


Fig. 6-7 Shutdown Sequence (VINDET, UVLO detection)

Note*1: Always On is VREF/REGD. Only LDORTC2 default on/off is programmable by OTP.

LDORTC1 power-on timing is programmable either always-on or power-on sequence on by OTP.

⁽¹⁾ This PMU shuts down if over-current continues for 2ms. Shutdown operation is disabled during POWERON/OFF SEQUENCE.

⁽²⁾ Shutdown operation is disabled during POWERON/OFF SEQUENCE, REPOWERON SEQUENCE.

6.8.2 Shutdown Sequence (Abnormal temperature)

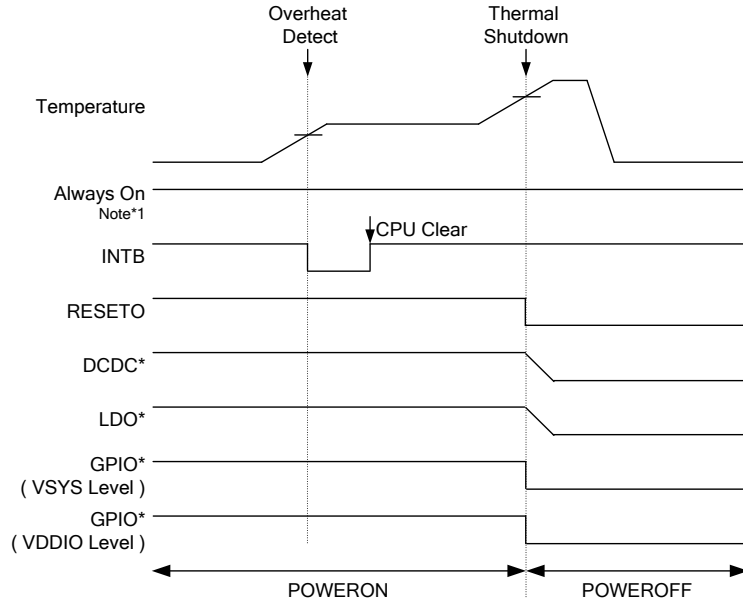


Fig. 6-8 Shutdown Sequence (Abnormal temperature)

Note*1: Always On is VREF/REGD. Only LDORTC2 default on/off is programmable by OTP. LDORTC1 power-on timing is programmable either always-on or power-on sequence on by OTP.

6.8.3 Shutdown Sequence (IODET)

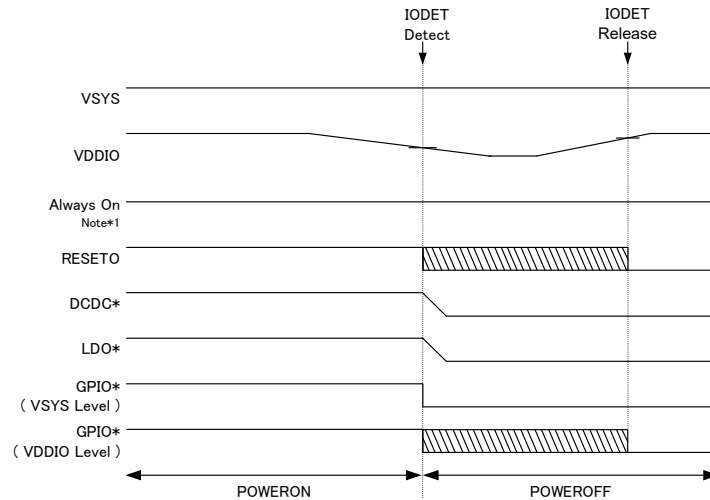


Fig. 6-9 Shutdown Sequence (IODET)

Note*1: Always On is VREF/REGD. Only LDORTC2 default on/off is programmable by OTP. LDORTC1 power-on timing is programmable either always-on or power-on sequence on by OTP.

Note*2: IODET is invalid when VDDIO is not selected as the power supply of both GPIO0 and GPIO1.

6.8.4 Shutdown Sequence (DCDCx Current Limit Detection)

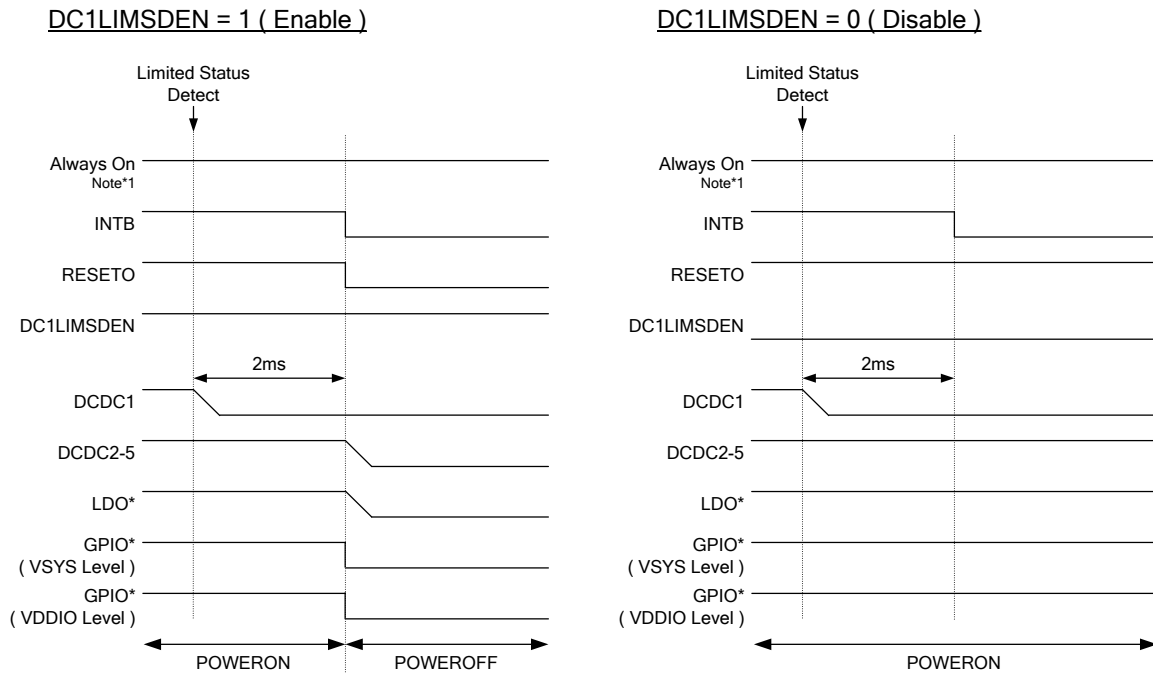


Fig. 6-10 Shutdown Sequence (DCDC1 current limit detection)

Note*1: Always On is VREF/REGD. Only LDORTC2 default on/off is programmable by OTP.
 LDORTC1 power-on timing is programmable either always-on or power-on sequence on by OTP.

6.9 Power-on/off History

This PMU has the register which monitors the power-on/off factor. After this PMU powers on, CPU can recognize the power-on factor and power-off factor by reading PONHIS register and POFFHIS register.

The power-on factors as below are stored when the power-on sequence starts:

PWRON / ON_EXTIN(GPIO*) / HRESET(GPIO*)

The power-off /repower-on factors stored when the power-off sequence starts:

Long power on key press / Watchdog / SWPWROFF / N_OE(GPIO*) / PSHOLD(GPIO*) / HRESET(GPIO*)

The shutdown factors as below are stored immediately before the power-off:

TSHUT / VINDET / IODET / DCDC current limit

The repower-on factors as below are stored when the power-off sequence is finished:

Repower-on

6.10 Watchdog Timer Function

This PMU integrates a watchdog timer in order to power off the system when the CPU becomes hung-up. If the CPU does not access the WATCHDOG register until the watchdog timer expired, this PMU output interrupt. And then if the CPU does not clear the interrupt within 1sec, this PMU is transition to POWEROFF SEQUENCE.

A watchdog timer expiring time is programmable from 1 to 128 seconds with a default value of 128 seconds by dedicated register.

6.11 Power Control Block Interrupt Request

Power control block provides the interrupt requests to INTC block by the following pin input change or the transition state detection:

- PWRON pin input
 - Outputs the interrupt when PWRON pin input signal changes (See next section).
Selectable both-edge/level interrupt type (Default level).
 - Outputs 2nd interrupt after PWRON pin input signal changes (See next section).
The interrupt is falling-edge type. If it is not cleared, this PMU powers off.
- Abnormal temperature detection
 - Outputs the interrupt when overheat detection circuit detects the abnormal temperature.
Selectable both-edge/level interrupt type (Default level).
- Watchdog timer overflow
 - Outputs the interrupt when the watchdog timer expires.
- PREVINDET (Pre detection)
 - Outputs the interrupt when PREVINDET detects the pre detection voltage.
Selectable both-edge/level interrupt type (Default level).

The initial state of all the interrupt request signals from power control block is disabled. It is necessary to set the interrupt enable bit of each interrupt factor if the interrupt request output to INTC block is permitted. Even if the interrupt output is disabled, CPU can read each interrupt factor by PWRIRQ register.

For the details of interrupt, refer to the interrupt controller (INTC).

6.12 PWRON Long Press Operation

This PMU can output two interrupts by changing the PWRON pin input signal during POWERON state. If CPU does not clear the 2nd interrupt, this PMU changes to the POWEROFF state.

For other detailed operations, refer to the appendix.

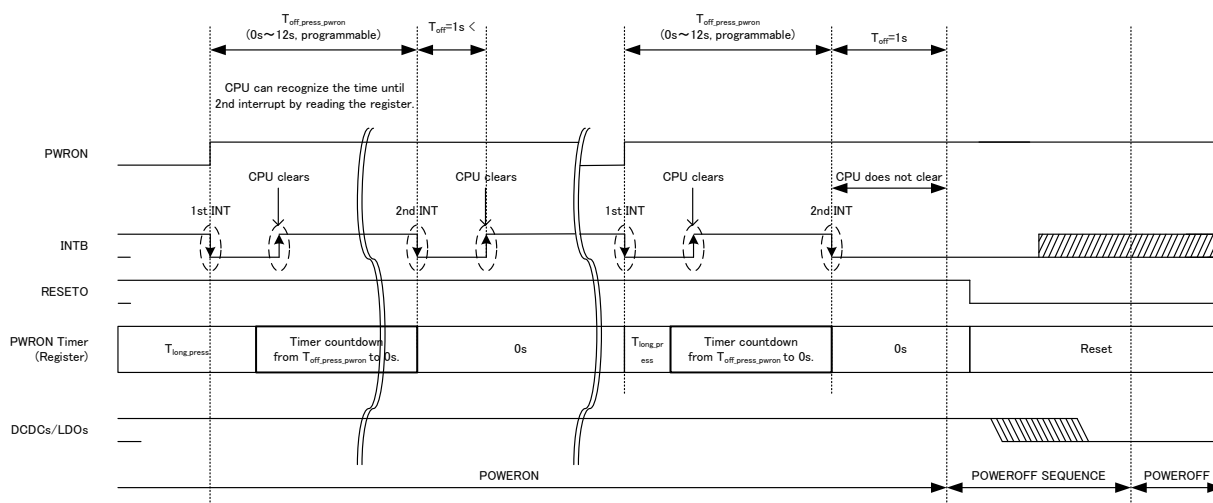


Fig. 6-11 PWRON Long Press Operation

6.13 Power-on Signal Output by GPIO0-3

This PMU can output the power-on signal from GPIO0-3 pin. This function is selected by OTP. The signals output by GPIO0-3 are asserted sequentially according to a pre-programmed order by OTP. For example, these signals are used for operating external regulators. On SLEEP Entry / Exit sequence, these signals are programmable by the register.

6.14 Voltage Detector

■ UVLO

Symbol	Parameter	Condition	MIN	TYP	MAX	Unit
V _{RELEASE}	UVLO Threshold Voltage	VINL1 Voltage Rising		2.30		V
V _{DETECT}	UVLO Threshold Voltage	VINL1 Voltage Falling	-10%	2.20	+10%	V
V _{HYS}	UVLO Hysteresis			100		mV

•VINL1 < V_{DETECT}: Transition to NOSUPPLY state.

■ VINDET

Symbol	Parameter	Condition	MIN	TYP	MAX	Unit
V _{RELEASE}	VINDET Threshold Voltage	VINL1 Voltage Rising		2.90		V
V _{DETECT} ⁽¹⁾	VINDET Threshold Voltage	VINL1 Voltage Falling	-3%	2.70	+3%	V
V _{HYS}	VINDET Hysteresis			200		mV

•VINL1 < V_{DETECT} : Transition to STANDBY state or NOSUPPLY state.

■ PREVINDET

Symbol	Parameter	Condition	MIN	TYP	MAX	Unit
V _{RELEASE}	PREVINDET Threshold Voltage	VINL1 Voltage Rising		2.85		V
V _{DETECT} ⁽¹⁾	PREVINDET Threshold Voltage	VINL1 Voltage Falling	-3%	2.80	+3%	V
V _{HYS}	PREVINDET Hysteresis			50		mV

•VINL1 < V_{DETECT}: Generate interrupt to INTB.

■ IODET

Symbol	Parameter	Condition	MIN	TYP	MAX	Unit
V _{RELEASE}	IODET Threshold Voltage	VDDIO Voltage Rising		1.65		V
V _{DETECT} ⁽¹⁾	IODET Threshold Voltage	VDDIO Voltage Falling	-3%	1.60	+3%	V
V _{HYS}	IODET Hysteresis			50		mV

■ VSBDET

Symbol	Parameter	Condition	MIN	TYP	MAX	Unit
V _{RELEASE}	VSBDET Threshold Voltage	VSB Voltage Rising		2.8		V
V _{DETECT}	VSBDET Threshold Voltage	VSB Voltage Falling	2.13	2.3	2.47	V
V _{HYS}	VSBDET Hysteresis			500		mV

After VSB output (LDORTC1) rises, DETVSB signal turns to “H” after 400ms from the detection voltage is detected. DETVSB is Nch Open-drain output pin.

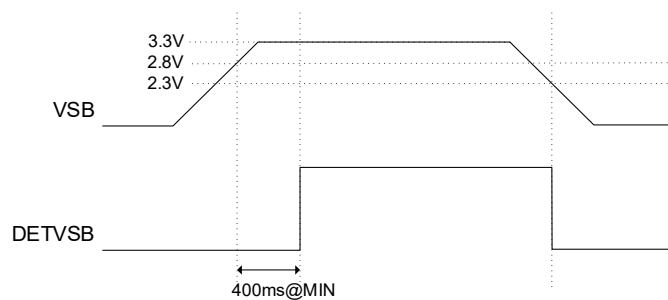


Fig. 6-12 Voltage Detection timing

⁽¹⁾ V_{DETECT} is selected by OTP and register.

6.15 Overheat Detection Block

■ Overheat Detection

Symbol	Parameter	Condition	MIN	TYP	MAX	Unit
T _{DETECT}	Detection Temperature	-	-	135 125 115 105	-	°C
T _{RECOVER}	Recover Temperature	-	T _{DETECT} -20			°C

- Chip Temperature > T_{DETECT}: Generate interrupt to INTB.
- T_{DETECT} is selected by OTP and register.

■ Thermal Shutdown

Symbol	Parameter	Condition	Min.	Typ.	Max.	Unit
T _{DETECT}	Detection Temperature	-	-	140	-	°C
T _{RECOVER}	Recover Temperature	-	110			°C

- Chip Temperature > T_{DETECT}: Transition to POWEROFF state.

7. Regulators

7.1 Regulators Table

Symbol	DCDC1	DCDC2	DCDC3	DCDC4
Initial Output Voltage	0.6-3.5V	0.6-3.5V	0.6-3.5V	0.6-3.5V
Maximum Output Current	3000mA	3000mA	2000mA	2000mA
External Inductor	1.0 μ H	1.0 μ H	1.0 μ H	1.0 μ H
External Capacitor	22 μ F	22 μ F	22 μ F	22 μ F
Output Control	I ² C	I ² C	I ² C	I ² C

Table 7-1 Regulator Table (DC/DC)

Symbol	LDO1	LDO2	LDO3	LDO4
Initial Output Voltage	0.9-3.5V	0.9-3.5V	0.6-3.5V	0.9-3.5V
Maximum Output Current	300mA	300mA	300mA	200mA
External Capacitor	1 μ F	1 μ F	1 μ F	1 μ F
Output Control	I ² C	I ² C	I ² C	I ² C

Symbol	LDO5	LDORTC1	LDORTC2	
Initial Output Voltage	0.9-3.5V	1.2-3.5V	0.9-3.5V	
Maximum Output Current	200mA	30mA	10mA	
External Capacitor	1 μ F	1 μ F	1 μ F	
Output Control	I ² C	Always-On/I ² C	Always-On/I ² C	

Table 7-2 Regulator Table (LDO)

7.2 DCDC Electrical Characteristics

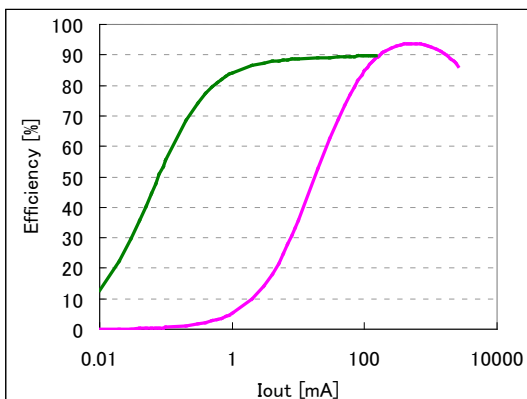
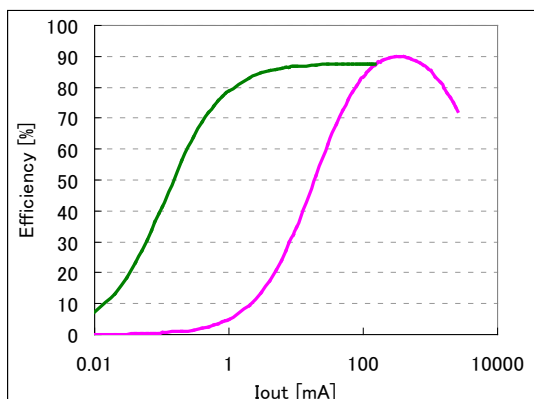
7.2.1 DCDC1-2 Electrical Characteristics

Operating Conditions (unless otherwise specified) $-40\text{ }^{\circ}\text{C} < T_a < 85\text{ }^{\circ}\text{C}$

Symbol	Parameter	Condition	Min.	Typ.	Max.	Unit	
V _{IN}	Input voltage range	-	2.7	3.6	5.5	V	
V _{OUT}	Output voltage range	-	0.6	1.2	3.5	V	
	Voltage setting step width	-		12.5		mV	
V _{ACCU}	Output voltage accuracy	1mA < I _{OUT} < I _{OUTMAX} Auto/PSM/PWM mode	V _{OUT} < 1.0V	-20	0	20	mV
			1.0 ≤ V _{OUT}	-2	0	2	%
V _{RIP}	Output ripple voltage	Auto mode I _{OUT} = 1mA		25		mV	
		PWM mode			10	mV	
F _{OSC}	Switching frequency	PWM mode		1.5		MHz	
I _{OUT-MAX}	Maximum output current	Auto / PWM mode V _{OUT} < 3.5V, V _{IN} = V _{OUT} +1V		1000		mA	
		Auto / PWM mode V _{OUT} < 2.4V, V _{IN} = V _{OUT} +1.1V		2000		mA	
		Auto / PWM Mode V _{OUT} < 1.5V, V _{IN} > 2.8V		3000		mA	
		PSM mode		10		mA	
I _{LIM1}	Limit current		3200		mA		
V _{PEAK}	Output transition response	10 → 400mA@ΔT = 1.0μs, V _{IN} = 3.6V, V _{OUT} = 1.2V			5	%	
I _{SS}	Consumption current	Auto mode	I _{OUT} = 0mA	45		μA	
		PSM mode	I _{OUT} = 0mA	25		μA	
C _{IN}	Input capacitor			10		μF	
C _{OUT}	Output capacitor	Output capacitor		22		μF	
L	External inductor			1.0		μH	

Table 7-3 DCDC1-2 Electrical Characteristic

※V_{IN} = 3.6V, V_{OUT} = 1.2V, F_{OSC} = 1.5MHz, L = 1.0uH ※V_{IN} = 5.0V, V_{OUT} = 3.3V, F_{OSC} = 1.5MHz, L = 1.0uH



-PWMFIX
-AUTO

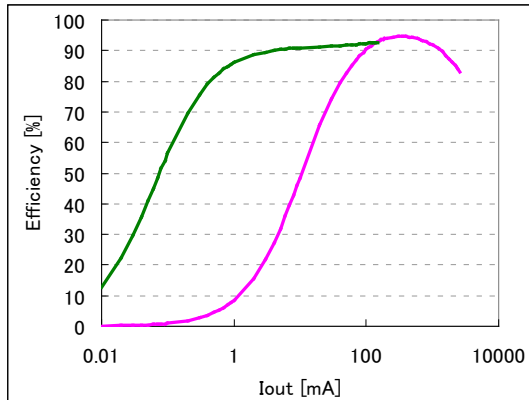
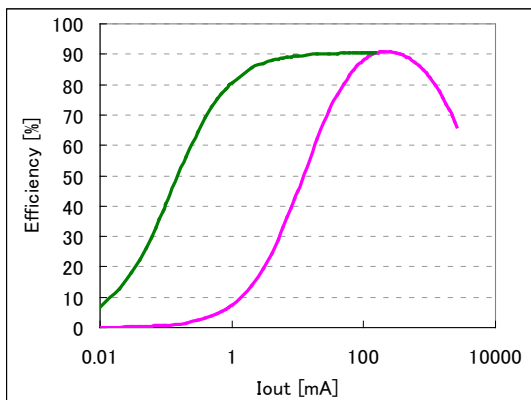
7.2.2 DCDC3-4 Electrical Characteristics

Operating Conditions (unless otherwise specified) $-40^{\circ}\text{C} < T_a < 85^{\circ}\text{C}$

Symbol	Parameter	Condition	Min	Typ	Max	Unit	
V_{IN}	Input voltage range	-	2.7	3.6	5.5	V	
V_{OUT}	Output voltage range	-	0.6	1.2	3.5	V	
	Voltage setting step width	-		12.5		mV	
V_{ACCU}	Output voltage accuracy	$1\text{mA} < I_{OUT} < I_{OUTMAX}$ Auto/PSM/PWM Mode	$V_{OUT} < 1.0\text{V}$	-20	0	20	mV
			$1.0 \leq V_{OUT}$	-2	0	2	%
V_{RIP}	Output ripple voltage	Auto Mode $I_{OUT} = 1\text{mA}$		25		mV	
		PWM Mode	-10		10	mV	
F_{OSC}	Switching frequency	PWM Mode		1.5		MHz	
I_{OUT_MAX}	Maximum output current	Auto / PWM Mode $V_{OUT} < 3.5\text{V}, V_{IN} = V_{OUT} + 1\text{V}$		500		mA	
		Auto / PWM Mode $V_{OUT} < 3.1, V_{IN} = V_{OUT} + 1.1\text{V}$		1000		mA	
		Auto / PWM Mode $V_{OUT} < 1.5\text{V}, V_{IN} > 2.9\text{V}$		2000		mA	
		PSM Mode		10		mA	
I_{LIM1}	Limit current		2300			mA	
V_{PEAK}	Output transition response	$10 \rightarrow 400\text{mA} @ \Delta T = 1.0\mu\text{s}$, $V_{IN} = 3.6\text{V}, V_{OUT} = 1.2\text{V}$			5	%	
I_{SS}	Consumption current	Auto Mode	$I_{OUT} = 0\text{mA}$		45	μA	
		PSM Mode	$I_{OUT} = 0\text{mA}$		25	μA	
C_{IN}	Input capacitor			10		μF	
C_{OUT}	Output capacitor	Output capacitor		22		μF	
L	External inductor			1.0		μH	

Table 7-4 DCDC3-4 Electrical Characteristic

※ $V_{IN} = 3.6\text{V}, V_{OUT} = 1.2\text{V}, F_{OSC} = 1.8\text{MHz}, L = 1.0\mu\text{H}$ ※ $V_{IN} = 5.0\text{V}, V_{OUT} = 3.3\text{V}, F_{OSC} = 1.5\text{MHz}, L = 1.0\mu\text{H}$



-PWMFIX
-AUTO

7.2.3 RAMP Control Operation

This function starts by setting DC*DAC register. The ramp rate is controllable by DC*SR bit.

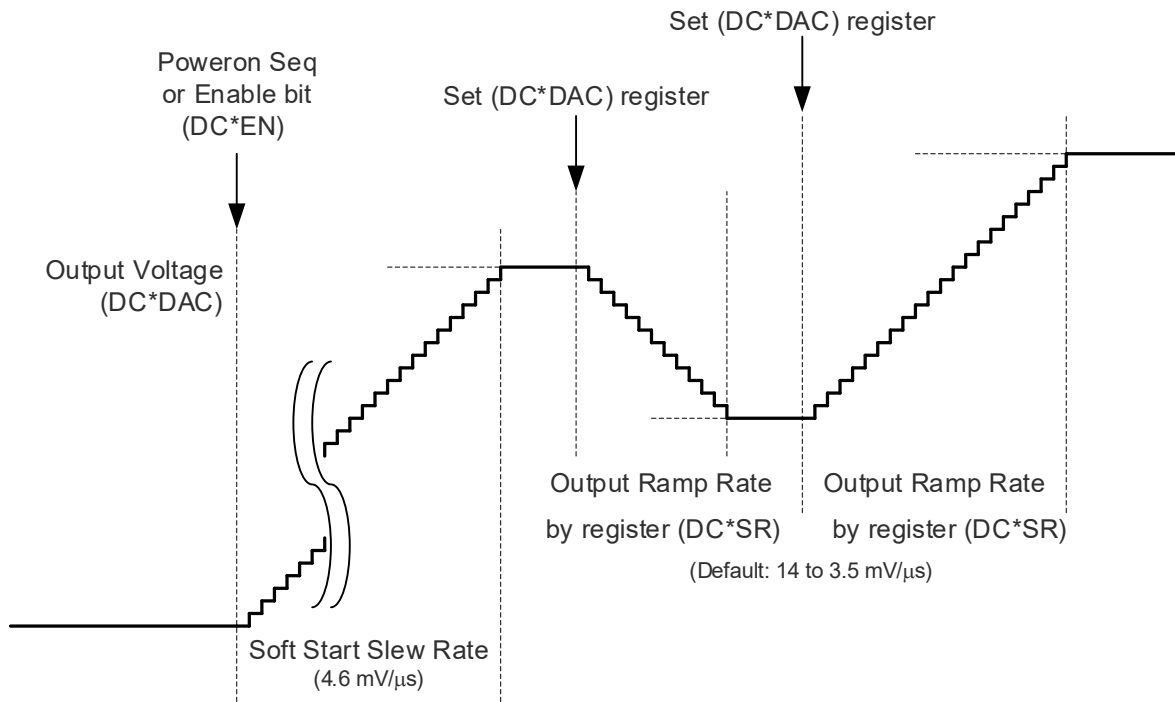


Fig. 7-1 Ramp up/down Control Timing Chart

7.3 LDO Electrical Characteristics

7.3.1 LDO1-2 Electrical Characteristics

Operating Conditions (unless otherwise specified) $V_{IN} = 3.6V$, $C_{OUT} = 1.0\mu F$, $T_a = 25^\circ C$

Symbol	Parameter	Condition	Min.	Typ.	Max.	Unit
V_{IN}	Input voltage range	-	2.7	3.6	5.5	V
V_{OUT}	Output voltage range	$50\mu A < I_{OUT} < I_{OUTMAX}$	0.9		3.5	V
	Voltage setting step width			50		mV
V_{ACCU}	Output voltage accuracy	$V_{OUT} = \text{all output range}$ $I_{OUT} = 1mA$	-1.5		1.5	%
I_{OUTMAX}	Output current	-			300	mA
I_{LIM}	Limit current		350			mA
V_{DIFF}	Dropout voltage	$V_{OUT} \text{ setting} = V_{IN}$, $I_{OUT} = I_{OUTMAX}$			0.2	V
V_{LINE}	Line regulation	$2.7 < V_{IN} < 5.5V$, $I_{OUT} = 1mA$			0.2	%/V
V_{LOAD}	Load regulation	$100\mu A < I_{OUT} < I_{OUTMAX}$			30	mV
V_{TR}	Transient response	$I_{OUT} = 100\mu A \leftrightarrow I_{OUTMAX} / 2$		10		mV
R_R	Ripple rejection	$f = 217 \text{ to } 1kHz$, $I_{OUT} = I_{OUTMAX} / 2$ $V_{DIFF} > 0.6V$		70		dB
O_{NOISE}	Output noise	$I_{OUT} = I_{OUTMAX} / 2$ $BW = 10Hz-100kHz$, $V_{OUT} = 1.2V$		25		μV_{rms}
I_{SS}	Supply current	$I_{OUT} = 0mA$		100		μA
I_{OFF}	Standby current	$I_{OUT} = 0mA$			1	μA
t_R	Rising time	$V_{OUT} \times 0.9$, $I_{OUT} = 0mA$			500	μs
t_F	Falling time	$V_{OUT} \times 0.1$, $I_{OUT} = 0mA$			500	μs
C_{OUT}	Output capacitor			1.0		μF

Table 7-5 LDO1-2 Electrical Characteristic

7.3.2 LDO3 Electrical CharacteristicsOperating Conditions (unless otherwise specified) $V_{IN} = 3.6V$, $C_{OUT} = 1.0\mu F$, $T_a = 25^\circ C$

Symbol	Parameter	Condition	Min.	Typ.	Max.	Unit
V_{IN}	Input voltage range	-	1.7	3.6	5.5	V
V_{OUT}	Output voltage range	$50\mu A < I_{OUT} < I_{OUTMAX}$	0.6		3.5	V
	Voltage setting step width			50		mV
V_{ACCU}	Output voltage accuracy	$V_{OUT} = \text{all output range}$ $I_{OUT} = 1mA$	-1.5		1.5	%
I_{OUTMAX}	Output current	-			300	mA
I_{LIM}	Limit current		350			mA
V_{DIFF}	Dropout voltage	$V_{OUT} \text{ setting} = V_{IN}, I_{OUT} = I_{OUTMAX}$			0.3	V
V_{LINE}	Line regulation	$1.7 < V_{IN} < 5.5V, I_{OUT} = 1mA$			0.2	%/V
V_{LOAD}	Load regulation	$100\mu A < I_{OUT} < I_{OUTMAX}$			30	mV
V_{TR}	Transient response	$I_{OUT} = 100\mu A \leftrightarrow I_{OUTMAX} / 2$		40		mV
R_R	Ripple rejection	$f = 217 \text{ to } 1kHz, I_{OUT} = I_{OUTMAX} / 2$ $V_{DIFF} > 0.6V$		60		dB
O_{NOISE}	Output noise	$I_{OUT} = I_{OUTMAX} / 2$ $BW = 10Hz-100kHz,$ $V_{OUT} = 1.2V$		60		μV_{rms}
I_{SS}	Supply current	$I_{OUT} = 0mA$		20		μA
I_{OFF}	Standby current	$I_{OUT} = 0mA$			1	μA
t_R	Rising time	$V_{OUT} \times 0.9, I_{OUT} = 0mA$			500	μs
t_F	Falling time	$V_{OUT} \times 0.1, I_{OUT} = 0mA$			500	μs
C_{OUT}	Output capacitor			1.0		μF

Table 7-6 LDO3 Electrical Characteristic

7.3.3 LDO4-5 Electrical CharacteristicsOperating Conditions (unless otherwise specified) $V_{IN} = 3.6V$, $C_{OUT} = 1.0\mu F$, $T_a = 25^\circ C$

Symbol	Parameter	Condition	Min.	Typ.	Max.	Unit
V_{IN}	Input voltage range	-	1.7	3.6	5.5	V
V_{OUT}	Output voltage range	$50\mu A < I_{OUT} < I_{OUTMAX}$	0.9		3.5	V
	Voltage setting step width			50		mV
V_{ACCU}	Output voltage accuracy	$V_{OUT} = \text{all output range}, I_{OUT} = 1mA$	-1.5		1.5	%
I_{OUTMAX}	Output current	-			200	mA
I_{LIM}	Limit current		250			mA
V_{DIFF}	Dropout voltage	$V_{OUT \text{ setting}} = V_{IN}, I_{OUT} = I_{OUTMAX}$			0.4	V
V_{LINE}	Line regulation	$2.7 < V_{IN} < 5.5V, I_{OUT} = 1mA$			0.2	%/V
V_{LOAD}	Load regulation	$100\mu A < I_{OUT} < I_{OUTMAX}$			30	mV
V_{TR}	Transient response	$I_{OUT} = 100\mu A \leftrightarrow I_{OUTMAX} / 2$		40		mV
R_R	Ripple rejection	$f = 217 \text{ to } 1kHz, I_{OUT} = I_{OUTMAX} / 2$ $V_{DIFF} > 0.6V$		60		dB
O_{NOISE}	Output noise	$I_{OUT} = I_{OUTMAX} / 2, BW = 10Hz-100kHz, V_{OUT} = 1.2V$		50		μV_{rms}
I_{SS}	Supply current	$I_{OUT} = 0mA$		20		μA
I_{OFF}	Standby current	$I_{OUT} = 0mA$			1	μA
t_R	Rising time	$V_{OUT} \times 0.9, I_{OUT} = 0mA$			500	μs
t_F	Falling time	$V_{OUT} \times 0.1, I_{OUT} = 0mA$			500	μs
C_{OUT}	Output capacitor			1.0		μF

Table 7-7 LDO4-5 Electrical Characteristic

7.3.4 LDORTC1 Electrical CharacteristicsOperating Conditions (unless otherwise specified) $V_{IN} = 3.6V$, $C_{OUT} = 1.0\mu F$, $T_a = 25^\circ C$

Symbol	Parameter	Condition	Min.	Typ.	Max.	Unit
V_{IN}	Input voltage range	-	2.2	3.6	5.5	V
V_{OUT}	Output voltage range	$50\mu A < I_{OUT} < I_{OUTMAX}$	1.2		3.5	V
	Voltage setting step width			50		mV
V_{ACCU}	Output voltage accuracy	$V_{OUT} = \text{all output range}$ $I_{OUT} = 1mA$	-1.5		1.5	%
$I_{OUTMAX1}$	Output current				30	mA
$I_{OUTMAX2}$		$4.5V < V_{IN} < 5.5V$			100	mA
V_{DIFF}	Dropout voltage	$V_{OUT} \text{ setting} = V_{IN}, I_{OUT} = I_{OUTMAX1}$			0.8	V
		$V_{OUT} \text{ setting} = V_{IN}, I_{OUT} = I_{OUTMAX2}$			0.2	
I_{LIM}	Limit current		110			mA
I_{SS}	Supply current	$I_{OUT} = 0mA$		2		μA
I_{OFF}	Standby current	$I_{OUT} = 0mA$			1	μA
C_{OUT}	Output capacitor			1.0		μF

Table 7-8 LDORTC1 Electrical Characteristic

7.3.5 LDORTC2 Electrical CharacteristicsOperating Conditions (unless otherwise specified) $V_{IN} = 3.6V$, $C_{OUT} = 1.0\mu F$, $T_a = 25^\circ C$

Symbol	Parameter	Condition	Min.	Typ.	Max.	Unit
V_{IN}	Input voltage range	-	2.2	3.6	5.5	V
V_{OUT}	Output voltage range	$50\mu A < I_{OUT} < I_{OUTMAX}$	0.9		3.5	V
	Voltage setting step width			50		mV
V_{ACCU}	Output voltage accuracy	$V_{OUT} = \text{all output range}$ $I_{OUT} = 1mA$	-1.5		1.5	%
I_{OUTMAX}	Output current	-			10	mA
I_{LIM}	Limit current		20			mA
V_{DIFF}	Dropout voltage	$V_{OUT} \text{ setting} = V_{IN}, I_{OUT} = I_{OUTMAX}$			0.2	V
I_{SS}	Supply current	$I_{OUT} = 0mA$		1		μA
I_{OFF}	Standby current	$I_{OUT} = 0mA$			1	μA
C_{OUT}	Output capacitor			1.0		μF

Table 7-9 LDORTC2 Electrical Characteristic

8. MODE

This PMU has two Modes selected by OTP.

MODE	Pin					
	GPIO0	GPIO1	GPIO2	GPIO3	SLEEP	PWRON
Normal	selectable				SLEEP	PWRON
Parts	DCDC1 EXON	DCDC2 EXON	DCDC3 EXON	DCDC4EXON and LDO3EXON	LDO1EXON and LDO4EXON	LDO2EXON and LDO5EXON

Table 8-1 Modes and function of pins

8.1 Normal MODE

The function of GPIO[3:0] pins ⁽¹⁾ can be respectively selected by OTP.

The function of SLEEP and PWRON pins are respectively decided SLEEP and PWRON.

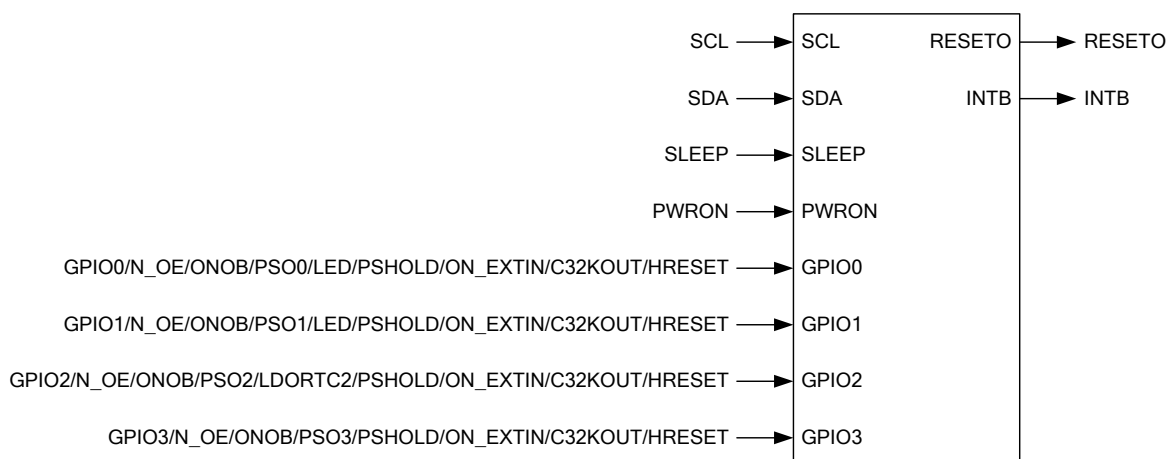


Fig. 8-1 The function of pins in Normal mode

⁽¹⁾ For details of the function of GPIO* pins, refer to GPIO.

8.2 Parts MODE

ON/OFF of DCDC1-4 and LDO1-5 can be controlled by pin.
 GPIO0 pin can control ON/OFF of DCDC1.
 GPIO1 pin can control ON/OFF of DCDC2.
 GPIO2 pin can control ON/OFF of DCDC3.
 GPIO3 pin can control ON/OFF of DCDC4 and LDO3.
 SLEEP pin can control ON/OFF of LDO1 and LDO4.
 PWRON pin can control ON/OFF of LDO2 and LDO5.

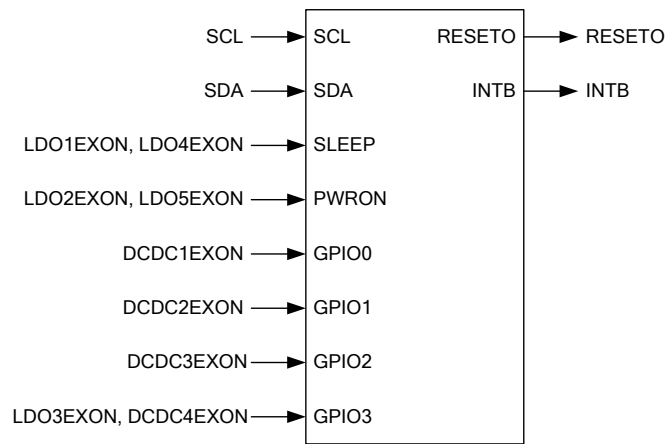


Fig. 8-2 The function of pins in Parts mode

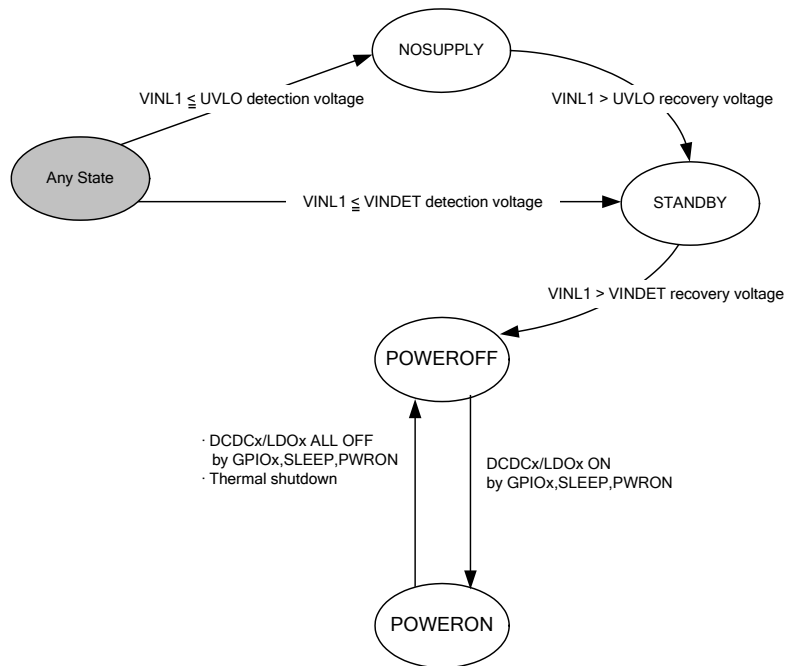


Fig. 8-3 State Machine Diagram in Parts mode

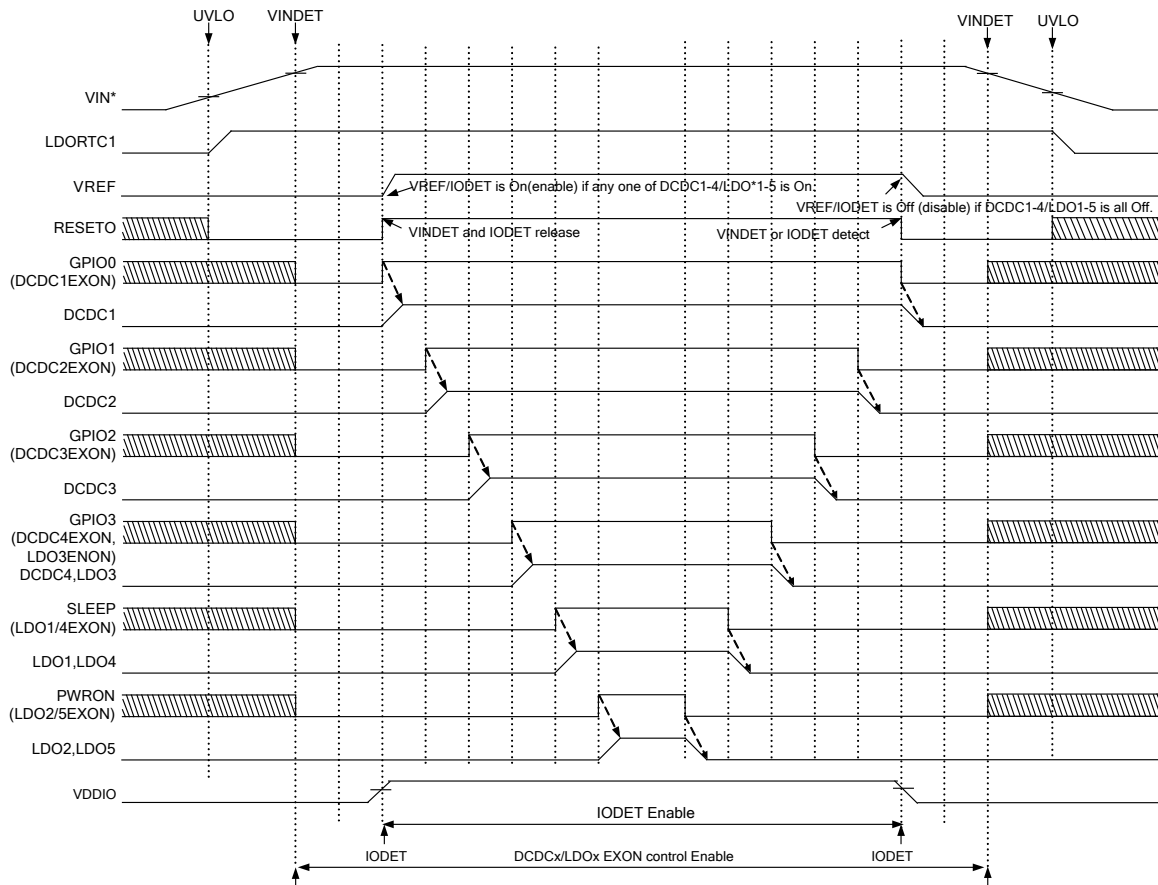


Fig. 8-1 Power On/Off function in Parts mode

Note*: Each resource turns off by writing the enable bit (LDO*EN/DC*EN bit) to "0".

LDO1-5EN bits: bit [4:0] in address 44h

DC1-4EN bits: bit [0] in address 2Ch / 2Eh / 30h / 32h

9. GPIO

This PMU supports four channels of general-purpose input/output. GPIO0-3 pins have the function selected by OTP as shown below.

Name	Function	Input ⁽¹⁾⁽²⁾	Output ⁽¹⁾⁽²⁾	Power ⁽³⁾	GPIO			
					0	1	2	3
N_OE	External power off	N	-	VSYS	√	√	√	√
GPIO0	General purpose I/O	C or N	C or N	VSYS or VDDIO	√	-	-	-
GPIO1	General purpose I/O	C or N	C or N	VSYS or VDDIO	-	√	-	-
GPIO2	General purpose I/O	C or N	C or N	VSYS	-	-	√	-
GPIO3	General purpose I/O	C or N	C or N	VSYS	-	-	-	√
ONOB	PWRON pin monitor	-	N	VSYS	√	√	√	√
PSO0	Power-on signal output function	-	C or N	VSYS or VDDIO	√	-	-	-
PSO1	Power-on signal output function	-	C or N	VSYS or VDDIO	-	√	-	-
PSO2	Power-on signal output function	-	C or N	VSYS	-	-	√	-
PSO3	Power-on signal output function	-	C or N	VSYS	-	-	-	√
LDORTC2	LDORTC2 output	-	A	-	-	-	√	-
LED	LED function	-	N	VSYS	√	√	-	-
PSHOLD	PSHOLD (power-on hold) function	N	-	VSYS	√	√	√	√
ON_EXTIN	External input for on factor	N	-	VSYS	√	√	√	√
**EXON	External LDO*/DCDC* on/off input	N	-	VSYS	⁽⁴⁾	⁽⁴⁾	⁽⁴⁾	⁽⁴⁾
C32KOUT	32 kHz clock output function	-	C or N	VSYS or VDDIO	√	√	√	√
HRESET	Hard RESET input	N	-	VSYS	√	√	√	√

Table 9-1 The function of GPIO0-3 pins

N_OE function (GPIO0-3 pins)

Power-off factor.

Programmable polarity of input signal by OTP.

⁽¹⁾ Explanation of column of "Input" and "Output":

A: Analog Output, C: CMOS Input/Output, N: NMOS Input (VSYS only)/ Nch Open Drain Output

⁽²⁾ CMOS or Nch is selectable by OTP.

⁽³⁾ VSYS or VDDIO is selectable by OTP.

⁽⁴⁾ Refer to the chapter of Mode.

GPIO function (GPIO0-3 pins)

Can be controlled the direction by IOSEL register (output or input).

Output mode: Each output circuit is programmed CMOS or Nch open drain by OTP.

Input mode: Programmable polarity of input signal by OTP.

Programmable interrupt detection, edge or level by GPEDGE1,2 register.

(For the details of interrupt, refer to the interrupt controller and GPIO).

ONOB function (GPIO0-3 pins)

Output Low when PWRON pin is pressed.

PSO function (GPIO0-3 pins)

Power-on signal output function.

Programmable output timing in the POWERON/POWEROFF sequence by OTP.

Programmable output timing in SLEEP_ENTRY/EXIT sequence by the register.

LDORTC2 output function (GPIO2 pins)

Output LDORTC2.

LED function (GPIO0-1 pins)

Programmable Power On/Off mode or Register mode by register.

Programmable type of flicker ⁽¹⁾ by register in Register mode.

Mode	Power State	Type of Flicker
Power On/Off Mode	Power On	Always Turn-on
	Power Off	Always Turn-off
Register Mode	Power On	Depend on GP*_LEDFUNC register

Table 9-2 Type of flicker

PSHOLD input function (GPIO0-3 pins)

Power-on hold and power-off factor.

Hold power-on even if power-on factor de-asserts, when PSHOLD asserts less than 500ms since RESET0 is released ⁽²⁾.

Power-off when PSHOLD de-asserts in power-on ⁽²⁾.

Programmable polarity of input signal by OTP.

⁽¹⁾ For details of type of flicker by register, refer to GP*_LEDMODE register.

⁽²⁾ For details of power-on/power-off by PSHOLD, refer to Appendix.

ON_EXTIN input function (GPIO0-3 pins)

Power-on factor.

Programmable polarity of input signal by OTP.

**EXON input function (GPIO0-3 pins)

DCDC1-4, LDO1-5 on/off control signals.

Refer to the chapter of Mode.

32 kHz clock output function (GPIO0-3 pins)

Output 32 kHz clock.

HRESET function (GPIO0-3 pins)

Reset (Power Off - Repower ON) factor.

Programmable polarity of input signal by OTP.

10. I²C-Bus Interface

This PMU uses I²C-Bus system for CPU connection through two wires. Connection and transfer system of I²C-Bus are described in the following sections.

10.1 I²C-Bus Operation

Within the procedure of I²C-Bus, unique situations arise which are defined as start and stop conditions.

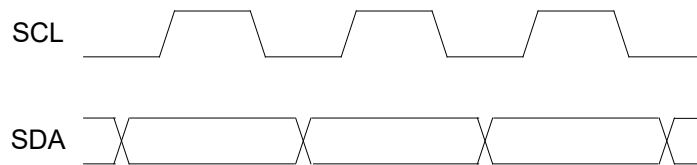


Fig. 10-1 I²C-Bus Data Transmission

An “H” to “L” transition on SDA line while SCL is “H” indicates a start condition. An “L” to “H” transition on SDA line while SCL is “H” defines a stop condition. Start and stop conditions are always generated by master. (Refer to the figure below). The bus is busy after start condition. The bus is free again a certain time after the stop condition.

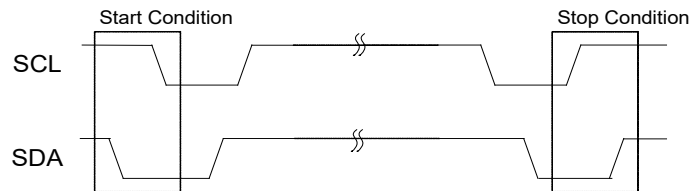


Fig. 10-2 I²C-Bus Start and Stop Condition

10.2 AC Characteristics of I²C-Bus

Fast-mode Operating Conditions (unless otherwise specified): V_{OUTD} = 1.8V, Ta = 25 °C, C_B⁽¹⁾ = 400pF max

Symbol	Parameter	Condition	Min.	Typ.	Max.	Unit
f _{SCL}	SCL Clock Frequency	—			400	kHz
t _{BUF}	Bus Free Time Between a Precedent and Start		1.3		-	μs
t _{LOW}	SCL Clock “L” Time		1.3		-	μs
t _{HIGH}	SCL Clock “H” Time		0.6		-	μs
t _{SU,STA}	Start Condition Setup Time		0.6		-	μs
t _{HD,STA}	Start Condition Hold Time		0.6		-	μs
t _{SU,STO}	Stop Condition Setup Time		0.6		-	μs
t _{HD,DAT}	Data Hold Time		0			μs
t _{SU,DAT}	Data Setup Time		100		-	ns
t _R	Rising Time of SCL and SDA (Input)				300	ns
t _F	Falling Time of SCL and SDA (Input)				300	ns
t _{SP}	Suppressing Pulse Width		0		50	ns

Hs-mode Operating Conditions (unless otherwise specified): V_{OUTD} = 1.8V, Ta = 25°C, C_B⁽¹⁾ = 100pF max

Symbol	Parameter	Condition	Min.	Typ.	Max.	Unit
f _{SCL}	SCL Clock Frequency	—			3.4	MHz
t _{LOW}	SCL Clock “L” Time		160		-	ns
t _{HIGH}	SCL Clock “H” Time		60		-	ns
t _{SU,STA}	Start Condition Setup Time		160		-	ns
t _{HD,STA}	Start Condition Hold Time		160		-	ns
t _{SU,STO}	Stop Condition Setup Time		160		-	ns
t _{HD,DAT}	Data Hold Time		0		70	ns
t _{SU,DAT}	Data Setup Time		10		-	ns
t _{RCL} , t _{FCL}	Rising and Falling Time of SCL		10		40	ns
t _{RDA} , t _{FDA}	Rising and Falling Time of SDA		20		80	ns
t _{SP}	Suppressing Pulse Width		0		10	ns

Table 10-1 I²C-Bus AC Characteristics

Note*: All the above-mentioned values are corresponding to V_{IH} min and V_{IL} max level.

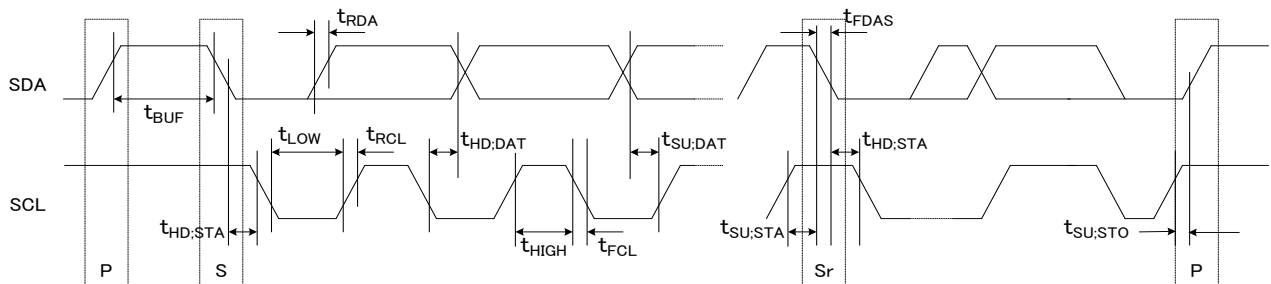


Fig. 10-3 I²C-Bus Interface Timing Chart

(1) Capacitive load for each bus line

10.3 I²C-Bus Data Transmission and Its Acknowledge

After start condition, data is transmitted by 1byte (8bits). The number of bytes that can be transmitted per transfer is unrestricted. Each byte must be followed by an acknowledge bit. Data transmission with acknowledge is obligatory. The acknowledge-related clock pulse is generated by the master. The transmitter releases SDA line during the acknowledge clock pulse.

The receiver must pull down SDA line during the acknowledge clock pulse so that SDA line remains stable “L” during the “H” period of the acknowledge clock pulse. If a master–receiver is involved in a transfer, it must signal the end of the data to the slave-transmitter by not generating acknowledge on the last byte that was clocked out of the slave. The slave-transmitter must release the data line to allow the master to generate a stop condition.

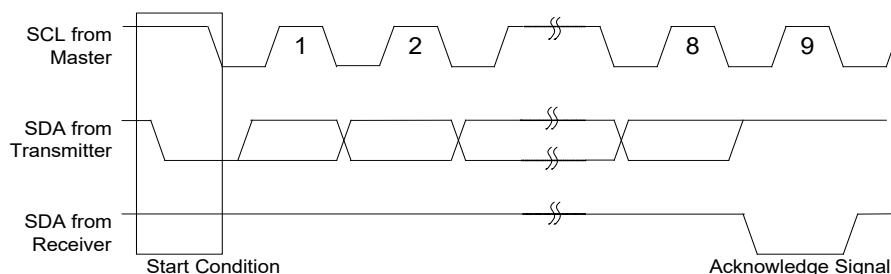


Fig. 10-4 I²C-Bus Data Transmission and Acknowledge

10.4 I²C-Bus Slave Address

After start condition, a slave address A[7:1] is sent. The address is 7-bit long followed by an 8th bit which is data direction bit (Read/Write). The slave address of This PMU is programmable by OTP.

	A7	A6	A5	A4	A3 ⁽¹⁾	A2 ⁽¹⁾	A1 ⁽¹⁾
Setting value	0	1	1	0	0	1	0

Table 10-2 Slave Address of This PMU

⁽¹⁾ A[3:1] of the slave address are programmable by OTP.

10.5 I²C-Bus Data Transmission Read Format (Fast-mode)

In order to read the internal register data:

- Specify an internal address pointer (8bit).
- Generate the repeated start condition to change the data transmission direction to read.

With a start of read mode, automatic increment in address pointers will be made. Read-mode is repeated until stop condition is initiated.

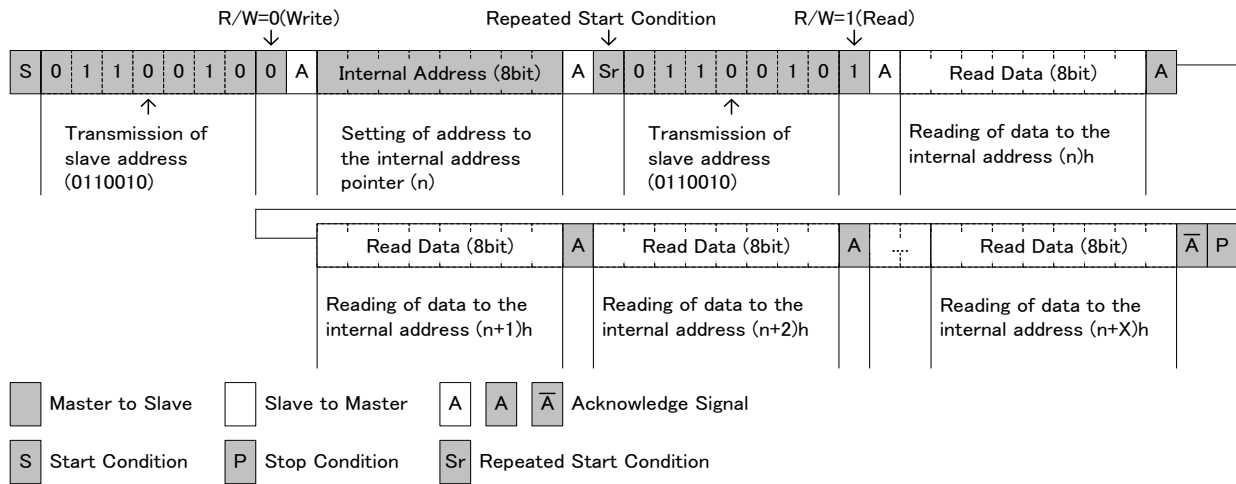


Fig. 10-5 I²C-Bus Data Transmission Read Format

10.6 I²C-Bus Data Transmission Write Format (Fast-mode)

The transmission format for the slave address allocated to each IC is defined by I²C-Bus standard. However, transmission method of address information of each IC is not defined. This PMU transmits command data. For the data transmission, please transmit MSB first from master and following data in sequence.

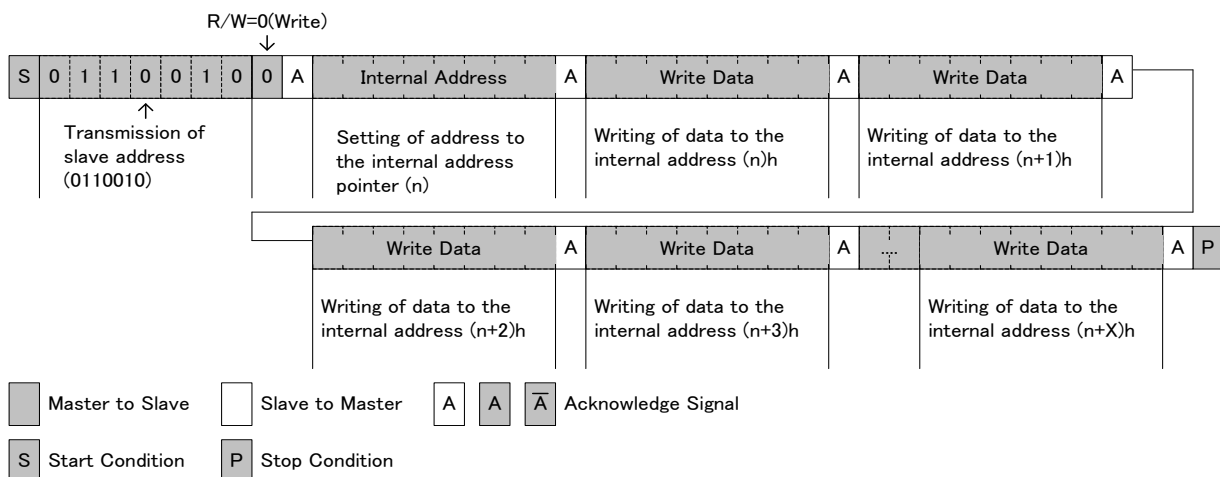


Fig. 10-1 I²C-Bus Data Transmission Write Format

The format which supports the power I²C is shown below.

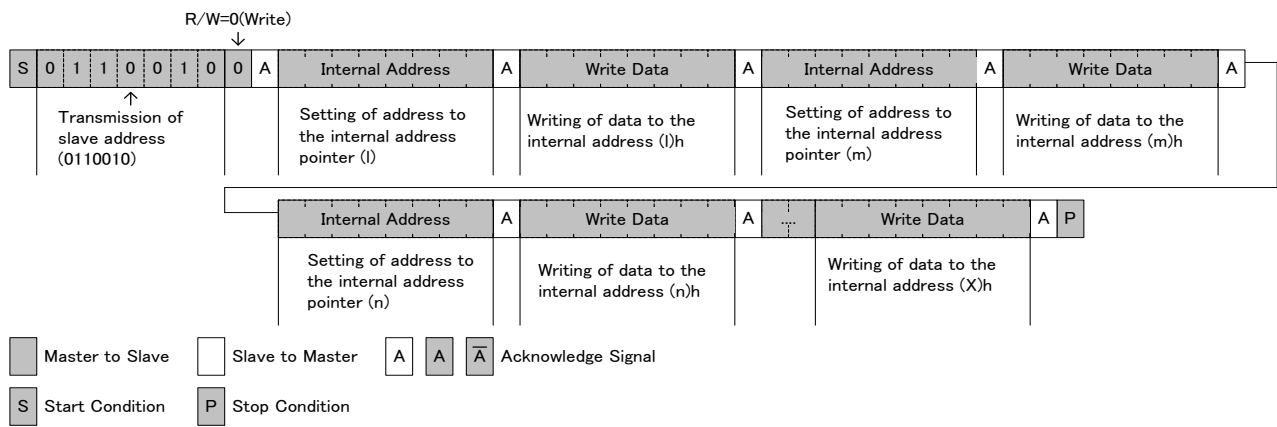


Fig. 10-2 I²C-Bus Data Transmission Write Format (Power I²C)

10.7 I²C-Bus Internal Register Write-in Timing (Fast-mode)

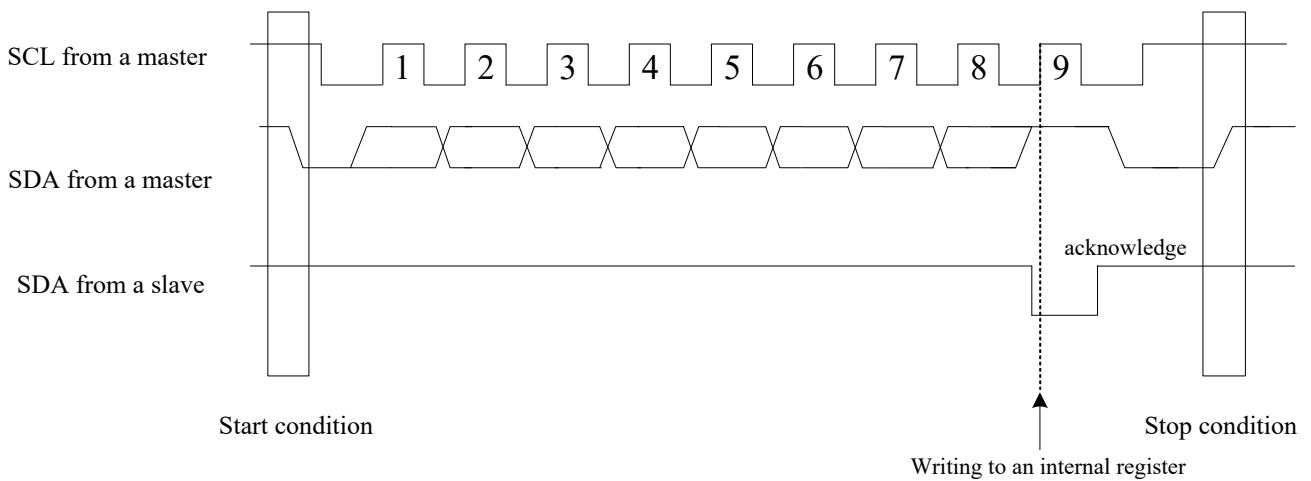


Fig. 10-3 I²C-Bus Internal Register Write-in Timing

10.8 I²C-Bus Data Transmission Read Format (Hs-mode)

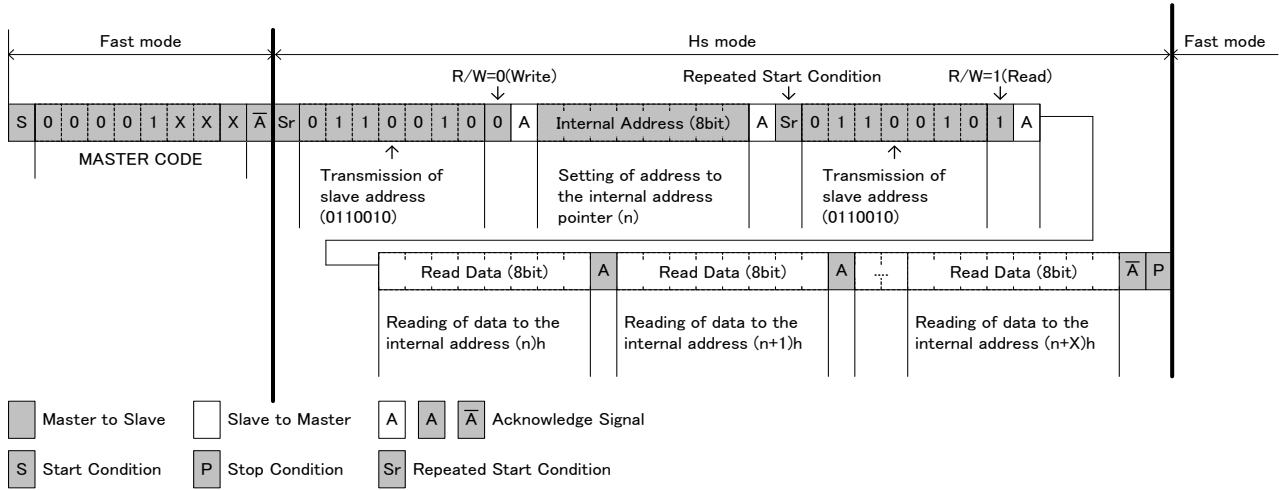


Fig. 10-4 I²C-Bus Data Transmission Read Format (Hs-mode)

10.9 I²C-Bus Data Transmission Write Format (Hs-mode)

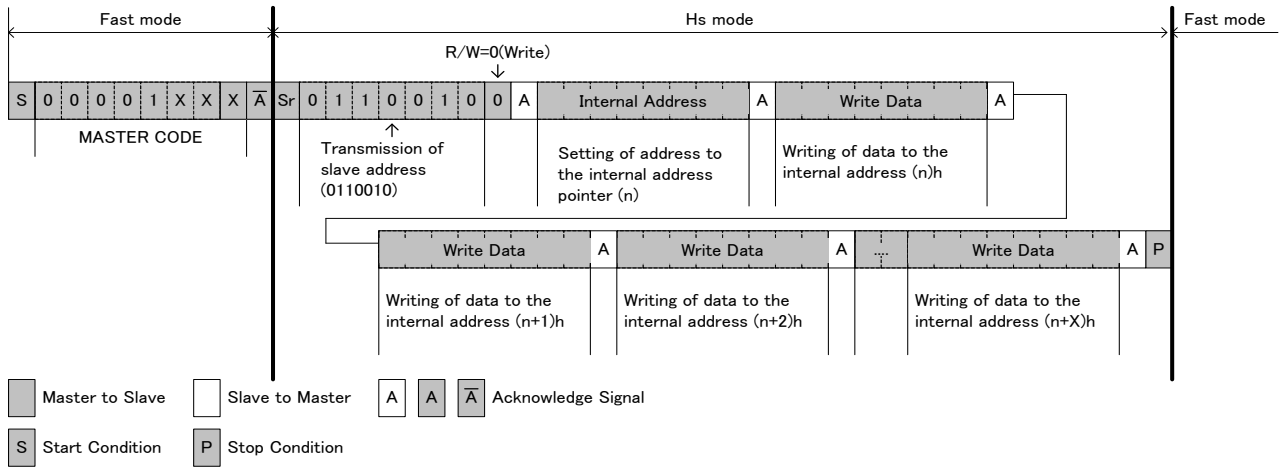


Fig. 10-5 I²C-Bus Data Transmission Write Format (Hs-mode)

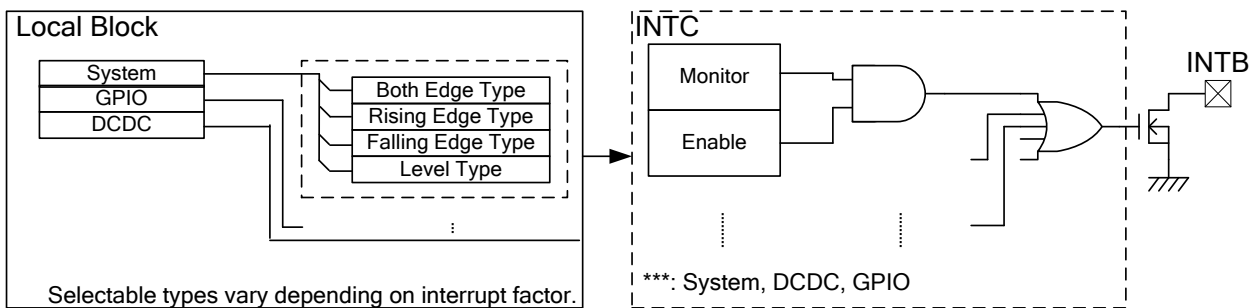
Note*: Should have the interval of 100us or more at writing and reading the same address.

11. Interrupt Controller (INTC)

This PMU has an interrupt controller. CPU can read all the permitted interrupt request flags coming from different functional blocks. When an interrupt occurs, CPU is informed by asserting INTB pin. CPU can identify block and factor which output interrupt by reading Monitor register of INTC and Local Block.

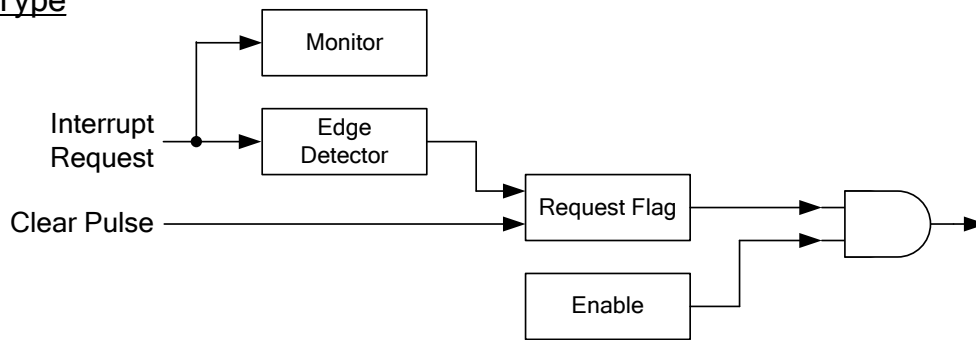
Monitor register is read-only. OR gate signal of each permitted interrupt request flag will be output from INTB pin. CPU can figure out the current state of this PMU by reading Monitor register at power-on. To enable interrupt output through INTB pin, it is necessary to write "1" in Enable register.

11.1 Interrupt Controller Block Diagram



Local Block

Edge Type



Level Type

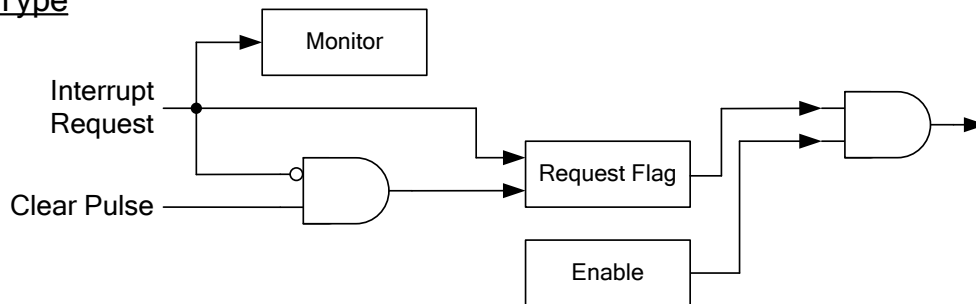


Fig. 11-1 INTC Block Diagram

12. Registers

12.1 Registers Map

The additional information for the register map below is as follows:

RSTB : Transition to PWROFF state or Shutdown factor detection

ERSTB : UVLO detection

* : Do not set "1" to - bits. Do not write "1" or "0" to undefined registers.

: The default value of green hatch registers is set by OTP.

: The default value of yellow hatch registers is set by OTP and initial value of the other register.

Block	Address	Symbol Name	R/W	D7	D6	D5	D4	D3	D2	D1	D0	Default	Reset
SYSTEM	00	LSIVER	R	LSIVER[7:0]								01h	---
	01	OTPVVER	R	OTPVVER[7:0]								by OTP	---
	02	IODAC	R/W	IODAC[5:0]								by OTP	RSTB
	03	VINDAC	R/W	VNRRESET	---	---	VINHYS	---	VINDAC[2:0]			by OTP	ERSTB(VNRRESET), ERSTB/RSTB(Other)
	04	---	R/W	---	---	---	---	---	---	---	---	00h	RSTB
	05	OUT32KEN	R/W	---	---	---	OUT32KEN3	OUT32KEN2	OUT32KEN1	OUT32KEN0	---	by OTP	RSTB
I2C	06	CPUCNT	R/W	---	---	---	---	---	---	INCB	POWERI2C	00h	RSTB
	07	PSWR	R/W	RRESET	---	---	---	PSWR[6:0]			---	00h	ERSTB
Power Control	08	---	R	---	---	---	---	---	---	---	---	by OTP	---
	09	PONHIS	R	---	---	---	---	ON_EXTIN PON	---	REPWR PON	PWRON PON	*	ERSTB
	0A	POFFHIS	R	N_OE POFF	DCLIM POFF	WDG POFF	CPU POFF	IODET POFF	VNDET POFF	TSHUT POFF	PWRON POFF	00h	ERSTB
	0B	WATCHDOG	R/W	---	---	---	---	WDOG SLPEN	WDOGEN	WDOGTIM[1:0]		03h	RSTB
	0C	WATCHDOGCNT	R	WATCHDOGCNT[7:0]								*	RSTB
	0D	PWRFUNC	R/W	---	---	SLP_TO_ OFFSEQ	---	---	---	OFFSEQ_ SEL	---	00h	RSTB
	0E	SLPCNT	W	---	---	SLPEXT	SLPENT	---	---	---	---	00h	RSTB
	0F	REPCNT	R/W	---	---	OFF_RESETQ[1:0]		---	---	REPWRTIM[1:0]	REPWRON	00h	RSTB
	10	PWRONTIMSET	R/W	DIS_OFF_ PWRON_TIM	OFF_PRESS_PWRON[2:0]			OFF_JUDGE_ PWRON	ON_PRESS_PWRON[2:0]			by OTP	RSTB
	11	NOETIMSETCNT	R/W	---	---	---	---	DIS_OFF_ NOE_TIM	OFF_JUDGE_ NOE	OFF_PRESS_NOE[1:0]		05h	RSTB
	12	PWRIREN	R/W	---	EN_ WDOG	EN_ NOE_OFF	EN_ PWRON_OFF	EN_ OVTMP	EN_ PRVINDT	EN_ EXTIN	EN_ PWRON	00h	RSTB
	13	PWRIRQ	R/W	---	IR_ WDOG	IR_ NOE_OFF	IR_ PWRON_OFF	IR_ OVTMP	IR_ PRVINDT	IR_ EXTIN	IR_ PWRON	*	RSTB
	14	PWRMON	R	---	---	---	---	MON_ OVTMP	MON_ PRVINDT	MON_ EXTIN	MON_ PWRON	*	RSTB
	15	PWRIRSEL	R/W	---	---	---	---	SEL_ OVTMP	SEL_ PRVINDT	SEL_ EXTIN	SEL_ PWRON	0Fh	RSTB
	16	DC1_SLOT	R/W	DC1ONSL0T[3:0]				DC1SLPSLOT[3:0]				by OTP	RSTB
	17	DC2_SLOT	R/W	DC2ONSL0T[3:0]				DC2SLPSLOT[3:0]				by OTP	RSTB
	18	DC3_SLOT	R/W	DC3ONSL0T[3:0]				DC3SLPSLOT[3:0]				by OTP	RSTB
	19	DC4_SLOT	R/W	DC4ONSL0T[3:0]				DC4SLPSLOT[3:0]				by OTP	RSTB
	1A	---	---	---	---	---	---	---	---	---	---	00h	---
	1B	LD01_SLOT	R/W	LD01ONSL0T[3:0]				LD01SLPSLOT[3:0]				by OTP	RSTB
	1C	LD02_SLOT	R/W	LD02ONSL0T[3:0]				LD02SLPSLOT[3:0]				by OTP	RSTB
	1D	LD03_SLOT	R/W	LD03ONSL0T[3:0]				LD03SLPSLOT[3:0]				by OTP	RSTB
	1E	LD04_SLOT	R/W	LD04ONSL0T[3:0]				LD04SLPSLOT[3:0]				by OTP	RSTB
	1F	LD05_SLOT	R/W	LD05ONSL0T[3:0]				LD05SLPSLOT[3:0]				by OTP	RSTB
	20	---	---	---	---	---	---	---	---	---	---	00h	---
	21	---	---	---	---	---	---	---	---	---	---	00h	---
22	---	---	---	---	---	---	---	---	---	---	00h	---	
23	---	---	---	---	---	---	---	---	---	---	00h	---	
24	---	---	---	---	---	---	---	---	---	---	00h	---	
25	PS00_SLOT	R/W	PS00ONSL0T[3:0]				PS00SLPSLOT[3:0]				by OTP	RSTB	
26	PS01_SLOT	R/W	PS01ONSL0T[3:0]				PS01SLPSLOT[3:0]				by OTP	RSTB	
27	PS02_SLOT	R/W	PS02ONSL0T[3:0]				PS02SLPSLOT[3:0]				by OTP	RSTB	
28	PS03_SLOT	R/W	PS03ONSL0T[3:0]				PS03SLPSLOT[3:0]				by OTP	RSTB	
29	---	---	---	---	---	---	---	---	---	---	00h	---	
2A	LDORTC1_SLOT	R/W	LDORTC1ONSL0T[3:0]				LDORTC1SLPSLOT[3:0]				by OTP	RSTB	
2B	---	R/W	---	---	---	---	---	---	---	---	00h	---	

Block	Address	Symbol Name	R/W	D7	D6	D5	D4	D3	D2	D1	D0	Default	Reset		
DCDC	2C	DC1CTL	R/W	DC1MODE_SLP[1:0]		DC1MODE[1:0]	---	---		DC1DIS	DC1EN	by other bit or OTP	RSTB, ERSTB(only DC1DIS)		
	2D	DC1CTL2	R/W	reserved		DC1SR[1:0]	---	DC1LIM[1:0]			DC1LIMSDEN	by other bit or OTP	RSTB		
	2E	DC2CTL	R/W	DC2MODE_SLP[1:0]		DC2MODE[1:0]	---	---	DC2DIS		DC2EN	by other bit or OTP	RSTB, ERSTB(only DC2DIS)		
	2F	DC2CTL2	R/W	reserved		DC2SR[1:0]	---	DC2LIM[1:0]			DC2LIMSDEN	by other bit or OTP	RSTB		
	30	DC3CTL	R/W	DC3MODE_SLP[1:0]		DC3MODE[1:0]	---	---	DC3DIS		DC3EN	by other bit or OTP	RSTB, ERSTB(only DC3DIS)		
	31	DC3CTL2	R/W	reserved		DC3SR[1:0]	---	DC3LIM[1:0]			DC3LIMSDEN	by other bit or OTP	RSTB		
	32	DC4CTL	R/W	DC4MODE_SLP[1:0]		DC4MODE[1:0]	---	---	DC4DIS		DC4EN	by other bit or OTP	RSTB, ERSTB(only DC4DIS)		
	33	DC4CTL2	R/W	reserved		DC4SR[1:0]	---	DC4LIM[1:0]			DC4LIMSDEN	by other bit or OTP	RSTB		
	34	---	---	---	---	---	---	---	---	---	---	00h	---		
	35	---	---	---	---	---	---	---	---	---	---	00h	---		
	36	DC1DAC	R/W					DC1DAC[7:0]					by OTP	RSTB	
	37	DC2DAC	R/W					DC2DAC[7:0]					by OTP	RSTB	
	38	DC3DAC	R/W					DC3DAC[7:0]					by OTP	RSTB	
	39	DC4DAC	R/W					DC4DAC[7:0]					by OTP	RSTB	
	3A	---	---	---	---	---	---	---	---	---	---	---	00h	---	
	3B	DC1DAC_SLP	R/W					DC1DAC_SLP[7:0]					by other bit or OTP	RSTB	
	3C	DC2DAC_SLP	R/W					DC2DAC_SLP[7:0]					by other bit or OTP	RSTB	
	3D	DC3DAC_SLP	R/W					DC3DAC_SLP[7:0]					by other bit or OTP	RSTB	
	3E	DC4DAC_SLP	R/W					DC4DAC_SLP[7:0]					by other bit or OTP	RSTB	
	3F	---	---	---	---	---	---	---	---	---	---	---	00h	---	
	40	DCIREN	R/W	---	---	---	---	---	EN_DC4LIM	EN_DC3LIM	EN_DC2LIM	EN_DC1LIM	00h	RSTB	
	41	DCIRQ	R/W	---	---	---	---	---	IR_DC4LIM	IR_DC3LIM	IR_DC2LIM	IR_DC1LIM	00h	RSTB	
	42	DCIRMON	R	---	---	---	---	---	MON_DC4LIM	MON_DC3LIM	MON_DC2LIM	MON_DC1LIM	*	RSTB	
	43	---	---	---	---	---	---	---	---	---	---	---	00h	---	
	LDO	44	LDOEN1	R/W	---	---	---	---	LD05EN	LDO4EN	LDO3EN	LDO2EN	LDO1EN	by other bit or OTP	RSTB
		45	LDOEN2	R/W	---	---	LDORTC2EN	LDORTC1EN	---	---	---	---	---	by OTP	RSTB
		46	LDODIS1	R/W	---	---	---	---	LDO5DIS	LDO4DIS	LDO3DIS	LDO2DIS	LDO1DIS	1Fh	ERSTB
		47	---	---	---	---	---	---	---	---	---	---	---	00h	---
		48	---	---	---	---	---	---	---	---	---	---	---	00h	---
		49	---	---	---	---	---	---	---	---	---	---	---	00h	---
		4A	---	---	---	---	---	---	---	---	---	---	---	00h	---
		4B	---	---	---	---	---	---	---	---	---	---	---	00h	---
		4C	LDO1DAC	R/W	---	---	---	---	LDO1DAC[6:0]					by OTP	RSTB
		4D	LDO2DAC	R/W	---	---	---	---	LDO2DAC[6:0]					by OTP	RSTB
		4E	LDO3DAC	R/W	---	---	---	---	LDO3DAC[6:0]					by OTP	RSTB
		4F	LDO4DAC	R/W	---	---	---	---	LDO4DAC[6:0]					by OTP	RSTB
		50	LDO5DAC	R/W	---	---	---	---	LDO5DAC[6:0]					by OTP	RSTB
		51	---	---	---	---	---	---	---	---	---	---	---	00h	---
		52	---	---	---	---	---	---	---	---	---	---	---	00h	---
		53	---	---	---	---	---	---	---	---	---	---	---	00h	---
		54	---	---	---	---	---	---	---	---	---	---	---	00h	---
		55	---	---	---	---	---	---	---	---	---	---	---	00h	---
		56	LDORTC1DAC	R/W	---	---	---	---	LDORTC1DAC[6:0]					by OTP	RSTB
57		LDORTC2DAC	R/W	---	---	---	---	LDORTC2DAC[6:0]					by OTP	RSTB	
58		LDO1DAC_SLP	R/W	---	---	---	---	LDO1DAC_SLP[6:0]					by OTP	RSTB	
59		LDO2DAC_SLP	R/W	---	---	---	---	LDO2DAC_SLP[6:0]					by OTP	RSTB	
5A	LDO3DAC_SLP	R/W	---	---	---	---	LDO3DAC_SLP[6:0]					by OTP	RSTB		
5B	LDO4DAC_SLP	R/W	---	---	---	---	LDO4DAC_SLP[6:0]					by OTP	RSTB		
5C	LDO5DAC_SLP	R/W	---	---	---	---	LDO5DAC_SLP[6:0]					by OTP	RSTB		
5D	---	---	---	---	---	---	---	---	---	---	---	00h	---		
5E	---	---	---	---	---	---	---	---	---	---	---	00h	---		
5F	---	---	---	---	---	---	---	---	---	---	---	00h	---		
60-6F	---	---	---	---	---	---	---	---	---	---	---	00h	---		
GPIO	90	IOSEL	R/W	---	---	---	---	IO03	IO02	IO01	IO00	00h	RSTB		
	91	IOOUT	R/W	---	---	---	---	IOOUT03	IOOUT02	IOOUT01	IOOUT00	00h	RSTB		
	92	GPEDGE1	R/W	EDGE03[1:0]	EDGE02[1:0]			EDGE01[1:0]			EDGE00[1:0]	00h	RSTB		
	93	---	---	---	---	---	---	---	---	---	---	00h	---		
	94	EN_GPIR	R/W	---	---	---	---	EN_GP03IR	EN_GP02IR	EN_GP01IR	EN_GP00IR	00h	RSTB		
	95	IR_GPR	R/W	---	---	---	---	IR_GP03R	IR_GP02R	IR_GP01R	IR_GP00R	00h	RSTB		
	96	IR_GPF	R/W	---	---	---	---	IR_GP03F	IR_GP02F	IR_GP01F	IR_GP00F	00h	RSTB		
	97	MON_JOIN	R	---	---	---	---	MON_IOIN03	MON_IOIN02	MON_IOIN01	MON_IOIN00	*	---		
	98	GPLED_FUNC	R/W	GP1_LEDMODE	GP1_LEDFUNC[1:0]			GP0_LEDMODE	GP0_LEDFUNC[1:0]			by OTP	RSTB		
	99	---	R/W	---	---	---	---	---	---	---	---	00h	RSTB		
9A	---	R/W	---	---	---	---	---	---	---	---	00h	RSTB			
9B	---	---	---	---	---	---	---	---	---	---	00h	---			
INTC	9C	INTPOL	R/W	---	---	---	---	---	---	---	INTPOL	00h	RSTB		
	9D	INTEN	R/W	---	---	---	GPIO_IREN	---	---	DCDC_IREN	SYSTEM_IREN	00h	RSTB		
	9E	INTMON	R	---	---	WDG_IRM	GPIO_IRM	---	---	DCDC_IRM	SYSTEM_IRM	*	---		
	9F	---	---	---	---	---	---	---	---	---	---	00h	---		
SYSTEM OPTION	B0	PREVINDAC	R/W	---	---	---	---	---	PREVINDACH	PREVINDAC[1:0]		by OTP	ERSTB		
	B1	---	---	---	---	---	---	---	---	---	---	00h	---		
	B2	---	---	---	---	---	---	---	---	---	---	00h	---		
	B3	---	---	---	---	---	---	---	---	---	---	00h	---		
	B4	---	---	---	---	---	---	---	---	---	---	00h	---		
	B5	---	---	---	---	---	---	---	---	---	---	00h	---		
	B6	---	---	---	---	---	---	---	---	---	---	00h	---		
	B7	---	---	---	---	---	---	---	---	---	---	00h	---		
	B8	---	---	---	---	---	---	---	---	---	---	00h	---		
	B9	---	---	---	---	---	---	---	---	---	---	00h	---		
	BA	---	---	---	---	---	---	---	---	---	---	00h	---		
	BB	---	---	---	---	---	---	---	---	---	---	00h	---		
	BC	OVTEMP	R/W	---	---	---	---	---	---	---	OVTEMP[1:0]	by OTP	ERSTB		
	BD	---	---	---	---	---	---	---	---	---	---	00h	---		
	BE	---	---	---	---	---	---	---	---	---	---	00h	---		
	BF	---	---	---	---	---	---	---	---	---	---	00h	---		
C0-FF	---	---	---	---	---	---	---	---	---	---	---	00h	---		

12.2 SYSTEM

12.2.1 LSIVER: LSI Version Register (Address 00h)

Bit	7	6	5	4	3	2	1	0
Symbol	LSIVER							
R/W	R	R	R	R	R	R	R	R
Default	0	0	0	0	0	0	0	1

Bit [7:0]: LSIVER

This register indicates the LSI version.

12.2.2 OTPVER: OTP Version Register (Address 01h)

Bit	7	6	5	4	3	2	1	0
Symbol	OTPVER							
R/W	R	R	R	R	R	R	R	R
Default	By OTP	By OTP	By OTP	By OTP	By OTP	By OTP	By OTP	By OTP

Bit [6:0]: OTPVER

This register indicates the OTP version.

12.2.3 IODAC: IODET Detection Voltage Setting Register (Address 02h)

Bit	7	6	5	4	3	2	1	0
Symbol	-	-	IODAC[5:0]					
R/W	R/W	R/W	R/W	R/W	R/W	R/W	R/W	R/W
Default	0	0	By OTP	By OTP	By OTP	By OTP	By OTP	By OTP

Bit [5:0]: IODAC

Sets a detection voltage for IODET.

The default voltage can be set to the following values by OTP: 1.4V, 1.6V, 1.85V, 2.1V, 2.35V, 2.6V, 2.85V, and 3.1V

IODET Detection Voltage Table (Step = 50mV)

IODAC[5:0]	Detection Voltage [V]
000000 (00h)	Prohibit
⋮	Prohibit
001100(0Ch)	1.40(↓)
⋮	⋮
010000(10h)	1.60(↓)
⋮	⋮
101000(28h)	2.80(↓)
⋮	⋮
110000(30h)	3.20(↓)
⋮	Prohibit
111111(3Fh)	Prohibit

12.2.4 VINDAC: VINDET Detection Voltage Setting Register (Address 03h)

Bit	7	6	5	4	3	2	1	0
Symbol	VINR RESET	-	-	VINHYS	-	VINDAC[2:0]		
R/W	R/W	R/W	R/W	R/W	R/W	R/W	R/W	R/W
Default	By OTP	0	0	By OTP	0	By OTP	By OTP	By OTP

Bit [7]: VINRRESET

Selects the reset condition for the VINHYS and the VINDAC bits.

- 0: RSTB
- 1: ERSTB

Bit [4]: VINHYS

Sets the hysteresis voltage for VINDET.

- 1: 200mV
- 0: 500mV

Bit [2:0]: VINDAC

Sets the detection voltage for VINDET

VINDET Detection Voltage Table (Step = 100mV)

VINDAC[2:0]	Detection Voltage [V]
000 (0h)	2.6(↓)
001 (1h)	2.7(↓)
010 (2h)	2.8(↓)
011 (3h)	2.9(↓)
100 (4h)	3.0(↓)
101 (5h)	3.1(↓)
110 (6h)	3.2(↓)
111 (7h)	3.3(↓)

The default voltage can be set up all the above register values by OTP.

12.2.5 OUT32KEN: C32KOUT Control Register (Address 05h)

Bit	7	6	5	4	3	2	1	0
Symbol	-	-	-	OUT32KEN3	OUT32KEN2	OUT32KEN1	OUT32KEN0	-
R/W	R/W	R/W	R/W	R/W	R/W	R/W	R/W	R/W
Default	0	0	0	By OTP	By OTP	By OTP	By OTP	0

Bit [4]: OUT32KEN3

Selects the clock output control bit from GPIO3(C32KOUT3) pin. (OTP Option)

0: Disabled

1: Enabled

Bit [3]: OUT32KEN2

Selects the clock output control bit from GPIO2(C32KOUT2) pin. (OTP Option)

0: Disabled

1: Enabled

Bit [2]: OUT32KEN1

Selects the clock output control bit from GPIO1(C32KOUT1) pin. (OTP Option)

0: Disabled

1: Enabled

Bit [1]: OUT32KEN0

Selects the clock output control bit from GPIO0(C32KOUT0) pin. (OTP Option)

0: Disabled

1: Enabled

12.3 I2C**12.3.1 CPUCNT: CPUIF Control Register (Address 06h)**

Bit	7	6	5	4	3	2	1	0
Symbol	-	-	-	-	-	-	INCB	POWER I2C
R/W	R	R	R	R	R	R	R/W	R/W
Default	0	0	0	0	0	0	0	0

Bit [1]: INCB

Sets the I2C R/W format (Automatic increment in address pointers).

0: Enabled (Automatic increment)

1: Disabled

Bit [0]: POWERI2C

Sets the power I2C format.

0: Disabled

1: Enabled

12.4 Power Control**12.4.1 PSWR: Power Supply Watch Register (Address 07h)**

Bit	7	6	5	4	3	2	1	0
Symbol	RRESET	PSWR						
R/W	R/W	R/W	R/W	R/W	R/W	R/W	R/W	R/W
Default	0	0	0	0	0	0	0	0

This register is reset to "00h" by UVLO.

Bit [7]: RRESET

Selects a reset condition of registers which is reset by RSTB during the POWEROFF state. By setting this bit to "1", all registers are not reset. Writing to this bit is prohibited in Parts Mode.

0: Reset

1: Not reset (The reset condition is same as ERSTB).

Bit [6:0]: PSWR

After this device powers on, the CPU writes some unique value except for "00h" and recognizes whether the register data of the power supply is maintained.

12.4.2 PONHIS: Power-on History Register (Address 09h)

Bit	7	6	5	4	3	2	1	0
Symbol	-	-	-	-	ON_EXTIN PON	-	REPWR PON	PWRON PON
R/W	R	R	R	R	R	R	R	R
Default	0	0	0	0	Undefined	0	Undefined	Undefined

The CPU can read this register to recognize a power-on factor. The power-on factor is set when the power-on sequence starts.

Bit [3]: ON_EXTINPON

Indicates the occurrence of the power-on when detecting assertion of ON_EXTIN.

Bit [1]: REPWRPON

Indicates that the repower-on has occurred by the power-off with setting REPWRON bit to 1.
Same as repower-on by HRESET.

Bit [0]: PWRONPON

Indicates the occurrence of the power-on when detecting assertion of PWRON.

12.4.3 POFFHIS: Power-off History Register (Address 0Ah)

Bit	7	6	5	4	3	2	1	0
Symbol	N_OE POFF	DCLIM POFF	WDG POFF	CPU POFF	IODET POFF	VINDET POFF	TSHUT POFF	PWRON POFF
R/W	R	R	R	R	R	R	R	R
Default	Undefined	Undefined	Undefined	Undefined	Undefined	Undefined	Undefined	Undefined

The CPU can read this register to recognize a power-off factor. The power-off factor is set when the power-off sequence starts or the forced power-off.

Bit [7]: N_OEPOFF

Indicates the occurrence of the power-off when detecting assertion of N_OE or HRESET.

Bit [6]: DCLIMPOFF

Indicates the occurrence of the power-off when detecting an overcurrent on DCDCn (n: 1 to 4).

Bit [5]: WDGPOFF

Indicates the occurrence of the power-off by the watchdog timer.

Bit [4]: CPUPOFF

Indicates the occurrence of the power-off by the followings:

- SWPWROFF bit setting.
- PSHOLD(GPIO*) is low.
- PSHOLD(GPIO*) is timeout.

Bit [3]: IODETPOFF

Indicates the occurrence of the power-off when detecting the IODET assertion.

Bit [2]: VINDETPOFF

Indicates the occurrence of the forced power-off when detecting the low power condition in the VINDET circuit

Bit [1]: TSHUTPOFF

Indicates the occurrence of the forced power-off when detecting an abnormal temperature in the thermal shutdown circuit

Bit [0]: PWRONPOFF

Indicates the occurrence of the power-off when detecting assertion of PWRON.

12.4.4 WATCHDOG: Watchdog Timer Setting Register (Address 0Bh)

Bit	7	6	5	4	3	2	1	0
Symbol	-	-	-	-	WDOG SLPEN	WDOG EN	WDOGTIM	
R/W	R/W	R/W	R/W	R/W	R/W	R/W	R/W	R/W
Default	0	0	0	0	0	0	1	1

The count value of watchdog timer is cleared by accessing (R/W) to this register.

Bit [3]: WDOGSLPEN

Valid / Invalid the watchdog timer during SLEEP state.

0: Invalid (Stop the countdown)

1: Valid (Kept the countdown and generated the interrupt after expiring the timer)

Bit [2]: WDOGEN

Enabled / Disabled the power-off function by the watchdog timer.

Writing to this bit is prohibited in Parts Mode.

0: Disabled

1: Enabled

This bit can restrict the writing by OTP as to whether rewritable or not.

Bit [1:0]: WDOGTIM

Sets the CPU access time for monitoring by watchdog timer.

WDOGTIM[1:0]	Timeout [sec]
00	1
01	8
10	32
11	128 (default)

12.4.5 WATCHDOGCNT: Watchdog Timer Count Register (Address 0Ch)

Bit	7	6	5	4	3	2	1	0
Symbol	WATCHDOGCNT							
R/W	R	R	R	R	R	R	R	R
Default	Undefined	Undefined	Undefined	Undefined	Undefined	Undefined	Undefined	Undefined

Bit [7:0]: WATCHDOGCNT

Indicates the count value of watchdog timer.

The readout value of this register is determined by the setting of WDOGTIM bits as indicated below.

WDOGTIM[1:0]	WATCHDOGCNT Readout Value
00	25 msec / 1bit
01	50 msec / 1bit
10	200 msec / 1bit
11	800 msec / 1bit

Example: If the value = 10h (16d) and WDOGTIM = 11b,
the power-off sequence starts by watchdog after the (16 * 800 msec + 1 sec).

Note*: In order to prevent malfunction of reading operation, read this register twice or more continuously, and if both count value data match, they are determined as the value is read accurately.

12.4.6 PWRFUNC: Power Control Function Register (Address 0Dh)

Bit	7	6	5	4	3	2	1	0
Symbol	-	-	SLP_TO_OFFSEQ	-	-	-	OFFSEQ_SEL	-
R/W	R	R	R/W	R	R	R	R/W	R
Default	0	0	0	0	0	0	0	0

Bit [5]: SLP_TO_OFFSEQ

Allows a change to the POWEROFF SEQUENCE state by detecting PWRON long press during SLEEP state. Writing to this bit is prohibited in Parts Mode.

- 0: Invalid
- 1: Valid

Bit [1]: OFFSEQ_SEL

Power-off sequence timing select bit. Writing to this bit is prohibited in Parts Mode.

- 0: By ONSLOT registers.
- 1: At Slot_15.

12.4.7 SLPCNT: Sleep Control Register (Address 0Eh)

Bit	7	6	5	4	3	2	1	0
Symbol	-	-	SLPEXIT	SLPENT	-	-	-	SWPWROFF
R/W	W	W	W	W	W	W	W	W
Default	0	0	0	0	0	0	0	0

Bit [5]: SLPEXIT

During SLEEP state, this PMU changes to SLEEP EXIT SEQUENCE state by writing "1" in this bit. Writing to this bit is prohibited in Parts Mode.

Bit [4]: SLPENT

During POWERON state, this PMU changes to SLEEP ENTRY SEQUENCE state by writing "1" in this bit. Writing to this bit is prohibited in Parts Mode.

Bit [0]: SWPWROFF

During POWERON state, this PMU changes to POWEROFF SEQUENCE state by writing "1" in this bit.

12.4.8 REPCNT: Repower-on Control Register (Address 0Fh)

Bit	7	6	5	4	3	2	1	0
Symbol	-	-	OFF_RESETO		-	REPWRTIM		REPWRON
R/W	R/W	R/W	R/W	R/W	R/W	R/W	R/W	R/W
Default	0	0	0	0	0	0	0	0

Bit [5:4]: OFF_RESETO

Setting time asserted RESETO pin. Writing to this bit is prohibited in Parts Mode.

OFF_RESETO[1:0]	Time [ms]
00	0 (default)
01	2
10	8
11	16

Bit [2:1]: REPWRTIM

Setting time between the power-off sequence finishes and the power-on sequence starts.

REPWRTIM[1:0]	Time [ms]
00	10 (default)
01	100
10	500
11	1000

Bit [0]: REPWRON

By setting this bit to “1”, this PMU powers on after the power-off without the power-on factors.

Writing to this bit is prohibited in Parts Mode.

0: Disabled

1: Enabled

12.4.9 PWRONTIMSET: PWRON Timer Setting Register (Address 10h)

Bit	7	6	5	4	3	2	1	0
Symbol	DIS_OFF_PWRON_TIM	OFF_PRESS_PWRON			OFF_JUDGE_PWRON	ON_PRESS_PWRON		
R/W	R/W	R/W	R/W	R/W	R/W	R/W	R/W	R/W
Default	0	0	1	1	1	by OTP	by OTP	by OTP

Bit [7]: DIS_OFF_PWRON_TIM

Clear and initializing the PWRON off_press timer value and over-flow flag.

0: Enabled

1: Disabled

Bit [6:4]: OFF_PRESS_PWRON

Setting of PWRON off_press timer.

Writing to this bit is prohibited in Parts Mode.

OFF_PRESS_PWRON[2:0]	Timeout [sec]
000	0
001	1
010	2
011	4 (default)
100	6
101	8
110	10
111	12

Bit [3]: OFF_JUDGE_PWRON

Setting of PWRON judge timer.

Writing to this bit is prohibited in Parts Mode.

OFF_JUDGE_PWRON	Timeout [sec]
0	0
1	1 (default)

Bit [2:0]: ON_PRESS_PWRON

Setting of PWRON on_press timer.

Writing to this bit is prohibited in Parts Mode.

ON_PRESS_PWRON[2:0]	Timeout
000	0 ms
001	20 ms
010	128 ms
011	1 sec
100	2 sec
101	3 sec
110	Prohibit
111	Prohibit

The default time can be set up the following values by OTP: 0ms, 20ms, 1s, 3s

12.4.10 NOETIMSET: N_OE Timer Setting Register (Address 11h)

Bit	7	6	5	4	3	2	1	0
Symbol	-	-	-	-	DIS_OFF_NOE_TIM	OFF_JUDGE_NOE	OFF_PRESS_NOE	
R/W	R	R	R	R	R/W	R/W	R/W	R/W
Default	0	0	0	0	0	1	0	1

Bit [3]: DIS_OFF_NOE_TIM

Clear and initializing the N_OE off_press timer value and over-flow flag.

0: Enabled

1: Disabled

Bit [2]: OFF_JUDGE_NOE

Setting of N_OE judge timer

Writing to this bit is prohibited in Parts Mode.

Note*: It is possible to write this bit by writing "1" in DIS_OFF_NOE_TIM.

OFF_JUDGE_NOE	Timeout [sec]
0	0
1	1 (default)

Bit [1:0]: OFF_PRESS_NOE

Setting of N_OE off_press timer.

Writing to this bit is prohibited in Parts Mode.

Note*: It is possible to write this bit by writing "1" in DIS_OFF_NOE_TIM.

OFF_PRESS_NOE[1:0]	Timeout
00	128 ms
01	1 sec (default)
10	2 sec
11	3 sec

12.4.11 PWRIREN: Power Control Interrupt Factor Output Enable Register (Address 12h)

Bit	7	6	5	4	3	2	1	0
Symbol	-	EN_WDOG	EN_NOE_OFF	EN_PWRON_OFF	EN_OVTEMP	EN_PRVINDT	EN_EXTIN	EN_PWRON
R/W	R/W	R/W	R/W	R/W	R/W	R/W	R/W	R/W
Default	0	0	0	0	0	0	0	0

Bit [6]: EN_WDOG

Enable outputs of the interrupt request in the watchdog timer. Writing to this bit is prohibited in Parts Mode.

0: Disabled

1: Enabled

Bit [5]: EN_NOE_OFF

Enable outputs of the interrupt request in the NOE timer. Power-off by long-press doesn't depend on EN_NOE_OFF bit setting.

0: Disabled

1: Enabled

Bit [4]: EN_PWRON_OFF

Enable outputs of the interrupt request in the PWRON timer. Power-off by long-press doesn't depend on EN_PWRON_OFF bit setting.

0: Disabled

1: Enabled

Bit [3]: EN_OVTEMP

Enable outputs of the interrupt request when detecting overheat temperature.

0: Disabled

1: Enabled

Bit [2]: EN_PRVINDT

Enable output of the interrupt request when the power supply to VSYS below the VINDET detection voltage.

0: Disabled

1: Enabled

Bit [1]: EN_EXTIN

Enable outputs of the interrupt request when ON_EXTIN pin input signal changes.

0: Disabled

1: Enabled

Bit [0]: EN_PWRON

Enable outputs of the interrupt request when PWRON pin input signal changes.

0: Disabled

1: Enabled

12.4.12 PWRIRQ: Power Control Interrupt Factor Register (Address 13h)

Bit	7	6	5	4	3	2	1	0
Symbol	-	IR_WDOG	IR_NOE_OFF	IR_PWRO_N_OFF	IR_OVTEMP	IR_PRVINDT	IR_EXTIN	IR_PWRON
R/W	R/W	R/W	R/W	R/W	R/W	R/W	R/W	R/W
Default	0	Undefined	Undefined	Undefined	Undefined	Undefined	Undefined	Undefined

Each bit can be cleared by writing “0” but cannot be set by writing “1”.

Bit [6]: IR_WDOG

Store the interrupt request factor in the watchdog timer.

0: None

1: Requested

Bit [5]: IR_NOE_OFF

Store the interrupt request factor in the NOE timer.

0: None

1: Requested

Bit [4]: IR_PWRON_OFF

Store the interrupt request factor in the PWRON timer.

0: None

1: Requested

Bit [3]: IR_OVTEMP

Store the interrupt request factor in the detecting overheat temperature.

0: None

1: Requested

Bit [2]: IR_PRVINDT

Store the interrupt request factor in the power supply to VSYS below the VINDET detection voltage.

0: None

1: Requested

Bit [1]: IR_EXTIN

Store the interrupt request factor when ON_EXTIN pin input signal changes.

0: None

1: Requested

Bit [0]: IR_PWRON

Store the interrupt request factor when PWRON pin input signal changes.

0: None

1: Requested

12.4.13 PWRMON: Power Control Interrupt Factor Monitoring Register (Address 14h)

Bit	7	6	5	4	3	2	1	0
Symbol	-	-	-	-	MON_ OVTEMP	MON_ PRVINDT	MON_ EXTIN	MON_ PWRON
R/W	R	R	R	R	R	R	R	R
Default	0	0	0	0	Undefined	Undefined	Undefined	Undefined

Bit [3]: MON_OVTEMP

Monitor the detection state of overheat circuit.

0: Normal temperature

1: Abnormal temperature

Bit [2]: MON_PRVINDT

Monitor PREVINDET detection signal.

0: Over PREVINDET release voltage

1: Under PREVINDET detection voltage

Bit [1]: MON_EXTIN

Monitor ON_EXTIN signal.

0: ON_EXTIN deassert

1: ON_EXTIN assert

Bit [0]: MON_PWRON

Monitor PWRON signal.

0: PWRON is released

1: PWRON is held down

12.4.14 PWRIRSEL: Power Control Interrupt Type Setting Register (Address 15h)

Bit	7	6	5	4	3	2	1	0
Symbol	-	-	-	-	SEL_ OVTEMP	SEL_ PRVINDT	SEL_ EXTIN	SEL_ PWRON
R/W	R/W	R/W	R/W	R/W	R/W	R/W	R/W	R/W
Default	0	0	0	0	1	1	1	1

For the details of interrupt, refer to the chapter of the interrupt controller (INTC).

Bit [3]: SEL_OVTEMP

Select the type of the interrupt by the overheat temperature detection.

Bit [2]: SEL_PRVINDT

Select the type of the interrupt by Pre-VINDET detection signal.

Bit [1]: SEL_EXTIN

Select the type of the interrupt by ON_EXTIN input signal changes.

Bit [0]: SEL_PWRON

Select the type of the interrupt by PWRON input signal changes.

SEL_***	Type
0	Level
1	Both-edge

12.4.15 *_SLOT:Power-On/Off And Sleep Entry/Exit Sequence Setting Register (Address 16h - 2Ah)**

(*** = DC1-4, LDO1-5, LDORTC1, PSO0-3)

DC1 SLOT (16h)

Bit	7	6	5	4	3	2	1	0
Symbol	DC1ONSLLOT				DC1SLPSLOT			
R/W	R/W	R/W	R/W	R/W	R/W	R/W	R/W	R/W
Default	by OTP	by OTP	by OTP	by OTP	1	1	1	1

DC2 SLOT (17h)

Bit	7	6	5	4	3	2	1	0
Symbol	DC2ONSLLOT				DC2SLPSLOT			
R/W	R/W	R/W	R/W	R/W	R/W	R/W	R/W	R/W
Default	by OTP	by OTP	by OTP	by OTP	1	1	1	1

DC3 SLOT (18h)

Bit	7	6	5	4	3	2	1	0
Symbol	DC3ONSLLOT				DC3SLPSLOT			
R/W	R/W	R/W	R/W	R/W	R/W	R/W	R/W	R/W
Default	by OTP	by OTP	by OTP	by OTP	1	1	1	1

DC4 SLOT (19h)

Bit	7	6	5	4	3	2	1	0
Symbol	DC4ONSLLOT				DC4SLPSLOT			
R/W	R/W	R/W	R/W	R/W	R/W	R/W	R/W	R/W
Default	by OTP	by OTP	by OTP	by OTP	1	1	1	1

LDO1 SLOT (1Bh)

Bit	7	6	5	4	3	2	1	0
Symbol	LDO1ONSLLOT				LDO1SLPSLOT			
R/W	R/W	R/W	R/W	R/W	R/W	R/W	R/W	R/W
Default	by OTP	by OTP	by OTP	by OTP	1	1	1	1

LDO2 SLOT (1Ch)

Bit	7	6	5	4	3	2	1	0
Symbol	LDO2ONSLLOT				LDO2SLPSLOT			
R/W	R/W	R/W	R/W	R/W	R/W	R/W	R/W	R/W
Default	by OTP	by OTP	by OTP	by OTP	1	1	1	1

LDO3 SLOT (1Dh)

Bit	7	6	5	4	3	2	1	0
Symbol	LDO3ONSLLOT				LDO3SLPSLOT			
R/W	R/W	R/W	R/W	R/W	R/W	R/W	R/W	R/W
Default	by OTP	by OTP	by OTP	by OTP	1	1	1	1

LDO4 SLOT (1E)

Bit	7	6	5	4	3	2	1	0
Symbol	LDO4ONSLOT				LDO4SLPSLOT			
R/W	R/W	R/W	R/W	R/W	R/W	R/W	R/W	R/W
Default	by OTP	by OTP	by OTP	by OTP	1	1	1	1

LDO5 SLOT (1F)

Bit	7	6	5	4	3	2	1	0
Symbol	LDO5ONSLOT				LDO5SLPSLOT			
R/W	R/W	R/W	R/W	R/W	R/W	R/W	R/W	R/W
Default	by OTP	by OTP	by OTP	by OTP	1	1	1	1

PSO0 SLOT (25h)

Bit	7	6	5	4	3	2	1	0
Symbol	PSO0ONSLOT				PSO0SLPSLOT			
R/W	R/W	R/W	R/W	R/W	R/W	R/W	R/W	R/W
Default	by OTP	by OTP	by OTP	by OTP	1	1	1	1

PSO1 SLOT (26h)

Bit	7	6	5	4	3	2	1	0
Symbol	PSO1ONSLOT				PSO1SLPSLOT			
R/W	R/W	R/W	R/W	R/W	R/W	R/W	R/W	R/W
Default	by OTP	by OTP	by OTP	by OTP	1	1	1	1

PSO2 SLOT (27h)

Bit	7	6	5	4	3	2	1	0
Symbol	PSO2ONSLOT				PSO2SLPSLOT			
R/W	R/W	R/W	R/W	R/W	R/W	R/W	R/W	R/W
Default	by OTP	by OTP	by OTP	by OTP	1	1	1	1

PSO3 SLOT (28h)

Bit	7	6	5	4	3	2	1	0
Symbol	PSO3ONSLOT				PSO3SLPSLOT			
R/W	R/W	R/W	R/W	R/W	R/W	R/W	R/W	R/W
Default	by OTP	by OTP	by OTP	by OTP	1	1	1	1

LDORTC1 SLOT (2Ah)

Bit	7	6	5	4	3	2	1	0
Symbol	LDORTC1ONSLOT				LDORTC1SLPSLOT			
R/W	R/W	R/W	R/W	R/W	R/W	R/W	R/W	R/W
Default	by OTP	by OTP	by OTP	by OTP	1	1	1	1

Bit [7:4]: ***ONSLOT (***=DC1-4, LDO1-5, LDORTC1, PSO0-3)

Setting the on/off timing of power-on/off sequence

Bit [3:0]: ***SLPSLOT (***=DC1-4, LDO1-5, LDORTC1, PSO0-3)

Setting the on/off timing of sleep entry/exit sequence

The following restrictions exist.

If the value of DC1-4/LDO1-5ONSLOT registers is Fh, the control of DCDCx/LDOxEXON pins are disabled in Parts Mode.

***SLOT[3:0]	Power-on/off sequence time slot number	Sleep entry/exit sequence time slot number
0000		Slot _0
0001		Slot _1
0010		Slot _2
0011		Slot _3
0100		Slot _4
⋮		⋮
1010		Slot _10
1011		Slot _11
1100		Slot _12
1101		Slot _13
1110		Slot _14
1111	Default Off	The state in POWERON state is maintained

12.5 DCDC**12.5.1 DC1CTL: DCDC1 Control Register (Address 2Ch)**

Bit	7	6	5	4	3	2	1	0
Symbol	DC1MODE_SLP[1:0]		DC1MODE[1:0]		-	-	DC1DIS	DC1EN
R/W	R/W	R/W	R/W	R/W	R/W	R/W	R/W	R/W
Default	0	0	0	0	0	0	1	By OTP

Bit [7:6]: DC1MODE_SLP[1 :0]

DCDC1 mode setting bit at the SLEEP state

Bit [5:4]: DC1MODE[1 :0]

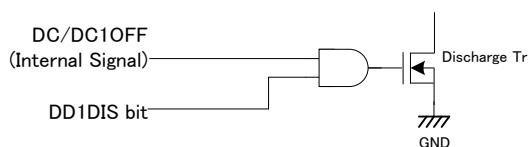
DCDC1 mode setting bit at the POWERON state

- 00: Auto mode
- 01: PWM mode
- 10: PSM mode
- 11: Auto mode

Bit [1]: DC1DIS

DCDC1 discharge control bit

- 0: Off
- 1: On (This bit is invalid when DCDC1 state is on.)

**Bit [0]: DC1EN**

DCDC1 enable bit

- 0: Disabled
- 1: Enabled

The initial value of this register depends on the initial value of DC1ONSL0T register and Mode setting.

The initial value of DC1ONSL0T register and Mode setting are set by OTP.

·Normal Mode

- DC1ONSL0T = Fh: DC1EN = 0b
- DC1ONSL0T = 0h-Eh: DC1EN = 1b

·Parts Mode

- DC1EN = 1b

12.5.2 DC1CTL2: DCDC1 Control2 Register (Address 2Dh)

Bit	7	6	5	4	3	2	1	0
Symbol	(reserved)		DC1SR[1:0]		-	DC1LIM[1:0]		DC1LIMSDEN
R/W	R/W	R/W	R/W	R/W	R/W	R/W	R/W	R/W
Default	By OTP	By OTP	0	0	0	By OTP	By OTP	By OTP

Bit [7:6]: reserved

These bits are reserved. Writing these bits are prohibited.

Bit [5:4]: DC1SR

DCDC1 ramp rate of output voltage setting bit. Writing this register is prohibited during the ramp control.

DC1SR[1:0]	Voltage Slope
00	14 mV / us (default)
01	7 mV / us
10	3.5 mV / us
11	Prohibited

Bit [2:1]: DC1LIM

DCDC1 minimum current limit setting bit

DC1LIM[1:0]	Current Limit
00	No Limit
01	3.2A
10	3.7A
11	4.0A

The default current can be set up all the above register values by OTP.

Bit [0]: DC1LIMSDEN

Enable shutdown function from the current limit detection of DCDC1.

The current limit detection is to continue exceeding limit current during 2ms.

0: Disabled

1: Enabled

The initial value of this register depends on Mode setting. Mode setting is set by OTP.

·Normal Mode

DC1LIMSDEN = 1b

·Parts Mode

DC1LIMSDEN = 0b

12.5.3 DC2CTL: DCDC2 Control Register (Address 2Eh)

Bit	7	6	5	4	3	2	1	0
Symbol	DC2MODE_SLP[1:0]		DC2MODE[1:0]		-	-	DC2DIS	DC2EN
R/W	R/W	R/W	R/W	R/W	R/W	R/W	R/W	R/W
Default	0	0	0	0	0	0	1	By OTP

Bit [7:6]: DC2MODE_SLP[1 :0]

DCDC2 mode setting bit at the SLEEP state

Bit [5:4]: DC2MODE[1 :0]

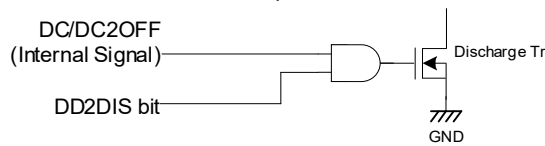
DCDC2 mode setting bit at the POWERON state

- 00: Auto mode
- 01: PWM mode
- 10: PSM mode
- 11: Auto mode

Bit [1]: DC2DIS

DCDC2 discharge control bit

- 0: Off
- 1: On (This bit is invalid when DCDC2 state is on.)



Bit [0]: DC2EN

DCDC2 enable bit

- 0: Disabled
- 1: Enabled

The initial value of this register depends on the initial value of DC2ONSLOT register and Mode setting. The initial value of DC2ONSLOT register and Mode setting are set by OTP.

·Normal Mode

- DC2ONSLOT = Fh: DC2EN = 0b
- DC2ONSLOT = 0h-Eh: DC2EN = 1b

·Parts Mode

- DC2EN = 1b

12.5.4 DC2CTL2: DCDC2 Control2 Register (Address 2Fh)

Bit	7	6	5	4	3	2	1	0
Symbol	(reserved)		DC2SR[1:0]		-	DC2LIM[1:0]		DC2LIMSDEN
R/W	R/W	R/W	R/W	R/W	R/W	R/W	R/W	R/W
Default	By OTP	By OTP	0	0	0	By OTP	By OTP	By OTP

Bit [7:6]: reserved

These bits are reserved. Writing these bits are prohibited.

Bit [5:4]: DC2SR

DCDC2 ramp rate of output voltage setting bit. Writing this register is prohibited during the ramp control.

DC2SR[1:0]	Voltage Slope
00	14 mV / us (default)
01	7 mV / us
10	3.5 mV / us
11	Prohibited

Bit [2:1]: DC2LIM

DCDC2 minimum current limit setting bit

DC2LIM[1:0]	Current Limit
00	No Limit
01	3.2A
10	3.7A
11	4.0A

The default current can be set up all the above register values by OTP.

Bit [0]: DC2LIMSDEN

Enable shutdown function from the current limit detection of DCDC2.

The current limit detection is to continue exceeding limit current during 2ms.

0: Disabled

1: Enabled

The initial value of this register depends on Mode setting. Mode setting is set by OTP.

·Normal Mode

DC2LIMSDEN = 1b

·Parts Mode

DC2LIMSDEN = 0b

12.5.5 DC3CTL: DCDC3 Control Register (Address 30h)

Bit	7	6	5	4	3	2	1	0
Symbol	DC3MODE_SLP[1:0]		DC3MODE[1:0]		-	-	DC3DIS	DC3EN
R/W	R/W	R/W	R/W	R/W	R/W	R/W	R/W	R/W
Default	0	0	0	0	0	0	1	By OTP

Bit [7:6]: DC3MODE_SLP[1 :0]

DCDC3 mode setting bit at the SLEEP state

Bit [5:4]: DC3MODE[1 :0]

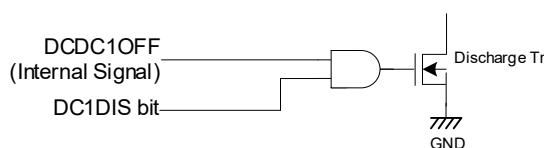
DCDC3 mode setting bit at the POWERON state

- 00: Auto mode
- 01: PWM mode
- 10: PSM mode
- 11: Auto mode

Bit [1]: DC3DIS

DCDC3 discharge control bit

- 0: Off
- 1: On (This bit is invalid when DCDC3 state is on.)

**Bit [0]: DC3EN**

DCDC3 enable bit

- 0: Disabled
- 1: Enabled

The initial value of this register depends on the initial value of DC3ONSLOT register and Mode setting. The initial value of DC3ONSLOT register and Mode setting are set by OTP.

·Normal Mode

DC3ONSLOT = Fh: DC3EN = 0b
 DC3ONSLOT = 0h-Eh: DC3EN = 1b

·Parts Mode

DC3EN = 1b

12.5.6 DC3CTL2: DCDC3 Control2 Register (Address 31h)

Bit	7	6	5	4	3	2	1	0
Symbol	(reserved)		DC3SR[1:0]		-	DC3LIM[1:0]		DC3LIMSDEN
R/W	R/W	R/W	R/W	R/W	R/W	R/W	R/W	R/W
Default	By OTP	By OTP	0	0	0	By OTP	By OTP	By OTP

Bit [7:6]: reserved

These bits are reserved. Writing these bits are prohibited.

Bit [5:4]: DC3SR

DCDC3 ramp rate of output voltage setting bit. Writing this register is prohibited during the ramp control.

DC3SR[1:0]	Voltage Slope
00	14 mV / us (default)
01	7 mV / us
10	3.5 mV / us
11	Prohibited

Bit [2:1]: DC3LIM

DCDC3 minimum current limit setting bit

DC3LIM[1:0]	Current Limit
00	No Limit
01	2.3A
10	2.8A
11	3.2A

The default current can be set up all the above register values by OTP.

Bit [0]: DC3LIMSDEN

Enable shutdown function from the current limit detection of DCDC3.

The current limit detection is to continue exceeding limit current during 2ms.

0: Disabled

1: Enabled

The initial value of this register depends on Mode setting. Mode setting is set by OTP.

·Normal Mode

DC3LIMSDEN = 1b

·Parts Mode

DC3LIMSDEN = 0b

12.5.7 DC4CTL: DCDC4 Control Register (Address 32h)

Bit	7	6	5	4	3	2	1	0
Symbol	DC4MODE_SLP[1:0]		DC4MODE[1:0]		-	-	DC4DIS	DC4EN
R/W	R/W	R/W	R/W	R/W	R/W	R/W	R/W	R/W
Default	0	0	0	0	0	0	1	By OTP

Bit [7:6]: DC4MODE_SLP[1:0]

DCDC4 mode setting bit at the SLEEP state

Bit [5:4]: DC4MODE[1:0]

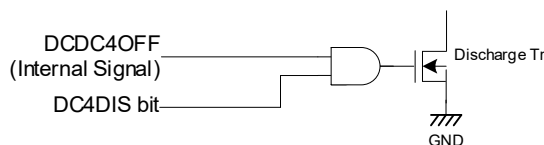
DCDC4 mode setting bit at the POWERON state

- 00: Auto mode
- 01: PWM mode
- 10: PSM mode
- 11: Auto mode

Bit [1]: DC4DIS

DCDC4 discharge control bit

- 0: Off
- 1: On (This bit is invalid when DCDC4 state is on.)

Bit [0]: DC4EN

DCDC4 enable bit

- 0: Disabled
- 1: Enabled

The initial value of this register depends on the initial value of DC4ONSLOT register and Mode setting.

The initial value of DC4ONSLOT register and Mode setting are set by OTP.

·Norma Mode

DC4ONSLOT = Fh: DC4EN = 0b

DC4ONSLOT = 0h-Eh: DC4EN = 1b

·Parts Mode

DC4EN = 1b

12.5.8 DC4CTL2: DCDC4 Control2 Register (Address 33h)

Bit	7	6	5	4	3	2	1	0
Symbol	(reserved)		DC4SR[1:0]		-	DC4LIM[1:0]		DC4LIMSDEN
R/W	R/W	R/W	R/W	R/W	R/W	R/W	R/W	R/W
Default	By OTP	By OTP	0	0	0	By OTP	By OTP	By OTP

Bit [7:6]: reserved

These bits are reserved. Writing these bits are prohibited.

Bit [5:4]: DC4SR

DCDC4 ramp rate of output voltage setting bit. Writing this register is prohibited during the ramp control.

DC4SR[1:0]	Voltage Slope
00	14 mV / us (default)
01	7 mV / us
10	3.5 mV / us
11	Prohibited

Bit [2:1]: DC4LIM

DCDC4 minimum current limit setting bit

DC4LIM[1:0]	Current Limit
00	No Limit
01	2.3A
10	2.8A
11	3.2A

The default current can be set up all the above register values by OTP.

Bit [0]: DC4LIMSDEN

Enable shutdown function from the current limit detection of DCDC4.

The current limit detection is to continue exceeding limit current during 2ms.

0: Disabled

1: Enabled

The initial value of this register depends on Mode setting. Mode setting is set by OTP.

·Normal Mode

DC4LIMSDEN = 1b

·Parts Mode

DC4LIMSDEN = 0b

12.5.9 DC1DAC: DCDC1 Output Voltage Control Register (Address 36h)

Bit	7	6	5	4	3	2	1	0
Symbol	DC1DAC[7:0]							
R/W	R/W	R/W	R/W	R/W	R/W	R/W	R/W	R/W
Default	By OTP	By OTP	By OTP	By OTP	By OTP	By OTP	0	0

12.5.10 DC2DAC: DCDC2 Output Voltage Control Register (Address 37h)

Bit	7	6	5	4	3	2	1	0
Symbol	DC2DAC[7:0]							
R/W	R/W	R/W	R/W	R/W	R/W	R/W	R/W	R/W
Default	By OTP	By OTP	By OTP	By OTP	By OTP	By OTP	0	0

12.5.11 DC3DAC: DCDC3 Output Voltage Control Register (Address 38h)

Bit	7	6	5	4	3	2	1	0
Symbol	DC3DAC[7:0]							
R/W	R/W	R/W	R/W	R/W	R/W	R/W	R/W	R/W
Default	By OTP	By OTP	By OTP	By OTP	By OTP	By OTP	0	0

12.5.12 DC4DAC: DCDC4 Output Voltage Control Register (Address 39h)

Bit	7	6	5	4	3	2	1	0
Symbol	DC4DAC[7:0]							
R/W	R/W	R/W	R/W	R/W	R/W	R/W	R/W	R/W
Default	By OTP	By OTP	By OTP	By OTP	By OTP	By OTP	0	0

The default voltage can be set up from 0.6V to 3.5V in 50mV/step by OTP.

DCDCn Output Voltage Table (n:1 to 4, in 12.5mV step)

DCnDAC[7:0]	Output Voltage [V]
0000000 (00h)	0.6000
⋮	⋮
0011000 (18h)	0.9000
⋮	⋮
1011100 (5Ch)	1.7500
⋮	⋮
11101000 (E8h)	3.5000
⋮	Prohibit
11111111 (FFh)	Prohibit

12.5.13 DC1DAC_SLP: DCDC1 Output Voltage Control Register in Sleep (Address 3Bh)

Bit	7	6	5	4	3	2	1	0
Symbol	DC1DAC_SLP[7:0]							
R/W	R/W	R/W	R/W	R/W	R/W	R/W	R/W	R/W
Default	By OTP	By OTP	By OTP	By OTP	By OTP	By OTP	0	0

12.5.14 DC2DAC_SLP: DCDC2 Output Voltage Control Register in Sleep (Address 3Ch)

Bit	7	6	5	4	3	2	1	0
Symbol	DC2DAC_SLP[7:0]							
R/W	R/W	R/W	R/W	R/W	R/W	R/W	R/W	R/W
Default	By OTP	By OTP	By OTP	By OTP	By OTP	By OTP	0	0

12.5.15 DC3DAC_SLP: DCDC3 Output Voltage Control Register in Sleep (Address 3Dh)

Bit	7	6	5	4	3	2	1	0
Symbol	DC3DAC_SLP[7:0]							
R/W	R/W	R/W	R/W	R/W	R/W	R/W	R/W	R/W
Default	By OTP	By OTP	By OTP	By OTP	By OTP	By OTP	0	0

12.5.16 DC4DAC_SLP: DCDC4 Output Voltage Control Register in Sleep (Address 3Eh)

Bit	7	6	5	4	3	2	1	0
Symbol	DC4DAC_SLP[7:0]							
R/W	R/W	R/W	R/W	R/W	R/W	R/W	R/W	R/W
Default	By OTP	By OTP	By OTP	By OTP	By OTP	By OTP	0	0

The default voltage is set to the value of the DC1-4DAC register.

DCDCn Output Voltage Table (n:1 to 4, in 12.5mV step)

DCnDAC_SLP[7:0]	Output Voltage [V]
0000000 (00h)	0.6000
⋮	⋮
0011000 (18h)	0.9000
⋮	⋮
1011100 (5Ch)	1.7500
⋮	⋮
11101000 (E8h)	3.5000
⋮	Prohibit
11111111 (FFh)	Prohibit

12.5.17 DCIREN: DCDC Interrupt Enable Register (Address 40h)

Bit	7	6	5	4	3	2	1	0
Symbol	-	-	-	-	EN_ DC4LIM	EN_ DC3LIM	EN_ DC2LIM	EN_ DC1LIM
R/W	R/W	R/W	R/W	R/W	R/W	R/W	R/W	R/W
Default	0	0	0	0	0	0	0	0

Bit [3:0]: EN_DCnLIM (n=1, 2, 3, 4)

DCDCn current limit interrupt enable bit

0: Disabled

1: Enabled

12.5.18 DCIRQ: DCDC Interrupt Flag Register (Address 41h)

Bit	7	6	5	4	3	2	1	0
Symbol	-	-	-	-	IR_ DC4LIM	IR_ DC3LIM	IR_ DC2LIM	IR_ DC1LIM
R/W	R/W	R/W	R/W	R/W	R/W	R/W	R/W	R/W
Default	0	0	0	0	0	0	0	0

Each bit can be cleared by writing “0” but cannot be set by writing “1”.

Bit [3:0]: IR_DCnLIM (n=1, 2, 3, 4)

DCDCn current limit flag bit

0: None

1: Requested

12.5.19 DCIRMON: DCDC Interrupt Monitor Register (Address 42h)

Bit	7	6	5	4	3	2	1	0
Symbol	-	-	-	-	MON_ DC4LIM	MON_ DC3LIM	MON_ DC2LIM	MON_ DC1LIM
R/W	R	R	R	R	R	R	R	R
Default	0	0	0	0	0	0	0	0

Bit [3:0]: MON_DCnLIM (n=1, 2, 3, 4)

DCDCn current limit interrupt monitor bit

0: Undetected

1: Detected

12.6 LDO**12.6.1 LDOEN1: LDOs On / Off Control Register (Address 44h)**

Bit	7	6	5	4	3	2	1	0
Symbol	-	-	-	LDO5EN	LDO4EN	LDO3EN	LDO2EN	LDO1EN
R/W	R/W	R/W	R/W	R/W	R/W	R/W	R/W	R/W
Default	0	0	0	By OTP	By OTP	By OTP	By OTP	By OTP

Bit [4:0]: LDO_nEN (n=1, 2, 3, 4, 5)

LDO_n on/off control bit

0: Off

1: On

The initial value of this register depends on the initial value of LDO_nONSLOT register, the mode setting.

The initial value of LDO_nONSLOT register, the mode setting is set by OTP.

·Normal Mode

LDO_nONSLOT = Fh: LDO_nEN = 0b

LDO_nONSLOT = 0h-Eh: LDO_nEN = 1b

·Parts Mode

LDO_nEN = 1b

12.6.2 LDOEN2: LDOs On / Off Control Register (Address 45h)

Bit	7	6	5	4	3	2	1	0
Symbol	-	-	LDORTC2 EN ⁽¹⁾	LDORTC1 EN ⁽²⁾	-	-	-	-
R/W	R/W	R/W	R/W	R/W	R/W	R/W	R/W	R/W
Default	0	0	By OTP	By OTP	0	0	0	0

Bit [5:4]: LDO_nEN (n= RTC,RTC2)

LDO_n on/off control bit

0: Off

1: On

The initial value of LDO_nONSLOT register, Mode setting and Always-on setting are set by OTP.

·Always-on

LDORTC1EN = 1b (without dependence on Mode setting)

·Normal Mode

LDORTC1ONSLOT = Fh: LDORTC1EN = 0b

LDORTC1ONSLOT = 0h-Eh: LDORTC1EN = 1b

⁽¹⁾ Writing to this bit is prohibited when GPIO2 pin is not set as LDORTC2 output.

⁽²⁾ The initial value of this register depends on the initial value of LDORTC1ONSLOT register, Mode setting and Always-on setting.

12.6.3 LDODIS: LDOs On / Off Control Register (Address 46h)

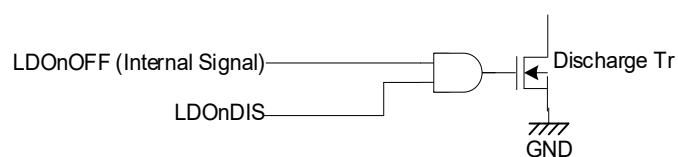
Bit	7	6	5	4	3	2	1	0
Symbol	-	-	-	LDO5DIS	LDO4DIS	LDO3DIS	LDO2DIS	LDO1DIS
R/W	R/W	R/W	R/W	R/W	R/W	R/W	R/W	R/W
Default	0	0	0	1	1	1	1	1

Bit [4:0]: LDO_nDIS (n=1, 2, 3, 4, 5)

LDO_n discharge Tr on/off control bit

0: Off

1: On (This bit is invalid when LDO_n state is on.)

**12.6.4 LDO1DAC: LDO1 Output Voltage Control Register (Address 4Ch)**

Bit	7	6	5	4	3	2	1	0
Symbol	-	LDO1DAC						
R/W	R	R/W	R/W	R/W	R/W	R/W	R/W	R
Default	0	By OTP	By OTP	By OTP	By OTP	By OTP	By OTP	0

12.6.5 LDO2DAC: LDO2 Output Voltage Control Register (Address 4Dh)

Bit	7	6	5	4	3	2	1	0
Symbol	-	LDO2DAC						
R/W	R	R/W	R/W	R/W	R/W	R/W	R/W	R
Default	0	By OTP	By OTP	By OTP	By OTP	By OTP	By OTP	0

The default voltage can be set up from 0.9V to 3.5V in 50mV/step by OTP.

LDO1 / 2 Output Voltage Table (in 50mV step)

LDO _n DAC[6:0]	Output Voltage [V]
0000000 (00h)	0.900
0000010 (02h)	0.950
⋮	⋮
0100100 (24h)	1.800
⋮	⋮
1101000 (68h)	3.500
⋮	Prohibit
1111110 (7Eh)	Prohibit

12.6.6 LDO3DAC: LDO3 Output Voltage Control Register (Address 4Eh)

Bit	7	6	5	4	3	2	1	0
Symbol	-	LDO3DAC						
R/W	R	R/W	R/W	R/W	R/W	R/W	R/W	R
Default	0	By OTP	By OTP	By OTP	By OTP	By OTP	By OTP	0

The default voltage can be set up from 0.6V to 3.5V in 50mV/step by OTP.

LDO3 Output Voltage (in 50mV step)

LDO3DAC[6:0]	Output Voltage [V]
0000000 (00h)	0.600
0000010 (02h)	0.650
⋮	⋮
0110000 (30h)	1.800
⋮	⋮
1110100 (74h)	3.500
⋮	Prohibit
1111110 (7Eh)	Prohibit

12.6.7 LDO4DAC: LDO4 Output Voltage Control Register (Address 4Fh)

Bit	7	6	5	4	3	2	1	0
Symbol	-	LDO4DAC						
R/W	R	R/W	R/W	R/W	R/W	R/W	R/W	R
Default	0	By OTP	By OTP	By OTP	By OTP	By OTP	By OTP	0

12.6.8 LDO5DAC: LDO5 Output Voltage Control Register (Address 50h)

Bit	7	6	5	4	3	2	1	0
Symbol	-	LDO5DAC						
R/W	R	R/W	R/W	R/W	R/W	R/W	R/W	R
Default	0	By OTP	By OTP	By OTP	By OTP	By OTP	By OTP	0

The default voltage can be set up from 0.9V to 3.5V in 50mV/step by OTP.

LDO4 / 5 Output Voltage (in 50mV step)

LDO _n DAC[6:0]	Output Voltage [V]
0000000 (00h)	0.900
0000010 (02h)	0.950
⋮	⋮
0100100 (24h)	1.800
⋮	⋮
1101000 (68h)	3.500
⋮	Prohibit
1111110 (7Eh)	Prohibit

12.6.9 LDORTCDAC: LDORTC Output Voltage Control Register (Address 56h)

Bit	7	6	5	4	3	2	1	0
Symbol	-	LDORTCDAC						
R/W	R	R/W	R/W	R/W	R/W	R/W	R/W	R
Default	0	By OTP	By OTP	By OTP	By OTP	By OTP	By OTP	0

LDORTC Output Voltage (in 50mV step)

LDORTCDAC[6:0]	Output Voltage [V]
0000000 (00h)	1.200
0000010 (02h)	1.250
⋮	⋮
0011000 (18h)	1.800
⋮	⋮
1011100 (5Ch)	3.500
⋮	Prohibit
1111110 (7Eh)	Prohibit

The default voltage can be set up from 1.2V to 3.5V in 50mV/step by OTP.

12.6.10 LDORTC2DAC: LDORTC2 Output Voltage Control Register (Address 57h)

Bit	7	6	5	4	3	2	1	0
Symbol	-	LDORTC2DAC						
R/W	R	R/W	R/W	R/W	R/W	R/W	R/W	R
Default	0	By OTP	By OTP	By OTP	By OTP	By OTP	By OTP	0

The default voltage can be set up from 0.9V to 3.5V in 50mV/step by OTP.

LDORTC2 Output Voltage (in 50mV step)

LDORTC2DAC[6:0]	Output Voltage [V]
0000000 (00h)	0.900
0000010 (02h)	0.950
⋮	⋮
0100100 (24h)	1.800
⋮	⋮
1101000 (68h)	3.500
⋮	Prohibit
1111110 (7Eh)	Prohibit

12.6.11 LDO1DAC_SLP: LDO1 Output Voltage Control Register in Sleep (Address 58h)

Bit	7	6	5	4	3	2	1	0
Symbol	-	LDO1DAC_SLP[6:0]						
R/W	R	R/W	R/W	R/W	R/W	R/W	R/W	R
Default	0	By OTP	By OTP	By OTP	By OTP	By OTP	By OTP	0

12.6.12 LDO2DAC_SLP: LDO2 Output Voltage Control Register in Sleep (Address 59h)

Bit	7	6	5	4	3	2	1	0
Symbol	-	LDO2DAC_SLP[6:0]						
R/W	R	R/W	R/W	R/W	R/W	R/W	R/W	R
Default	0	By OTP	By OTP	By OTP	By OTP	By OTP	By OTP	0

The default voltage is set to the value of the LDO_nDAC register.

LDO1 / 2 Output Voltage (in 50mV step)

LDO _n DAC_SLP[6:0]	Output Voltage [V]
0000000 (00h)	0.900
0000010 (02h)	0.950
⋮	⋮
0100100 (24h)	1.800
⋮	⋮
1101000 (68h)	3.500
⋮	Prohibit
1111110 (7Eh)	Prohibit

12.6.13 LDO3DAC_SLP: LDO3 Output Voltage Control Register in Sleep (Address 5Ah)

Bit	7	6	5	4	3	2	1	0
Symbol	-	LDO3DAC_SLP[6:0]						
R/W	R	R/W	R/W	R/W	R/W	R/W	R/W	R
Default	0	By OTP	By OTP	By OTP	By OTP	By OTP	By OTP	0

The default voltage is set to the value of the LDO3DAC register.

LDO3 Output Voltage (in 50mV step)

LDO3DAC_SLP[6:0]	Output Voltage [V]
0000000 (00h)	0.600
0000010 (02h)	0.650
⋮	⋮
0110000 (30h)	1.800
⋮	⋮
1110100 (74h)	3.500
⋮	Prohibit
1111110 (7Eh)	Prohibit

12.6.14 LDO4DAC_SLP: LDO4 Output Voltage Control Register in Sleep (Address 5Bh)

Bit	7	6	5	4	3	2	1	0
Symbol	-	LDO4DAC_SLP[6:0]						
R/W	R	R/W	R/W	R/W	R/W	R/W	R/W	R
Default	0	By OTP	By OTP	By OTP	By OTP	By OTP	By OTP	0

12.6.15 LDO5DAC_SLP: LDO5 Output Voltage Control Register in Sleep (Address 5Ch)

Bit	7	6	5	4	3	2	1	0
Symbol	-	LDO5DAC_SLP[6:0]						
R/W	R	R/W	R/W	R/W	R/W	R/W	R/W	R
Default	0	By OTP	By OTP	By OTP	By OTP	By OTP	By OTP	0

The default voltage is set to the value of the LDO_nDAC register.

LDO4 / 5 Output Voltage (in 50mV step)

LDO _n DAC_SLP[6:0]	Output Voltage [V]
0000000 (00h)	0.900
0000010 (02h)	0.950
⋮	⋮
0100100 (24h)	1.800
⋮	⋮
1101000 (68h)	3.500
⋮	Prohibit
1111110 (7Eh)	Prohibit

12.7 GPIO

12.7.1 IOSEL: GPIO Direction Setting Register (Address 90h)

IOSEL register can set the input/output of GPIO pin. Writing “0” in the register, the corresponding pin becomes input pin, and becomes output pin when writing “1”.

Bit	7	6	5	4	3	2	1	0
Symbol	-	-	-	-	IO03	IO02	IO01	IO00
R/W	R/W	R/W	R/W	R/W	R/W	R/W	R/W	R/W
Default	0	0	0	0	0	0	0	0

Bit	Symbol	R/W	Function	1	0	Initial Value
3	IO03	R/W	GPI03 Direction Setting bit	Output	Input	0
2	IO02	R/W	GPI02 Direction Setting bit	Output	Input	0
1	IO01	R/W	GPI01 Direction Setting bit	Output	Input	0
0	IO00	R/W	GPI00 Direction Setting bit	Output	Input	0

Note*1: IO03 – IO00 are invalid when PSO ⁽¹⁾ mode.

12.7.2 IOOUT: GPIO Output Signal Register (Address 91h)

IOOUT register can set “L” or “Hi-Z” of GPIO pin when GP pin is set as output.

By writing “0” in IOOUT register, the corresponding pin outputs “L” and becomes “Hi-Z” by writing “1”.

Bit	7	6	5	4	3	2	1	0
Symbol	-	-	-	-	IOOUT03	IOOUT02	IOOUT01	IOOUT00
R/W	R/W	R/W	R/W	R/W	R/W	R/W	R/W	R/W
Default	0	0	0	0	0	0	0	0

Bit	Symbol	R/W	Function	1	0	Initial Value
3	IOOUT03	R/W	GPI03 Output Setting bit	H	L	0
2	IOOUT02	R/W	GPI02 Output Setting bit	H	L	0
1	IOOUT01	R/W	GPI01 Output Setting bit	H	L	0
0	IOOUT00	R/W	GPI00 Output Setting bit	H	L	0

Note*1: Valid only in the output mode.

Note*2: When the output circuit is set as Nch open drain by OTP, the output of GP pin becomes not “H” but “Hi-Z”.

⁽¹⁾ PSO: Power-on Signal Output for the external devices.

12.7.3 GPEDGE1: GPIO Interrupt Detection Type Setting Register (Address 92h)

GPEDGE register can set GPIO interrupt detection type.

Bit	7	6	5	4	3	2	1	0
Symbol	EDGE03		EDGE02		EDGE01		EDGE00	
R/W	R/W	R/W	R/W	R/W	R/W	R/W	R/W	R/W
Default	0	0	0	0	0	0	0	0

Bit	Symbol	R/W	Function	1	0	Initial Value
7-6	EDGE03	R/W	GPIO3 Interrupt Detection Type Setting bit	As below		00
5-4	EDGE02	R/W	GPIO2 Interrupt Detection Type Setting bit	As below		00
3-2	EDGE01	R/W	GPIO1 Interrupt Detection Type Setting bit	As below		00
1-0	EDGE00	R/W	GPIO0 Interrupt Detection Type Setting bit	As below		00

EDGE*[1:0]	Detection Function
00	Level (default)
01	Rising Edge
10	Falling Edge
11	Both Edge

12.7.4 EN_GPIR: Interrupt Enable Register (Address 94h)

Writing "1" enables the interrupt request.

Bit	7	6	5	4	3	2	1	0
Symbol	-	-	-	-	EN_ GP03IR	EN_ GP02IR	EN_ GP01IR	EN_ GP00IR
R/W	R/W	R/W	R/W	R/W	R/W	R/W	R/W	R/W
Default	0	0	0	0	0	0	0	0

Bit	Symbol	R/W	Function	1	0	Initial Value
3	EN_GP03IR	R/W	GPIO3 interrupt enable bit	Enable	Disable	0
2	EN_GP02IR	R/W	GPIO2 interrupt enable bit	Enable	Disable	0
1	EN_GP01IR	R/W	GPIO1 interrupt enable bit	Enable	Disable	0
0	EN_GP00IR	R/W	GPIO0 interrupt enable bit	Enable	Disable	0

12.7.5 IR_GPR: Rising Edge Interrupt Request Register (Address 95h)

In the rising edge or both edge mode, IR_GPR register can monitor the interrupt request of rising edge.

The register is cleared by writing "0" in the corresponding bit but cannot be set by writing "1".

The function above-mentioned is operated in level mode as well.

However, it cannot be cleared while the interrupt request signal is "H".

Bit	7	6	5	4	3	2	1	0
Symbol	-	-	-	-	IR_ GP03R	IR_ GP02R	IR_ GP01R	IR_ GP00R
R/W	R/W	R/W	R/W	R/W	R/W	R/W	R/W	R/W
Default	0	0	0	0	0	0	0	0

Bit	Symbol	R/W	Function	1	0	Initial Value
3	IR_GP03R	R/W	GPI03 Rising Edge Interrupt Request bit	Requested	None	0
2	IR_GP02R	R/W	GPI02 Rising Edge Interrupt Request bit	Requested	None	0
1	IR_GP01R	R/W	GPI01 Rising Edge Interrupt Request bit	Requested	None	0
0	IR_GP00R	R/W	GPI00 Rising Edge Interrupt Request bit	Requested	None	0

12.7.6 IR_GPF: Falling Edge Interrupt Request Register (Address 96h)

In the falling edge or both edge mode, IR_GPF can monitor the interrupt request of falling edge.

It is cleared by writing "0" corresponding bit but cannot be set by writing "1".

Bit	7	6	5	4	3	2	1	0
Symbol	-	-	-	-	IR_ GP03F	IR_ GP02F	IR_ GP01F	IR_ GP00F
R/W	R/W	R/W	R/W	R/W	R/W	R/W	R/W	R/W
Default	0	0	0	0	0	0	0	0

Bit	Symbol	R/W	Function	1	0	Initial Value
3	IR_GP03F	R/W	GPI03 Falling Edge Interrupt Request bit	Requested	None	0
2	IR_GP02F	R/W	GPI02 Falling Edge Interrupt Request bit	Requested	None	0
1	IR_GP01F	R/W	GPI01 Falling Edge Interrupt Request bit	Requested	None	0
0	IR_GP00F	R/W	GPI00 Falling Edge Interrupt Request bit	Requested	None	0

12.7.7 MON_IOIN: GPIO Input Signal Read Register (Address 97h)

MON_IOIN register can monitor the debounced signal from GP pin.

Bit	7	6	5	4	3	2	1	0
Symbol	-	-	-	-	MON_IOIN03	MON_IOIN02	MON_IOIN01	MON_IOIN00
R/W	R	R	R	R	R	R	R	R
Default	0	0	0	0	Undefined	Undefined	Undefined	Undefined

Bit	Symbol	R/W	Function	1	0	Initial Value
3	MON_IOIN03	R	GPI03 input status bit	H	L	-
2	MON_IOIN02	R	GPI02 input status bit	H	L	-
1	MON_IOIN01	R	GPI01 input status bit	H	L	-
0	MON_IOIN00	R	GPI00 input status bit	H	L	-

12.7.8 GPLED_FUNC: LED Function Setting Register (Address 98h)

When set to LED function, GPIO0 and GPIO1 can be changed type of flicker for LED.

Bit	7	6	5	4	3	2	1	0
Symbol	-	GP1_LEDMODE	GP1_LEDFUNC[1:0]		-	GP0_LEDMODE	GP0_LEDFUNC[1:0]	
R/W	R/W	R/W	R/W	R/W	R/W	R/W	R/W	R/W
Default	0	By OTP	0	0	0	By OTP	0	0

Bit	Symbol	R/W	Function	1	0	Initial Value
6	GP1_LEDMODE	R/W	GP1 LED_MODE Select bit	As below		OTP
5-4	GP1_LEDFUNC	R/W	GP1 Type of Flicker Select bit			0
2	GP0_LEDMODE	R/W	GP0 LED_MODE Select bit	As below		OTP
1-0	GP0_LEDFUNC	R/W	GP0 Type of Flicker Select bit			0

LED Mode (GP*_LEDMODE bit)	Power-On/Off status or Flicker Control (GP*_LEDFUNC bit)	GPIO	
		Mode	Flicker Type
0	Power-Off	POWERON/OFF function	Off
	Power-On		Always Turn-On
1	00b	LED function	Off
	01b		1Hz Flicker (25% Turn-on)
	10b		4Hz Flicker (25% Turn-on)
	11b		Always Turn-on

12.8 INTC**12.8.1 INTPOL: Interrupt Polarity Register (Address 9Ch)**

Bit	7	6	5	4	3	2	1	0
Symbol	-	-	-	-	-	-	-	INTPOL
R/W	R/W	R/W	R/W	R/W	R/W	R/W	R/W	R/W
Default	0	0	0	0	0	0	0	0

Bit 0: INTPOL

INTB pin polarity

0: Low-active

1: High-active

12.8.2 INTEN: Interrupt Output Control Register (Address 9Dh)

Bit	7	6	5	4	3	2	1	0
Symbol	-	-	-	GPIO IREN	-	-	DCDC IREN	SYSTEM IREN
R/W	R/W	R/W	R/W	R/W	R/W	R/W	R/W	R/W
Default	0	0	0	0	0	0	0	0

Bit [4]: GPIOIREN

GPIO interrupt enable

0: Disabled

1: Enabled

Bit [1]: DCDCIREN

DCDC interrupt enable

0: Disabled

1: Enabled

Bit [0]: SYSTEMIREN

SYSTEM interrupt enable

0: Disabled

1: Enabled

12.8.3 INTMON: Interrupt Monitor Register (Address 9Eh)

Bit	7	6	5	4	3	2	1	0
Symbol	-	-	WDG IRM	GPIO IRM	-	-	DCDC IRM	SYSTEM IRM
R/W	R	R	R	R	R	R	R	R
Default	0	0	0	0	0	0	0	0

Bit [5]: WDGIRM

Watchdog interrupt flag monitor

0: None

1: Requested

Bit [4]: GPIOIRM

GPIO interrupt flag monitor

0: None

1: Requested

Bit [1]: DCDCIRM

DCDC interrupt flag monitor

0: None

1: Requested

Bit [0]: SYSTEMIRM

SYSTEM interrupt flag monitor

0: None

1: Requested

12.9 SYSTEM OPTION**12.9.1 PREVINDAC: PREVINDET Detection Voltage Setting Register (Address B0h)**

Bit	7	6	5	4	3	2	1	0
Symbol	-	-	-	-	-	PREVIN DACH	PREVIN DAC[1:0]	
R/W	R/W	R/W	R/W	R/W	R/W	R/W	R/W	R/W
Default	0	0	0	0	0	By OTP	By OTP	By OTP

The default voltage can be set up by OTP.

Bit [2]: PREVINDACH

Setting the detection voltage to PREVINDET

Bit [1:0]: PREVINDAC

Setting the detection voltage to PREVINDET

PREVINDET Output Voltage

PREVINDACH	PREVINDAC[1:0]	Detection Voltage [V]
0	00 (0h)	2.75(↑) / 2.7(↓)
0	01 (1h)	2.85(↑) / 2.8(↓)
0	10 (2h)	2.95(↑) / 2.9(↓)
0	11 (3h)	3.05(↑) / 3.0(↓)
1	00 (0h)	3.30(↑) / 3.2(↓)
1	01 (1h)	3.40(↑) / 3.3(↓)
1	10 (2h)	3.50(↑) / 3.4(↓)
1	11 (3h)	3.60(↑) / 3.5(↓)

12.9.2 OVTEMP: Overheat Detection Temperature Setting Register (Address BCh)

This register sets the detected temperature for Overheat temperature.

Bit	7	6	5	4	3	2	1	0
Symbol	-	-	-	-	-	-	OVTEMP[1:0]	
R/W	R/W	R/W	R/W	R/W	R/W	R/W	R/W	R/W
Default	0	0	0	0	0	0	By OTP	

Bit [1:0]: OVTEMP[1:0]

Setting the detected temperature at overheat detection.

OVTEMP[1:0]	Temperature [°C] (Detection / Recovery)
00 (0h)	105 / 85
01 (1h)	115 / 95
10 (2h)	125 / 105
11 (3h)	135 / 115

The power dissipation of the package is dependent on PCB material, layout, and environmental conditions. The following measurement conditions are based on JEDEC STD. 51-7.

Measurement Conditions

Item	Measurement Conditions
Environment	Mounting on Board (Wind Velocity = 0 m/s)
Board Material	Glass Cloth Epoxy Plastic (Four-Layer Board)
Board Dimensions	76.2 mm × 114.3 mm × 0.8 mm
Copper Ratio	Outer Layer (First Layer): Less than 95% of 50 mm Square Inner Layers (Second and Third Layers): Approx. 100% of 50 mm Square Outer Layer (Fourth Layer): Approx. 100% of 50 mm Square
Through-holes	φ 0.3 mm × 25 pcs

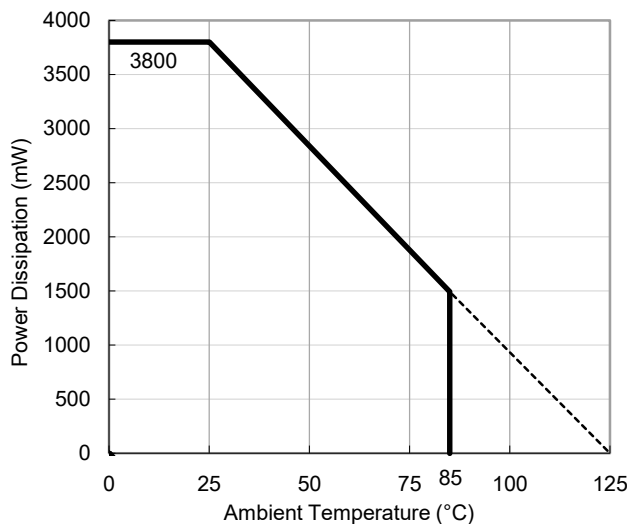
Measurement Result

(Ta = 25°C, Tjmax = 125°C)

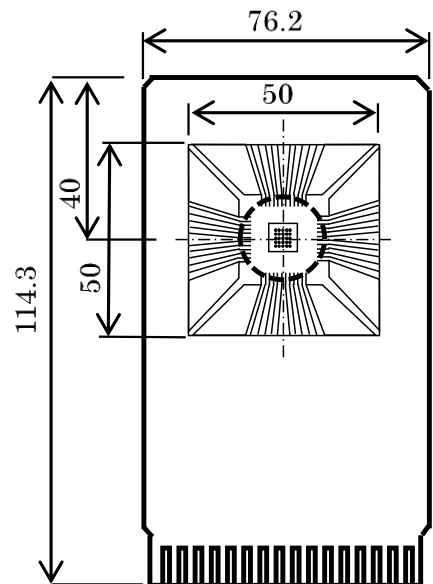
Item	Measurement Result
Power Dissipation	3800 mW
Thermal Resistance (θja)	θja = 26°C/W
Thermal Characterization Parameter (ψjt)	ψjt = 10°C/W

θja: Junction-to-ambient thermal resistance.

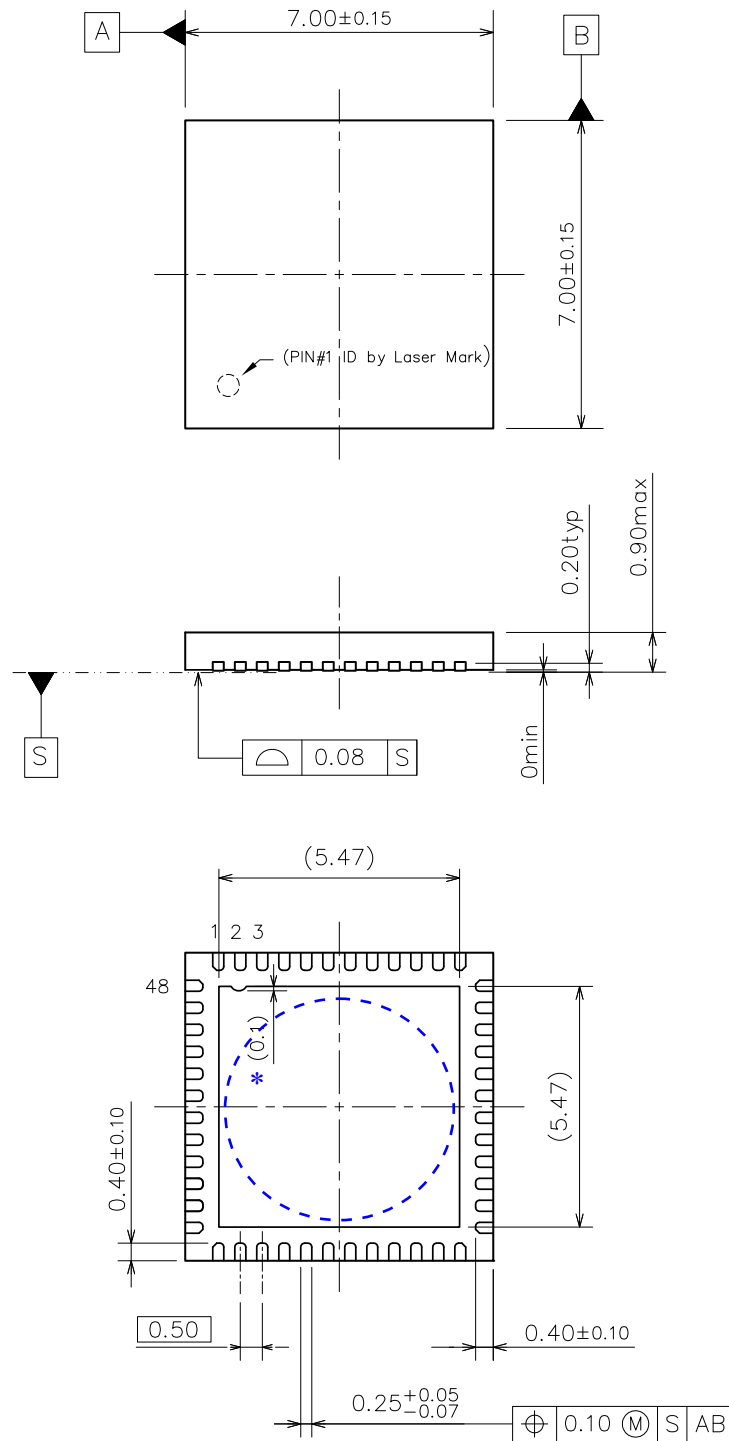
ψjt: Junction-to-top of package thermal characterization parameter



Power Dissipation vs. Ambient Temperature



Measurement Board Pattern



QFN0707-48-P25 Package Dimensions (Unit:mm)

*The tab on the bottom of the package shown by blue circle is a substrate potential (GND). This tab must be connected to the ground plane on the board.

RN5T568 OTP CODE LIST (Mass Product Codes)

Product Name		RN5T568C	RN5T568S	RN5T568AD	RN5T568AV	RN5T568AZ	RN5T568BM ⁽¹⁾	RN5T568BN ⁽¹⁾	RN5T568BY
Mode		Parts	Normal	Normal	Normal	Normal	Normal	Normal	Normal
Slot Width			2ms	2ms	2ms	2ms	2ms	2ms	2ms
SLOT Number	DCDC1	No Slot	1	1	1	1	0	1	0
	DCDC2		1	3	14	14	4	3	7
	DCDC3		3	2	14	14	6	1	4
	DCDC4		5	Slot_Off	7	7	2	2	8
	LDO1		7	7	0	14	Slot_Off	3	Slot_Off
	LDO2		Slot_Off	8	8	7	Slot_Off	2	Slot_Off
	LDO3		9	9	Slot_Off	14	Slot_Off	4	7
	LDO4		9	11	14	14	Slot_Off	4	7
	LDO5		9	12	14	14	Slot_Off	4	7
	LDORTC1		Always On	Always On	Slot_Off	Always On	Always On	Always On	Always On
	LDORTC2	Disable	Disable	Disable	Disable	Disable	Disable	Disable	Disable
Output Voltage [V]	DCDC1	1.10	1.40	1.45	1.00	1.00	1.10	1.40	1.00
	DCDC2	1.10	1.40	1.35	3.30	3.30	3.30	1.20	2.50
	DCDC3	1.20	3.30	1.40	1.50	1.50	3.30	1.40	1.80
	DCDC4	1.80	1.20	3.30	1.80	1.80	2.50	3.30	3.30
	LDO1	1.80	3.30	1.80	1.80	1.80	3.30	1.80	3.30
	LDO2	3.30	3.30	3.30	3.30	3.30	2.50	3.30	1.80
	LDO3	2.50	1.80	1.50	1.50	3.30	1.80	2.50	1.80
	LDO4	3.30	2.50	2.50	1.25	1.25	1.10	1.50	1.00
	LDO5	3.30	1.50	2.85	1.80	1.80	1.20	3.00	1.20
	LDORTC1	3.30	3.00	3.00	1.80	3.30	3.30	3.30	3.30
LDORTC2	-	-	-	-	-	-	-	-	
GPIO	GPIO0	-	ON_EXTIN	ON_EXTIN	ON_EXTIN	ON_EXTIN	ON_EXTIN	ON_EXTIN	ON_EXTIN
	GPIO1	-	LED	PSHOLD	LED	LED	LED	LED	LED
	GPIO2	-	PSHOLD	ONOB	GPIO	PSO2(Slot1)	PSO2(Slot1)	PSO2(Slot1)	PSO2(Slot1)
	GPIO3	-	HRESET	PSO3(Slot5)	PSHOLD	PSHOLD	PSHOLD	PSHOLD	PSHOLD

⁽¹⁾ Ready for Production

RN5T568C OTP Settings

Parts mode, DCDC1-4 F_{osc} = 1.80MHz

	OTP Function	Setting
System OTP Setting	I2CSLV	2: 32h
	SLEEPPOL	0: Non-Inversion
	PWRONPOL	0: Non-Inversion
	VINDAC	4: 3.0V
	VINHYSSEL	1: 200mV
	VINRRESET	1: ERSTB
	IODAC	1: 1.60V
	PREVINDAC	6 :3.5(↑)/3.4(L)
	OVTEMP	0: 105/85°C

Explanation:	
The settings of I2C slave address (A3-A1).	
SLEEP pin polarity selection (Default High active)	
PWRON pin polarity selection (Default High active)	
System Voltage Detection for Power-ON permit.	
Hysteresis Voltage for VINDET (System Voltage Detection for Power-ON permit)	
VINDAC/VINHYS Reset selection	
VDDIO Voltage Detection (Power OFF factor)	
System Voltage Pre-Detection (Interrupt output)	
initial temperature of Overheat Detection(Interrupt output)	

	OTP Function	Setting
GPIO OTP setting	GPIO3POL	0: Non-Inversion
	GPIO2POL	0: Non-Inversion
	GPIO1POL	0: Non-Inversion
	GPIO0POL	0: Non-Inversion

Explanation:	
GPIO3 input's polarity (Default High Active)	
GPIO2 input's polarity (Default High Active)	
GPIO1 input's polarity (Default High Active)	
GPIO0 input's polarity (Default High Active)	

	OTP Function	Setting
Sequence, DCDC, LDO OTP settings	LDORTC1AWON	1: AlwaysOn
	LDORTC1ONSLOT	0: Enable
	LDO5ONSLOT	0: Enable
	LDO4ONSLOT	0: Enable
	LDO3ONSLOT	0: Enable
	LDO2ONSLOT	0: Enable
	LDO1ONSLOT	0: Enable
	DC4ONSLOT	0: Enable
	DC3ONSLOT	0: Enable
	DC2ONSLOT	0: Enable
	DC1ONSLOT	0: Enable

OTP Function	Setting
LRTC DAC	3.30V

Explanation	
LDORTC1 Always-ON or I2C Control / Initial VOUT	

OTP Function	Setting
L5DAC	3.30V
L4DAC	3.30V
L3DAC	2.50V
L2DAC	3.30V
L1DAC	1.80V

Explanation	
The setting of initial ON/OFF for RTCLDO1 (Select "0:Enable" for AlwaysON)	
The setting of LDO5 Pin Control / Initial VOUT	
The setting of LDO4 Pin Control / Initial VOUT	
The setting of LDO3 Pin Control / Initial VOUT	
The setting of LDO2 Pin Control / Initial VOUT	
The setting of LDO1Pin Control / Initial VOUT	

OTP Function	Setting
DD4DAC	1.80V
DD3DAC	1.20V
DD2DAC	1.10V
DD1DAC	1.10V

OTP Function	Setting	Explanation
DD4LIM	1: 2.3A	Pin control /VOUT /Limit Current
DD3LIM	1: 2.3A	Pin control /VOUT /Limit Current
DD2LIM	1: 3.2A	Pin control /VOUT /Limit Current
DD1LIM	1: 3.2A	Pin control /VOUT /Limit Current

RN5T568S OTP Settings

Normal mode, DCDC1-4 F_{osc} = 1.80MHz

	OTP Function	Setting
System OTP Setting	I2CSLV	6: 36h
	ON_PRESS	2: 1sec
	SLEEPPOL	0: Non-Inversion
	PWRONPOL	1: Inversion
	VINDAC	2: 2.8V
	VINHYSSEL	0: 500mV
	VNRRESET	1: ERSTB
	IODAC	0: 1.40V
	PREVINDAC	5: 3.4(1)/3.3(L)
	OVTEMP	2: 125/105°C

Explanation:
The settings of I2C slave address (A3-A1).
The setting of PWRON pin power-on long press timer.
SLEEP pin polarity selection (Default High active)
PWRON pin polarity selection (Default High active)
System Voltage Detection for Power-ON permit.
Hysteresis Voltage for VINDET (System Voltage Detection for Power-ON permit)
VINDAC/VINHYS Reset selection
VDDIO Voltage Detection (Power OFF factor)
System Voltage Pre-Detection (Interrupt output)
Initial temperature of Overheat Detection(Interrupt output)

	OTP Function	Setting
GPIO OTP setting	GP1PWR	1: VSYS
	GP0PWR	1: VSYS
	GPIO3POL	1: Inversion
	GPIO2POL	0: Non-Inversion
	GPIO1POL	0: Non-Inversion
	GPIO0POL	0: Non-Inversion
	GP3TYPE	0: NMOS input
	GP2TYPE	0: NMOS input
	GP1TYPE	1: CMOS input
	GP0TYPE	0: NMOS input
	GPO3TYPE	1: CMOS output
	GPO2TYPE	1: CMOS output
	GPO1TYPE	0: NOD output
	GPO0TYPE	1: CMOS output
	GP3FUNC	12: HRESET
	GP2FUNC	03: PSHOLD
	GP1FUNC	0C: LED
	GP0FUNC	08: ON_EXTIN
	GP1LEDMODE	0: PWRON
	GP0LEDMODE	0: PWRON
GP3CLKEN	0: Disable	
GP2CLKEN	0: Disable	
GP1CLKEN	0: Disable	
GP0CLKEN	0: Disable	

Explanation:
GPIO1's Power Supply's selection (Related to GPIO function)
GPIO0's Power Supply's selection (Related to GPIO function)
GPIO3 input's polarity (Default High Active)
GPIO2 input's polarity (Default High Active)
GPIO1 input's polarity (Default High Active)
GPIO0 input's polarity (Default High Active)
GPIO3 input type selection
GPIO2 input type selection
GPIO1 input type selection
GPIO0 input type selection
GPIO3 output type selection
GPIO2 output type selection
GPIO1 output type selection
GPIO0 output type selection
GPIO3 function Selection (Please refer to GPIO APP NOTE)
GPIO2 function Selection (Please refer to GPIO APP NOTE)
GPIO1 function Selection (Please refer to GPIO APP NOTE)
GPIO0 function Selection (Please refer to GPIO APP NOTE)
LED function Selection (Power-on indication or Register control) (GPIO function need)
LED function Selection (Power-on indication or Register control) (GPIO function need)
Select Initial of the clock output control bit from GPIO3 (C32KOUT3) pin
Select Initial of the clock output control bit from GPIO2 (C32KOUT2) pin
Select Initial of the clock output control bit from GPIO1 (C32KOUT1) pin
Select Initial of the clock output control bit from GPIO0 (C32KOUT0) pin

	OTP Function	Setting
Sequence, DCDC, LDO OTP settings	LDORTC2AWON	0: Register
	LDORTC1AWON	1: AlwaysOn
	SLOTWID	1: 2.0ms
	LDORTC1ONSLOT	0: Slot_0
	LDO5ONSLOT	9: Slot_9
	LDO4ONSLOT	9: Slot_9
	LDO3ONSLOT	9: Slot_9
	LDO2ONSLOT	F: Slot_OFF
	LDO1ONSLOT	7: Slot_7
	DC4ONSLOT	5: Slot_5
	DC3ONSLOT	3: Slot_3
	DC2ONSLOT	1: Slot_1
	DC1ONSLOT	1: Slot_1
	RESETHOLD	0: 0ms
	RESETSLOT	F: Slot_15
	PSO3ONSLOT	F: Slot_OFF
	PSO2ONSLOT	F: Slot_OFF
	PSO1ONSLOT	F: Slot_OFF
	PSO0ONSLOT	F: Slot_OFF

OTP Function	Setting	Explanation
LRTC2DAC	0.90V	LDORTC2 Always-ON or I2C Control / Initial VOUT (GPIO2 function need)
LRTC1DAC	3.00V	LDORTC1 Always-ON or I2C Control / Initial VOUT
Sequence Slot Timing Setting		
L5DAC	1.50V	The setting of RTCLDO1 Power-ON sequence slot time (Select "0:Slot_0" for AlwaysON)
L4DAC	2.50V	The setting of LDO5 Power-ON sequence slot time / Initial VOUT
L3DAC	1.80V	The setting of LDO4 Power-ON sequence slot time / Initial VOUT
L2DAC	3.30V	The setting of LDO3 Power-ON sequence slot time / Initial VOUT
L1DAC	3.30V	The setting of LDO2 Power-ON sequence slot time / Initial VOUT
DD4DAC	1.20V	DD4LIM 2: 2.8A Pon Seq. slot /VOUT /Limit Current
DD3DAC	3.30V	DD3LIM 3: 3.2A Pon Seq. slot /VOUT /Limit Current
DD2DAC	1.40V	DD2LIM 3: 4.0A Pon Seq. slot /VOUT /Limit Current
DD1DAC	1.40V	DD1LIM 3: 4.0A Pon Seq. slot /VOUT /Limit Current
RESETHOLD	0: 0ms	Reset output signal hold (Extend) time after Slot_15 (RESETO signal slot)
RESETSLOT	F: Slot_15	Reset output signal sequence slot
PSO3ONSLOT	F: Slot_OFF	Power-ON output signal sequence slot (GPIO PSO function need)
PSO2ONSLOT	F: Slot_OFF	Power-ON output signal sequence slot (GPIO PSO function need)
PSO1ONSLOT	F: Slot_OFF	Power-ON output signal sequence slot (GPIO PSO function need)
PSO0ONSLOT	F: Slot_OFF	Power-ON output signal sequence slot (GPIO PSO function need)

RN5T568AD OTP Settings

Normal mode, DCDC1-4 F_{osc} = 1.80MHz

	OTP Function	Setting	Explanation:
System OTP Setting	I2CSLV	2: 32h	The settings of I2C slave address (A3-A1).
	ON_PRESS	2: 1sec	The setting of PWRON pin power-on long press timer.
	SLEEPPOL	0: Non-Inversion	SLEEP pin polarity selection (Default High active)
	PWRONPOL	0: Non-Inversion	PWRON pin polarity selection (Default High active)
	VINDAC	4: 3.0V	System Voltage Detection for Power-ON permit.
	VINHYSSEL	1: 200mV	Hysteresis Voltage for VINDET (System Voltage Detection for Power-ON permit)
	VINRESET	1: ERSTB	VINDAC/VINHYS Reset selection
	IODAC	1: 1.60V	VDDIO Voltage Detection (Power OFF factor)
	PREVINDAC	6 :3.5(↑)/3.4(↓)	System Voltage Pre-Detection (Interrupt output)
	OVTEMP	2: 125/105°C	Initial temperature of Overheat Detection(Interrupt output)

	OTP Function	Setting	Explanation:
GPIO OTP setting	GP1PWR	1: VSYS	GPIO1's Power Supply's selection (Related to GPIO function)
	GP0PWR	1: VSYS	GPIO0's Power Supply's selection (Related to GPIO function)
	GPIO3POL	0: Non-Inversion	GPIO3 input's polarity (Default High Active)
	GPIO2POL	0: Non-Inversion	GPIO2 input's polarity (Default High Active)
	GPIO1POL	0: Non-Inversion	GPIO1 input's polarity (Default High Active)
	GPIO0POL	0: Non-Inversion	GPIO0 input's polarity (Default High Active)
	GP3TYPE	1: CMOS input	GPIO3 input type selection
	GP2TYPE	1: CMOS input	GPIO2 input type selection
	GP1TYPE	1: CMOS input	GPIO1 input type selection
	GP0TYPE	1: CMOS input	GPIO0 input type selection
	GPO3TYPE	1: CMOS output	GPIO3 output type selection
	GPO2TYPE	0: NOD output	GPIO2 output type selection
	GPO1TYPE	1: CMOS output	GPIO1 output type selection
	GPO0TYPE	1: CMOS output	GPIO0 output type selection
	GP3FUNC	01: PSO	GPIO3 function Selection (Please refer to GPIO APP NOTE)
	GP2FUNC	09: ONOB	GPIO2 function Selection (Please refer to GPIO APP NOTE)
	GP1FUNC	03: PSHOLD	GPIO1 function Selection (Please refer to GPIO APP NOTE)
	GP0FUNC	08: ON_EXTIN	GPIO0 function Selection (Please refer to GPIO APP NOTE)
	GP1LEDMODE	1: Register	LED function Selection (Power-on indication or Register control) (GPIO function need)
	GP0LEDMODE	0: PWRON	LED function Selection (Power-on indication or Register control) (GPIO function need)
	GP3CLKEN	0: Disable	Select Initial of the clock output control bit from GPIO3 (C32KOUT3) pin
	GP2CLKEN	0: Disable	Select Initial of the clock output control bit from GPIO2 (C32KOUT2) pin
	GP1CLKEN	0: Disable	Select Initial of the clock output control bit from GPIO1 (C32KOUT1) pin
	GP0CLKEN	0: Disable	Select Initial of the clock output control bit from GPIO0 (C32KOUT0) pin

	OTP Function	Setting	Explanation
Sequence, DCDC, LDO OTP settings	LDORTC2AWON	0: Register	LDORTC2 Always-ON or I2C Control / Initial VOUT (GPIO2 function need)
	LDORTC1AWON	0: Control	LDORTC1 Always-ON or I2C Control / Initial VOUT
	SLOTWD	1: 2.0ms	Sequence Slot Timing Setting
	LDORTC1ONSLOT	F: Slot_OFF	The setting of RTCLDO1 Power-ON sequence slot time (Select "0:Slot_0" for AwaysON)
	LDO5ONSLOT	C: Slot_12	The setting of LDO5 Power-ON sequence slot time / Initial VOUT
	LDO4ONSLOT	B: Slot_11	The setting of LDO4 Power-ON sequence slot time / Initial VOUT
	LDO3ONSLOT	9: Slot_9	The setting of LDO3 Power-ON sequence slot time / Initial VOUT
	LDO2ONSLOT	8: Slot_8	The setting of LDO2 Power-ON sequence slot time / Initial VOUT
	LDO1ONSLOT	7: Slot_7	The setting of LDO1 Power-ON sequence slot time / Initial VOUT
	DC4ONSLOT	F: Slot_OFF	
	DC3ONSLOT	2: Slot_2	
	DC2ONSLOT	3: Slot_3	
	DC1ONSLOT	1: Slot_1	
	RESETHOLD	0: 0ms	Reset output signal hold (Extend) time after Slot_15 (RESETO signal slot)
	RESETSLOT	E: Slot_14	Reset output signal sequence slot
	PSO3ONSLOT	5: Slot_5	Power-ON output signal sequence slot (GPIO PSO function need)
	PSO2ONSLOT	F: Slot_OFF	Power-ON output signal sequence slot (GPIO PSO function need)
	PSO1ONSLOT	F: Slot_OFF	Power-ON output signal sequence slot (GPIO PSO function need)
	PSO0ONSLOT	F: Slot_OFF	Power-ON output signal sequence slot (GPIO PSO function need)

OTP Function	Setting	Explanation
LRTC2DAC	0.90V	
LRTC1DAC	3.00V	
L5DAC	2.85V	
L4DAC	2.50V	
L3DAC	1.50V	
L2DAC	3.30V	
L1DAC	1.80V	
DD4DAC	3.30V	
DD3DAC	1.40V	
DD2DAC	1.35V	
DD1DAC	1.45V	
DD4LIM	1: 2.3A	Pon Seq. slot /VOUT /Limit Current
DD3LIM	1: 2.3A	Pon Seq. slot /VOUT /Limit Current
DD2LIM	3: 4.0A	Pon Seq. slot /VOUT /Limit Current
DD1LIM	1: 3.2A	Pon Seq. slot /VOUT /Limit Current

RN5T568AV OTP Settings

Normal mode, DCDC1-4 F_{osc} = 1.50MHz

	OTP Function	Setting
System OTP Setting	I2CSLV	2: 32h
	ON_PRESS	2: 1sec
	SLEEPOL	0: Non-Inversion
	PWRONPOL	0: Non-Inversion
	VINDAC	4: 3.0V
	VINHYSSEL	1: 200mV
	VINRRESET	1: ERSTB
	IODAC	1: 1.60V
	PREVINDAC	6 :3.5(1)/3.4(,)
	OVTMP	1: 115/95°C

Explanation:
The settings of I2C slave address (A3-A1).
The setting of PWRON pin power-on long press timer.
SLEEP pin polarity selection (Default High active)
PWRON pin polarity selection (Default High active)
System Voltage Detection for Power-ON permit.
Hysteresis Voltage for VINDET (System Voltage Detection for Power-ON permit)
VINDAC/VINHYS Reset selection
VDDIO Voltage Detection (Power OFF factor)
System Voltage Pre-Detection (Interrupt output)
initial temperature of Overheat Detection(Interrupt output)

	OTP Function	Setting
GPIO OTP setting	GP1PWR	1: VSYS
	GP0PWR	1: VSYS
	GPIO3POL	0: Non-Inversion
	GPIO2POL	0: Non-Inversion
	GPIO1POL	0: Non-Inversion
	GPIO0POL	0: Non-Inversion
	GP13TYPE	0: NMOS input
	GP12TYPE	1: CMOS input
	GP11TYPE	1: CMOS input
	GP10TYPE	0: NMOS input
	GP03TYPE	1: CMOS output
	GP02TYPE	1: CMOS output
	GP01TYPE	1: CMOS output
	GP00TYPE	1: CMOS output
	GP3FUNC	03: PSHOLD
	GP2FUNC	00: GPIO
	GP1FUNC	0C: LED
	GP0FUNC	08: ON_EXTIN
	GP1LEDMODE	0: PWRON
	GP0LEDMODE	0: PWRON
	GP3CLKEN	0: Disable
	GP2CLKEN	0: Disable
	GP1CLKEN	0: Disable
	GP0CLKEN	0: Disable

Explanation:
GPIO1's Power Supply's selection (Related to GPIO function)
GPIO0's Power Supply's selection (Related to GPIO function)
GPIO3 input's polarity (Default High Active)
GPIO2 input's polarity (Default High Active)
GPIO1 input's polarity (Default High Active)
GPIO0 input's polarity (Default High Active)
GPIO3 input type selection
GPIO2 input type selection
GPIO1 input type selection
GPIO0 input type selection
GPIO3 output type selection
GPIO2 output type selection
GPIO1 output type selection
GPIO0 output type selection
GPIO3 function Selection (Please refer to GPIO APP NOTE)
GPIO2 function Selection (Please refer to GPIO APP NOTE)
GPIO1 function Selection (Please refer to GPIO APP NOTE)
GPIO0 function Selection (Please refer to GPIO APP NOTE)
LED function Selection (Power-on indication or Register control) (GPIO function need)
LED function Selection (Power-on indication or Register control) (GPIO function need)
Select Initial of the clock output control bit from GPIO3 (C32KOUT3) pin
Select Initial of the clock output control bit from GPIO2 (C32KOUT2) pin
Select Initial of the clock output control bit from GPIO1 (C32KOUT1) pin
Select Initial of the clock output control bit from GPIO0 (C32KOUT0) pin

	OTP Function	Setting
Sequence, DCDC, LDO OTP settings	LDORTC2AWON	0: Register
	LDORTC1AWON	1: AlwaysOn
	SLOTWID	1: 2.0ms
	LDORTC1ONSLOT	0: Slot_0
	LDO5ONSLOT	E: Slot_14
	LDO4ONSLOT	E: Slot_14
	LDO3ONSLOT	F: Slot_OFF
	LDO2ONSLOT	8: Slot_8
	LDO1ONSLOT	0: Slot_0
	DC4ONSLOT	7: Slot_7
	DC3ONSLOT	E: Slot_14
	DC2ONSLOT	E: Slot_14
	DC1ONSLOT	1: Slot_1
	RESETHOLD	3: 128ms
	RESETSLOT	F: Slot_15
	PSO3ONSLOT	F: Slot_OFF
	PSO2ONSLOT	F: Slot_OFF
	PSO1ONSLOT	F: Slot_OFF
	PSO0ONSLOT	F: Slot_OFF

OTP Function	Setting
LRTC2DAC	0.90V
LRTC1DAC	1.80V
L5DAC	1.80V
L4DAC	1.25V
L3DAC	1.50V
L2DAC	3.30V
L1DAC	1.80V
DD4DAC	1.80V
DD3DAC	1.50V
DD2DAC	3.30V
DD1DAC	1.00V

Explanation
LDORTC2 Always-ON or I2C Control / Initial VOUT (GPIO2 function need)
LDORTC1 Always-ON or I2C Control / Initial VOUT
Sequence Slot Timing Setting
The setting of RTCLDO1 Power-ON sequence slot time (Select "0:Slot_0" for AlwaysON)
The setting of LDO5 Power-ON sequence slot time / Initial VOUT
The setting of LDO4 Power-ON sequence slot time / Initial VOUT
The setting of LDO3 Power-ON sequence slot time / Initial VOUT
The setting of LDO2 Power-ON sequence slot time / Initial VOUT
The setting of LDO1 Power-ON sequence slot time / Initial VOUT
DD4LIM 2: 2.8A Pon Seq. slot /VOUT /Limit Current
DD3LIM 2: 2.8A Pon Seq. slot /VOUT /Limit Current
DD2LIM 2: 3.7A Pon Seq. slot /VOUT /Limit Current
DD1LIM 2: 3.7A Pon Seq. slot /VOUT /Limit Current
Reset output signal hold (Extend) time after Slot_15 (RESETO signal slot)
Reset output signal sequence slot
Power-ON output signal sequence slot (GPIO PSO function need)
Power-ON output signal sequence slot (GPIO PSO function need)
Power-ON output signal sequence slot (GPIO PSO function need)
Power-ON output signal sequence slot (GPIO PSO function need)

RN5T568AZ OTP Settings

Normal mode, DCDC1-4 F_{osc} = 1.50MHz

OTP Function	Setting
I2CSLV	2: 32h
ON_PRESS	2: 1sec
SLEEPOL	0: Non-Inversion
PWRONPOL	0: Non-Inversion
VINDAC	4: 3.0V
VINHYSSEL	1: 200mV
VINRRESET	1: ERSTB
IODAC	1: 1.60V
PREVINDAC	6 :3.5(1)/3.4(,)
OVTMP	1: 115/95°C

Explanation:
The settings of I2C slave address (A3-A1).
The setting of PWRON pin power-on long press timer.
SLEEP pin polarity selection (Default High active)
PWRON pin polarity selection (Default High active)
System Voltage Detection for Power-ON permit.
Hysteresis Voltage for VINDET (System Voltage Detection for Power-ON permit)
VINDAC/VINHYS Reset selection
VDDIO Voltage Detection (Power OFF factor)
System Voltage Pre-Detection (Interrupt output)
initial temperature of Overheat Detection(Interrupt output)

OTP Function	Setting
GP1PWR	1: VSYS
GP0PWR	1: VSYS
GPIO3POL	0: Non-Inversion
GPIO2POL	0: Non-Inversion
GPIO1POL	0: Non-Inversion
GPIO0POL	0: Non-Inversion
GP13TYPE	0: NMOS input
GP12TYPE	1: CMOS input
GP11TYPE	1: CMOS input
GP10TYPE	0: NMOS input
GP03TYPE	1: CMOS output
GP02TYPE	1: CMOS output
GP01TYPE	1: CMOS output
GP00TYPE	1: CMOS output
GP3FUNC	03: PSHOLD
GP2FUNC	01: PSO
GP1FUNC	0C: LED
GP0FUNC	08: ON_EXTIN
GP1LEDMODE	0: PWRON
GP0LEDMODE	0: PWRON
GP3CLKEN	0: Disable
GP2CLKEN	0: Disable
GP1CLKEN	0: Disable
GP0CLKEN	0: Disable

Explanation:
GPIO1's Power Supply's selection (Related to GPIO function)
GPIO0's Power Supply's selection (Related to GPIO function)
GPIO3 input's polarity (Default High Active)
GPIO2 input's polarity (Default High Active)
GPIO1 input's polarity (Default High Active)
GPIO0 input's polarity (Default High Active)
GPIO3 input type selection
GPIO2 input type selection
GPIO1 input type selection
GPIO0 input type selection
GPIO3 output type selection
GPIO2 output type selection
GPIO1 output type selection
GPIO0 output type selection
GPIO3 function Selection (Please refer to GPIO APP NOTE)
GPIO2 function Selection (Please refer to GPIO APP NOTE)
GPIO1 function Selection (Please refer to GPIO APP NOTE)
GPIO0 function Selection (Please refer to GPIO APP NOTE)
LED function Selection (Power-on indication or Register control) (GPIO function need)
LED function Selection (Power-on indication or Register control) (GPIO function need)
Select Initial of the clock output control bit from GPIO3 (C32KOUT3) pin
Select Initial of the clock output control bit from GPIO2 (C32KOUT2) pin
Select Initial of the clock output control bit from GPIO1 (C32KOUT1) pin
Select Initial of the clock output control bit from GPIO0 (C32KOUT0) pin

OTP Function	Setting
LDORTC2AWON	0: Register
LDORTC1AWON	1: AlwaysOn
SLOTWID	1: 2.0ms
LDORTC1ONSLOT	0: Slot_0
LDO5ONSLOT	E: Slot_14
LDO4ONSLOT	E: Slot_14
LDO3ONSLOT	E: Slot_14
LDO2ONSLOT	7: Slot_7
LDO1ONSLOT	E: Slot_14
DC4ONSLOT	7: Slot_7
DC3ONSLOT	E: Slot_14
DC2ONSLOT	E: Slot_14
DC1ONSLOT	1: Slot_1
RESETHOLD	3: 128ms
RESETSLOT	F: Slot_15
PSO3ONSLOT	F: Slot_OFF
PSO2ONSLOT	1: Slot_1
PSO1ONSLOT	F: Slot_OFF
PSO0ONSLOT	F: Slot_OFF

OTP Function	Setting	Explanation
LRTC2DAC	0.90V	LDORTC2 Always-ON or I2C Control / Initial VOUT (GPIO2 function need)
LRTC1DAC	3.30V	LDORTC1 Always-ON or I2C Control / Initial VOUT
Sequence Slot Timing Setting		
L5DAC	1.80V	The setting of RTCLDO1 Power-ON sequence slot time (Select "0:Slot_0" for AlwaysON)
L4DAC	1.25V	The setting of LDO5 Power-ON sequence slot time / Initial VOUT
L3DAC	3.30V	The setting of LDO4 Power-ON sequence slot time / Initial VOUT
L2DAC	3.30V	The setting of LDO3 Power-ON sequence slot time / Initial VOUT
L1DAC	1.80V	The setting of LDO2 Power-ON sequence slot time / Initial VOUT
DD4DAC	1.80V	DD4LIM 2: 2.8A Pon Seq. slot /VOUT /Limit Current
DD3DAC	1.50V	DD3LIM 2: 2.8A Pon Seq. slot /VOUT /Limit Current
DD2DAC	3.30V	DD2LIM 2: 3.7A Pon Seq. slot /VOUT /Limit Current
DD1DAC	1.00V	DD1LIM 2: 3.7A Pon Seq. slot /VOUT /Limit Current
Reset output signal hold (Extend) time after Slot 15 (RESETO signal slot)		
Reset output signal sequence slot		
Power-ON output signal sequence slot (GPIO PSO function need)		
Power-ON output signal sequence slot (GPIO PSO function need)		
Power-ON output signal sequence slot (GPIO PSO function need)		
Power-ON output signal sequence slot (GPIO PSO function need)		

RN5T568BM OTP Settings

Normal mode, DCDC1-4 F_{osc} = 1.50MHz

System OTP Setting	OTP Function	Setting	Explanation:
System OTP Setting	I2CSLV	2: 32h	The settings of I2C slave address (A3-A1).
	ON_PRESS	2: 1sec	The setting of PWRON pin power-on long press timer.
	SLEPPOL	0: Non-Inversion	SLEEP pin polarity selection (Default High active)
	PWRONPOL	0: Non-Inversion	PWRON pin polarity selection (Default High active)
	VINDAC	4: 3.0V	System Voltage Detection for Power-ON permit.
	VINHYSSEL	1: 200mV	Hysteresis Voltage for VINDET (System Voltage Detection for Power-ON permit)
	VINRESET	1: ERSTB	VINDAC/VINHYS Reset selection
	IODAC	1: 1.60V	VDDIO Voltage Detection (Power OFF factor)
	PREVINDAC	6 :3.5(↑)/3.4(↓)	System Voltage Pre-Detection (Interrupt output)
	OVTEMP	1: 115/95°C	initial temperature of Overheat Detection(Interrupt output)
GPIO OTP setting	GP1PWR	1: VSYS	GPIO1's Power Supply's selection (Related to GPIO function)
	GP0PWR	1: VSYS	GPIO0's Power Supply's selection (Related to GPIO function)
	GPIO3POL	0: Non-Inversion	GPIO3 input's polarity (Default High Active)
	GPIO2POL	0: Non-Inversion	GPIO2 input's polarity (Default High Active)
	GPIO1POL	0: Non-Inversion	GPIO1 input's polarity (Default High Active)
	GPIO0POL	0: Non-Inversion	GPIO0 input's polarity (Default High Active)
	GP13TYPE	0: NMOS input	GPIO3 input type selection
	GP12TYPE	1: CMOS input	GPIO2 input type selection
	GP11TYPE	1: CMOS input	GPIO1 input type selection
	GP10TYPE	0: NMOS input	GPIO0 input type selection
	GP03TYPE	1: CMOS output	GPIO3 output type selection
	GP02TYPE	1: CMOS output	GPIO2 output type selection
	GP01TYPE	1: CMOS output	GPIO1 output type selection
	GP00TYPE	1: CMOS output	GPIO0 output type selection
	GP3FUNC	03: PSHOLD	GPIO3 function Selection (Please refer to GPIO APP NOTE)
	GP2FUNC	01: PSO	GPIO2 function Selection (Please refer to GPIO APP NOTE)
	GP1FUNC	0C: LED	GPIO1 function Selection (Please refer to GPIO APP NOTE)
	GP0FUNC	08: ON_EXTIN	GPIO0 function Selection (Please refer to GPIO APP NOTE)
	GP1LEDMODE	0: PWRON	LED function Selection (Power-on indication or Register control) (GPIO function need)
	GP0LEDMODE	0: PWRON	LED function Selection (Power-on indication or Register control) (GPIO function need)
Sequence, DCDC, LDO OTP settings	GP3CLKEN	0: Disable	Select Initial of the clock output control bit from GPIO3 (C32KOUT3) pin
	GP2CLKEN	0: Disable	Select Initial of the clock output control bit from GPIO2 (C32KOUT2) pin
	GP1CLKEN	0: Disable	Select Initial of the clock output control bit from GPIO1 (C32KOUT1) pin
	GP0CLKEN	0: Disable	Select Initial of the clock output control bit from GPIO0 (C32KOUT0) pin
	LDORTC2AWON	0: Register	LDORTC2 Always-ON or I2C Control / Initial VOUT (GPIO2 function need)
	LDORTC1AWON	1: AlwaysOn	LDORTC1 Always-ON or I2C Control / Initial VOUT
	SLOTWID	1: 2.0ms	Sequence Slot Timing Setting
	LDORTC1ONSLLOT	0: Slot_0	The setting of RTCLDO1 Power-ON sequence slot time (Select "0:Slot_0" for AlwaysON)
	LDO5ONSLLOT	F: Slot_OFF	The setting of LDO5 Power-ON sequence slot time / Initial VOUT
	LDO4ONSLLOT	F: Slot_OFF	The setting of LDO4 Power-ON sequence slot time / Initial VOUT
LDO3ONSLLOT	F: Slot_OFF	The setting of LDO3 Power-ON sequence slot time / Initial VOUT	
LDO2ONSLLOT	F: Slot_OFF	The setting of LDO2 Power-ON sequence slot time / Initial VOUT	
LDO1ONSLLOT	F: Slot_OFF	The setting of LDO1 Power-ON sequence slot time / Initial VOUT	
DC4ONSLLOT	2: Slot_2		
DC3ONSLLOT	6: Slot_6		
DC2ONSLLOT	4: Slot_4		
DC1ONSLLOT	0: Slot_0		
RESETHOLD	3: 128ms	Reset output signal hold (Extend) time after Slot_15 (RESETO signal slot)	
RESETSLOT	F: Slot_15	Reset output signal sequence slot	
PSO3ONSLLOT	F: Slot_OFF	Power-ON output signal sequence slot (GPIO PSO function need)	
PSO2ONSLLOT	1: Slot_1	Power-ON output signal sequence slot (GPIO PSO function need)	
PSO1ONSLLOT	F: Slot_OFF	Power-ON output signal sequence slot (GPIO PSO function need)	
PSO0ONSLLOT	F: Slot_OFF	Power-ON output signal sequence slot (GPIO PSO function need)	
L5DAC	1.20V		
L4DAC	1.10V		
L3DAC	1.80V		
L2DAC	2.50V		
L1DAC	3.30V		
DD4DAC	2.50V		
DD3DAC	3.30V		
DD2DAC	3.30V		
DD1DAC	1.10V		
DD4LIM	2: 2.8A	Pon Seq. slot /VOUT /Limit Current	
DD3LIM	2: 2.8A	Pon Seq. slot /VOUT /Limit Current	
DD2LIM	2: 3.7A	Pon Seq. slot /VOUT /Limit Current	
DD1LIM	2: 3.7A	Pon Seq. slot /VOUT /Limit Current	

RN5T568BN OTP Settings

Normal mode, DCDC1-4 F_{osc} = 1.50MHz

OTP Function	Setting
I2CSLV	2: 32h
ON_PRESS	2: 1sec
SLEEPPOL	0: Non-Inversion
PWRONPOL	0: Non-Inversion
VINDAC	4: 3.0V
VINHYSSEL	1: 200mV
VINRRESET	1: ERSTB
IODAC	1: 1.60V
PREVINDAC	6 :3.5(1)/3.4(l)
OVTEMP	1: 115/95°C

Explanation:
The settings of I2C slave address (A3-A1).
The setting of PWRON pin power-on long press timer.
SLEEP pin polarity selection (Default High active)
PWRON pin polarity selection (Default High active)
System Voltage Detection for Power-ON permit.
Hysteresis Voltage for VINDET (System Voltage Detection for Power-ON permit)
VINDAC/VINHYS Reset selection
VDDIO Voltage Detection (Power OFF factor)
System Voltage Pre-Detection (Interrupt output)
initial temperature of Overheat Detection(Interrupt output)

OTP Function	Setting
GP1PWR	1: VSYS
GP0PWR	1: VSYS
GPIO3POL	0: Non-Inversion
GPIO2POL	0: Non-Inversion
GPIO1POL	0: Non-Inversion
GPIO0POL	0: Non-Inversion
GP3TYPE	0: NMOS input
GP2TYPE	1: CMOS input
GP1TYPE	1: CMOS input
GP0TYPE	0: NMOS input
GPO3TYPE	1: CMOS output
GPO2TYPE	1: CMOS output
GPO1TYPE	0: NOD output
GPO0TYPE	1: CMOS output
GP3FUNC	03: PSHOLD
GP2FUNC	01: PSO
GP1FUNC	0C: LED
GP0FUNC	08: ON_EXTIN
GP1LEDMODE	0: PWRON
GP0LEDMODE	0: PWRON
GP3CLKEN	0: Disable
GP2CLKEN	0: Disable
GP1CLKEN	0: Disable
GP0CLKEN	0: Disable

Explanation:
GPIO1's Power Supply's selection (Related to GPIO function)
GPIO0's Power Supply's selection (Related to GPIO function)
GPIO3 input's polarity (Default High Active)
GPIO2 input's polarity (Default High Active)
GPIO1 input's polarity (Default High Active)
GPIO0 input's polarity (Default High Active)
GPIO3 input type selection
GPIO2 input type selection
GPIO1 input type selection
GPIO0 input type selection
GPIO3 output type selection
GPIO2 output type selection
GPIO1 output type selection
GPIO0 output type selection
GPIO3 function Selection (Please refer to GPIO APP NOTE)
GPIO2 function Selection (Please refer to GPIO APP NOTE)
GPIO1 function Selection (Please refer to GPIO APP NOTE)
GPIO0 function Selection (Please refer to GPIO APP NOTE)
LED function Selection (Power-on indication or Register control) (GPIO function need)
LED function Selection (Power-on indication or Register control) (GPIO function need)
Select Initial of the clock output control bit from GPIO3 (C32KOUT3) pin
Select Initial of the clock output control bit from GPIO2 (C32KOUT2) pin
Select Initial of the clock output control bit from GPIO1 (C32KOUT1) pin
Select Initial of the clock output control bit from GPIO0 (C32KOUT0) pin

OTP Function	Setting
LDORTC2AWON	0: Register
LDORTC1AWON	1: AlwaysOn
SLOTWID	1: 2.0ms
LDORTC1ONSL0T	0: Slot_0
LDO5ONSL0T	4: Slot_4
LDO4ONSL0T	4: Slot_4
LDO3ONSL0T	4: Slot_4
LDO2ONSL0T	2: Slot_2
LDO1ONSL0T	3: Slot_3
DC4ONSL0T	2: Slot_2
DC3ONSL0T	1: Slot_1
DC2ONSL0T	3: Slot_3
DC1ONSL0T	1: Slot_1
RESETHOLD	3: 128ms
RESETSLOT	F: Slot_15
PSO3ONSL0T	F: Slot_OFF
PSO2ONSL0T	1: Slot_1
PSO1ONSL0T	F: Slot_OFF
PSO0ONSL0T	F: Slot_OFF

OTP Function	Setting	Explanation
LRTC2DAC	0.90V	LDORTC2 Always-ON or I2C Control / Initial VOUT (GPIO2 function need)
LRTCDCAC	3.30V	LDORTC1 Always-ON or I2C Control / Initial VOUT
Sequence Slot Timing Setting		
The setting of RTCLDO1 Power-ON sequence slot time (Select "0:Slot_0" for AlwaysON)		
L5DAC	3.00V	The setting of LDO5 Power-ON sequence slot time / Initial VOUT
L4DAC	1.50V	The setting of LDO4 Power-ON sequence slot time / Initial VOUT
L3DAC	2.50V	The setting of LDO3 Power-ON sequence slot time / Initial VOUT
L2DAC	3.30V	The setting of LDO2 Power-ON sequence slot time / Initial VOUT
L1DAC	1.80V	The setting of LDO1 Power-ON sequence slot time / Initial VOUT
DD4DAC	3.30V	DD4LIM 2: 2.8A Pon Seq. slot /VOUT /Limit Current
DD3DAC	1.40V	DD3LIM 2: 2.8A Pon Seq. slot /VOUT /Limit Current
DD2DAC	1.20V	DD2LIM 2: 3.7A Pon Seq. slot /VOUT /Limit Current
DD1DAC	1.40V	DD1LIM 2: 3.7A Pon Seq. slot /VOUT /Limit Current
RESETHOLD	3: 128ms	Reset output signal hold (Extend) time after Slot_15 (RESETO signal slot)
RESETSLOT	F: Slot_15	Reset output signal sequence slot
PSO3ONSL0T	F: Slot_OFF	Power-ON output signal sequence slot (GPIO PSO function need)
PSO2ONSL0T	1: Slot_1	Power-ON output signal sequence slot (GPIO PSO function need)
PSO1ONSL0T	F: Slot_OFF	Power-ON output signal sequence slot (GPIO PSO function need)
PSO0ONSL0T	F: Slot_OFF	Power-ON output signal sequence slot (GPIO PSO function need)

RN5T568BY OTP Settings

Normal mode, DCDC1-4 F_{osc} = 1.50MHz

System OTP Setting	OTP Function	Setting	Explanation: The settings of I2C slave address (A3-A1). The setting of PWRON pin power-on long press timer. SLEEP pin polarity selection (Default High active) PWRON pin polarity selection (Default High active) System Voltage Detection for Power-ON permit. Hysteresis Voltage for VINDET (System Voltage Detection for Power-ON permit) VINDAC/VINHYS Reset selection VDDIO Voltage Detection (Power OFF factor) System Voltage Pre-Detection (Interrupt output) initial temperature of Overheat Detection(Interrupt output)
	I2CSLV	2: 32h	
	ON_PRESS	2: 1sec	
	SLEEPPOL	0: Non-Inversion	
	PWRONPOL	0: Non-Inversion	
	VINDAC	4: 3.0V	
	VINHYSSEL	1: 200mV	
	VINRRESET	1: ERSTB	
	IODAC	1: 1.60V	
	PREVINDAC	6 :3.5 (↑)/3.4 (↓)	
OVTEMP	0: 105/85°C		

GPIO OTP setting	OTP Function	Setting	Explanation: GPIO1's Power Supply's selection (Related to GPIO function) GPIO0's Power Supply's selection (Related to GPIO function) GPIO3 input's polarity (Default High Active) GPIO2 input's polarity (Default High Active) GPIO1 input's polarity (Default High Active) GPIO0 input's polarity (Default High Active) GPIO3 input type selection GPIO2 input type selection GPIO1 input type selection GPIO0 input type selection GPIO3 output type selection GPIO2 output type selection GPIO1 output type selection GPIO0 output type selection GPIO3 function Selection (Please refer to GPIO APP NOTE) GPIO2 function Selection (Please refer to GPIO APP NOTE) GPIO1 function Selection (Please refer to GPIO APP NOTE) GPIO0 function Selection (Please refer to GPIO APP NOTE) LED function Selection (Power-on indication or Register control) (GPIO function need) LED function Selection (Power-on indication or Register control) (GPIO function need) Select Initial of the clock output control bit from GPIO3 (C32KOUT3) pin Select Initial of the clock output control bit from GPIO2 (C32KOUT2) pin Select Initial of the clock output control bit from GPIO1 (C32KOUT1) pin Select Initial of the clock output control bit from GPIO0 (C32KOUT0) pin
	GP1PWR	1: VSYS	
	GP0PWR	1: VSYS	
	GPIO3POL	0: Non-Inversion	
	GPIO2POL	0: Non-Inversion	
	GPIO1POL	0: Non-Inversion	
	GPIO0POL	0: Non-Inversion	
	GP3TYPE	0: NMOS input	
	GP2TYPE	1: CMOS input	
	GP1TYPE	1: CMOS input	
	GP0TYPE	0: NMOS input	
	GP03TYPE	1: CMOS output	
	GP02TYPE	0: NOD output	
	GP01TYPE	0: NOD output	
	GP00TYPE	1: CMOS output	
	GP3FUNC	03: PSHOLD	
	GP2FUNC	01: PSO	
	GP1FUNC	0C: LED	
	GP0FUNC	08: ON_EXTIN	
	GP1LEDMODE	0: PWRON	
GP0LEDMODE	0: PWRON		
GP3CLKEN	0: Disable		
GP2CLKEN	0: Disable		
GP1CLKEN	0: Disable		
GP0CLKEN	0: Disable		

Sequence, DCDC, LDO OTP settings	OTP Function	Setting	OTP Function	Setting	Explanation LDORTC2 Always-ON or I2C Control / Initial VOUT (GPIO2 function need) LDORTC1 Always-ON or I2C Control / Initial VOUT Sequence Slot Timing Setting The setting of RTCLDO1 Power-ON sequence slot time (Select "0:Slot_0" for AlwaysON) The setting of LDO5 Power-ON sequence slot time / Initial VOUT The setting of LDO4 Power-ON sequence slot time / Initial VOUT The setting of LDO3 Power-ON sequence slot time / Initial VOUT The setting of LDO2 Power-ON sequence slot time / Initial VOUT The setting of LDO1 Power-ON sequence slot time / Initial VOUT DD4LIM 1: 2.3A Pon Seq. slot /VOUT /Limit Current DD3LIM 1: 2.3A Pon Seq. slot /VOUT /Limit Current DD2LIM 1: 3.2A Pon Seq. slot /VOUT /Limit Current DD1LIM 1: 3.2A Pon Seq. slot /VOUT /Limit Current Reset output signal hold (Extend) time after Slot_15 (RESETO signal slot) Reset output signal sequence slot Power-ON output signal sequence slot (GPIO PSO function need) Power-ON output signal sequence slot (GPIO PSO function need) Power-ON output signal sequence slot (GPIO PSO function need) Power-ON output signal sequence slot (GPIO PSO function need)
	LDORTC2AWON	0: Register	LRTC2DAC	0.90V	
	LDORTC1AWON	0: Control	LRTCDAC	3.30V	
	SLOTWID	1: 2.0ms	L5DAC	1.20V	
	LDORTC1ONSL0T	F: Slot_OFF	L4DAC	1.00V	
	LDO5ONSL0T	7: Slot_7	L3DAC	1.80V	
	LDO4ONSL0T	7: Slot_7	L2DAC	1.80V	
	LDO3ONSL0T	7: Slot_7	L1DAC	3.30V	
	LDO2ONSL0T	F: Slot_OFF	DD4DAC	3.30V	
	LDO1ONSL0T	F: Slot_OFF	DD3DAC	1.80V	
	DC4ONSL0T	8: Slot_8	DD2DAC	2.50V	
	DC3ONSL0T	4: Slot_4	DD1DAC	1.00V	
	DC2ONSL0T	7: Slot_7	DD4LIM	1: 2.3A	
	DC1ONSL0T	0: Slot_0	DD3LIM	1: 2.3A	
	RESETHOLD	0: 0ms	DD2LIM	1: 3.2A	
	RESETSLOT	F: Slot_15	DD1LIM	1: 3.2A	
	PSO3ONSL0T	F: Slot_OFF			
	PSO2ONSL0T	1: Slot_1			
	PSO1ONSL0T	F: Slot_OFF			
	PSO0ONSL0T	F: Slot_OFF			



1. The products and the product specifications described in this document are subject to change or discontinuation of production without notice for reasons such as improvement. Therefore, before deciding to use the products, please refer to our sales representatives for the latest information thereon.
2. The materials in this document may not be copied or otherwise reproduced in whole or in part without prior written consent of our company.
3. Please be sure to take any necessary formalities under relevant laws or regulations before exporting or otherwise taking out of your country the products or the technical information described herein.
4. The technical information described in this document shows typical characteristics of and example application circuits for the products. The release of such information is not to be construed as a warranty of or a grant of license under our company's or any third party's intellectual property rights or any other rights.
5. The products listed in this document are intended and designed for use as general electronic components in standard applications (office equipment, telecommunication equipment, measuring instruments, consumer electronic products, amusement equipment etc.). Those customers intending to use a product in an application requiring extreme quality and reliability, for example, in a highly specific application where the failure or misoperation of the product could result in human injury or death (aircraft, spacevehicle, nuclear reactor control system, traffic control system, automotive and transportation equipment, combustion equipment, safety devices, life support system etc.) should first contact us.
6. We are making our continuous effort to improve the quality and reliability of our products, but semiconductor products are likely to fail with certain probability. In order to prevent any injury to persons or damages to property resulting from such failure, customers should be careful enough to incorporate safety measures in their design, such as redundancy feature, fire containment feature and fail-safe feature. We do not assume any liability or responsibility for any loss or damage arising from misuse or inappropriate use of the products.
7. Anti-radiation design is not implemented in the products described in this document.
8. The X-ray exposure can influence functions and characteristics of the products. Confirm the product functions and characteristics in the evaluation stage.
9. WLCSP products should be used in light shielded environments. The light exposure can influence functions and characteristics of the products under operation or storage.
10. There can be variation in the marking when different AOI (Automated Optical Inspection) equipment is used. In the case of recognizing the marking characteristic with AOI, please contact our sales or our distributor before attempting to use AOI.
11. Please contact our sales representatives should you have any questions or comments concerning the products or the technical information.



Nisshinbo Micro Devices Inc.

Official website

<https://www.nisshinbo-microdevices.co.jp/en/>

Purchase information

<https://www.nisshinbo-microdevices.co.jp/en/buy/>

