

# LIN System Basis Chip with DC Motor Pre-driver

The 33911G5/BAC is a SMARTMOS Serial Peripheral Interface (SPI) controlled System Basis Chip (SBC), combining many frequently used functions in an MCU based system, plus a Local Interconnect Network (LIN) transceiver. The 33911 has a 5.0 V, 50 mA/60 mA low dropout regulator with full protection and reporting features. The device provides full SPI readable diagnostics and a selectable timing watchdog for detecting errant operation. The LIN Protocol Specification 2.0 and 2.1 compliant LIN transceiver has waveshaping circuitry which can be disabled for higher data rates.

One 50 mA/60 mA high-side switch and two 150 mA/160 mA low-side switches with output protection are available. All outputs can be pulse-width modulated (PWM). Two high-voltage inputs are available for use in contact monitoring, or as external wake-up inputs. These inputs can be used as high-voltage Analog Inputs. The voltage on these pins is divided by a selectable ratio and available via an analog multiplexer.

The 33911 has three main operating modes: Normal (all functions available), Sleep ( $V_{DD}$  off, wake-up via LIN, wake-up inputs (L1, L2), cyclic sense, and forced wake-up), and Stop ( $V_{DD}$  on with limited current capability, wake-up via CS, LIN bus, wake-up inputs, cyclic sense, forced wake-up, and external reset).

The 33911 is compatible with LIN Protocol Specification 2.0, 2.1, and SAEJ2602-2.

## Features


- Full-duplex SPI interface at frequencies up to 4.0 MHz
- LIN transceiver capable of up to 100 kbps with wave shaping
- One 50 mA/60 mA high-side and two 150 mA/60 mA low-side protected switches
- Two high-voltage analog/logic Inputs
- Configurable window watchdog
- 5.0 V low drop regulator with fault detection and low-voltage reset (LVR) circuitry

33911

---

SYSTEM BASIS CHIP WITH LIN

---



AC SUFFIX (Pb-FREE)  
 98ASH70029A  
 32-PIN LQFP

## Applications

- Window lift
- Mirror switch
- Door lock
- Sunroof
- Light control

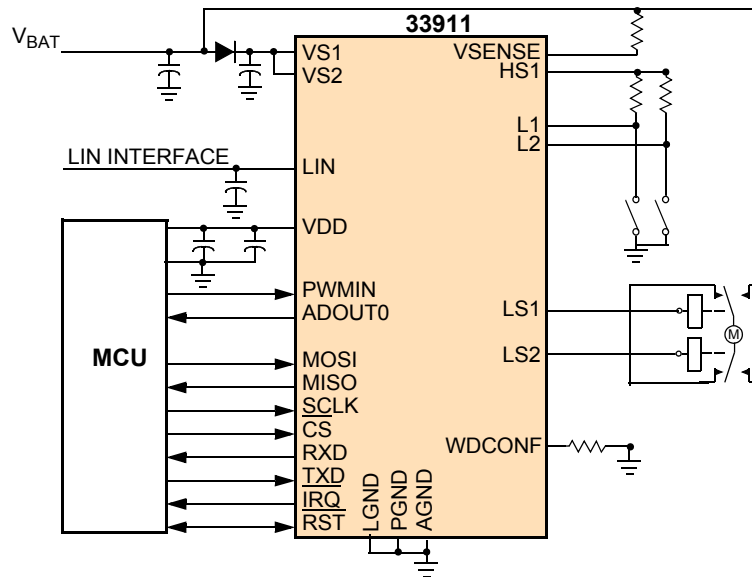


Figure 1. 33911 Simplified Application Diagram

# 1 Orderable Parts

The 33911G5 data sheet is within [MC33911G5 Product Specifications - page 3 to page 52](#).

The 33911BAC data sheet is within [MC33911BAC Product Specifications - page 53 to page 100](#).

**Table 1. Orderable Part Variations**

| Device         | Temperature  | Package | Generation |   |
|----------------|--------------|---------|------------|---|
| MC33911G5AC/R2 | -40 to 125°C | 32-LQFP | 2.5        | <ul style="list-style-type: none"> <li>• Increase ESD GUN IEC61000-4-2 (gun test contact with 150 pF, 330 Ω test conditions) performance to achieve ±6.0 kV min on the LIN pin.</li> <li>• Immunity against ISO7637 pulse 3b</li> <li>• Reduce EMC emission level on LIN</li> <li>• Improve EMC immunity against RF – target new specification including 3 x 68 pF</li> <li>• Comply with J2602 conformance test</li> </ul> |
| MC34911G5AC/R2 | -40 to 85°C  |         |            |   |
| MC33911BAC/R2  | -40 to 125°C |         | 2.0        | Initial release   |
| MC34911BAC/R2  | -40 to 85°C  |         |            |   |

## 2 MC33911G5 Product Specifications - page [3](#) to page [52](#)

### 3 Internal Block Diagram

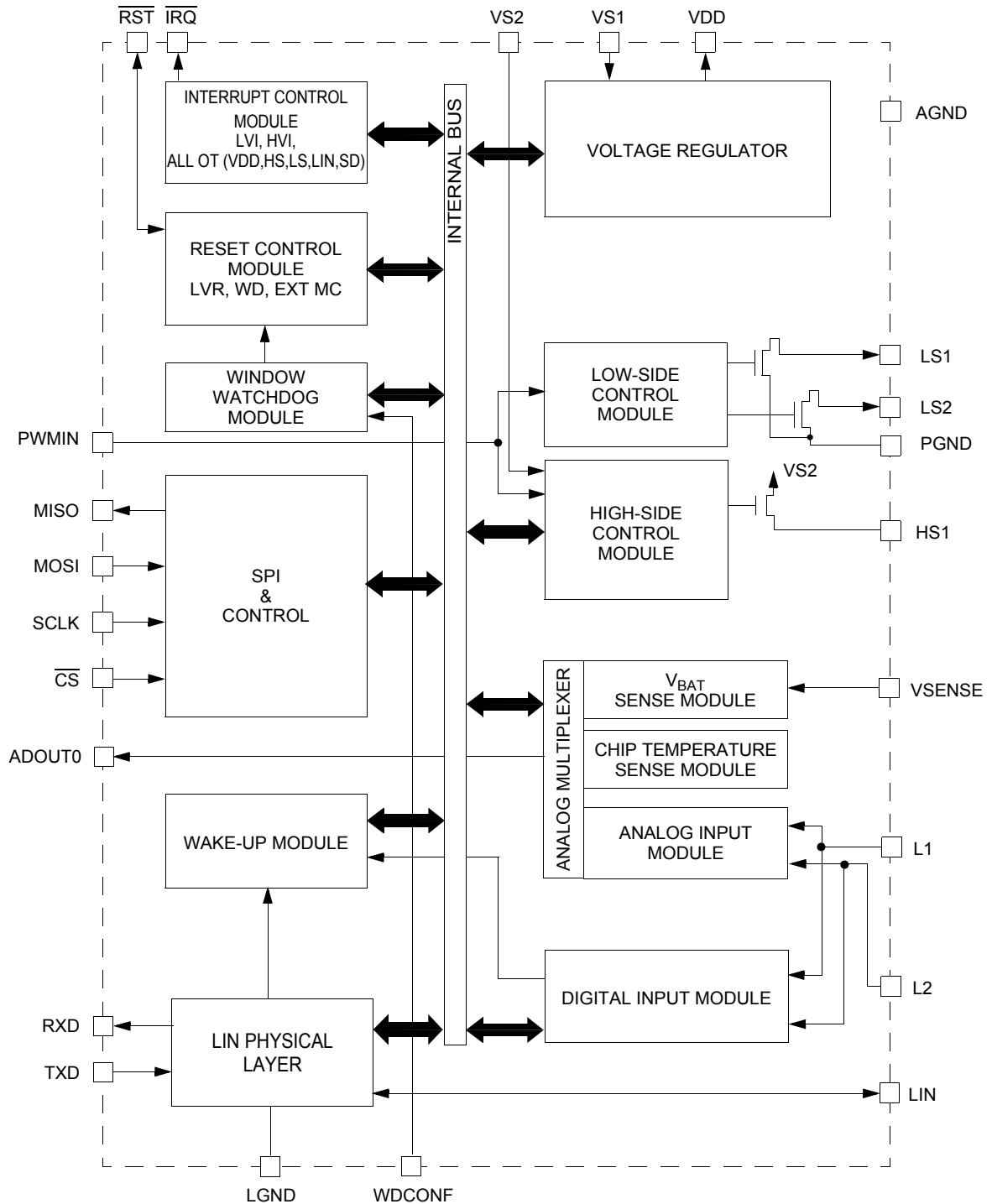


Figure 2. 33911G5 Simplified Internal Block Diagram

## 4 Pin Connections

### 4.1 Pinout Diagram

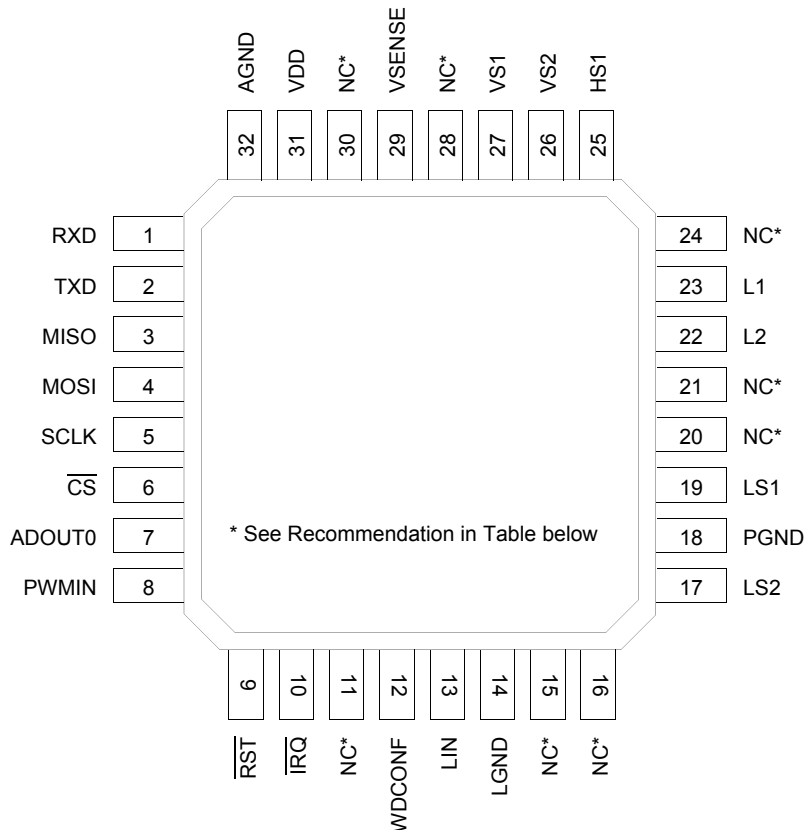


Figure 3. 33911 Pin Connections

### 4.2 Pin Definitions

A functional description of each pin can be found in the [Functional Pin Description](#) section beginning on [page 23](#).

Table 2. 33911 Pin Definitions

| Pin | Pin Name | Formal Name         | Definition  |
|-----|----------|---------------------|---|
| 1   | RXD      | Receiver Output     | This pin is the receiver output of the LIN interface which reports the state of the bus voltage to the MCU interface. |
| 2   | TXD      | Transmitter Input   | This pin is the transmitter input of the LIN interface which controls the state of the bus output.                    |
| 3   | MISO     | SPI Output          | SPI (Serial Peripheral Interface) data output. When CS is high, pin is in the high-impedance state.                   |
| 4   | MOSI     | SPI Input           | SPI (Serial Peripheral Interface) data input.   |
| 5   | SCLK     | SPI Clock           | SPI (Serial Peripheral Interface) clock Input.  |
| 6   | CS       | SPI Chip Select     | SPI (Serial Peripheral Interface) chip select input pin. CS is active low.  |
| 7   | ADOUT0   | Analog Output Pin 0 | Analog multiplexer output.  |
| 8   | PWMIN    | PWM Input           | High-side and low-side pulse width modulation input.  |

**Table 2. 33911 Pin Definitions**

| Pin              | Pin Name   | Formal Name                | Definition   |
|------------------|------------|----------------------------|--|
| 9                | RST        | Internal Reset I/O         | Bidirectional Reset I/O pin - driven low when any internal reset source is asserted. RST is active low.  |
| 10               | IRQ        | Internal Interrupt Output  | Interrupt output pin, indicating wake-up events from Stop mode or events from Normal and Normal request modes. IRQ is active low.              |
| 11 & 30          | NC         | Not Connected              | This pin must not be connected.  |
| 12               | WDCONF     | Watchdog Configuration Pin | This input pin is for configuration of the watchdog period and allows the disabling of the watchdog.   |
| 13               | LIN        | LIN Bus                    | This pin represents the single-wire bus transmitter and receiver.  |
| 14               | LGND       | LIN Ground Pin             | This pin is the device LIN ground connection. It is internally connected to the PGND pin.  |
| 15,16,20, and 21 | NC         | Not Connected              | This pin must not be connected or connected to ground.   |
| 17<br>19         | LS2<br>LS1 | Low-side Outputs           | Relay drivers low-side outputs.  |
| 18               | PGND       | Power Ground Pin           | This pin is the device low-side ground connection. It is internally connected to the LGND pin.   |
| 22<br>23         | L2<br>L1   | Wake-up Inputs             | These pins are the wake-up capable digital inputs <sup>(1)</sup> . In addition, all Lx inputs can be sensed analog via the analog multiplexer. |
| 24               | NC         | Not Connected              | This pin must not be connected or connected to VS2.  |
| 25               | HS1        | High-side Output           | High-side switch output.   |
| 26<br>27         | VS2<br>VS1 | Power Supply Pin           | These pins are device battery level power supply pins. VS2 is supplying the HS1 driver while VS1 supplies the remaining blocks. <sup>(2)</sup> |
| 28               | NC         | Not Connected              | This pin can be left opening or connected to any potential ground or power supply  |
| 29               | VSENSE     | Voltage Sense Pin          | Battery voltage sense input. <sup>(3)</sup>  |
| 31               | VDD        | Voltage Regulator Output   | +5.0 V main voltage regulator output pin. <sup>(4)</sup>   |
| 32               | AGND       | Analog Ground Pin          | This pin is the device analog ground connection.   |

**Notes**

1. When used as digital input, a series 33 k $\Omega$  resistor must be used to protect against automotive transients.
2. Reverse battery protection series diodes must be used externally to protect the internal circuitry.
3. This pin can be connected directly to the battery line for voltage measurements. The pin is self protected against reverse battery connections. It is strongly recommended to connect a 10 k $\Omega$  resistor in series with this pin for protection purposes.
4. External capacitor (2.0  $\mu$ F < C < 100  $\mu$ F; 0.1  $\Omega$  < ESR < 10  $\Omega$ ) required.

# 5 Electrical Characteristics

## 5.1 Maximum Ratings

**Table 3. Maximum Ratings**

All voltages are with respect to ground unless otherwise noted. Exceeding these ratings may cause a malfunction or permanent damage to the device.

| Symbol                         | Ratings  | Value                                | Unit | Notes      |
|--------------------------------|--|--------------------------------------|------|------------|
| <b>Electrical Ratings</b>      |  |                                      |      |            |
| $V_{SUP(SS)}$<br>$V_{SUP(PK)}$ | Supply Voltage at VS1 and VS2<br>• Normal Operation (DC)<br>• Transient Conditions (load dump)   | -0.3 to 27<br>-0.3 to 40             | V    |            |
| $V_{DD}$                       | Supply Voltage at VDD  | -0.3 to 5.5                          | V    |            |
| $V_{IN}$<br>$V_{IN(IRQ)}$      | Input / Output Pins Voltage<br>• $\overline{CS}$ , $\overline{RST}$ , $\overline{SCLK}$ , $\overline{PWMIN}$ , $\overline{ADOUT0}$ , $\overline{MOSI}$ , $\overline{MISO}$ , $\overline{TXD}$ , $\overline{RXD}$<br>• Interrupt Pin ( $\overline{IRQ}$ ) | -0.3 to $V_{DD} + 0.3$<br>-0.3 to 11 | V    | (5)<br>(6) |
| $V_{HS}$                       | HS1 Pin Voltage (DC)   | -0.3 to $V_{SUP} + 0.3$              | V    |            |
| $V_{LS}$                       | LS1 and LS2 Pin Voltage (DC)   | -0.3 to 45                           | V    |            |
| $V_{LxDC}$<br>$V_{LxTR}$       | L1 and L2 Pin Voltage<br>• Normal Operation with a series 33 k $\Omega$ resistor (DC)<br>• Transient input voltage with external component (according to ISO7637-2)<br>(See <a href="#">Figure 5</a> , page 19)  | -18 to 40<br>$\pm 100$               | V    |            |
| $V_{VSENSE}$                   | VSENSE Pin Voltage (DC)  | -27 to 40                            | V    |            |
| $V_{BUSDC}$<br>$V_{BUSTR}$     | LIN Pin Voltage<br>• Normal Operation (DC)<br>• Transient input voltage with external component (according to ISO7637-2)<br>(See <a href="#">Figure 5</a> , page 19)   | -18 to 40<br>-150 to 100             | V    |            |
| $I_{VDD}$                      | VDD Output Current   | Internally Limited                   | A    |            |

**Notes**

5. Exceeding voltage limits on specified pins may cause a malfunction or permanent damage to the device.
6. Extended voltage range for programming purpose only.

**Table 3. Maximum Ratings (continued)**

All voltages are with respect to ground unless otherwise noted. Exceeding these ratings may cause a malfunction or permanent damage to the device.

| Symbol       | Ratings   | Value                | Unit | Notes |
|--------------|---|----------------------|------|-------|
| $V_{ESD1-1}$ | ESD Capability <ul style="list-style-type: none"> <li>• AECQ100</li> <li>• Human Body Model - JESD22/A114 (<math>C_{ZAP} = 100 \text{ pF}</math>, <math>R_{ZAP} = 1500 \Omega</math>)</li> <li>• LIN Pin</li> <li>• L1 and L2</li> <li>• all other Pins</li> <li>• Charge Device Model - JESD22/C101 (<math>C_{ZAP} = 4.0 \text{ pF}</math>)</li> <li>• Corner Pins (Pins 1, 8, 9, 16, 17, 24, 25 and 32)</li> <li>• All other Pins (Pins 2-7, 10-15, 18-23, 26-31)</li> <li>• According to LIN Conformance Test Specification / LIN EMC Test Specification, August 2004 (<math>C_{ZAP} = 150 \text{ pF}</math>, <math>R_{ZAP} = 330 \Omega</math>)</li> <li>• Contact Discharge, Unpowered</li> <li>• LIN pin with 220 pF</li> <li>• LIN pin without capacitor</li> <li>• VS1/VS2 (100 nF to ground)</li> <li>• Lx inputs (33 k<math>\Omega</math> serial resistor)</li> <li>• According to IEC 61000-4-2 (<math>C_{ZAP} = 150 \text{ pF}</math>, <math>R_{ZAP} = 330 \Omega</math>)</li> <li>• Unpowered</li> <li>• LIN pin with 220 pF and without capacitor</li> <li>• VS1/VS2 (100 nF to ground)</li> <li>• Lx inputs (33 k<math>\Omega</math> serial resistor)</li> </ul> | $\pm 8.0\text{k}$    | V    |       |
| $V_{ESD1-2}$ |   | $\pm 6.0\text{k}$    |      |       |
| $V_{ESD1-3}$ |   | $\pm 2000$           |      |       |
| $V_{ESD2-1}$ |   | $\pm 750$            |      |       |
| $V_{ESD2-2}$ |   | $\pm 500$            |      |       |
| $V_{ESD3-1}$ |   | $\pm 20 \text{ k}$   |      |       |
| $V_{ESD3-2}$ |   | $\pm 11 \text{ k}$   |      |       |
| $V_{ESD3-3}$ |   | $> \pm 12 \text{ k}$ |      |       |
| $V_{ESD3-4}$ |   | $\pm 6000$           |      |       |
| $V_{ESD4-1}$ |   | $\pm 8000$           |      |       |
| $V_{ESD4-2}$ |   | $\pm 8000$           |      |       |
| $V_{ESD4-3}$ |   | $\pm 8000$           |      |       |

**Thermal Ratings**

|                 |  |                         |                             |                      |
|-----------------|--|-------------------------|-----------------------------|----------------------|
| $T_A$           | Operating Ambient Temperature <ul style="list-style-type: none"> <li>• 33911</li> <li>• 34911</li> </ul>   | -40 to 125<br>-40 to 85 | $^{\circ}\text{C}$          | (7)                  |
| $T_J$           | Operating Junction Temperature   | -40 to 150              | $^{\circ}\text{C}$          |                      |
| $T_{STG}$       | Storage Temperature  | -55 to 150              | $^{\circ}\text{C}$          |                      |
| $R_{\theta JA}$ | Thermal Resistance, Junction to Ambient <ul style="list-style-type: none"> <li>Natural Convection, Single Layer board (1s)</li> <li>Natural Convection, Four Layer board (2s2p)</li> </ul> | 85<br>56                | $^{\circ}\text{C}/\text{W}$ | (7), (8)<br>(7), (9) |
| $R_{\theta JC}$ | Thermal Resistance, Junction to Case   | 23                      | $^{\circ}\text{C}/\text{W}$ | (10)                 |
| $T_{PPRT}$      | Peak Package Reflow Temperature During Reflow  | Note 12                 | $^{\circ}\text{C}$          | (11), (12)           |

**Notes**

- Junction temperature is a function of on-chip power dissipation, package thermal resistance, mounting site (board) temperature, ambient temperature, air flow, power dissipation of other components on the board, and board thermal resistance.
- Per JEDEC JESD51-2 with the single layer board (JESD51-3) horizontal.
- Per JEDEC JESD51-6 with the board (JESD51-7) horizontal.
- Thermal resistance between the die and the case top surface as measured by the cold plate method (MIL SPEC-883 Method 1012.1).
- Pin soldering temperature limit is for 10 seconds maximum duration. Not designed for immersion soldering. Exceeding these limits may cause malfunction or permanent damage to the device.
- Freescale's Package Reflow capability meets Pb-free requirements for JEDEC standard J-STD-020C. For Peak Package Reflow Temperature and Moisture Sensitivity Levels (MSL), go to [www.freescale.com](http://www.freescale.com), search by part number [e.g. remove prefixes/suffixes and enter the core ID to view all orderable parts. (i.e. MC33xxx enter 33xxx), and review parametrics.



## 5.2 Static Electrical Characteristics

**Table 4. Static Electrical Characteristics**

Characteristics noted under conditions  $5.5\text{ V} \leq V_{\text{SUP}} \leq 18\text{ V}$ ,  $-40\text{ }^\circ\text{C} \leq T_{\text{A}} \leq 125\text{ }^\circ\text{C}$  for the 33911 and  $-40\text{ }^\circ\text{C} \leq T_{\text{A}} \leq 85\text{ }^\circ\text{C}$  for the 34911, unless otherwise noted. Typical values noted reflect the approximate parameter mean at  $T_{\text{A}} = 25\text{ }^\circ\text{C}$  under nominal conditions, unless otherwise noted.

| Symbol | Characteristic | Min. | Typ. | Max. | Unit | Notes |
|--------|----------------|------|------|------|------|-------|
|--------|----------------|------|------|------|------|-------|

### Supply Voltage Range (VS1, VS2)

|                    |                              |     |   |    |   |      |
|--------------------|------------------------------|-----|---|----|---|------|
| $V_{\text{SUP}}$   | Nominal Operating Voltage    | 5.5 | – | 18 | V |      |
| $V_{\text{SUPOP}}$ | Functional Operating Voltage | –   | – | 27 | V | (13) |
| $V_{\text{SUPLD}}$ | Load Dump                    | –   | – | 40 | V |      |

### Supply Current Range ( $V_{\text{SUP}} = 13.5\text{ V}$ )

|                     |  |   |     |     |               |                        |
|---------------------|--|---|-----|-----|---------------|------------------------|
| $I_{\text{RUN}}$    | Normal Mode ( $I_{\text{OUT}}$ at $V_{\text{DD}} = 10\text{ mA}$ ), LIN Recessive State  | – | 4.5 | 10  | mA            | (14)                   |
| $I_{\text{STOP}}$   | Stop Mode, VDD ON with $I_{\text{OUT}} = 100\text{ }\mu\text{A}$ , LIN Recessive State<br><ul style="list-style-type: none"> <li>• <math>5.5\text{ V} &lt; V_{\text{SUP}} &lt; 12\text{ V}</math></li> <li>• <math>V_{\text{SUP}} = 13.5\text{ V}</math></li> <li>• <math>13.5\text{ V} &lt; V_{\text{SUP}} &lt; 18\text{ V}</math></li> </ul> | – | 47  | 80  | $\mu\text{A}$ | (14), (15), (16), (17) |
|                     |  | – | 62  | 90  |               |                        |
|                     |  | – | 180 | 400 |               |                        |
| $I_{\text{SLEEP}}$  | Sleep Mode, VDD OFF, LIN Recessive State<br><ul style="list-style-type: none"> <li>• <math>5.5\text{ V} &lt; V_{\text{SUP}} &lt; 12\text{ V}</math></li> <li>• <math>V_{\text{SUP}} = 13.5\text{ V}</math></li> <li>• <math>13.5\text{ V} \leq V_{\text{SUP}} &lt; 18\text{ V}</math></li> </ul>   | – | 27  | 35  | $\mu\text{A}$ | (14), (16)             |
|                     |  | – | 33  | 48  |               |                        |
|                     |  | – | 160 | 300 |               |                        |
| $I_{\text{CYCLIC}}$ | Cyclic Sense Supply Current Adder  | – | 10  | –   | $\mu\text{A}$ | (18)                   |

### Supply Under/overvoltage Detections

|   |   |      |       |      |   |            |
|---|---|------|-------|------|---|------------|
| $V_{\text{BATFAIL}}$<br>$V_{\text{BATFAIL\_HYS}}$ | Power-On Reset (BATFAIL)<br><ul style="list-style-type: none"> <li>• Threshold (measured on VS1)</li> <li>• Hysteresis (measured on VS1)</li> </ul>   | 1.5  | 3.0   | 3.9  | V | (18), (19) |
|   |   | –    | 0.9   | –    |   |            |
| $V_{\text{SUV}}$<br>$V_{\text{SUV\_HYS}}$         | $V_{\text{SUP}}$ Undervoltage Detection (VSUV Flag) (Normal and Normal Request Modes, Interrupt Generated)<br><ul style="list-style-type: none"> <li>• Threshold (measured on VS1)</li> <li>• Hysteresis (measured on VS1)</li> </ul> | 5.55 | 6.0   | 6.6  | V |            |
|   |   | –    | 0.2   | –    |   |            |
| $V_{\text{SOV}}$<br>$V_{\text{SOV\_HYS}}$         | $V_{\text{SUP}}$ Overvoltage Detection (VSOV Flag) (Normal and Normal Request Modes, Interrupt Generated)<br><ul style="list-style-type: none"> <li>• Threshold (measured on VS1)</li> <li>• Hysteresis (measured on VS1)</li> </ul>  | 18   | 19.25 | 20.5 | V |            |
|   |   | –    | 1.0   | –    |   |            |

#### Notes

13. Device is fully functional. All features are operating.
14. Total current ( $I_{\text{VS1}} + I_{\text{VS2}}$ ) measured at GND pins excluding all loads, cyclic sense disabled.
15. Total  $I_{\text{DD}}$  current (including loads) below  $100\text{ }\mu\text{A}$ .
16. Stop and Sleep modes current increases if  $V_{\text{SUP}}$  exceeds  $13.5\text{ V}$ .
17. This parameter is guaranteed after  $90\text{ ms}$ .
18. This parameter is guaranteed by process monitoring but not production tested.
19. The Flag is set during power up sequence. To clear the flag, a SPI read must be performed.

**Table 4. Static Electrical Characteristics (continued)**

Characteristics noted under conditions  $5.5\text{ V} \leq V_{\text{SUP}} \leq 18\text{ V}$ ,  $-40\text{ }^\circ\text{C} \leq T_{\text{A}} \leq 125\text{ }^\circ\text{C}$  for the 33911 and  $-40\text{ }^\circ\text{C} \leq T_{\text{A}} \leq 85\text{ }^\circ\text{C}$  for the 34911, unless otherwise noted. Typical values noted reflect the approximate parameter mean at  $T_{\text{A}} = 25\text{ }^\circ\text{C}$  under nominal conditions, unless otherwise noted.

| Symbol  | Characteristic   | Min.   | Typ.   | Max.     | Unit             | Notes |
|---|--|--------|--------|----------|------------------|-------|
| <b>Voltage Regulator<sup>(20)</sup> (VDD)</b> |  |        |        |          |                  |       |
| $V_{\text{DDRUN}}$                            | Normal Mode Output Voltage<br>• $1.0\text{ mA} < I_{\text{VDD}} < 50\text{ mA}$ ; $5.5\text{ V} < V_{\text{SUP}} < 27\text{ V}$  | 4.75   | 5.00   | 5.25     | V                |       |
| $I_{\text{VDDRUN}}$                           | Normal Mode Output Current Limitation  | 60     | 110    | 200      | mA               |       |
| $V_{\text{DDDROP}}$                           | Dropout Voltage<br>• $I_{\text{VDD}} = 50\text{ mA}$   | –      | 0.1    | 0.25     | V                | (21)  |
| $V_{\text{DDSTOP}}$                           | Stop Mode Output Voltage<br>• $I_{\text{VDD}} < 5.0\text{ mA}$   | 4.75   | 5.0    | 5.25     | V                |       |
| $I_{\text{VDDSTOP}}$                          | Stop Mode Output Current Limitation  | 6.0    | 13     | 36       | mA               |       |
| $LR_{\text{RUN}}$<br>$LR_{\text{STOP}}$       | Line Regulation<br>• Normal Mode, $5.5\text{ V} < V_{\text{SUP}} < 18\text{ V}$ ; $I_{\text{VDD}} = 10\text{ mA}$<br>• Stop Mode, $5.5\text{ V} < V_{\text{SUP}} < 18\text{ V}$ ; $I_{\text{VDD}} = 1.0\text{ mA}$ | –<br>– | –<br>– | 25<br>25 | mV               |       |
| $LD_{\text{RUN}}$<br>$LD_{\text{STOP}}$       | Load Regulation<br>• Normal Mode, $1.0\text{ mA} < I_{\text{VDD}} < 50\text{ mA}$<br>• Stop Mode, $0.1\text{ mA} < I_{\text{VDD}} < 5.0\text{ mA}$   | –<br>– | –<br>– | 80<br>50 | mV               |       |
| $T_{\text{PRE}}$                              | Overtemperature Prewarning (Junction)<br>• Interrupt generated, VDDOT Bit Set  | 90     | 115    | 140      | $^\circ\text{C}$ | (22)  |
| $T_{\text{PRE\_HYS}}$                         | Overtemperature Prewarning Hysteresis  | –      | 13     | –        | $^\circ\text{C}$ | (22)  |
| $T_{\text{SD}}$                               | Overtemperature Shutdown Temperature (Junction)  | 150    | 170    | 190      | $^\circ\text{C}$ | (22)  |
| $T_{\text{SD\_HYS}}$                          | Overtemperature Shutdown Hysteresis  | –      | 13     | –        | $^\circ\text{C}$ | (22)  |

**RST Input/output Pin (RST)**

|                      |  |                            |      |                            |               |  |
|----------------------|--|----------------------------|------|----------------------------|---------------|--|
| $V_{\text{RSTTH}}$   | VDD Low-voltage Reset Threshold  | 4.3                        | 4.5  | 4.7                        | V             |  |
| $V_{\text{OL}}$      | Low-state Output Voltage<br>• $I_{\text{OUT}} = 1.5\text{ mA}$ ; $3.5\text{ V} \leq V_{\text{SUP}} \leq 27\text{ V}$ | 0.0                        | –    | 0.9                        | V             |  |
| $I_{\text{OH}}$      | High-state Output Current ( $0\text{ V} < V_{\text{OUT}} < 3.5\text{ V}$ )   | -150                       | -250 | -350                       | $\mu\text{A}$ |  |
| $I_{\text{PD\_MAX}}$ | Pull-down Current Limitation (internally limited)<br>$V_{\text{OUT}} = V_{\text{DD}}$                                | 1.5                        | –    | 8.0                        | mA            |  |
| $V_{\text{IL}}$      | Low-state Input Voltage  | -0.3                       | –    | $0.3 \times V_{\text{DD}}$ | V             |  |
| $V_{\text{IH}}$      | High-state Input Voltage   | $0.7 \times V_{\text{DD}}$ | –    | $V_{\text{DD}} + 0.3$      | V             |  |

## Notes

20. Specification with external capacitor  $2.0\text{ }\mu\text{F} < C < 100\text{ }\mu\text{F}$  and  $100\text{ m}\Omega \leq \text{ESR} \leq 10\text{ }\Omega$ .
21. Measured when voltage has dropped 250 mV below its nominal Value (5.0 V).
22. This parameter is guaranteed by process monitoring but not production tested.

**Table 4. Static Electrical Characteristics (continued)**

Characteristics noted under conditions  $5.5\text{ V} \leq V_{\text{SUP}} \leq 18\text{ V}$ ,  $-40\text{ }^\circ\text{C} \leq T_{\text{A}} \leq 125\text{ }^\circ\text{C}$  for the 33911 and  $-40\text{ }^\circ\text{C} \leq T_{\text{A}} \leq 85\text{ }^\circ\text{C}$  for the 34911, unless otherwise noted. Typical values noted reflect the approximate parameter mean at  $T_{\text{A}} = 25\text{ }^\circ\text{C}$  under nominal conditions, unless otherwise noted.

| Symbol | Characteristic | Min. | Typ. | Max. | Unit | Notes |
|--------|----------------|------|------|------|------|-------|
|--------|----------------|------|------|------|------|-------|

**MISO SPI Output Pin (MISO)**

|                      |   |                       |   |                 |               |  |
|----------------------|---|-----------------------|---|-----------------|---------------|--|
| $V_{\text{OL}}$      | Low-state Output Voltage<br>• $I_{\text{OUT}} = 1.5\text{ mA}$                      | 0.0                   | – | 1.0             | V             |  |
| $V_{\text{OH}}$      | High-state Output Voltage<br>• $I_{\text{OUT}} = -250\text{ }\mu\text{A}$           | $V_{\text{DD}} - 0.9$ | – | $V_{\text{DD}}$ | V             |  |
| $I_{\text{TRIMISO}}$ | Tri-state Leakage Current<br>• $0\text{ V} \leq V_{\text{MISO}} \leq V_{\text{DD}}$ | -10                   | – | 10              | $\mu\text{A}$ |  |

**SPI Input Pins (MOSI, SCLK, CS)**

|                   |   |                            |    |                            |               |  |
|-------------------|---|----------------------------|----|----------------------------|---------------|--|
| $V_{\text{IL}}$   | Low-state Input Voltage   | -0.3                       | –  | $0.3 \times V_{\text{DD}}$ | V             |  |
| $V_{\text{IH}}$   | High-state Input Voltage  | $0.7 \times V_{\text{DD}}$ | –  | $V_{\text{DD}} + 0.3$      | V             |  |
| $I_{\text{IN}}$   | MOSI, SCLK Input Current<br>• $0\text{ V} \leq V_{\text{IN}} \leq V_{\text{DD}}$        | -10                        | –  | 10                         | $\mu\text{A}$ |  |
| $I_{\text{PUCS}}$ | $\overline{\text{CS}}$ Pull-up Current<br>• $0\text{ V} < V_{\text{IN}} < 3.5\text{ V}$ | 10                         | 20 | 30                         | $\mu\text{A}$ |  |

**Interrupt Output Pin ( $\overline{\text{IRQ}}$ )**

|                  |   |                       |   |                 |    |  |
|------------------|---|-----------------------|---|-----------------|----|--|
| $V_{\text{OL}}$  | Low-state Output Voltage<br>• $I_{\text{OUT}} = 1.5\text{ mA}$            | 0.0                   | – | 0.8             | V  |  |
| $V_{\text{OH}}$  | High-state Output Voltage<br>• $I_{\text{OUT}} = -250\text{ }\mu\text{A}$ | $V_{\text{DD}} - 0.8$ | – | $V_{\text{DD}}$ | V  |  |
| $I_{\text{OUT}}$ | Leakage Current<br>• $V_{\text{DD}} \leq V_{\text{OUT}} \leq 10\text{ V}$ | –                     | – | 2.0             | mA |  |

**Pulse Width Modulation Input Pin (PWMIN)**

|                      |  |                            |    |                            |               |  |
|----------------------|--|----------------------------|----|----------------------------|---------------|--|
| $V_{\text{IL}}$      | Low-state Input Voltage  | -0.3                       | –  | $0.3 \times V_{\text{DD}}$ | V             |  |
| $V_{\text{IH}}$      | High-state Input Voltage   | $0.7 \times V_{\text{DD}}$ | –  | $V_{\text{DD}} + 0.3$      | V             |  |
| $I_{\text{PUPWMIN}}$ | Pull-up current<br>• $0\text{ V} < V_{\text{IN}} < 3.5\text{ V}$ | 10                         | 20 | 30                         | $\mu\text{A}$ |  |

**Table 4. Static Electrical Characteristics (continued)**

Characteristics noted under conditions  $5.5\text{ V} \leq V_{\text{SUP}} \leq 18\text{ V}$ ,  $-40\text{ }^\circ\text{C} \leq T_{\text{A}} \leq 125\text{ }^\circ\text{C}$  for the 33911 and  $-40\text{ }^\circ\text{C} \leq T_{\text{A}} \leq 85\text{ }^\circ\text{C}$  for the 34911, unless otherwise noted. Typical values noted reflect the approximate parameter mean at  $T_{\text{A}} = 25\text{ }^\circ\text{C}$  under nominal conditions, unless otherwise noted.

| Symbol                                | Characteristic   | Min.                   | Typ. | Max. | Unit             | Notes      |
|---------------------------------------|--|------------------------|------|------|------------------|------------|
| <b>High-side Output HS1 Pin (HS1)</b> |  |                        |      |      |                  |            |
| $R_{\text{DS(on)}}$                   | Output Drain-to-Source On Resistance<br><ul style="list-style-type: none"> <li>• <math>T_{\text{J}} = 25\text{ }^\circ\text{C}</math>, <math>I_{\text{LOAD}} = 50\text{ mA}</math>; <math>V_{\text{SUP}} &gt; 9.0\text{ V}</math></li> <li>• <math>T_{\text{J}} = 150\text{ }^\circ\text{C}</math>, <math>I_{\text{LOAD}} = 50\text{ mA}</math>; <math>V_{\text{SUP}} &gt; 9.0\text{ V}</math></li> <li>• <math>T_{\text{J}} = 150\text{ }^\circ\text{C}</math>, <math>I_{\text{LOAD}} = 30\text{ mA}</math>; <math>5.5\text{ V} &lt; V_{\text{SUP}} &lt; 9.0\text{ V}</math></li> </ul> | –                      | –    | 7.0  | $\Omega$         | (23)       |
|                                       |  | –                      | –    | 10   |                  | (23)       |
|                                       |  | –                      | –    | 14   |                  | (23)       |
| $I_{\text{LIMHS1}}$                   | Output Current Limitation<br><ul style="list-style-type: none"> <li>• <math>0\text{ V} &lt; V_{\text{OUT}} &lt; V_{\text{SUP}} - 2.0\text{ V}</math></li> </ul>  | 60                     | 90   | 250  | mA               | (24)       |
| $I_{\text{OLHS1}}$                    | Open Load Current Detection  | –                      | 5.0  | 7.5  | mA               | (25)       |
| $I_{\text{LEAK}}$                     | Leakage Current<br><ul style="list-style-type: none"> <li>• <math>-0.2\text{ V} &lt; V_{\text{HS1}} &lt; V_{\text{S2}} + 0.2\text{ V}</math></li> </ul>  | –                      | –    | 10   | $\mu\text{A}$    |            |
| $V_{\text{THSC}}$                     | Short-circuit Detection Threshold<br><ul style="list-style-type: none"> <li>• <math>5.5\text{ V} &lt; V_{\text{SUP}} &lt; 27\text{ V}</math></li> </ul>  | $V_{\text{SUP}} - 2.0$ | –    | –    | V                | (26)       |
| $T_{\text{HSSD}}$                     | Overtemperature Shutdown   | 140                    | 160  | 180  | $^\circ\text{C}$ | (27), (31) |
| $T_{\text{HSSD\_HYS}}$                | Overtemperature Shutdown Hysteresis  | –                      | 10   | –    | $^\circ\text{C}$ | (31)       |

**Low-side Outputs LS1 and LS2 Pins (LS1, LS2)**

|                        |   |                        |     |                        |                  |            |
|------------------------|---|------------------------|-----|------------------------|------------------|------------|
| $R_{\text{DS(on)}}$    | Output Drain-to-Source On Resistance<br><ul style="list-style-type: none"> <li>• <math>T_{\text{J}} = 25\text{ }^\circ\text{C}</math>, <math>I_{\text{LOAD}} = 150\text{ mA}</math>, <math>V_{\text{SUP}} &gt; 9.0\text{ V}</math></li> <li>• <math>T_{\text{J}} = 125\text{ }^\circ\text{C}</math>, <math>I_{\text{LOAD}} = 150\text{ mA}</math>, <math>V_{\text{SUP}} &gt; 9.0\text{ V}</math></li> <li>• <math>T_{\text{J}} = 125\text{ }^\circ\text{C}</math>, <math>I_{\text{LOAD}} = 120\text{ mA}</math>, <math>5.5\text{ V} &lt; V_{\text{SUP}} &lt; 9.0\text{ V}</math></li> </ul> | –                      | –   | 2.5                    | $\Omega$         |            |
|                        |   | –                      | –   | 4.5                    |                  |            |
|                        |   | –                      | –   | 10                     |                  |            |
| $I_{\text{LIMLSX}}$    | Output Current Limitation<br><ul style="list-style-type: none"> <li>• <math>2.0\text{ V} &lt; V_{\text{OUT}} &lt; V_{\text{SUP}}</math></li> </ul>  | 160                    | 275 | 350                    | mA               | (28)       |
| $I_{\text{OLLSX}}$     | Open Load Current Detection   | –                      | 7.5 | 12                     | mA               | (29)       |
| $I_{\text{LEAK}}$      | Leakage Current<br><ul style="list-style-type: none"> <li>• <math>-0.2\text{ V} &lt; V_{\text{OUT}} &lt; V_{\text{S1}}</math></li> </ul>  | –                      | –   | 10                     | $\mu\text{A}$    |            |
| $V_{\text{CLAMP}}$     | Active Output Energy Clamp<br><ul style="list-style-type: none"> <li>• <math>I_{\text{OUT}} = 150\text{ mA}</math></li> </ul>   | $V_{\text{SUP}} + 2.0$ | –   | $V_{\text{SUP}} + 5.0$ | V                |            |
| $V_{\text{THSC}}$      | Short-circuit Detection Threshold<br><ul style="list-style-type: none"> <li>• <math>5.5\text{ V} &lt; V_{\text{SUP}} &lt; 27\text{ V}</math></li> </ul>   | 2.0                    | –   | –                      | V                | (26)       |
| $T_{\text{LSSD}}$      | Overtemperature Shutdown  | 140                    | 160 | 180                    | $^\circ\text{C}$ | (30), (31) |
| $T_{\text{LSSD\_HYS}}$ | Overtemperature Shutdown Hysteresis   | –                      | 10  | –                      | $^\circ\text{C}$ | (31)       |

## Notes

23. This parameter is production tested up to  $T_{\text{A}} = 125\text{ }^\circ\text{C}$ , and guaranteed by process monitoring up to  $T_{\text{J}} = 150\text{ }^\circ\text{C}$ .
24. When overcurrent occurs, the corresponding high-side stays ON with limited current capability and the HS1CL flag is set in the HSSR.
25. When open load occurs, the flag (HS1OP) is set in the HSSR.
26. HS and LS automatically shutdown if HSOT or LSOT occurs or if the HVSE flag is enabled and an overvoltage occurs.
27. When overtemperature shutdown occurs, the high-side is turned off. All flags in HSSR are set.
28. When overcurrent occurs, the corresponding low-side stays ON with limited current capability and the LSxCL flag is set in the LSSR.
29. When open load occurs, the flag (LSxOP) is set in the LSSR.
30. When overtemperature shutdown occurs, both low-sides are turned off. All flags in LSSR are set.
31. Guaranteed by characterization but not production tested

**Table 4. Static Electrical Characteristics (continued)**

Characteristics noted under conditions  $5.5\text{ V} \leq V_{\text{SUP}} \leq 18\text{ V}$ ,  $-40\text{ }^\circ\text{C} \leq T_{\text{A}} \leq 125\text{ }^\circ\text{C}$  for the 33911 and  $-40\text{ }^\circ\text{C} \leq T_{\text{A}} \leq 85\text{ }^\circ\text{C}$  for the 34911, unless otherwise noted. Typical values noted reflect the approximate parameter mean at  $T_{\text{A}} = 25\text{ }^\circ\text{C}$  under nominal conditions, unless otherwise noted.

| Symbol                                       | Characteristic  | Min.         | Typ.       | Max.         | Unit             | Notes |
|--|---|--------------|------------|--------------|------------------|-------|
| <b>L1 and L2 Input Pins (L1 and L2)</b>      |   |              |            |              |                  |       |
| $V_{\text{THL}}$                             | Low Detection Threshold<br>• $5.5\text{ V} < V_{\text{SUP}} < 27\text{ V}$  | 2.0          | 2.5        | 3.0          | V                | (32)  |
| $V_{\text{THH}}$                             | High Detection Threshold<br>• $5.5\text{ V} < V_{\text{SUP}} < 27\text{ V}$   | 3.0          | 3.5        | 4.0          | V                | (32)  |
| $V_{\text{HYS}}$                             | Hysteresis<br>• $5.5\text{ V} < V_{\text{SUP}} < 27\text{ V}$   | 0.4          | 0.8        | 1.4          | V                | (32)  |
| $I_{\text{IN}}$                              | Input Current<br>• $-0.2\text{ V} < V_{\text{IN}} < V_{\text{S1}}$  | -10          | –          | 10           | $\mu\text{A}$    | (33)  |
| $R_{\text{LXIN}}$                            | Analog Input Impedance  | 800          | 1300       | 2000         | $\text{k}\Omega$ | (34)  |
| $\text{RATIO}_{\text{LX}}$                   | Analog Input Divider Ratio ( $\text{RATIO}_{\text{LX}} = V_{\text{Lx}} / V_{\text{ADOUT0}}$ )<br>• LXDS (Lx Divider Select) = 0<br>• LXDS (Lx Divider Select) = 1 | 0.95<br>3.42 | 1.0<br>3.6 | 1.05<br>3.78 |                  |       |
| $V_{\text{RATIO}_{\text{LX}}\text{-OFFSET}}$ | Analog Output offset Ratio<br>• LXDS (Lx Divider Select) = 0<br>• LXDS (Lx Divider Select) = 1  | -80<br>-22   | 6.0<br>2.0 | 80<br>22     | mV               |       |
| $\text{LX}_{\text{MATCHING}}$                | Analog Inputs Matching<br>• LXDS (Lx Divider Select) = 0<br>• LXDS (Lx Divider Select) = 1  | 96<br>96     | 100<br>100 | 104<br>104   | %                |       |

**Window Watchdog Configuration Pin (WDCONF)** (35)

|                          |   |     |   |     |                  |      |
|--------------------------|---|-----|---|-----|------------------|------|
| $R_{\text{EXT}}$         | External Resistor Range   | 20  | – | 200 | $\text{k}\Omega$ |      |
| $\text{WD}_{\text{ACC}}$ | Watchdog Period Accuracy with External Resistor (Excluding Resistor Accuracy) | -15 | – | 15  | %                | (36) |

**Analog Multiplexer**

|                                |  |                   |               |                   |      |      |
|--------------------------------|--|-------------------|---------------|-------------------|------|------|
| $V_{\text{ADOUT0\_TEMP}}$      | Temperature Sense Analog Output Voltage<br>• $T_{\text{A}} = -40\text{ }^\circ\text{C}$<br>• $T_{\text{A}} = 25\text{ }^\circ\text{C}$<br>• $T_{\text{A}} = 125\text{ }^\circ\text{C}$ | 2.0<br>2.8<br>3.6 | –<br>3.0<br>– | 2.8<br>3.6<br>4.6 | V    |      |
| $V_{\text{ADOUT0\_25}}$        | Temperature Sense Analog Output Voltage per characterization<br>• $T_{\text{A}} = 25\text{ }^\circ\text{C}$  | 3.1               | 3.15          | 3.2               | V    | (37) |
| $S_{\text{TTOV}}$              | Internal Chip Temperature Sense Gain   | 9.0               | 10.5          | 12                | mV/K |      |
| $S_{\text{TTOV\_3T}}$          | Internal Chip Temperature Sense Gain per characterization at 3 temperatures. See <a href="#">Figure 16. Temperature Sense Gain</a>   | 9.9               | 10.2          | 10.5              | mV/K | (37) |
| $\text{RATIO}_{\text{VSENSE}}$ | VSENSE Input Divider Ratio ( $\text{RATIO}_{\text{VSENSE}} = V_{\text{VSENSE}} / V_{\text{ADOUT0}}$ )<br>• $5.5\text{ V} < V_{\text{SUP}} < 27\text{ V}$                               | 5.0               | 5.25          | 5.5               |      |      |

## Notes

32. The unused Lx pins must be connected to ground.
33. Analog multiplexer input disconnected from Lx input pin.
34. Analog multiplexer input connected to Lx input pin.
35. For  $V_{\text{SUP}}$  4.7 V to 18 V
36. Watchdog timing period calculation formula:  $t_{\text{PWD}} [\text{ms}] = [0.466 * (R_{\text{EXT}} - 20)] + 10$  with ( $R_{\text{EXT}}$  in  $\text{k}\Omega$ )
37. These limits have been defined after laboratory characterization on 3 lots and 30 samples. These tightened limits could not be guaranteed by production test.

**Table 4. Static Electrical Characteristics (continued)**

Characteristics noted under conditions  $5.5\text{ V} \leq V_{\text{SUP}} \leq 18\text{ V}$ ,  $-40\text{ }^\circ\text{C} \leq T_{\text{A}} \leq 125\text{ }^\circ\text{C}$  for the 33911 and  $-40\text{ }^\circ\text{C} \leq T_{\text{A}} \leq 85\text{ }^\circ\text{C}$  for the 34911, unless otherwise noted. Typical values noted reflect the approximate parameter mean at  $T_{\text{A}} = 25\text{ }^\circ\text{C}$  under nominal conditions, unless otherwise noted.

| Symbol   | Characteristic  | Min.                       | Typ.  | Max.                       | Unit          | Notes |
|--|---|----------------------------|-------|----------------------------|---------------|-------|
| <b>Analog Multiplexer (Continued)</b>                                    |   |                            |       |                            |               |       |
| $\text{RATIO}_{\text{VSENSE}_{\text{CZ}}}$                               | VSENSE Input Divider Ratio ( $\text{RATIO}_{\text{VSENSE}} = V_{\text{sense}}/V_{\text{adout0}}$ ) per characterization<br>• $5.5 < V_{\text{SUP}} < 27\text{ V}$ | 5.15                       | 5.25  | 5.35                       |               | (38)  |
| $\text{OFFSET}_{\text{VSENSE}}$  | VSENSE Output Related Offset  | -30                        | -10   | 30                         | mV            |       |
| $\text{OFFSET}_{\text{VSENSE}_{\text{CZ}}}$                              | VSENSE Output Related Offset per characterization   | -30                        | -12.6 | 0                          | mV            | (38)  |
| <b>Analog Output (ADOUT0)</b>  |   |                            |       |                            |               |       |
| $V_{\text{OUT\_MAX}}$  | Maximum Output Voltage<br>• $-5.0\text{ mA} < I_{\text{O}} < 5.0\text{ mA}$   | $V_{\text{DD}} - 0.35$     | –     | $V_{\text{DD}}$            | V             |       |
| $V_{\text{OUT\_MIN}}$  | Minimum Output Voltage<br>• $-5.0\text{ mA} < I_{\text{O}} < 5.0\text{ mA}$   | 0.0                        | –     | 0.35                       | V             |       |
| <b>RxD Output Pin (LIN Physical Layer) (RxD)</b>                         |   |                            |       |                            |               |       |
| $V_{\text{OL}}$  | Low-state Output Voltage<br>• $I_{\text{OUT}} = 1.5\text{ mA}$  | 0.0                        | –     | 0.8                        | V             |       |
| $V_{\text{OH}}$  | High-state Output Voltage<br>• $I_{\text{OUT}} = -250\text{ }\mu\text{A}$   | $V_{\text{DD}} - 0.8$      | –     | $V_{\text{DD}}$            | V             |       |
| <b>TXD Input Pin (LIN Physical Layer) (TXD)</b>                          |   |                            |       |                            |               |       |
| $V_{\text{IL}}$  | Low-state Input Voltage   | -0.3                       | –     | $0.3 \times V_{\text{DD}}$ | V             |       |
| $V_{\text{IH}}$  | High-state Input Voltage  | $0.7 \times V_{\text{DD}}$ | –     | $V_{\text{DD}} + 0.3$      | V             |       |
| $I_{\text{PUIN}}$  | Pin Pull-up Current, $0\text{ V} < V_{\text{IN}} < 3.5\text{ V}$  | 10                         | 20    | 30                         | $\mu\text{A}$ |       |
| <b>LIN PHYSICAL LAYER WITH J2602 FEATURE Enabled (bit DIS_J2602 = 0)</b> |   |                            |       |                            |               |       |
| $V_{\text{TH\_UNDER\_VOLTAGE}}$  | LIN Undervoltage threshold<br>• Positive and Negative threshold ( $V_{\text{THP}}$ , $V_{\text{THN}}$ )   | 5.0                        |       | 6.0                        | V             |       |
| $V_{\text{J2602\_DEG}}$  | Hysteresis ( $V_{\text{THP}} - V_{\text{THN}}$ )  |                            | 400   |                            | mV            |       |

**Notes**

38. These limits have been defined after laboratory characterization on 3 lots and 30 samples. These tighter limits cannot be guaranteed by production test.

**Table 4. Static Electrical Characteristics (continued)**

Characteristics noted under conditions  $5.5\text{ V} \leq V_{\text{SUP}} \leq 18\text{ V}$ ,  $-40\text{ }^\circ\text{C} \leq T_{\text{A}} \leq 125\text{ }^\circ\text{C}$  for the 33911 and  $-40\text{ }^\circ\text{C} \leq T_{\text{A}} \leq 85\text{ }^\circ\text{C}$  for the 34911, unless otherwise noted. Typical values noted reflect the approximate parameter mean at  $T_{\text{A}} = 25\text{ }^\circ\text{C}$  under nominal conditions, unless otherwise noted.

| Symbol  | Characteristic  | Min.  | Typ. | Max.  | Unit             | Notes |
|---|---|-------|------|-------|------------------|-------|
| <b>LIN PHYSICAL LAYER, TRANSCEIVER (LIN)<sup>(39)</sup></b> |   |       |      |       |                  |       |
| $V_{\text{BAT}}$  | Operating Voltage Range   | 8.0   | –    | 18    | V                |       |
| $V_{\text{SUP}}$  | Supply Voltage Range  | 7.0   | –    | 18    | V                |       |
| $V_{\text{SUP\_NON\_OP}}$                                   | Voltage Range within which the device is not destroyed  | -0.3  | –    | 40    | V                |       |
| $I_{\text{BUS\_LIM}}$                                       | Current Limitation for Driver Dominant State<br>• Driver ON, $V_{\text{BUS}} = 18\text{ V}$   | 40    | 90   | 200   | mA               |       |
| $I_{\text{BUS\_PAS\_DOM}}$                                  | Input Leakage Current at the receiver<br>• Driver off; $V_{\text{BUS}} = 0\text{ V}$ ; $V_{\text{BAT}} = 12\text{ V}$   | -1.0  | –    | –     | mA               |       |
| $I_{\text{BUS\_PAS\_REC}}$                                  | Leakage Output Current to GND<br>• Driver Off; $8.0\text{ V} < V_{\text{BAT}} < 18\text{ V}$ ; $8.0\text{ V} < V_{\text{BUS}} < 18\text{ V}$ ; $V_{\text{BUS}} \geq V_{\text{BAT}}$ | –     | –    | 20    | $\mu\text{A}$    |       |
| $I_{\text{BUS\_NO\_GND}}$                                   | Control Unit Disconnected from Ground<br>• $\text{GND}_{\text{DEVICE}} = V_{\text{SUP}}$ ; $V_{\text{BAT}} = 12\text{ V}$ ; $0 < V_{\text{BUS}} < 18\text{ V}$                      | -1.0  | –    | 1.0   | mA               | (40)  |
| $I_{\text{BUSNO\_BAT}}$                                     | $V_{\text{BAT}}$ Disconnected; $V_{\text{SUP\_DEVICE}} = \text{GND}$ ; $0 < V_{\text{BUS}} < 18\text{ V}$   | –     | –    | 100   | $\mu\text{A}$    | (41)  |
| $V_{\text{BUSDOM}}$   | Receiver Dominant State   | –     | –    | 0.4   | $V_{\text{SUP}}$ |       |
| $V_{\text{BUSREC}}$   | Receiver Recessive State  | 0.6   | –    | –     | $V_{\text{SUP}}$ |       |
| $V_{\text{BUS\_CNT}}$                                       | Receiver Threshold Center<br>• $(V_{\text{TH\_DOM}} + V_{\text{TH\_REC}})/2$  | 0.475 | 0.5  | 0.525 | $V_{\text{SUP}}$ |       |
| $V_{\text{HYS}}$  | Receiver Threshold Hysteresis<br>• $(V_{\text{TH\_REC}} - V_{\text{TH\_DOM}})$  | –     | –    | 0.175 | $V_{\text{SUP}}$ |       |
| $V_{\text{SERDIODE}}$                                       | Voltage Drop at the Serial Diode in pull-up path  | 0.4   |      | 1.0   | V                |       |
| $V_{\text{SHIFT\_BAT}}$                                     | $V_{\text{BAT\_SHIFT}}$   | 0     |      | 11.5% | $V_{\text{BAT}}$ |       |
| $V_{\text{SHIFT\_GND}}$                                     | $\text{GND\_SHIFT}$   | 0     |      | 11.5% | $V_{\text{BAT}}$ |       |
| $V_{\text{BUSWU}}$  | LIN Wake-up Threshold from Stop or Sleep Mode   |       | 5.3  | 5.8   | V                | (42)  |
| $R_{\text{SLAVE}}$  | LIN Pull-up Resistor to $V_{\text{SUP}}$  | 20    | 30   | 60    | $\text{k}\Omega$ |       |
| $T_{\text{LINS D}}$   | Overtemperature Shutdown  | 140   | 160  | 180   | $^\circ\text{C}$ | (43)  |
| $T_{\text{LINS D\_HYS}}$                                    | Overtemperature Shutdown Hysteresis   | –     | 10   | –     | $^\circ\text{C}$ |       |

**Notes**

39. Parameters guaranteed for  $7.0\text{ V} \leq V_{\text{SUP}} \leq 18\text{ V}$ .
40. Loss of local ground must not affect communication in the residual network.
41. Node has to sustain the current which can flow under this condition. Bus must remain operational under this condition.
42. This parameter is 100% tested on an Automatic Tester. However, since it has not been monitored during reliability stresses, Freescale does not guarantee this parameter during the product's life time.
43. When overtemperature shutdown occurs, the LIN bus goes in recessive state and the flag LINOT in LINSR is set.

## 5.3 Dynamic Electrical Characteristics

**Table 5. Dynamic Electrical Characteristics**

Characteristics noted under conditions  $5.5\text{ V} \leq V_{\text{SUP}} \leq 18\text{ V}$ ,  $-40\text{ }^\circ\text{C} \leq T_A \leq 125\text{ }^\circ\text{C}$  for the 33911 and  $-40\text{ }^\circ\text{C} \leq T_A \leq 85\text{ }^\circ\text{C}$  for the 34911, unless otherwise noted. Typical values noted reflect the approximate parameter mean at  $T_A = 25\text{ }^\circ\text{C}$  under nominal conditions, unless otherwise noted.

| Symbol  | Characteristic  | Min.             | Typ.            | Max.               | Unit | Notes |
|---|---|------------------|-----------------|--------------------|------|-------|
| <b>SPI INTERFACE TIMING</b> (see <a href="#">Figure 13</a> , page 22) |   |                  |                 |                    |      |       |
| $f_{\text{SPIOP}}$  | SPI Operating Frequency   | –                | –               | 4.0                | MHz  |       |
| $t_{\text{PSCLK}}$  | SCLK Clock Period   | 250              | –               | N/A                | ns   |       |
| $t_{\text{WSCLKH}}$   | SCLK Clock High Time  | 110              | –               | N/A                | ns   | (44)  |
| $t_{\text{WSCLKL}}$   | SCLK Clock Low Time   | 110              | –               | N/A                | ns   | (44)  |
| $t_{\text{LEAD}}$   | Falling Edge of $\overline{\text{CS}}$ to Rising Edge of SCLK   | 100              | –               | N/A                | ns   | (44)  |
| $t_{\text{LAG}}$  | Falling Edge of SCLK to $\overline{\text{CS}}$ Rising Edge  | 100              | –               | N/A                | ns   | (44)  |
| $t_{\text{SISU}}$   | MOSI to Falling Edge of SCLK  | 40               | –               | N/A                | ns   | (44)  |
| $t_{\text{SIH}}$  | Falling Edge of SCLK to MOSI  | 40               | –               | N/A                | ns   | (44)  |
| $t_{\text{RSO}}$  | MISO Rise Time<br>• $C_L = 220\text{ pF}$   | –                | 40              | –                  | ns   | (44)  |
| $t_{\text{FSO}}$  | MISO Fall Time<br>• $C_L = 220\text{ pF}$   | –                | 40              | –                  | ns   | (44)  |
| $t_{\text{SOEN}}$<br>$t_{\text{SODIS}}$                               | Time from Falling or Rising Edges of $\overline{\text{CS}}$ to:<br>- MISO Low-impedance<br>- MISO High-impedance  | 0.0<br>0.0       | –<br>–          | 50<br>50           | ns   | (44)  |
| $t_{\text{VALID}}$  | Time from Rising Edge of SCLK to MISO Data Valid<br>• $0.2 \times V_{\text{DD}} \leq \text{MISO} \leq 0.8 \times V_{\text{DD}}$ , $C_L = 100\text{ pF}$   | 0.0              | –               | 75                 | ns   | (44)  |
| <b>RST OUTPUT PIN</b>   |   |                  |                 |                    |      |       |
| $t_{\text{RST}}$  | Reset Low-level Duration After $V_{\text{DD}}$ High (see <a href="#">Figure 12</a> , page 22)   | 0.65             | 1.0             | 1.35               | ms   |       |
| $t_{\text{RSTDF}}$  | Reset Deglitch Filter Time  | 350              | 480             | 900                | ns   |       |
| <b>Window Watchdog Configuration Pin (WDCONF)</b>                     |   |                  |                 |                    |      |       |
| $t_{\text{PWD}}$  | Watchdog Time Period<br>• External Resistor $R_{\text{EXT}} = 20\text{ k}\Omega$ (1%)<br>• External Resistor $R_{\text{EXT}} = 200\text{ k}\Omega$ (1%)<br>• Without External Resistor $R_{\text{EXT}}$ (WDCONF Pin Open) | 8.5<br>79<br>110 | 10<br>94<br>150 | 11.5<br>108<br>205 | ms   | (45)  |

**Notes**

44. This parameter is guaranteed by process monitoring but not production tested.
45. Watchdog timing period calculation formula:  $t_{\text{PWD}} [\text{ms}] = [0.466 * (R_{\text{EXT}} - 20)] + 10$  with ( $R_{\text{EXT}}$  in  $\text{k}\Omega$ )



**Table 5. Dynamic Electrical Characteristics (continued)**

Characteristics noted under conditions  $5.5\text{ V} \leq V_{\text{SUP}} \leq 18\text{ V}$ ,  $-40\text{ }^\circ\text{C} \leq T_{\text{A}} \leq 125\text{ }^\circ\text{C}$  for the 33911 and  $-40\text{ }^\circ\text{C} \leq T_{\text{A}} \leq 85\text{ }^\circ\text{C}$  for the 34911, unless otherwise noted. Typical values noted reflect the approximate parameter mean at  $T_{\text{A}} = 25\text{ }^\circ\text{C}$  under nominal conditions, unless otherwise noted.

| Symbol | Characteristic | Min. | Typ. | Max. | Unit | Notes |
|--------|----------------|------|------|------|------|-------|
|--------|----------------|------|------|------|------|-------|

**L1 and L2 Inputs**

|                  |                           |     |    |    |               |      |
|------------------|---------------------------|-----|----|----|---------------|------|
| $t_{\text{WUF}}$ | Lx Filter Time Deglitcher | 8.0 | 20 | 38 | $\mu\text{s}$ | (46) |
|------------------|---------------------------|-----|----|----|---------------|------|

**State Machine Timing**

|   |  |           |         |           |               |      |
|---|--|-----------|---------|-----------|---------------|------|
| $t_{\text{STOP}}$                       | Delay Between $\overline{\text{CS}}$ LOW-to-HIGH Transition (at End of the SPI Stop Command) and Stop Mode Activation  | –         | –       | 5.0       | $\mu\text{s}$ | (46) |
| $t_{\text{NRTOUT}}$                     | Normal Request Mode Timeout (see <a href="#">Figure 12</a> , page 22)  | 110       | 150     | 205       | ms            |      |
| $T_{\text{ON}}$                         | Cyclic Sense ON Time from Stop and Sleep Mode  | 130       | 200     | 270       | $\mu\text{s}$ | (47) |
|   | Cyclic Sense Accuracy  | -35       |         | +35       | %             | (46) |
| $t_{\text{S-ON}}$                       | Delay Between the SPI Command and HS/LS Turn On<br>• $9.0\text{ V} < V_{\text{SUP}} < 27\text{ V}$   | –         | –       | 10        | $\mu\text{s}$ | (48) |
| $t_{\text{S-OFF}}$                      | Delay Between the SPI Command and HS/LS Turn Off<br>• $9.0\text{ V} < V_{\text{SUP}} < 27\text{ V}$  | –         | –       | 10        | $\mu\text{s}$ | (48) |
| $t_{\text{SNR2N}}$                      | Delay Between Normal Request and Normal Mode After a Watchdog Trigger Command (Normal Request Mode)  | –         | –       | 10        | $\mu\text{s}$ | (46) |
| $t_{\text{WUCS}}$<br>$t_{\text{WUSPI}}$ | Delay Between $\overline{\text{CS}}$ Wake-up ( $\overline{\text{CS}}$ LOW to HIGH) in Stop Mode and:<br>• Normal Request Mode, VDD ON and $\overline{\text{RST}}$ HIGH<br>• First Accepted the SPI Command | 9.0<br>90 | 15<br>– | 80<br>N/A | $\mu\text{s}$ |      |
| $t_{2\overline{\text{CS}}}$             | Minimum Time Between Rising and Falling Edge on the $\overline{\text{CS}}$   | 4.0       | –       | –         | $\mu\text{s}$ |      |

**J2602 Deglitcher**

|                         |  |    |    |    |               |      |
|-------------------------|--|----|----|----|---------------|------|
| $t_{\text{J2602\_DEG}}$ | $V_{\text{SUP}}$ Deglitcher<br>• (DIS_J2602 = 0) | 35 | 50 | 70 | $\mu\text{s}$ | (49) |
|-------------------------|--|----|----|----|---------------|------|

**LIN Physical Layer: Driver Characteristics for Normal Slew Rate - 20.0kBit/sec According TO LIN Physical Layer Specification<sup>(50), (51)</sup>**

|    |   |       |   |       |  |  |
|----|---|-------|---|-------|--|--|
| D1 | Duty Cycle 1:<br>• $\text{TH}_{\text{REC}(\text{MAX})} = 0.744 * V_{\text{SUP}}$<br>• $\text{TH}_{\text{DOM}(\text{MAX})} = 0.581 * V_{\text{SUP}}$<br>• $\text{D1} = t_{\text{BUS\_REC}(\text{MIN})} / (2 * t_{\text{BIT}})$ , $t_{\text{BIT}} = 50\text{ } \mu\text{s}$ , $7.0\text{ V} \leq V_{\text{SUP}} \leq 18\text{ V}$ | 0.396 | – | –     |  |  |
| D2 | Duty Cycle 2:<br>• $\text{TH}_{\text{REC}(\text{MIN})} = 0.422 * V_{\text{SUP}}$<br>• $\text{TH}_{\text{DOM}(\text{MIN})} = 0.284 * V_{\text{SUP}}$<br>• $\text{D2} = t_{\text{BUS\_REC}(\text{MAX})} / (2 * t_{\text{BIT}})$ , $t_{\text{BIT}} = 50\text{ } \mu\text{s}$ , $7.6\text{ V} \leq V_{\text{SUP}} \leq 18\text{ V}$ | –     | – | 0.581 |  |  |

**Notes**

46. This parameter is guaranteed by process monitoring but not production tested.
47. This parameter is 100% tested on an Automatic Tester. However, since it has not been monitored during reliability stresses, Freescale does not guarantee this parameter during the product's life time.
48. Delay between turn on or off command (rising edge on  $\overline{\text{CS}}$ ) and HS or LS ON or OFF, excluding rise or fall time due to external load.
49. This parameter has not been monitoring during operating life test.
50. See [Figure 7](#), page 20.
51. See [Figure 8](#), page 20.

**Table 5. Dynamic Electrical Characteristics (continued)**

Characteristics noted under conditions  $5.5\text{ V} \leq V_{\text{SUP}} \leq 18\text{ V}$ ,  $-40\text{ }^{\circ}\text{C} \leq T_{\text{A}} \leq 125\text{ }^{\circ}\text{C}$  for the 33911 and  $-40\text{ }^{\circ}\text{C} \leq T_{\text{A}} \leq 85\text{ }^{\circ}\text{C}$  for the 34911, unless otherwise noted. Typical values noted reflect the approximate parameter mean at  $T_{\text{A}} = 25\text{ }^{\circ}\text{C}$  under nominal conditions, unless otherwise noted.

| Symbol | Characteristic | Min. | Typ. | Max. | Unit | Notes |
|--------|----------------|------|------|------|------|-------|
|--------|----------------|------|------|------|------|-------|

**LIN PHYSICAL LAYER: DRIVER CHARACTERISTICS FOR SLOW SLEW RATE - 10.4kBit/sec ACCORDING TO LIN PHYSICAL LAYER SPECIFICATION**<sup>(52), (53)</sup>

|    |  |       |   |       |  |  |
|----|--|-------|---|-------|--|--|
| D3 | Duty Cycle 3:<br><ul style="list-style-type: none"> <li><math>TH_{\text{REC}(\text{MAX})} = 0.778 * V_{\text{SUP}}</math></li> <li><math>TH_{\text{DOM}(\text{MAX})} = 0.616 * V_{\text{SUP}}</math></li> <li><math>D3 = t_{\text{BUS\_REC}(\text{MIN})} / (2 * t_{\text{BIT}})</math>, <math>t_{\text{BIT}} = 96\text{ }\mu\text{s}</math>, <math>7.0\text{ V} \leq V_{\text{SUP}} \leq 18\text{ V}</math></li> </ul> | 0.417 | — | —     |  |  |
| D4 | Duty Cycle 4:<br><ul style="list-style-type: none"> <li><math>TH_{\text{REC}(\text{MIN})} = 0.389 * V_{\text{SUP}}</math></li> <li><math>TH_{\text{DOM}(\text{MIN})} = 0.251 * V_{\text{SUP}}</math></li> <li><math>D4 = t_{\text{BUS\_REC}(\text{MAX})} / (2 * t_{\text{BIT}})</math>, <math>t_{\text{BIT}} = 96\text{ }\mu\text{s}</math>, <math>7.6\text{ V} \leq V_{\text{SUP}} \leq 18\text{ V}</math></li> </ul> | —     | — | 0.590 |  |  |

**LIN Physical Layer: Driver Characteristics for Fast Slew Rate**

|                    |                                       |   |    |   |                  |  |
|--------------------|---------------------------------------|---|----|---|------------------|--|
| SR <sub>FAST</sub> | LIN Fast Slew Rate (Programming Mode) | — | 20 | — | V/ $\mu\text{s}$ |  |
|--------------------|---------------------------------------|---|----|---|------------------|--|

**LIN Physical Layer: Characteristics and Wake-up Timings**<sup>(54)</sup>

|   |   |           |          |            |               |                  |
|---|---|-----------|----------|------------|---------------|------------------|
| $t_{\text{REC\_PD}}$<br>$t_{\text{REC\_SYM}}$       | Propagation Delay and Symmetry<br><ul style="list-style-type: none"> <li>Propagation Delay of Receiver, <math>t_{\text{REC\_PD}} = \text{MAX}(t_{\text{REC\_PDR}}, t_{\text{REC\_PDF}})</math></li> <li>Symmetry of Receiver Propagation Delay, <math>t_{\text{REC\_PDF}} - t_{\text{REC\_PDR}}</math></li> </ul> | —<br>-2.0 | 4.2<br>— | 6.0<br>2.0 | $\mu\text{s}$ | (55)             |
| $t_{\text{PROPWL}}$                                 | Bus Wake-up Deglitcher (Sleep and Stop Modes)   | 42        | 70       | 95         | $\mu\text{s}$ | (56), (60), (57) |
| $t_{\text{WAKE\_SLEEP}}$<br>$t_{\text{WAKE\_STOP}}$ | Bus Wake-up Event Reported<br><ul style="list-style-type: none"> <li>From Sleep Mode</li> <li>From Stop Mode</li> </ul>   | —<br>9.0  | —<br>27  | 1500<br>35 | $\mu\text{s}$ | (58)<br>(59)     |
| $t_{\text{TXDDOM}}$                                 | TXD Permanent Dominant State Delay  | 0.65      | 1.0      | 1.35       | s             |                  |

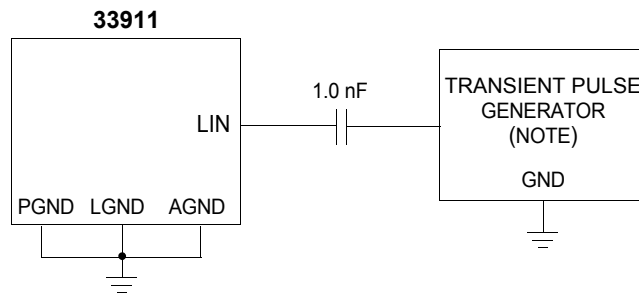
**Pulse Width Modulation Input Pin (PWMIN)**

|                    |  |   |    |   |     |      |
|--------------------|--|---|----|---|-----|------|
| $f_{\text{PWMIN}}$ | PWMIN pin<br><ul style="list-style-type: none"> <li>Max. frequency to drive HS and LS output pins</li> </ul> | — | 10 | — | kHz | (60) |
|--------------------|--|---|----|---|-----|------|

**Notes**

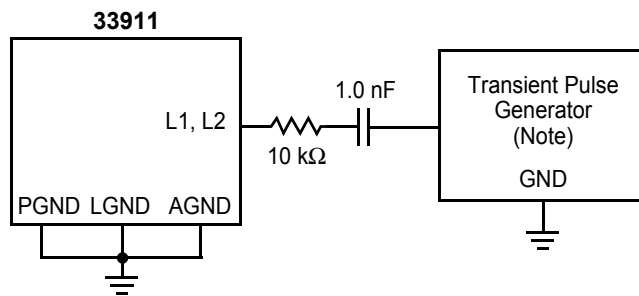
52. Bus load  $R_{\text{BUS}}$  and  $C_{\text{BUS}}$  1.0 nF / 1.0 k $\Omega$ , 6.8 nF / 660  $\Omega$ , 10 nF / 500  $\Omega$ . Measurement thresholds: 50% of TXD signal to LIN signal threshold defined at each parameter. See [Figure 6](#), page 20.
53. See [Figure 8](#), page 20.
54.  $V_{\text{SUP}}$  from 7.0 to 18 V, bus load  $R_{\text{BUS}}$  and  $C_{\text{BUS}}$  1.0 nF / 1.0 k $\Omega$ , 6.8 nF / 660  $\Omega$ , 10 nF / 500  $\Omega$ . Measurement thresholds: 50% of TXD signal to LIN signal threshold defined at each parameter. See [Figure 6](#), page 20.
55. See [Figure 9](#), page 21
56. See [Figure 10](#), page 21 for Sleep and [Figure 11](#), page 21 for Stop mode.
57. This parameter is tested on automatic tester but has not been monitoring during operating life test.
58. The measurement is done with 1.0  $\mu\text{F}$  capacitor and 0 mA current load on  $V_{\text{DD}}$ . The value takes into account the delay to charge the capacitor. The delay is measured between the bus wake-up threshold ( $V_{\text{BUSWU}}$ ) rising edge of the LIN bus and when  $V_{\text{DD}}$  reaches 3.0 V. See [Figure 10](#), page 21. The delay depends of the load and capacitor on  $V_{\text{DD}}$ .
59. In Stop mode, the delay is measured between the bus wake-up threshold ( $V_{\text{BUSWU}}$ ) and the falling edge of the  $\overline{\text{IRQ}}$  pin. See [Figure 11](#), page 21.
60. This parameter is guaranteed by process monitoring but not production tested.

## 5.4 Timing Diagrams



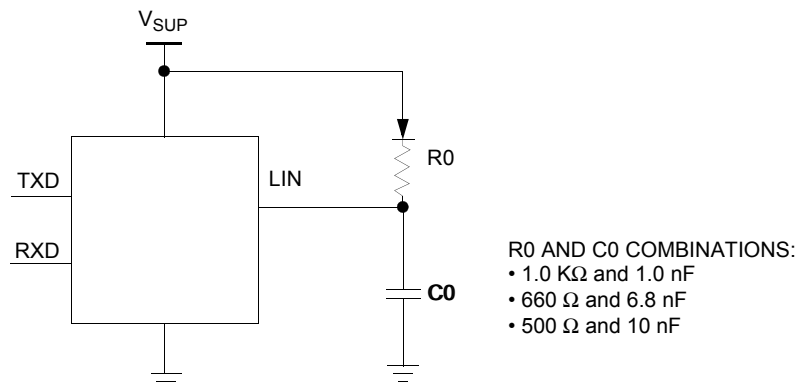
**Note** Waveform per ISO 7637-2. Test Pulses 1, 2, 3a, 3b.

**Figure 4. Test Circuit for Transient Test Pulses (LIN)**



**Note** Waveform per ISO 7637-2. Test Pulses 1, 2, 3a, 3b,.

**Figure 5. Test Circuit for Transient Test Pulses (Lx)**



**Figure 6. Test Circuit for LIN Timing Measurements**

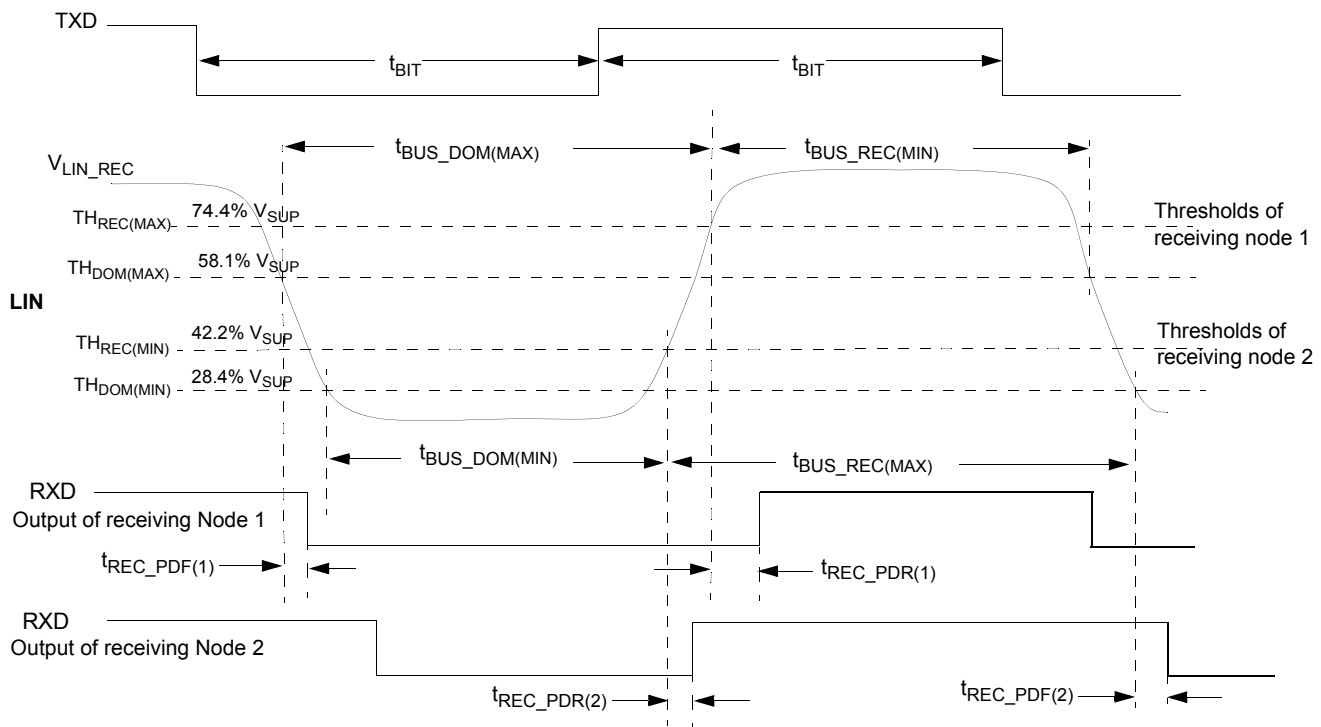


Figure 7. LIN Timing Measurements for Normal Slew Rate

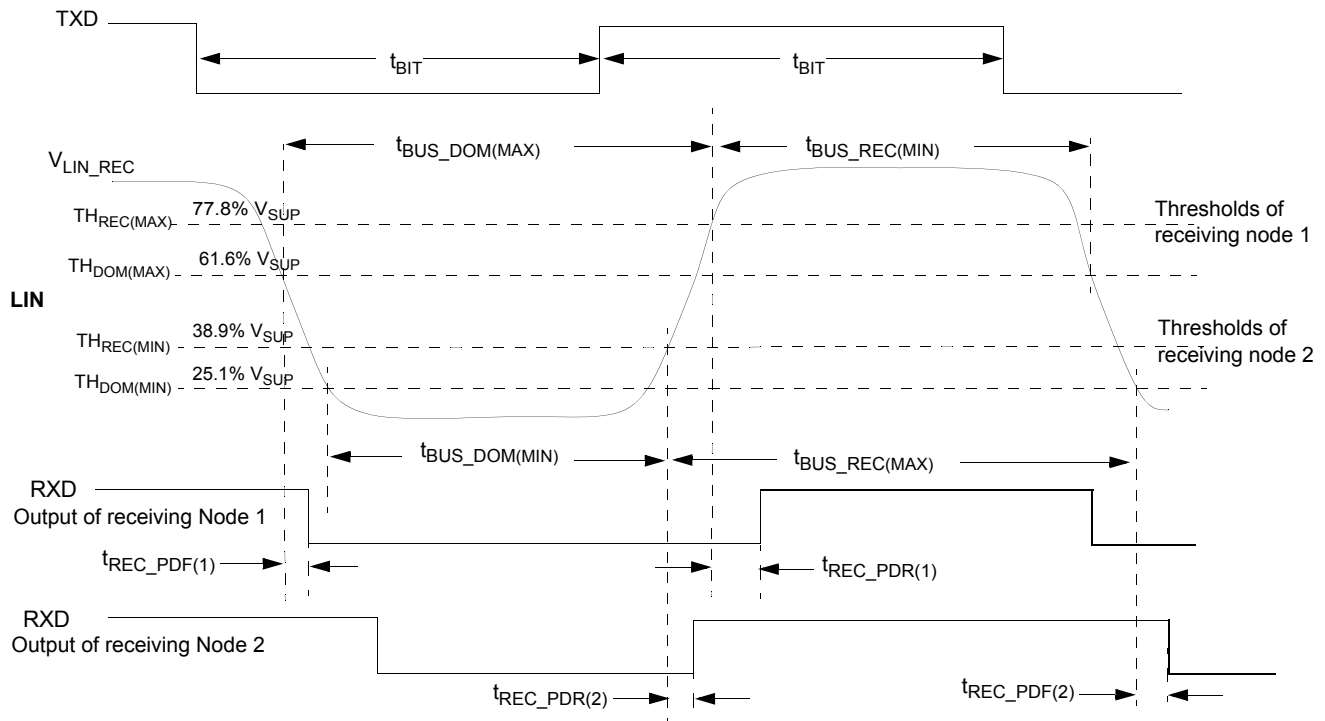
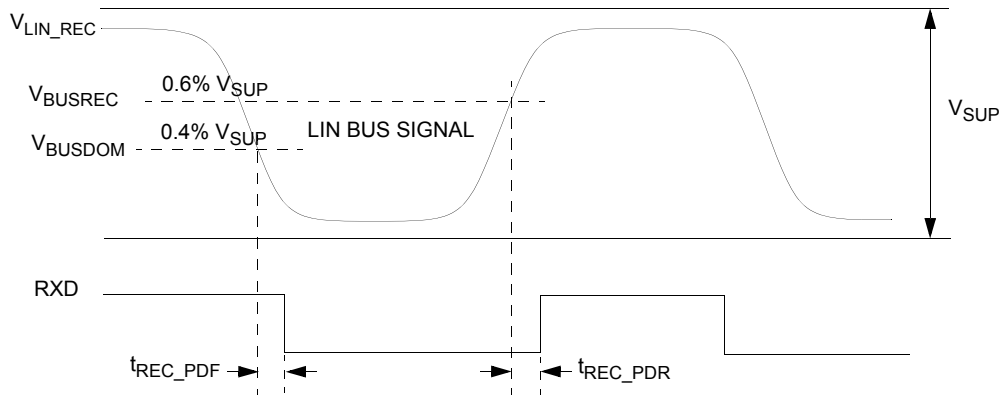
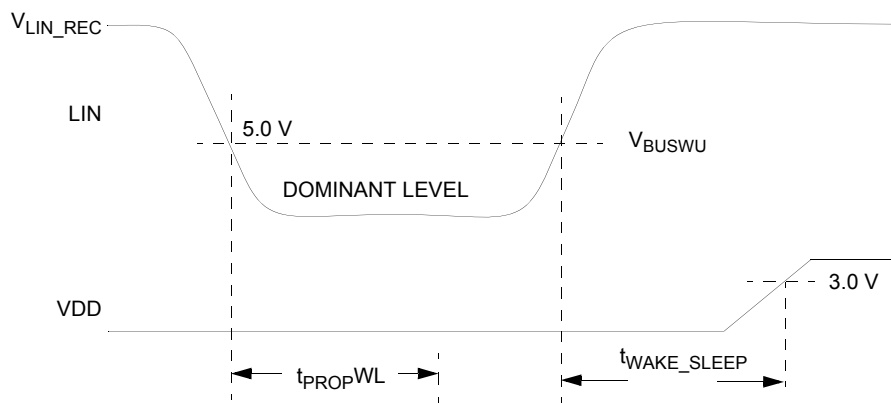


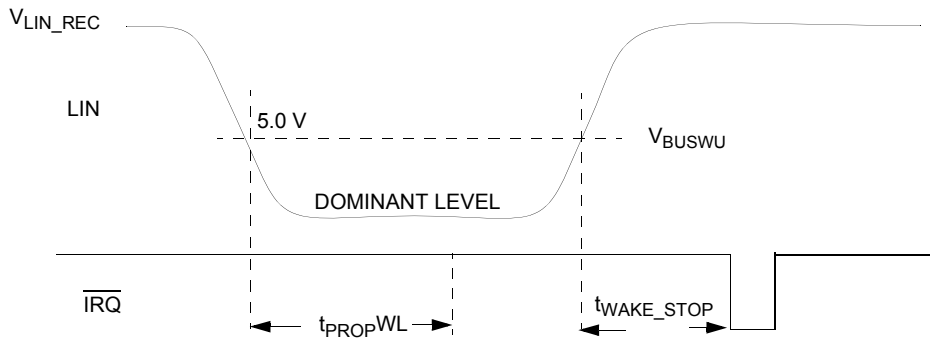
Figure 8. LIN Timing Measurements for Slow Slew Rate



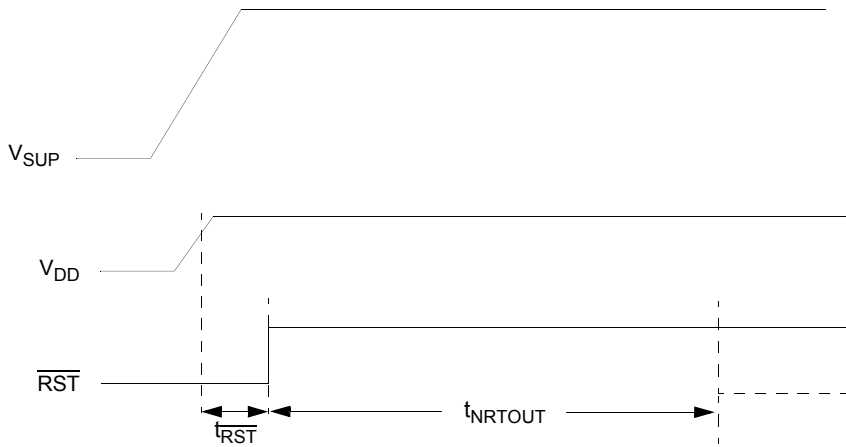
**Figure 9. LIN Receiver Timing**



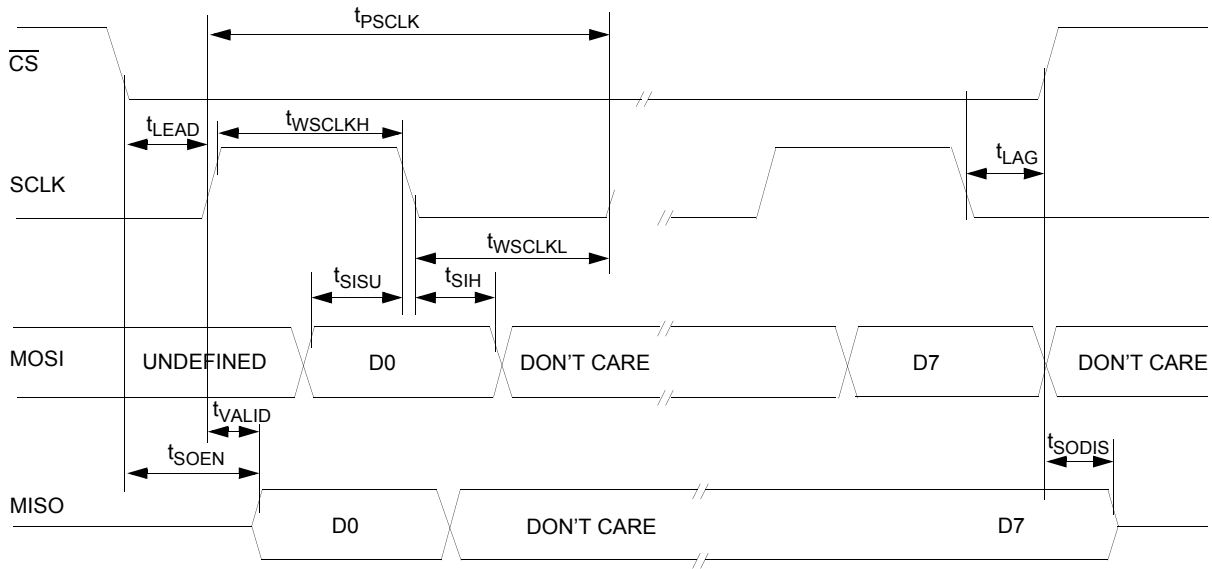
**Figure 10. LIN Wake-up Sleep Mode Timing**



**Figure 11. LIN Wake-up Stop Mode Timing**



**Figure 12. Power On Reset and Normal Request Timeout Timing**



**Figure 13. SPI Timing Characteristics**

# 6 Functional Description

## 6.1 INTRODUCTION

The 33911 was designed and developed as a highly integrated and cost-effective solution for automotive and industrial applications. The 33911 is well suited to perform relay control in applications such as a window lift, sunroof, etc. via the LIN bus, for automotive body electronics

Power switches are provided on the device configured as high-side and low-side outputs. Other ports are also provided, which include a current and voltage sense port and two wake-up capable pins. An internal voltage regulator provides power to a MCU device. Also included in this device is a LIN physical layer, which communicates using a single wire. This enables this device to be compatible with 3-wire bus systems, where one wire is used for communication, one for battery, and one for ground.

## 6.2 Functional Pin Description

See [Figure 1. 33911 Simplified Application Diagram](#), page 1, for a graphic representation of the various pins referred to in the following paragraphs. See the [33911 Pin Connections](#) on page 5 for a description of the pin locations in the package.

### 6.2.1 Receiver Output Pin (RXD)

The RXD pin is a digital output. It is the receiver output of the LIN interface and reports the state of the bus voltage: RXD Low when LIN bus is dominant, RXD High when LIN bus is recessive.

### 6.2.2 Transmitter Input Pin (TXD)

The TXD pin is a digital input. It is the transmitter input of the LIN interface and controls the state of the bus output (dominant when TXD is Low, recessive when TXD is High). This pin has an internal pull-up to force recessive state in case the input is left floating.

### 6.2.3 Lin Bus Pin (LIN)

The LIN pin represents the single-wire bus transmitter and receiver. It is suited for automotive bus systems and is compliant to the LIN bus specification 2.0, 2.1, and SAE J2602-2. The LIN interface is only active during Normal mode. See [Operating Modes Overview on page 28](#).

### 6.2.4 Serial Data Clock Pin (SCLK)

The SCLK pin is the SPI clock input. MISO data changes on the positive transition of the SCLK. MOSI is sampled on the negative edge of the SCLK.

### 6.2.5 Master Out Slave In Pin (MOSI)

The MOSI digital pin receives the SPI data from the MCU. This data input is sampled on the negative edge of SCLK.

### 6.2.6 Master In Slave Out Pin (MISO)

The MISO pin sends data to an SPI-enabled MCU. It is a digital tri-state output used to shift serial data to the microcontroller. Data on this output pin changes on the positive edge of the SCLK. When  $\overline{CS}$  is High, this pin remains in the high-impedance state.

### 6.2.7 Chip Select Pin ( $\overline{CS}$ )

$\overline{CS}$  is an active low digital input. It must remain low during a valid SPI communication and allow for several devices to be connected in the same SPI bus without contention. A rising edge on  $\overline{CS}$  signals the end of the transmission and the moment the data shifted in is latched. A valid transmission must consist of 8 bits only. While in STOP mode, a low-to-high level transition on this pin generates a wake-up condition for the 33911.

## 6.2.8 Analog Multiplexer Pin (ADOUT0)

The ADOUT0 pin can be configured via the SPI to allow the MCU A/D converter to read the several inputs of the Analog Multiplexer, including the VSENSE, L1, L2 input voltages, and the internal junction temperature.

## 6.2.9 PWM Input Control Pin (PWMIN)

This digital input can control the high-side and low-sides drivers in Normal Request and Normal mode. To enable PWM control, the MCU must perform a write operation to the High-side Control Register (HSCR) or the Low-side Control Register (LSCR). This pin has an internal 20  $\mu$ A current pull-up.

## 6.2.10 Reset pin ( $\overline{\text{RST}}$ )

This bidirectional pin is used to reset the MCU in case the 33911 detects a reset condition, or to inform the 33911 the MCU has just been reset. After release of the  $\overline{\text{RST}}$  pin, Normal Request mode is entered. The  $\overline{\text{RST}}$  pin is an active low filtered input and output formed by a weak pull-up and a switchable pull-down structure, which allows this pin to be shorted either to  $V_{\text{DD}}$  or to GND during software development, without the risk of destroying the driver.

## 6.2.11 Interrupt Pin ( $\overline{\text{IRQ}}$ )

The  $\overline{\text{IRQ}}$  pin is a digital output used to signal events or faults to the MCU while in Normal and Normal Request mode or to signal a wake-up from Stop mode. This active low output transitions to high only after the interrupt is acknowledged by a SPI read of the respective status bits.

## 6.2.12 Watchdog Configuration Pin (WDCONF)

The WDCONF pin is the configuration pin for the internal watchdog. A resistor can be connected to this pin to configure the window watchdog period. When connected directly to ground, the watchdog is disabled. When this pin is left open, the watchdog period is fixed to its lower precision internal default value (150 ms typical).

## 6.2.13 Ground Connection Pins (AGND, PGND, LGND)

The AGND, PGND and LGND pins are the Analog and Power ground pins. The AGND pin is the ground reference of the voltage regulator. The PGND and LGND pins are used for high current load return as in the relay-drivers and LIN interface pin. Note: PGND, AGND, and LGND pins must be connected together.

## 6.2.14 Low-side Pins (LS1 and LS2)

LS1 and LS2 are the low-side driver outputs. Those outputs are short-circuit protected and include active clamp circuitry to drive inductive loads. Due to the energy clamp voltage on this pin, it can raise above the battery level when switched off. The switches are controlled through the SPI and can be configured to respond to a signal applied to the PWMIN input pin.

Both low-side switches are protected against overheating. In case of VS1 disconnection and the low-sides are still supplied by  $V_{\text{BAT}}$  through a load, both low-sides have a VDS voltage equal to the clamping value, as stated in the specification.

## 6.2.15 Digital/Analog Pins (L1 and L2)

The Lx pins are multi purpose inputs. They can be used as digital inputs, which can be sampled by reading the SPI and used for wake-up when 33911 is in low-power mode or used as analog inputs for the analog multiplexer. When used to sense voltage outside the module, a 33 k $\Omega$  series resistor must be used on each input. When used as wake-up inputs, L1 and L2 can be configured to operate in cyclic-sense mode. In this mode, the high-side switch is configured to be periodically turned on and sample the wake-up inputs. If a state change is detected between two cycles a wake-up is initiated. The 33911 can also wake-up from Stop or Sleep by a simple state change on L1 and L2. When used as analog inputs, the voltage present on the Lx pins is scaled down by an selectable internal voltage divider and can be routed to the ADOUT0 output through the analog multiplexer.

Note: If an Lx input is selected in the analog multiplexer, it is disabled as a digital input and remains disabled in low-power mode. No wake-up feature is available in this condition.

When an Lx input is not selected in the analog multiplexer, the voltage divider is disconnected from this input.



## 6.2.16 High-side Output Pin (HS1)

This high-side switch is able to drive loads such as relays or lamps. Its structure is connected to the VS2 supply pin. The pin is short-circuit protected and also protected against overheating. HS1 is controlled by the SPI and can respond to a signal applied to the PWMIN input pin. The HS1 output can also be used during Low-power mode for the cyclic-sense of the wake inputs.

## 6.3 Power Supply Pins (VS1 and VS2)

These are the battery level voltage supply pins. In an application, VS1 and VS2 pins must be protected against reverse battery connection and negative transient voltages with external components. These pins sustain standard automotive voltage conditions such as a load dump at 40 V. The high-side switch (HS1) is supplied by the VS2 pin. All other internal blocks are supplied by the VS1 pin.

### 6.3.1 Voltage Sense Pin (VSense)

This input can be connected directly to the battery line. It is protected against battery reverse connection. The voltage present in this input is scaled down by an internal voltage divider, and can be routed to the ADOUT0 output pin and used by the MCU to read the battery voltage. The ESD structure on this pin allows for excursion up to +40 V and down to -27 V, allowing this pin to be connected directly to the battery line. It is strongly recommended to connect a 10 k $\Omega$  resistor in series with this pin for protection purposes.

### 6.3.2 +5.0 V Main Regulator Output Pin (VDD)

An external capacitor has to be placed on the VDD pin to stabilize the regulated output voltage. The VDD pin is intended to supply a microcontroller. The pin is current limited against shorts to GND and overtemperature protected. During Stop mode, the voltage regulator does not operate with its full drive capabilities and the output current is limited. During Sleep mode, the regulator output is completely shutdown.

# 7 Functional Device Operations

## 7.1 Operational Modes

### 7.1.1 Introduction

The 33911 offers three main operating modes: Normal (Run), Stop, and Sleep (Low-power). In Normal mode, the device is active and is operating under normal application conditions. The Stop and Sleep modes are Low-power modes with wake-up capabilities. In Stop mode, the voltage regulator still supplies the MCU with  $V_{DD}$  (limited current capability), while in Sleep mode the voltage regulator is turned off ( $V_{DD} = 0$  V). Wake-up from Stop mode is initiated by a wake-up interrupt. Wake-up from Sleep mode is done by a reset and the voltage regulator is turned back on. The selection of the different modes is controlled by the MOD1:2 bits in the Mode Control Register (MCR). [Figure 14](#) describes how transitions are done between the different operating modes. [Table 6](#), gives an overview of the operating modes.

### 7.1.2 Reset Mode

The 33911 enters the Reset mode after a power up. In this mode, the  $\overline{RST}$  pin is low for 1.0 ms (typical value). After this delay, it enters the Normal Request mode and the  $\overline{RST}$  pin is driven high. The Reset mode is entered if a reset condition occurs ( $V_{DD}$  low, watchdog trigger fail, after wake-up from Sleep mode, Normal Request mode timeout occurs).

### 7.1.3 Normal Request Mode

This is a temporary mode automatically accessed by the device after the Reset mode, or after a wake-up from Stop mode. In Normal Request mode, the VDD regulator is ON, the RESET pin is High, and the LIN is operating in RX Only mode. As soon as the device enters in the Normal Request mode an internal timer is started for 150 ms (typical value). During these 150 ms, the MCU must configure the Timing Control Register (TIMCR) and the Mode Control Register (MCR) with MOD2 and MOD1 bits set = 0, to enter the Normal mode. If within the 150 ms timeout, the MCU does not command the 33911 to Normal mode, it enters in Reset mode. If the WDCONF pin is grounded to disable the watchdog function, it goes directly in Normal mode after the Reset mode.

### 7.1.4 Normal Mode

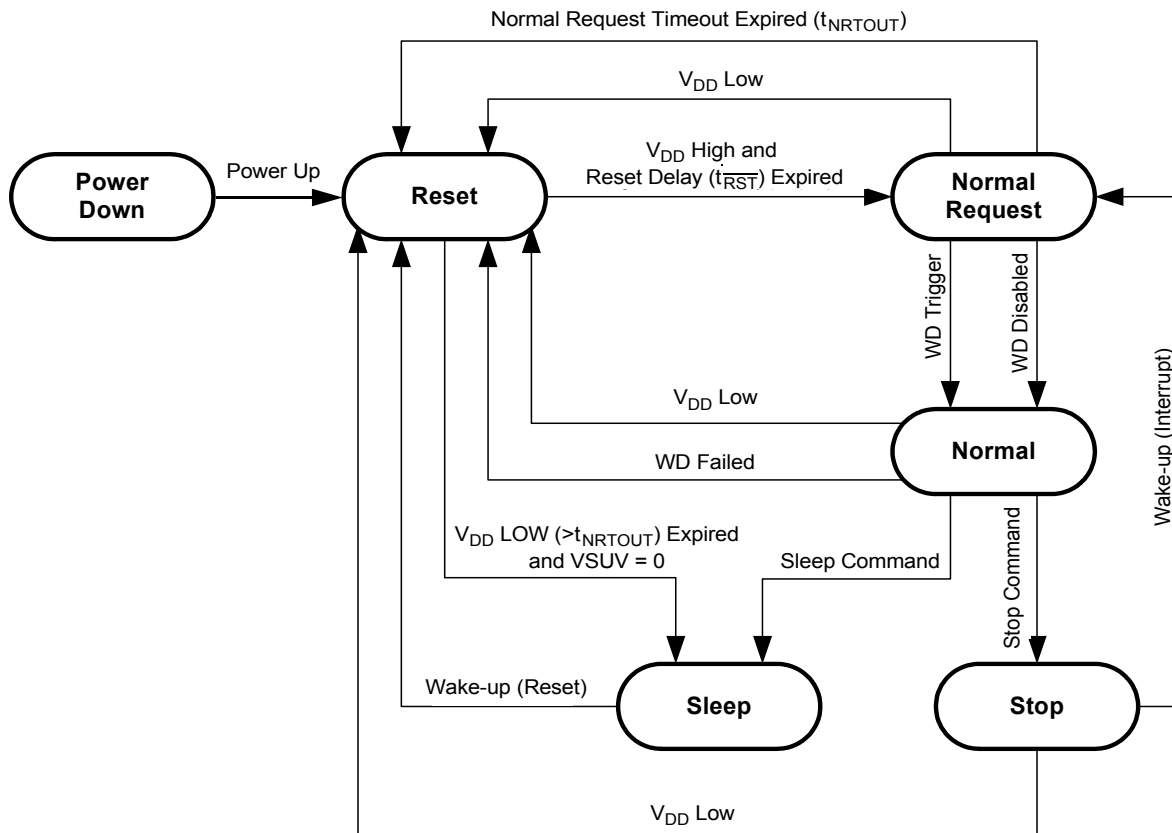
In Normal mode, all 33911 functions are active and can be controlled by the SPI interface and the PWMIN pin. The  $V_{DD}$  regulator is ON and delivers its full current capability. If an external resistor is connected between the WDCONF pin and the Ground, the window watchdog function is enabled. The wake-up inputs (L1 and L2) can be read as digital inputs or have its voltage routed through the analog-multiplexer. The LIN interface has slew rate and timing compatible with the LIN protocol specification 2.0, 2.1, and SAEJ2602. The LIN bus can transmit and receive information. The high-side and low-side switches are active and have PWM capability according to the SPI configuration. The interrupts are generated to report failures for  $V_{SUP}$  over/undervoltage, thermal shutdown, or thermal shutdown prewarning on the main regulator.

### 7.1.5 Sleep Mode

The Sleep mode is a Low-power mode. From Normal mode, the device enters into Sleep mode by sending one SPI command through the Mode Control Register (MCR), or ( $V_{DD}$  low > 150 ms) with  $V_{SUV} = 0$ . When in Reset mode, a  $V_{DD}$  undervoltage condition with no  $V_{SUP}$  undervoltage ( $V_{SUV} = 0$ ) sends the device to Sleep mode. All blocks are in their lowest power consumption condition. Only some wake-up sources (wake-up inputs with or without cyclic sense, forced wake-up and LIN receiver) are active. The 5.0 V regulator is OFF. The internal low-power oscillator may be active if the IC is configured for cyclic-sense. In this condition, the high-side switch is turned on periodically and the wake-up inputs are sampled. Wake-up from Sleep mode is similar to a power-up. The device goes in Reset mode except the SPI reports the wake-up source and the BATFAIL flag is not set.

### 7.1.6 Stop Mode

The Stop mode is the second low-power mode, but in this case the 5.0 V regulator is ON with limited current drive capability. The application MCU is always supplied while the 33911 is operating in Stop mode. The device can enter into Stop mode only by sending the SPI command. When the application is in this mode, it can wake-up from the 33911 side (for example: cyclic sense, force wake-up, LIN bus, wake inputs) or the MCU side (CS, RST pins). Wake-up from Stop mode transitions the 33911 to Normal Request mode and generates an interrupt except if the wake-up event is a low to high transition on the  $\overline{CS}$  pin or comes from the  $\overline{RST}$  pin.



**Legend**

- WD: Watchdog
- WD Disabled: Watchdog disabled (WDCONF pin connected to GND)
- WD Trigger: Watchdog is triggered by SPI command
- WD Failed: No watchdog trigger or trigger occurs in closed window
- Stop Command: Stop command sent via SPI
- Sleep Command: Sleep command sent via SPI
- Wake-up from Stop mode: L1 or L2 state change, LIN bus wake-up, Periodic wake-up,  $\overline{CS}$  rising edge wake-up or  $\overline{RST}$  wake-up.
- Wake-up from Sleep mode: L1 or L2 state change, LIN bus wake-up, Periodic wake-up.

**Figure 14. Operating Modes and Transitions**

**Table 6. Operating Modes Overview**

| Function           | Reset Mode                        | Normal Request Mode               | Normal Mode                       | Stop Mode            | Sleep Mode           |
|--------------------|-----------------------------------|-----------------------------------|-----------------------------------|----------------------|----------------------|
| VDD                | Full                              | Full                              | Full                              | Stop                 | -                    |
| LSx                | -                                 | SPI/PWM <sup>(61)</sup>           | SPI/PWM                           | -                    | -                    |
| HS1                | -                                 | SPI/PWM <sup>(61)</sup>           | SPI/PWM                           | Note <sup>(62)</sup> | Note <sup>(63)</sup> |
| Analog Mux         | -                                 | SPI                               | SPI                               | -                    | -                    |
| Lx                 | -                                 | Inputs                            | Inputs                            | Wake-up              | Wake-up              |
| LIN                | -                                 | Rx-Only                           | Full/Rx-Only                      | Rx-Only/Wake-up      | Wake-up              |
| Watchdog           | -                                 | 150 ms (typ.) timeout             | On <sup>(64)</sup> /Off           | -                    | -                    |
| Voltage Monitoring | V <sub>SUP</sub> /V <sub>DD</sub> | V <sub>SUP</sub> /V <sub>DD</sub> | V <sub>SUP</sub> /V <sub>DD</sub> | V <sub>DD</sub>      | -                    |

**Notes**

- 61. Operation can be controlled by the PWMIN input.
- 62. HS1 switch can be configured for cyclic sense operation in Stop mode.
- 63. HS1 switch can be configured for cyclic sense operation in Sleep mode.
- 64. Windowing operation when enabled by an external resistor.

## 7.1.7 Interrupts

Interrupts are used to signal a microcontroller a peripheral needs to be serviced. The interrupts which can be generated, change according to the operating mode. While in Normal and Normal Request modes, the 33911 signals through interrupts special conditions which may require a MCU software action. Interrupts are not generated until all pending wake-up sources are read in the Interrupt Source Register (ISR).

While in Stop mode, interrupts are used to signal wake-up events. Sleep mode does not use interrupts. Wake-up is performed by powering-up the MCU. In Normal and Normal Request mode the wake-up source can be read by SPI. The interrupts are signaled to the MCU by a low logic level of the IRQ pin, which remains low until the interrupt is acknowledged by a SPI read command of the ISR register. The IRQ pin is then driven high. Interrupts are only asserted while in Normal, Normal Request, and Stop mode. Interrupts are not generated while the RST pin is low. The following is a list of the interrupt sources in Normal and Normal Request modes. Some of these can be masked by writing to the SPI - Interrupt Mask Register (IMR).

### 7.1.7.1 Low-voltage Interrupt

Signals when the supply line (VS1) voltage drops below the VSUV threshold (V<sub>SUV</sub>).

### 7.1.7.2 High-voltage Interrupt

Signals when the supply line (VS1) voltage increases above the VSOV threshold (V<sub>SOV</sub>).

### 7.1.7.3 Overtemperature Prewarning

This signal is when the 33911 temperature has reached the pre-shutdown warning threshold. It is used to warn the MCU an overtemperature shutdown in the main 5.0 V regulator is imminent.

### 7.1.7.4 LIN Overtemperature Shutdown/TXD Stuck At Dominant/RXD Short-circuit

These signal fault conditions within the LIN interface cause the LIN driver to be disabled. To restart the operation, the fault must be removed and TXD must go recessive.

### 7.1.7.5 High-side Overtemperature Shutdown

Signals a shutdown in the high-side output.

## 7.1.7.6 Low-side Overtemperature Shutdown

This signals a shutdown in the low-side outputs.

## 7.1.8 Reset

To reset a MCU the 33911 drives the  $\overline{\text{RST}}$  pin low for the time the reset condition lasts. After the reset source is removed, the state machine drives the  $\overline{\text{RST}}$  output low for at least 1.0 ms (typical value) before driving it high. In the 33911, four main reset sources exist.

### 7.1.8.1 5.0 V Regulator Low-voltage-Reset ( $V_{\overline{\text{RSTTH}}}$ )

The 5.0 V regulator output  $V_{\text{DD}}$  is continuously monitored against brown outs. If the supply monitor detects the voltage at the VDD pin has dropped below the reset threshold  $V_{\overline{\text{RSTTH}}}$  and the 33911 issues a reset. In case of an overtemperature, the voltage regulator is disabled and the voltage monitoring issues a  $V_{\text{DDOT}}$  Flag independently of the  $V_{\text{DD}}$  voltage.

### 7.1.8.2 Window Watchdog Overflow

If the watchdog counter is not properly serviced while its window is open, the 33911 detects an MCU software run-away and resets the microcontroller.

### 7.1.8.3 Wake-up From Sleep Mode

During Sleep mode, the 5.0 V regulator is not active, hence all wake-up requests from Sleep mode require a power-up/reset sequence.

### 7.1.8.4 External Reset

The 33911 has a bidirectional reset pin which drives the device to a safe state (same as Reset mode) for as long as this pin is held low. The  $\overline{\text{RST}}$  pin must be held low long enough to pass the internal glitch filter and get recognized by the internal reset circuit. This functionality is also active in Stop mode. After the  $\overline{\text{RST}}$  pin is released, there is no extra  $t_{\overline{\text{RST}}}$  to be considered.

## 7.1.9 Wake-up Capabilities

Once entered into one of the Low-power modes (Sleep or Stop), only wake-up sources can bring the device into Normal mode operation. In Stop mode, a wake-up is signaled to the MCU as an interrupt, while in Sleep mode the wake-up is performed by activating the 5.0 V regulator and resetting the MCU. In both cases the MCU can detect the wake-up source by accessing the SPI registers and reading the Interrupt Source Register. There is no specific SPI register bit to signal a CS wake-up or external reset. If necessary this condition is detected by excluding all other possible wake-up sources.

### 7.1.9.1 Wake-up from Wake-up Inputs (L1 and L2) with Cyclic Sense Disabled

The wake-up lines are dedicated to sense state changes of external switches and wake-up the MCU (in Sleep or Stop mode). To select and activate direct wake-up from Lx inputs, the Wake-up Control Register (WUCR) must be configured with appropriate LxWE inputs enabled or disabled. The wake-up input's state is read through the Wake-up Status Register (WUSR). Lx inputs are also used to perform cyclic-sense wake-up.

Note: Selecting an Lx input in the analog multiplexer before entering Low-power mode disables the wake-up capability of the Lx input

### 7.1.9.2 Wake-up from Wake-up Inputs (L1 and L2) with Cyclic Sense Timer Enabled

The SBCLIN can wake-up at the end of a cyclic sense period if on one of the two wake-up input lines (L1-L2) a state change occurs. The HS1 switch can be activated in Sleep or Stop modes from an internal timer. Cyclic sense and force wake-up are exclusive. If cyclic sense is enabled, the force wake-up can not be enabled.

To select and activate the cyclic sense wake-up from Lx inputs, before entering in Low-power modes (Stop or Sleep modes), the following SPI set-up has to be performed:

In WUCR: select the Lx input to WU-enable.

In HSCR: enable the desired  $\overline{\text{HS1}}$ .

- In TIMCR: select the  $\overline{\text{CS/WD}}$  bit and determine the cyclic sense period with CYSTx bits.
- Perform Go to Sleep/Stop command.

### 7.1.9.3 Forced Wake-up

The 33911 can wake-up automatically after a predetermined time spent in Sleep or Stop mode. Cyclic sense and Forced wake-up are exclusive. If Forced wake-up is enabled, the Cyclic Sense can not be enabled.

To determine the wake-up period, the following SPI set-up has to be sent before entering in low-power modes:

- In TIMCR: select the CS/WD bit and determine the Low-power mode period with CYSTx bits.
- In HSCR: The HS1 bit must be disabled.

### 7.1.9.4 $\overline{\text{CS}}$ Wake-up

While in Stop mode, a rising edge on the  $\overline{\text{CS}}$  causes a wake-up. The  $\overline{\text{CS}}$  wake-up does not generate an interrupt, and is not reported on SPI.

### 7.1.9.5 LIN Wake-up

While in the Low-power mode, the 33911 monitors the activity on the LIN bus. A dominant pulse larger than  $t_{\text{PROPWL}}$  followed by a dominant to recessive transition causes a LIN wake-up. This behavior protects the system from a short to ground bus condition. The bit RXONLY = 1 from LINCR Register disables the LIN wake-up from Stop mode.

### 7.1.9.6 $\overline{\text{RST}}$ Wake-up

While in Stop mode, the 33911 can wake-up when the  $\overline{\text{RST}}$  pin is held low long enough to pass the internal glitch filter. Then, the 33911 changes to Normal Request or Normal modes depending on the WDCONF pin configuration. The  $\overline{\text{RST}}$  wake-up does not generate an interrupt and is not reported via SPI.

From Stop mode, the following wake-up events can be configured:

- Wake-up from Lx inputs without cyclic sense
- Cyclic sense wake-up inputs
- Force wake-up
- $\overline{\text{CS}}$  wake-up
- LIN wake-up
- $\overline{\text{RST}}$  wake-up

From Sleep mode, the following wake-up events can be configured:

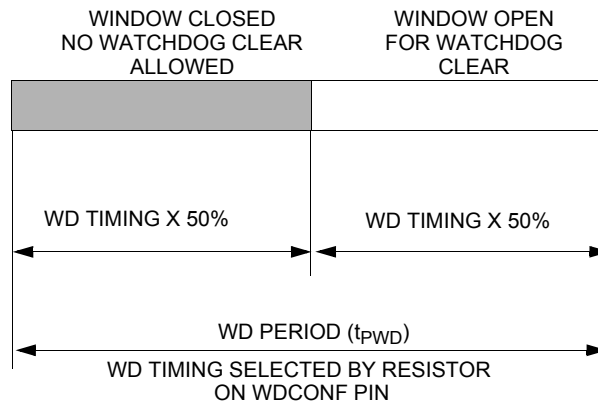
- Wake-up from Lx inputs without cyclic sense
- Cyclic sense wake-up inputs
- Force wake-up
- LIN wake-up

### 7.1.9.7 Window Watchdog

The 33911 includes a configurable window watchdog which is active in Normal mode. The watchdog can be configured by an external resistor connected to the WDCONF pin. The resistor is used to achieve higher precision in the timebase used for the watchdog.

SPI clears are performed by writing through the SPI in the MOD bits of the Mode Control Register (MCR).

During the first half of the SPI timeout, watchdog clears are not allowed, but after the first half of the SPI timeout window, the clear operation opens. If a clear operation is performed outside the window, the 33911 resets the MCU, in the same way as when the watchdog overflows.



**Figure 15. Window Watchdog Operation**

To disable the watchdog function in Normal mode the user must connect the WDCONF pin to ground. This measure effectively disables Normal Request mode. The WDOFF bit in the Watchdog Status Register (WDSR) is set. This condition is only detected during Reset mode. If neither a resistor nor a connection to ground is detected, the watchdog falls back to the internal lower precision timebase of 150 ms (typ.) and signals the faulty condition through the Watchdog Status Register (WDSR).

The watchdog timebase can be further divided by a prescaler which can be configured by the Timing Control Register (TIMCR). During Normal Request mode, the window watchdog is not active but there is a 150 ms (typ.) timeout for leaving the Normal Request mode. In case of a timeout, the 33911 enters into Reset mode, resetting the microcontroller before entering again into Normal Request mode.

## 7.1.10 Faults Detection Management

The 33911 has the capability to detect faults like an over or undervoltage on VS1, TxD in permanent Dominant State, Overtemperature on HS, LIN. It is able to take corrective actions accordingly. Most of faults are monitoring through the SPI and the Interrupt pin. The microcontroller can also take actions. The following table summarizes all fault sources the device is able to detect with associated conditions. The status for a device recovery and the SPI or pins monitoring are also described.

**Table 7. Fault Detection Management Conditions**

| Block        | FAULT                        | MODE                       | CONDITION                                    | FALLOUT  | RECOVERY  | MONITORING <sup>(66)</sup> |                                      |
|--------------|------------------------------|----------------------------|--|--|---|----------------------------|--------------------------------------|
|              |                              |                            |  |  |   | REG (Flag, Bit)            | INTERRUPT                            |
| Power Supply | Battery Fail                 | All modes                  | $V_{SUP} < 3.0\text{ V}$ (typ) then power-up | -  | Condition gone  | VSR (BATFAIL, 0)           | -                                    |
|              | $V_{SUP}$ Overvoltage        | Normal, Normal Request     | $V_{SUP} > 19.25\text{ V}$ (typ)             | In Normal mode, HS and LS shutdown if bit HVSE=1 (reg MCR) | Condition gone, to re-enable HS or LS write to HSCR or LSCR registers | VSR (VSOV, 3)              | IRQ low + ISR (0101) <sup>(67)</sup> |
|              | $V_{SUP}$ Undervoltage       |                            | $V_{SUP} < 6.0\text{ V}$ (typ)               | -  | Condition gone  | VSR (VSUV, 2)              | IRQ low + ISR (0101)                 |
|              | $V_{DD}$ Undervoltage        | All except Sleep           | $V_{DD} < 4.5\text{ V}$ (typ)                | Reset <sup>(65)</sup>                                      | Condition gone  | -                          | -                                    |
|              | $V_{DD}$ Overtemp Prewarning | All except Low-power modes | Temperature $> 115\text{ °C}$ (typ)          | -  | Condition gone  | VSR (VDDOT, 1)             | IRQ low + ISR (0101)                 |
|              | $V_{DD}$ Overtemperature     |                            | Temperature $> 170\text{ °C}$ (typ)          | VDD shutdown, Reset then Sleep                             | Condition gone  | -                          | -                                    |
| LIN          | Rxd Pin Short Circuit        | Normal, Normal Request     | RXD pin shorted to GND or 5.0 V              | LIN trans shutdown   | LIN transmitter re-enabled once the condition is gone and TXD is high | LINSR, (RXSHORT, 3)        | IRQ low + ISR (0100) <sup>(67)</sup> |
|              | Txd Pin Permanent Dominant   |                            | TXD pin low for more than 1.0s (typ)         | LIN transmitter shutdown                                   |   | LINSR (TXDOM, 2)           |                                      |
|              | Lin Driver Overtemperature   |                            | Temperature $> 160\text{ °C}$ (typ)          | LIN transmitter shutdown                                   |   | LINSR (LINOT, 1)           |                                      |

**Table 7. Fault Detection Management Conditions**

| Block     | FAULT                            | MODE                   | CONDITION   | FALLOUT   | RECOVERY   | MONITORING <sup>(66)</sup> |                                      |
|-----------|----------------------------------|------------------------|---|---|--|----------------------------|--------------------------------------|
|           |                                  |                        |   |   |  | REG (Flag, Bit)            | INTERRUPT                            |
| High-side | High-side Driver Overtemperature | Normal, Normal Request | Temperature > 160 °C (typ)  | HS1 thermal shutdown                                | Condition gone, to re-enable HS1 write to HSCR reg | All flags in HSSR are set  | IRQ low + ISR (0010) <sup>(67)</sup> |
|           | Hs1 Open Load Detection          |                        | Current through HS1 < 5.0 mA (typ)  | -   | Condition gone                                     | HSSR (HS1OP,1)             | -                                    |
|           | Hs1 Overcurrent                  |                        | Current through HS1 tends to rise above the current limit 60 mA (min)                   | HS1 on with limited current capability 60 mA (min)  |  | HSSR (HS1CL,0)             |                                      |
| Low-side  | Low-side Drivers Overtemperature | Normal, Normal Request | Temperature > 160 °C (typ)  | Both LS thermal shutdown                            | Condition gone, to re-enable LS write to LSCR reg  | All flags in LSSR are set  | IRQ low + ISR (0011) <sup>(67)</sup> |
|           | Ls1 Open Load                    |                        | Current through LSx < 7.5 mA (typ)  | -   | -  | LSSR (LS1OP,1)             | -                                    |
|           | Ls2 Open Load                    |                        |   |   |  | LSSR (LS2OP,3)             |                                      |
|           | Ls1 Overcurrent                  |                        | Current through LSx tends to rise above the current limit 160 mA (min)                  | LSx on with limited current capability 160 mA (min) | LSSR (LS1CL,0)                                     |                            |                                      |
|           | Ls2 Overcurrent                  |                        |   |   | LSSR (LS2CL,2)                                     |                            |                                      |
| Watchdog  | Normal Request Time-out Expired  | Normal Request         | The MCU did not command the device to Normal mode within the 150 ms timeout after reset | Reset   | -  | -                          |                                      |
|           | Watchdog Timeout                 | Normal                 | WD timeout or WD clear within the window closed   | Reset   | -  | WDSR (WDTO, 3)             | -                                    |
|           | Watchdog Error                   | Normal                 | WDCONF pin is floating  | WD internal lower precision timebase 150 ms (typ)   | Connect WDCONF to a resistor or to GND             | WDSR (WDERR, 2)            | -                                    |

**Notes**

- 65. When in Reset mode a VDD undervoltage condition combined with no V<sub>SUP</sub> undervoltage (VSUV=0) sends the device to Sleep mode.
- 66. Registers to be read when back in Normal Request or Normal mode depending on the fault. Interrupts only generated in Normal, Normal Request and Stop modes
- 67. Unless masked, If masked IRQ remains high and the ISR flags are not set.

### 7.1.11 Temperature Sense Gain

The analog multiplexer can be configured via the SPI to allow the ADOUT0 pin to deliver the internal junction temperature of the device. [Table 16](#) illustrates the internal chip temp sense obtained per characterization at 3 temperatures with 3 different lots and 30 samples.





Figure 16. Temperature Sense Gain

## 7.1.12 High-side Output Pins HS1

This output is one high-side driver intended to drive small resistive loads or LEDs incorporating the following features:

- PWM capability (software maskable)
- Open load detection
- Current limitation
- Overtemperature shutdown (with maskable interrupt)
- High-voltage shutdown (software maskable)
- Cyclic sense

The high-side switch is controlled by the bit HS1 in the High-side Control Register (HSCR).

### 7.1.12.1 PWM Capability (direct access)

The high-side driver offers additional (to the SPI control) direct control via the PWMIN pin. If the bit HS1 and PWMHS1 are set in the High-side Control Register (HSCR), then the HS1 driver is turned on if the PWMIN pin is high and turned off if the PWMIN pin is low.

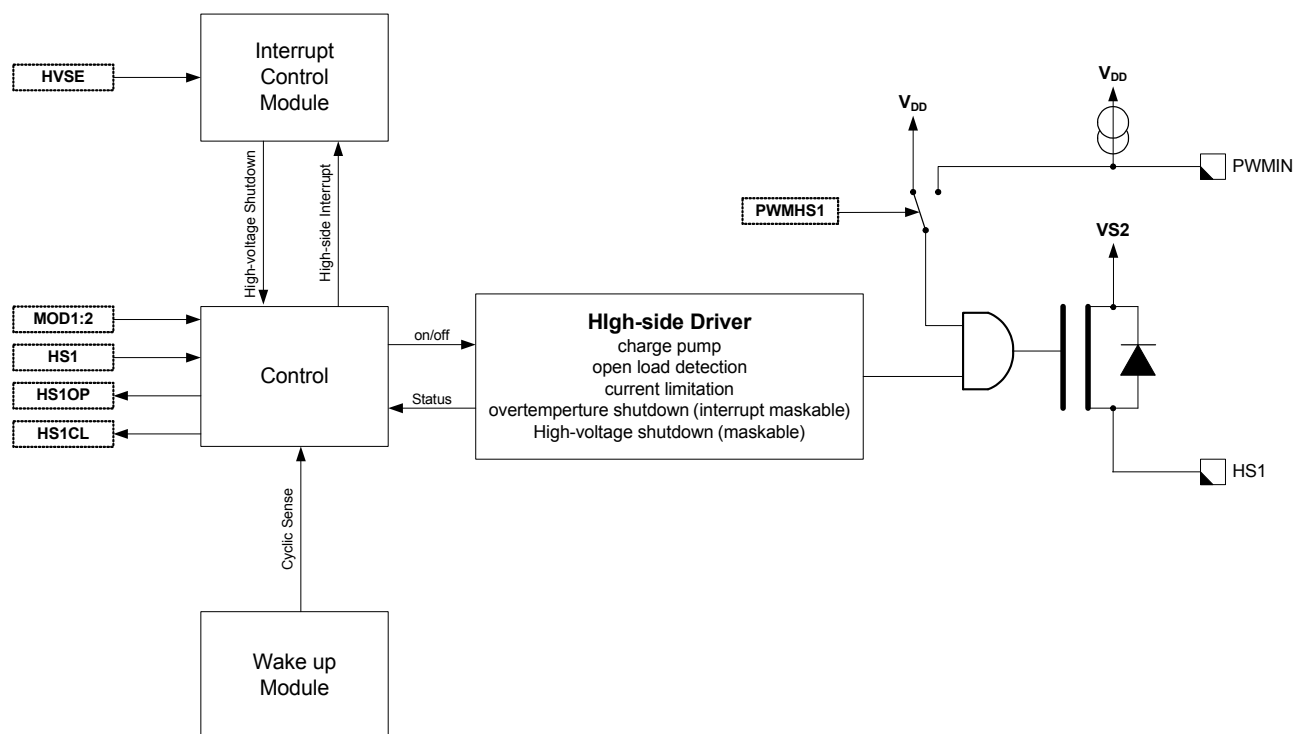


Figure 17. High-side Drivers HS1

### 7.1.12.2 Open Load Detection

The high-side driver signals an open load condition if the current through the high-side is below the open load current threshold. The open load condition is indicated with the bit HS1OP in the High-side Status Register (HSSR).

### 7.1.12.3 Current Limitation

The high-side driver has an output current limitation. In combination with the overtemperature shutdown the high-side driver is protected against overcurrent and short-circuit failures. When the driver operates in the current limitation area, it is indicated with the HS1CL bit in the HSSR.

Note: If the driver is operating in current limitation mode, excessive power might be dissipated.

### 7.1.12.4 Overtemperature Protection (HS Interrupt)

The high-side driver is protected against overtemperature. During an overtemperature condition, the high-side driver is shutdown and the event is latched in the Interrupt Control Module. The shutdown is indicated as HS Interrupt in the Interrupt Source Register (ISR). A thermal shutdown of the high-side driver is indicated by setting the HS1OP and HS1CL bits simultaneously. If the bit HSM is set in the Interrupt Mask Register (IMR), then an interrupt (IRQ) is generated. A write to the High-Side Control Register (HSCR), when the overtemperature condition is gone, re-enables the high-side driver.

### 7.1.12.5 High-voltage Shutdown

If a high-voltage condition occurs and if the high-voltage shutdown is enabled (bit HVSE in the Mode Control Register (MCR) is set the high-side driver is shutdown. A write to the High-side Control Register (HSCR), when the high-voltage condition is gone, re-enables the high-side driver.

### 7.1.12.6 Sleep And Stop Mode

The high-side driver can be enabled to operate in Sleep and Stop mode for cyclic sensing. See [Table 6. Operating Modes Overview](#).

## 7.1.13 Low-side Output Pins LS1 and LS2

These outputs are two low-side drivers intended to drive relays incorporating the following features:

- PWM capability (software maskable)
- Open load detection
- Current limitation
- Overtemperature shutdown (with maskable interrupt)
- Active clamp (for driving relays)
- High-voltage shutdown (software maskable)

The low-side switches are controlled by the LS1:2 bit in the Low-side Control Register (LSCR). To protect the device against overvoltage when an inductive load (relay) is turned off. An active clamp re-enables the low-side FET if the voltage on the LS1 or LS2 pin exceeds a certain level.

### 7.1.13.1 PWM Capability (direct access)

Each low-side driver offers additional (to the SPI control) direct control via the PWMIN pin. If both the bits LS1 and PWMLS1 are set in the Low-side Control Register (LSCR), then the LS1 driver is turned on if the PWMIN pin is high and turned off if the PWMIN pin is low. The same applies to the LS2 and PWMLS2 bits for the LS2 driver.

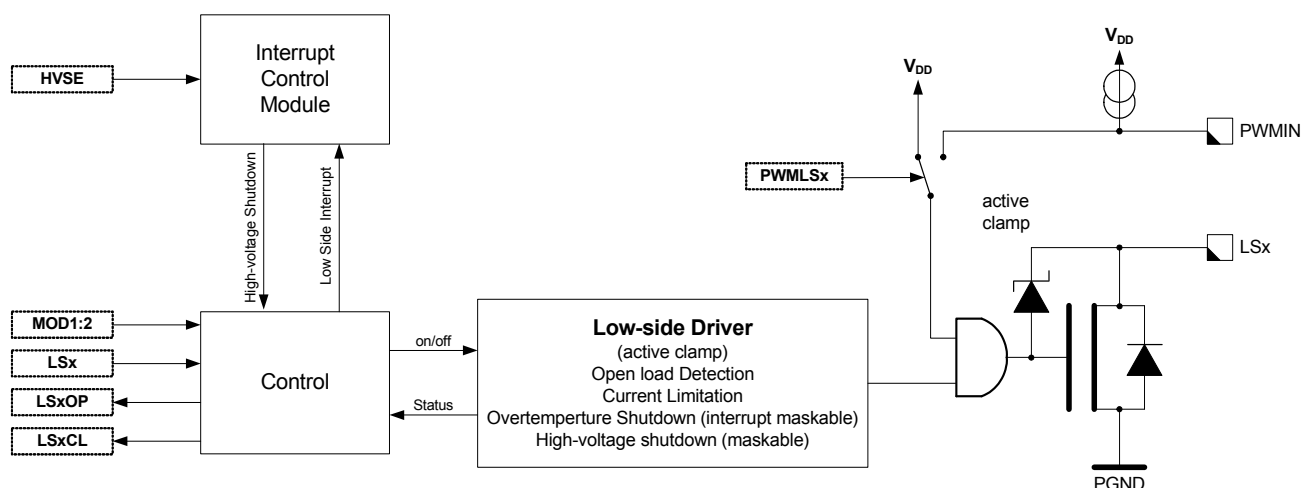


Figure 18. Low-side Drivers LS1 and LS2

### 7.1.13.2 Open Load Detection

Each low-side driver signals an open load condition if the current through the low-side is below the open load current threshold. The open load condition is indicated with the bit LS1OP and LS2OP in the Low-side Status Register (LSSR).

### 7.1.13.3 Current Limitation

Each low-side driver has a current limitation. In combination with the overtemperature shutdown the low-side drivers are protected against overcurrent and short-circuit failures. When the drivers operate in current limitation, this is indicated with the bits LS1CL and LS2CL in the LSSR.

Note: If the drivers are operating in current limitation mode excessive power might be dissipated.

### 7.1.13.4 Overtemperature Protection (LS Interrupt)

Both low-side drivers are protected against overtemperature. During an overtemperature condition, both low-side drivers are shutdown and the event is latched in the Interrupt Control Module. The shutdown is indicated as an LS Interrupt in the Interrupt Source Register (ISR). If the bit LSM is set in the Interrupt Mask Register (IMR) then an Interrupt (IRQ) is generated. A write to the Low-side Control Register (LSCR), when the overtemperature condition is gone, re-enables the low-side drivers.

## 7.1.13.5 High-voltage Shutdown

In case of a high-voltage condition and if the high-voltage shutdown is enabled (bit HVSE in the Mode Control Register (MCR) is set), both low-side drivers are shutdown. A write to the Low-side Control Register (LSCR), when the high-voltage condition is gone, re-enables the low-side drivers.

## 7.1.13.6 Sleep And Stop Mode

The low-side drivers are disabled in Sleep and Stop mode. See [Table 6. Operating Modes Overview](#).

## 7.1.14 Lin Physical Layer

The LIN bus pin provides a physical layer for single-wire communication in automotive applications. The LIN physical layer is designed to meet the LIN physical layer specification and has the following features:

- LIN physical layer 2.0, 2.1 and SAEJ2602 compliant
- Slew rate selection
- Overtemperature shutdown
- Advanced diagnostics

The LIN driver is a low-side MOSFET with thermal shutdown. An internal pull-up resistor with a serial diode structure is integrated, so no external pull-up components are required for the application in a slave node. The fall time from dominant to recessive and the rise time from recessive to dominant is controlled. The symmetry between both slopes is guaranteed.

### 7.1.14.1 LIN Pin

The LIN pin offers a high susceptibility immunity level from external disturbance, guaranteeing communication during external disturbance.

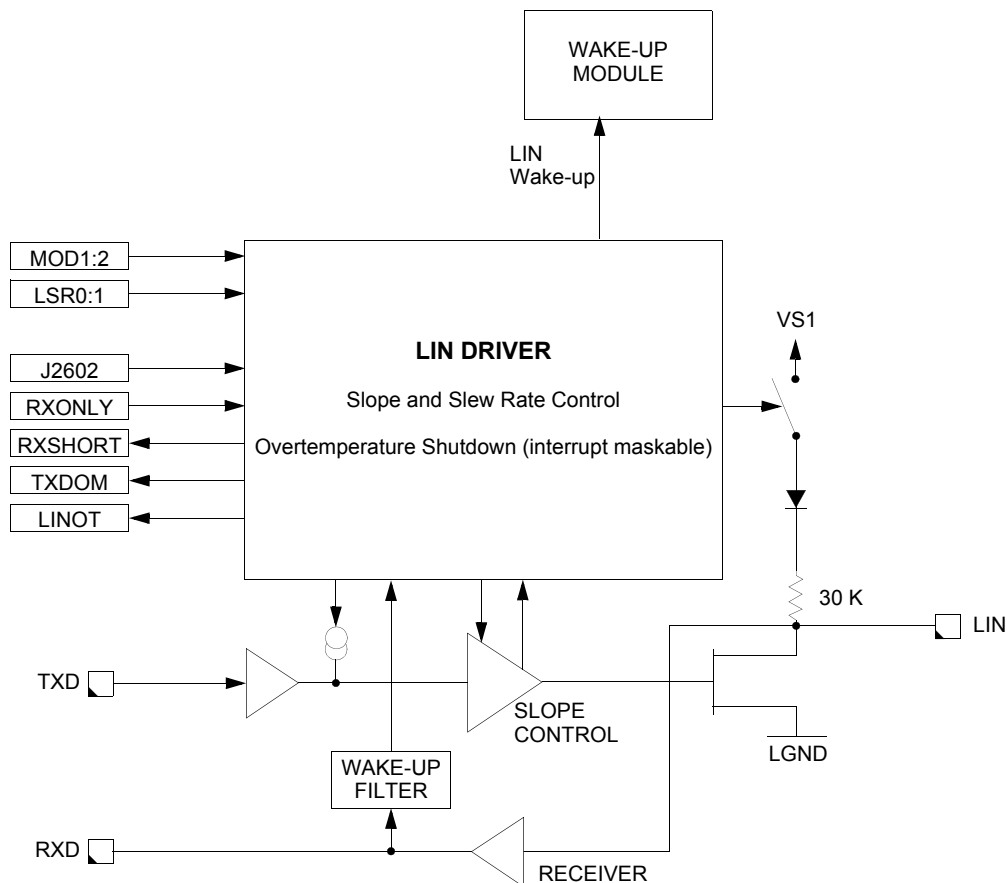


Figure 19. LIN Interface

### 7.1.14.2 Slew Rate Selection

The slew rate can be selected for optimized operation at 10.4 and 20 kBit/s as well as a fast baud rate for test and programming. The slew rate can be adapted with the bits LSR1:0 in the LIN Control Register (LINCRCR). The initial slew rate is optimized for 20 kBit/s.

### 7.1.14.3 J2602 Conformance

To be compliant with the SAE J2602-2 specification, the J2602 feature has to be enabled in the LINCRCR Register (bit DIS\_J2602 sets to 0). The LIN transmitter is disabled if a  $V_{SUP}$  undervoltage condition occurs and TXD is in the Recessive State: the LIN bus goes in Recessive State and RXD goes high. The LIN transmitter is not disabled if TXD is in Dominant State. A deglitcher on  $V_{SUP}$  ( $t_{J2602\_DEG}$ ) is implemented to avoid false switching.

If the (DIS\_J2602) bit is set to 1, the J2602 feature is disabled and the communication TXD-LIN-RXD works for  $V_{SUP}$  down to 4.6 V (typical value) and then the communication is interrupted. The (DIS\_J2602) bit is set per default to 0.

### 7.1.14.4 Overtemperature Shutdown (LIN Interrupt)

The output low-side FET is protected against overtemperature conditions. In case of an overtemperature condition, the transmitter is shutdown and the LINOT bit in the LIN Status Register (LINSR) is set. If the LINM bit is set in the Interrupt Mask Register (IMR), an Interrupt IRQ is generated. The transmitter is automatically re-enabled once the condition is gone and TXD is high.

### 7.1.14.5 RXD Short-circuit Detection (LIN Interrupt)

The LIN transceiver has a short-circuit detection for the RXD output pin. If the device transmits and in case of a short-circuit condition, on either 5.0 V or Ground, the RXSHORT bit in the LIN Status Register (LINSR) is set and the transmitter is shutdown. If the LINM bit is set in the Interrupt Mask Register (IMR), an Interrupt IRQ is generated. The transmitter is automatically re-enabled once the condition is gone (transition on RXD) and TXD is high. A read of the LIN Status Register (LINSR) without the RXD pin short-circuit condition clears the bit RXSHORT.

### 7.1.14.6 TXD Dominant Detection (LIN Interrupt)

The LIN transceiver monitors the TXD input pin to detect a stuck in dominant (0 V) condition. During a stuck condition (TXD pin 0 V for more than 1 second (typ.)), the transmitter is shutdown and the TXDOM bit in the LIN Status Register (LINSR) is set. If the LINM bit is set in the IMR, an Interrupt IRQ is generated. The transmitter is automatically re-enabled once TXD is high. A read of the LIN Status Register (LINSR) with the TXD pin at 5.0 V clears the bit TXDOM.

### 7.1.14.7 LIN Receiver Operation Only

While in Normal mode, the activation of the RXONLY bit disables the LIN TXD driver. In case of a LIN error condition, this bit is automatically set. If Stop mode is selected with this bit set, the LIN wake-up functionality is disabled and the RXD pin reflects the state of the LIN bus.

### 7.1.14.8 STOP Mode And Wake-up Feature

During Stop mode operation, the transmitter of the physical layer is disabled. The receiver is still active and able to detect wake-up events on the LIN bus line. A dominant level longer than  $t_{PROPWL}$  followed by a rising edge generates a wake-up interrupt, and is reported in the Interrupt Source Register (ISR). See [Figure 11](#).

### 7.1.14.9 SLEEP Mode And Wake-up Feature

During Sleep mode operation, the transmitter of the physical layer is disabled. The receiver must be active to detect wake-up events on the LIN bus line. A dominant level longer than  $t_{PROPWL}$  followed by a rising edge generates a system wake-up (Reset), and is reported in the Interrupt Source Register (ISR). See [Figure 10](#).

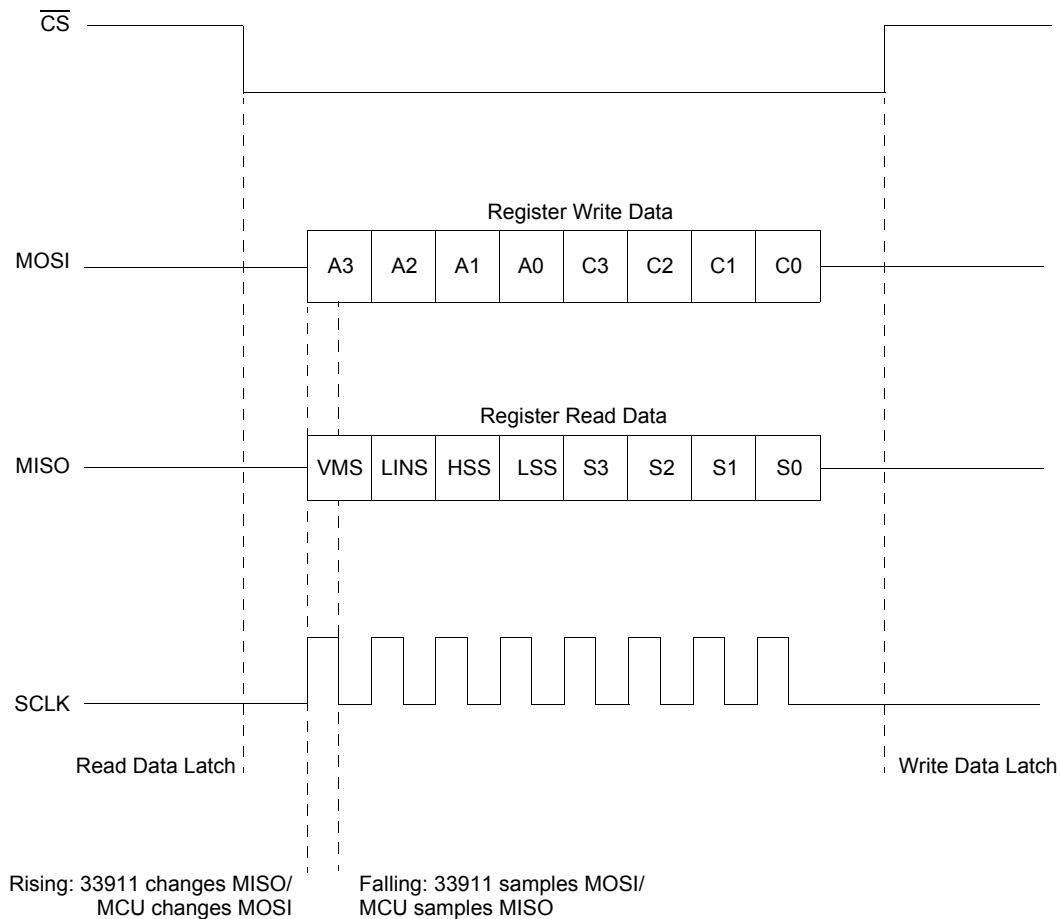
## 7.2 Logic Commands and Registers

### 7.2.1 33911 SPI Interface and Configuration

The serial peripheral interface creates the communication link between a microcontroller (master) and the 33911. The interface consists of four pins (see [Figure 20](#)):

- $\overline{\text{CS}}$ —Chip Select
- MOSI—Master-out Slave-in
- MISO—Master-in Slave-out
- SCLK—Serial Clock

A complete data transfer via the SPI consists of 1 byte. The master sends 4 bits of address (A3:A0) + 4 bits of control information (C3:C0) and the slave replies with 4 system status bits (VMS,LINS,HSS,LSS) + 4 bits of status information (S3:S0).



**Figure 20. SPI Protocol**

During the inactive phase of the  $\overline{\text{CS}}$  (HIGH), the new data transfer is prepared. The falling edge of the  $\overline{\text{CS}}$  indicates the start of a new data transfer, puts the MISO in the low-impedance state, and latches the analog status data (Register read data). With the rising edge of the SPI clock (SCLK), the data is moved to the MISO/MOSI pins. With the falling edge of the SPI clock (SCLK), the data is sampled by the receiver. The data transfer is only valid if exactly 8 sample clock edges are present during the active (low) phase of  $\overline{\text{CS}}$ .

The rising edge of the Chip Select  $\overline{\text{CS}}$  indicates the end of the transfer and latches the write data (MOSI) into the register. The  $\overline{\text{CS}}$  high forces MISO to the high-impedance state. Register reset values are described along with the reset condition. Reset condition is the condition causing the bit to be set to its reset value. The main reset conditions are:

- Power-On Reset (POR): the level at which the logic is reset and BATFAIL flag sets.
- Reset mode
- Reset done by the  $\overline{\text{RST}}$  pin (ext\_reset)

## 7.2.2 SPI Register Overview

**Table 8. System Status Register**

| Adress(A3:A0) | Register Name / Read/Write Information |   | BIT |      |     |     |
|---------------|--|---|-----|------|-----|-----|
|               |  |   | 7   | 6    | 5   | 4   |
| \$0 - \$F     | SYSSR - System Status Register         | R | VMS | LINS | HSS | LSS |

[Table 9](#) summarizes the SPI Register content for Control Information (C3:C0) = W and status information (S3:S0) = R.

**Table 9. SPI Register Overview**

| Adress(A3:A0) | Register Name / Read/Write Information       |   | BIT                 |        |       |         |
|---------------|--|---|---------------------|--------|-------|---------|
|               |  |   | 3                   | 2      | 1     | 0       |
| \$0           | MCR - Mode Control Register                  | W | HVSE                | 0      | MOD2  | MOD1    |
|               | VSR - Voltage Status Register                | R | VSOV                | VSUV   | VDDOT | BATFAIL |
| \$1           | VSR - Voltage Status Register                | R | VSOV                | VSUV   | VDDOT | BATFAIL |
| \$2           | WUCR - Wake-up Control Register              | W | 0                   | 0      | L2WE  | L1WE    |
|               | WUSR - Wake-up Status Register               | R | -                   | -      | L2    | L1      |
| \$3           | WUSR - Wake-up Status Register               | R | -                   | -      | L2    | L1      |
| \$4           | LINCR - LIN Control Register                 | W | DIS_J2602           | RXONLY | LSR1  | LSR0    |
|               | LINSR - LIN Status Register                  | R | RXSHORT             | TXDOM  | LINOT | 0       |
| \$5           | LINSR - LIN Status Register                  | R | RXSHORT             | TXDOM  | LINOT | 0       |
| \$6           | HSCR - High-side Control Register            | W | 0                   | PWMHS1 | 0     | HS1     |
|               | HSSR - High-side Status Register             | R | -                   | -      | HS1OP | HS1CL   |
| \$7           | HSSR - High-side Status Register             | R | -                   | -      | HS1OP | HS1CL   |
| \$8           | LSCR - Low-side Control Register             | W | PWMLS2              | PWMLS1 | LS2   | LS1     |
|               | LSSR - Low-side Status Register              | R | LS2OP               | LS2CL  | LS1OP | LS1CL   |
| \$9           | LSSR - Low-side Status Register              | R | LS2OP               | LS2CL  | LS1OP | LS1CL   |
| \$A           | TIMCR - Timing Control Register              | W | CS/ $\overline{WD}$ | WD2    | WD1   | WD0     |
|               | WDSR - Watchdog Status Register              | R | WDTO                | WDERR  | WDOFF | WDWO    |
| \$B           | WDSR - Watchdog Status Register              | R | WDTO                | WDERR  | WDOFF | WDWO    |
| \$C           | AMUXCR - Analog Multiplexer Control Register | W | LXDS                | MX2    | MX1   | MX0     |
| \$D           | CFR - Configuration Register                 | W | 0                   | CYSX8  | 0     | 0       |
| \$E           | IMR - Interrupt Mask Register                | W | HSM                 | LSM    | LINM  | VMM     |
|               | ISR - Interrupt Source Register              | R | ISR3                | ISR2   | ISR1  | ISR0    |
| \$F           | ISR - Interrupt Source Register              | R | ISR3                | ISR2   | ISR1  | ISR0    |

## 7.2.3 Register Definitions

### 7.2.3.1 System Status Register - SYSSR

The System Status Register (SYSSR) is always transferred with every SPI transmission and gives a quick system status overview. It summarizes the status of the Voltage Monitor Status (VMS), LIN Status (LINS), High-side Status (HSS), and the Low-side Status (LSS).

Table 10. System Status Register

|      | S7  | S6   | S5  | S4  |
|------|-----|------|-----|-----|
| Read | VMS | LINS | HSS | LSS |

### 7.2.3.2 VMS - Voltage Monitor Status

This read-only bit indicates one or more bits in the VSR are set.

1 = Voltage Monitor bit set

0 = None

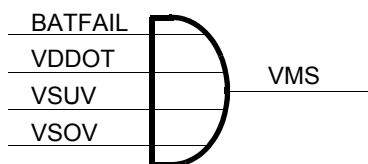


Figure 21. Voltage Monitor Status

### 7.2.3.3 LINS - LIN Status

This read-only bit indicates one or more bits in the LINSR are set.

1 = LIN Status bit set

0 = None

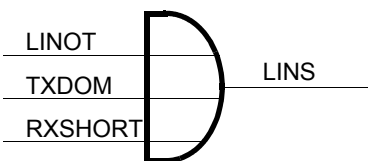


Figure 22. LIN Status

### 7.2.3.4 HSS - High-side Switch Status

This read-only bit indicates one or more bits in the HSSR are set.

1 = High-side Status bit set

0 = None

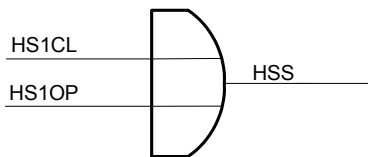


Figure 23. High-side Status



### 7.2.3.5 LSS - Low-side Switch Status

This read-only bit indicates one or more bits in the LSSR are set.

1 = Low-side Status bit set

0 = None

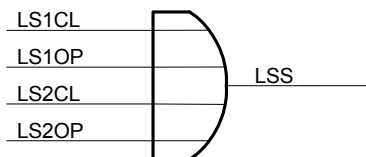


Figure 24. Low-side Status

### 7.2.3.6 Mode Control Register - MCR

The Mode Control Register (MCR) allows switching between the operation modes and to configure the 33911. Writing the MCR returns the VSR.

Table 11. Mode Control Register - \$0

|                 | C3   | C2  | C1   | C0   |
|-----------------|------|-----|------|------|
| Write           | HVSE | 0   | MOD2 | MOD1 |
| Reset Value     | 1    | 0   | -    | -    |
| Reset Condition | POR  | POR | -    | -    |

### 7.2.3.7 HVSE - High-Voltage Shutdown Enable

This write-only bit enables/disables automatic shutdown of the high-side and the low-side drivers during a high-voltage VSOV condition.

1 = automatic shutdown enabled

0 = automatic shutdown disabled

### 7.2.3.8 MOD2, MOD1 - Mode Control Bits

These write-only bits select the operating mode and allow clearing the watchdog in accordance with [Table 7](#) Mode Control Bits.

Table 12. Mode Control Bits

| MOD2 | MOD1 | Description                  |
|------|------|------------------------------|
| 0    | 0    | Normal mode                  |
| 0    | 1    | Stop mode                    |
| 1    | 0    | Sleep mode                   |
| 1    | 1    | Normal mode + Watchdog Clear |

### 7.2.3.9 Voltage Status Register - VSR

Returns the status of the several voltage monitors. This register is also returned when writing to the Mode Control Register (MCR).

Table 13. Voltage Status Register - \$0/\$1

|      | S3   | S2   | S1    | S0      |
|------|------|------|-------|---------|
| Read | VSOV | VSUV | VDDOT | BATFAIL |

### 7.2.3.10 VSOV - V<sub>SUP</sub> Overvoltage

This read-only bit indicates an overvoltage condition on the VS1 pin.

1 = Overvoltage condition.

0 = Normal condition.

### 7.2.3.11 VSUV - V<sub>SUP</sub> Undervoltage

This read-only bit indicates an undervoltage condition on the VS1 pin.

1 = Undervoltage condition.

0 = Normal condition.

### 7.2.3.12 VDDOT - Main Voltage Regulator Overtemperature Warning

This read-only bit indicates the main voltage regulator temperature reached the Overtemperature Prewarning Threshold.

1 = Overtemperature Prewarning

0 = Normal

### 7.2.3.13 BATFAIL - Battery Fail Flag

This read-only bit is set during power-up and indicates the 33911 had a Power-On-Reset (POR). Any access to the MCR or VSR clears the BATFAIL flag.

1 = POR Reset has occurred

0 = POR Reset has not occurred

### 7.2.3.14 Wake-up Control Register - WUCR

This register is used to control the digital wake-up inputs. Writing the WUCR returns the Wake-up Status Register (WUSR).

**Table 14. Wake-up Control Register - \$2**

|                 | C3                           | C2 | C1   | C0   |
|-----------------|------------------------------|----|------|------|
| Write           | 0                            | 0  | L2WE | L1WE |
| Reset Value     | 1                            | 1  | 1    | 1    |
| Reset Condition | POR, Reset mode or ext_reset |    |      |      |

### 7.2.3.15 LxWE - Wake-up Input x Enable

This write-only bit enables/disables which Lx inputs are enabled. In Stop and Sleep mode the LxWE bit determines which wake inputs are active for wake-up. If one of the Lx inputs is selected on the analog multiplexer, the corresponding LxWE is masked to 0.

1 = Wake-up Input x enabled.

0 = Wake-up Input x disabled.

### 7.2.3.16 Wake-up Status Register - WUSR

This register is used to monitor the digital wake-up inputs and is also returned when writing to the WUCR.

**Table 15. Wake-up Status Register - \$2/\$3**

|      | S3 | S2 | S1 | S0 |
|------|----|----|----|----|
| Read | -  | -  | L2 | L1 |

### 7.2.3.17 Lx - Wake-up Input X

This read-only bit indicates the status of the corresponding Lx input. If the Lx input is not enabled, then the according Wake-up status returns 0. After a wake-up from Stop or Sleep mode these bits also allow to determine which input has caused the wake-up, by first reading the Interrupt Status Register (ISR) and then reading the WUSR. The source of the wake-up is only reported on the first WUCR or WUSR access.

1 = Lx pin high, or Lx is the source of the wake-up.

0 = Lx pin low, disabled or selected as an analog input.

### 7.2.3.18 LIN Control Register - LINCR

This register controls the LIN physical interface block. Writing the LIN Control Register (LINCR) returns the LIN Status Register (LINSR).

**Table 16. LIN Control Register - \$4**

|                 | C3        | C2  | C1   | C0   |
|-----------------|-----------|---|------|------|
| Write           | DIS_J2602 | RXONLY  | LSR1 | LSR0 |
| Reset Value     | 0         | 0   | 0    | 0    |
| Reset Condition | POR       | POR, Reset mode, ext_reset or LIN failure gone* | POR  |      |

\* LIN failure gone: if LIN failure (overtemp, TXD/RXD short) was set, the flag resets automatically when the failure is gone.

### 7.2.3.19 J2602 - LIN Dominant Voltage Select

This write-only bit controls the J2602 circuitry. If the circuitry is enabled (bit sets to 0), the TXD-LIN-RXD communication works down to the battery undervoltage condition is detected. Below, the bus is in recessive state. If the circuitry is disabled (bit sets to 1), the communication TXD-LIN-RXD works down to 4.6 V (typical value).

0 = Enabled J2602 feature.

1 = Disabled J2602 feature.

### 7.2.3.20 RXONLY - LIN Receiver Operation Only

This write-only bit controls the behavior of the LIN transmitter. In Normal mode, the activation of the RXONLY bit disables the LIN transmitter. During a LIN error condition, this bit is automatically set. In Stop mode this bit disables the LIN wake-up functionality, and the RXD pin reflects the state of the LIN bus.

1 = only LIN receiver active (Normal mode) or LIN wake-up disabled (Stop mode).

0 = LIN fully enabled.

### 7.2.3.21 LSRx - LIN Slew-Rate

This write-only bit controls the LIN driver slew-rate in accordance with [Table 17](#).

**Table 17. LIN Slew Rate Control**

| LSR1 | LSR0 | Description                      |
|------|------|----------------------------------|
| 0    | 0    | Normal Slew Rate (up to 20 kb/s) |
| 0    | 1    | Slow Slew Rate (up to 10 kb/s)   |
| 1    | 0    | Fast Slew Rate (up to 100 kb/s)  |
| 1    | 1    | Reserved                         |

### 7.2.3.22 LIN Status Register - LINSR

This register returns the status of the LIN physical interface block and is also returned when writing to the LINCRC.

Table 18. LIN Status Register - \$4/\$5

|      | S3      | S2    | S1    | S0 |
|------|---------|-------|-------|----|
| Read | RXSHORT | TXDOM | LINOT | 0  |

### 7.2.3.23 RXSHORT - RXD Pin Short-circuit

This read-only bit indicates a short-circuit condition on the RXD pin (shorted either to 5.0 V or to Ground). The short-circuit delay must be a worst case of 8.0  $\mu$ s to be detected and to shutdown the driver. To clear this bit, it must be read after the condition is gone (transition detected on RXD pin). The LIN driver is automatically re-enabled once the condition is gone and TXD is high.

1 = RXD short-circuit condition.

0 = None.

### 7.2.3.24 TXDOM - TXD Permanent Dominant

This read-only bit signals the detection of a TXD pin stuck at dominant (Ground) condition and the resultant shutdown in the LIN transmitter. This condition is detected after the TXD pin remains in dominant state for more than 1.0 second (typical value). To clear this bit, it must be read after TXD has gone high. The LIN driver is automatically re-enabled once TXD goes High.

1 = TXD stuck at dominant fault detected.

0 = None.

### 7.2.3.25 LINOT - LIN Driver Overtemperature

This read-only bit signals the LIN transceiver was shutdown due to overtemperature. The transmitter is automatically re-enabled after the overtemperature condition is gone and TXD is high. The LINOT bit is cleared after the SPI read once the condition is gone.

1 = LIN overtemperature shutdown

0 = None

### 7.2.3.26 High-side Control Register - HSCR

This register controls the operation of the high-side driver. Writing to this register returns the High-side Status Register (HSSR).

Table 19. High-side Control Register - \$6

|                 | C3  | C2     | C1  | C0  |
|-----------------|-----|--------|---|-----|
| Write           | 0   | PWMHS1 | 0   | HS1 |
| Reset Value     | 0   | 0      | 0   | 0   |
| Reset Condition | POR |        | POR, Reset mode, ext_reset, HS1 overtemp or (VSOV & HVSE) |     |

### 7.2.3.27 PWMHS1 - PWM Input Control Enable.

This write-only bit enables/disables the PWMIN input pin to control the high-side switch. The high-side switch must be enabled (HS1 bit).

1 = PWMIN input controls HS1 output.

0 = HS1 is controlled only by SPI.

### 7.2.3.28 HS1 - HS1 Switch Control.

This write-only bit enables/disables the high-side switch.

1 = HS1 switch on.

0 = HS1 switch off.

### 7.2.3.29 High-side Status Register - HSSR

This register returns the status of the high-side switch and is also returned when writing to the HSCR.

Table 20. High-side Status Register - \$6/\$7

|      | S3 | S2 | S1    | S0    |
|------|----|----|-------|-------|
| Read | -  | -  | HS1OP | HS1CL |

### 7.2.3.30 High-side Thermal Shutdown

A thermal shutdown of the high-side driver is indicated by setting the HS1OP and HS1CL bits simultaneously.

### 7.2.3.31 HS1OP - High-side Switch Open Load Detection

This read-only bit signals the high-side switch is conducting current below a certain threshold indicating possible load disconnection.

1 = HS1 Open Load detected (or thermal shutdown)

0 = Normal

### 7.2.3.32 HS1CL - High-side Current Limitation

This read-only bit indicates the high-side switch is operating in current limitation mode.

1 = HS1 in current limitation (or thermal shutdown)

0 = Normal

### Low-side Control Register - LSCR

This register controls the operation of the low-side drivers. Writing the Low-side Control Register (LSCR) also returns the Low-side Status Register (LSSR).

Table 21. Low-side Control Register - \$8

|                 | C3     | C2     | C1  | C0  |
|-----------------|--------|--------|---|-----|
| Write           | PWMLS2 | PWMLS1 | LS2   | LS1 |
| Reset Value     | 0      | 0      | 0   | 0   |
| Reset Condition | POR    |        | POR, Reset mode, ext_reset, LSx overtemp or (VSOV & HVSE) |     |

### 7.2.3.33 PWMLx - PWM Input Control Enable

This write-only bit enables/disables the PWMIN input pin to control the respective low-side switch. The corresponding low-side switch must be enabled (LSx bit).

1 = PWMIN input controls LSx.

0 = LSx is controlled only by SPI.

### 7.2.3.34 LSx - LSx Switch Control

This write-only bit enables/disables the corresponding low-side switch.

1 = LSx switch on.

0 = LSx switch off.

### 7.2.3.35 Low-side Status Register - LSSR

This register returns the status of the low-side switches and is also returned when writing to the LSCR.

Table 22. Low-side Status Register - \$8/\$9

|      | C3    | C2    | C1    | C0    |
|------|-------|-------|-------|-------|
| Read | LS2OP | LS2CL | LS1OP | LS1CL |

### 7.2.3.36 Low-side Thermal Shutdown

A thermal shutdown of the low-side drivers is indicated by setting all LSxOP and LSxCL bits simultaneously.

### 7.2.3.37 LSxOP - Low-side Switch Open Load Detection

This read-only bit signals the low-side switches are conducting current below a certain threshold indicating possible load disconnection.

1 = LSx Open Load detected (or thermal shutdown)

0 = Normal

### 7.2.3.38 LSxCL - Low-side Current Limitation

This read-only bit indicates the respective low-side switch is operating in current limitation mode.

1 = LSx in current limitation (or thermal shutdown)

0 = Normal

### 7.2.3.39 Timing Control Register - TIMCR

This register allows to configure the watchdog, the cyclic sense and forced wake-up periods. Writing to the Timing Control Register (TIMCR) also returns the Watchdog Status Register (WDSR).

Table 23. Timing Control Register - \$A

|                 | C3    | C2    | C1    | C0    |
|-----------------|-------|-------|-------|-------|
| Write           | CS/WD | WD2   | WD1   | WD0   |
|                 |       | CYST2 | CYST1 | CYST0 |
| Reset Value     | -     | 0     | 0     | 0     |
| Reset Condition | -     | POR   |       |       |

### 7.2.3.40 CS/WD - Cyclic Sense or Watchdog Prescaler Select

This write-only bit selects which prescaler is being written to the Cyclic Sense/Forced Wake-up prescaler or the Watchdog prescaler.

1 = Cyclic Sense/Forced Wake-up Prescaler selected

0 = Watchdog Prescaler select

### 7.2.3.41 W<sub>D</sub>x - Watchdog Prescaler

This write-only bits selects the divider for the watchdog prescaler and therefore selects the watchdog period in accordance with [Table 24](#). This configuration is valid only if windowing watchdog is active.

**Table 24. Watchdog Prescaler**

| WD2 | WD1 | WD0 | Prescaler Divider |
|-----|-----|-----|-------------------|
| 0   | 0   | 0   | 1                 |
| 0   | 0   | 1   | 2                 |
| 0   | 1   | 0   | 4                 |
| 0   | 1   | 1   | 6                 |
| 1   | 0   | 0   | 8                 |
| 1   | 0   | 1   | 10                |
| 1   | 1   | 0   | 12                |
| 1   | 1   | 1   | 14                |

### 7.2.3.42 C<sub>Y</sub>ST<sub>x</sub> - Cyclic Sense Period Prescaler Select

This write-only bits selects the interval for the wake-up cyclic sensing together with the bit C<sub>Y</sub>SX8 in the Configuration Register (CFR) (see [Configuration Register - CFR on page 49](#)). This option is only active if the high-side switch is enabled when entering in Stop or Sleep mode. Otherwise a timed wake-up is performed after the period shown in [Table 25](#).

**Table 25. Cyclic Sense and Force Wake-up Interval**

| C <sub>Y</sub> SX8 <sup>(68)</sup> | C <sub>Y</sub> ST2 | C <sub>Y</sub> ST1 | C <sub>Y</sub> ST0 | Interval                        |
|------------------------------------|--------------------|--------------------|--------------------|---------------------------------|
| X                                  | 0                  | 0                  | 0                  | No cyclic sense <sup>(69)</sup> |
| 0                                  | 0                  | 0                  | 1                  | 20 ms                           |
| 0                                  | 0                  | 1                  | 0                  | 40 ms                           |
| 0                                  | 0                  | 1                  | 1                  | 60 ms                           |
| 0                                  | 1                  | 0                  | 0                  | 80 ms                           |
| 0                                  | 1                  | 0                  | 1                  | 100 ms                          |
| 0                                  | 1                  | 1                  | 0                  | 120 ms                          |
| 0                                  | 1                  | 1                  | 1                  | 140 ms                          |
| 1                                  | 0                  | 0                  | 1                  | 160 ms                          |
| 1                                  | 0                  | 1                  | 0                  | 320 ms                          |
| 1                                  | 0                  | 1                  | 1                  | 480 ms                          |
| 1                                  | 1                  | 0                  | 0                  | 640 ms                          |
| 1                                  | 1                  | 0                  | 1                  | 800 ms                          |
| 1                                  | 1                  | 1                  | 0                  | 960 ms                          |
| 1                                  | 1                  | 1                  | 1                  | 1120 ms                         |

**Notes**

- 68. bit C<sub>Y</sub>SX8 is located in Configuration Register (CFR)
- 69. No Cyclic Sense and no Force Wake up available.

### 7.2.3.43 Watchdog Status Register - WDSR

This register returns the Watchdog status information and is also returned when writing to the TIMCR.

**Table 26. Watchdog Status Register - \$A/\$B**

|      | S3   | S2    | S1    | S0   |
|------|------|-------|-------|------|
| Read | WDTO | WDERR | WDOFF | WDWO |

### 7.2.3.44 WDTO - Watchdog Timeout

This read-only bit signals the last reset was caused by either a watchdog timeout or by an attempt to clear the watchdog within the window closed. Any access to this register or the Timing Control Register (TIMCR) clears the WDTO bit.

1 = Last reset caused by watchdog timeout

0 = None

### 7.2.3.45 WDERR - Watchdog Error

This read-only bit signals the detection of a missing watchdog resistor. In this condition the watchdog is using the internal, lower precision timebase. The Windowing function is disabled.

1 = WDCONF pin resistor missing

0 = WDCONF pin resistor not floating

### 7.2.3.46 WDOFF - Watchdog Off

This read-only bit signals the watchdog pin connected to Ground and therefore disabled. In this case, watchdog timeouts are disabled and the device automatically enters Normal mode out of Reset. This might be necessary for software debugging and for programming the flash memory.

1 = Watchdog is disabled

0 = Watchdog is enabled

### 7.2.3.47 WDWO - Watchdog Window Open

This read-only bit signals when the watchdog window is open for clears. The purpose of this bit is for testing. This should be ignored if WDERR is High.

1 = Watchdog window open

0 = Watchdog window closed

### 7.2.3.48 Analog Multiplexer Control Register - MUXCR

This register controls the analog multiplexer and selects the divider ration for the Lx input divider.

**Table 27. Analog Multiplexer Control Register - \$C**

|                 | C3   | C2                           | C1  | C0  |
|-----------------|------|------------------------------|-----|-----|
| Write           | LXDS | MX2                          | MX1 | MX0 |
| Reset Value     | 1    | 0                            | 0   | 0   |
| Reset Condition | POR  | POR, Reset mode or ext_reset |     |     |

### 7.2.3.49 LXDS - Lx Analog Input Divider Select

This write-only bit selects the resistor divider for the Lx analog inputs. Voltage is internally clamped to  $V_{DD}$ .

0 = Lx Analog divider: 1

1 = Lx Analog divider: 3.6 (typ.)



### 7.2.3.50 MXx - Analog Multiplexer Input Select

These write-only bits selects which analog input is multiplexed to the ADOUT0 pin according to [Table 28](#). When disabled or when in Stop or Sleep mode, the output buffer is not powered and the ADOUT0 output is left floating to achieve lower current consumption.

**Table 28. Analog Multiplexer Channel Select**

| MX2 | MX1 | MX0 | Meaning                                |
|-----|-----|-----|--|
| 0   | 0   | 0   | Disabled                               |
| 0   | 0   | 1   | Reserved                               |
| 0   | 1   | 0   | Die Temperature Sensor <sup>(70)</sup> |
| 0   | 1   | 1   | VSENSE input                           |
| 1   | 0   | 0   | L1 input                               |
| 1   | 0   | 1   | L2 input                               |
| 1   | 1   | 0   | Reserved                               |
| 1   | 1   | 1   | Reserved                               |

**Notes**

70. Accessing the Die Temperature Sensor directly from the Disabled state is not recommended. If this transition must be performed and to avoid the intermediate state, wait at least 1.0 ms, then start the die temp measurement.  
Possible access is Disabled → Vsense input → Die Temperature Sensor.

### 7.2.3.51 Configuration Register - CFR

This register controls the cyclic sense timing multiplier.

**Table 29. Configuration Register - \$D**

|                 | C3                           | C2    | C1  | C0  |
|-----------------|------------------------------|-------|-----|-----|
| Write           | 0                            | CYSX8 | 0   | 0   |
| Reset Value     | 0                            | 0     | 0   | 0   |
| Reset Condition | POR, Reset mode or ext_reset | POR   | POR | POR |

### 7.2.3.52 CYSX8 - Cyclic Sense Timing x 8

This write-only bit influences the cyclic sense and forced wake-up period as shown in [Table 25](#).

1 = Multiplier enabled

0 = None

### 7.2.3.53 Interrupt Mask Register - IMR

This register allows masking of some of the interrupt sources. No interrupt is generated to the MCU and no flag is set in the ISR register. The 5.0 V Regulator overtemperature prewarning interrupt and undervoltage (VSUV) interrupts can not be masked and always causes an interrupt. Writing to the IMR returns the ISR.

**Table 30. Interrupt Mask Register - \$E**

|                 | C3  | C2  | C1   | C0  |
|-----------------|-----|-----|------|-----|
| Write           | HSM | LSM | LINM | VMM |
| Reset Value     | 1   | 1   | 1    | 1   |
| Reset Condition | POR |     |      |     |

### 7.2.3.54 HSM - High-side Interrupt Mask

This write-only bit enables/disables interrupts generated in the high-side block.

- 1 = HS Interrupts Enabled
- 0 = HS Interrupts Disabled

### 7.2.3.55 LSM - Low-side Interrupt Mask

This write-only bit enables/disables interrupts generated in the low-side block.

- 1 = LS Interrupts Enabled
- 0 = LS Interrupts Disabled

### 7.2.3.56 LINM - LIN Interrupts Mask

This write-only bit enables/disables interrupts generated in the LIN block.

- 1 = LIN Interrupts Enabled
- 0 = LIN Interrupts Disabled

### 7.2.3.57 VMM - Voltage Monitor Interrupt Mask

This write-only bit enables/disables interrupts generated in the voltage monitor block. The only maskable interrupt in the voltage monitor block is the  $V_{SUP}$  overvoltage interrupt.

- 1 = Interrupts Enabled
- 0 = Interrupts Disabled

### 7.2.3.58 Interrupt Source Register - ISR

This register allows the MCU to determine the source of the last interrupt or wake-up respectively. A read of the register acknowledges the interrupt and leads  $IRQ$  pin to high, in case there are no other pending interrupts. If there are pending interrupts,  $IRQ$  is driven high for 10 $\mu$ s and then be driven low again. This register is also returned when writing to the Interrupt Mask Register (IMR).

**Table 31. Interrupt Source Register - \$E/\$F**

|      | S3   | S2   | S1   | S0   |
|------|------|------|------|------|
| Read | ISR3 | ISR2 | ISR1 | ISR0 |

## 7.2.3.59 ISRx - Interrupt Source Register

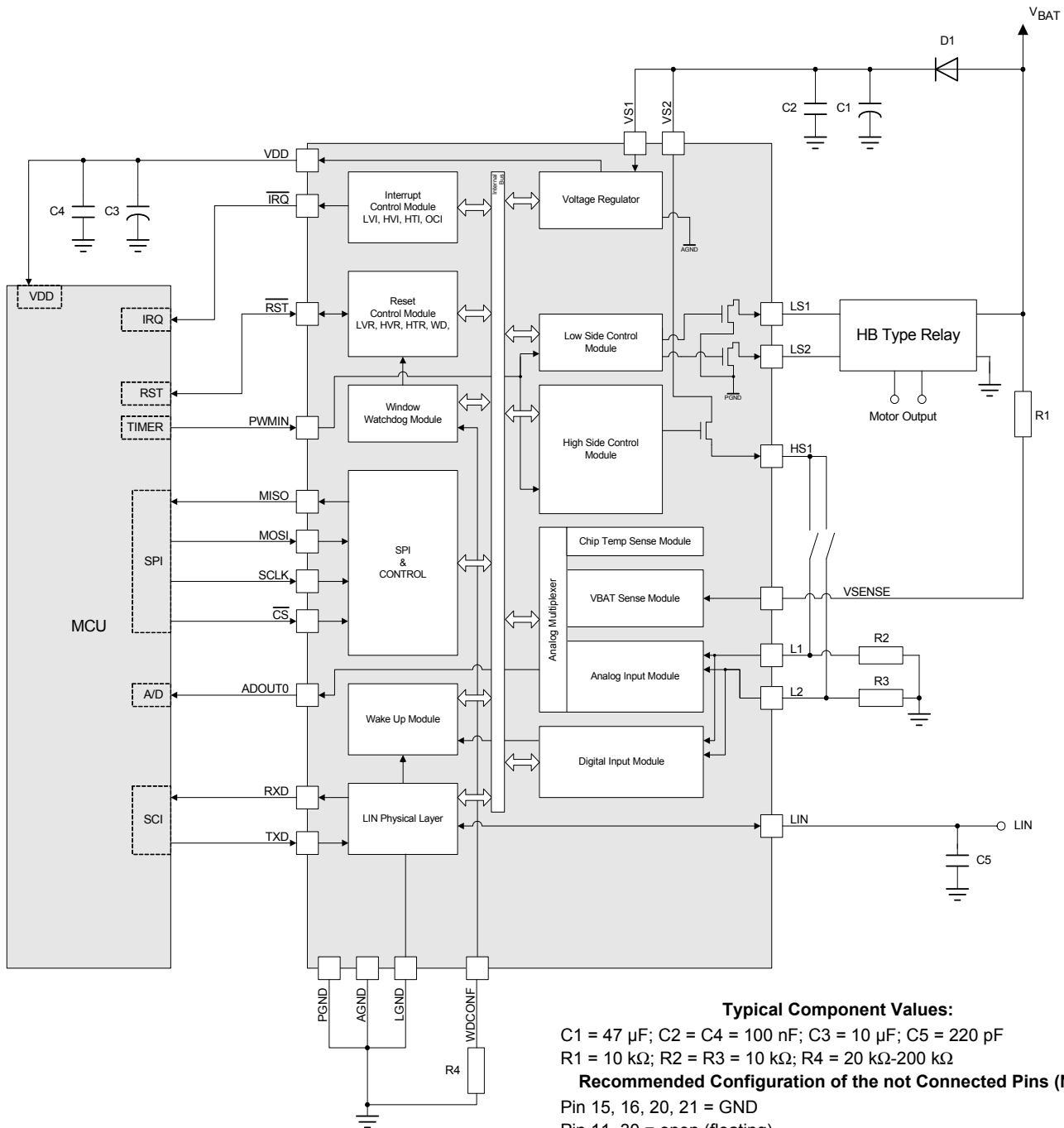
These read-only bits indicate the interrupt source following [Table 32](#). If no interrupt is pending then all bits are 0. In case more than one interrupt is pending, the interrupt sources are handled sequentially multiplex.

**Table 32. Interrupt Sources**

|      |      |      |      | Interrupt Source  |  | Priority |
|------|------|------|------|---|--|----------|
| ISR3 | ISR2 | ISR1 | ISR0 | none maskable   | maskable                                 |          |
| 0    | 0    | 0    | 0    | no interrupt  | no interrupt                             | none     |
| 0    | 0    | 0    | 1    | Lx Wake-up from Stop and Sleep mode                             | -  | highest  |
| 0    | 0    | 1    | 0    | -   | HS Interrupt (overtemperature)           |          |
| 0    | 0    | 1    | 1    | -   | LS Interrupt (overtemperature)           |          |
| 0    | 1    | 0    | 0    | LIN Wake-up   | LIN Interrupt (RXSHORT, TXDOM, LIN OT)   |          |
| 0    | 1    | 0    | 1    | Voltage Monitor Interrupt (low-voltage and VDD overtemperature) | Voltage Monitor Interrupt (high-voltage) |          |
| 0    | 1    | 1    | 0    | Forced Wake-up  | -  | lowest   |

# 8 Typical Application

The 33911 can be configured in several applications. The figure below shows the 33911 in the typical Slave Node Application.



**Typical Component Values:**

C1 = 47  $\mu$ F; C2 = C4 = 100 nF; C3 = 10  $\mu$ F; C5 = 220 pF  
 R1 = 10 k $\Omega$ ; R2 = R3 = 10 k $\Omega$ ; R4 = 20 k $\Omega$ -200 k $\Omega$

**Recommended Configuration of the not Connected Pins (NC):**

- Pin 15, 16, 20, 21 = GND
- Pin 11, 30 = open (floating)
- Pin 24 = open (floating) or VS2
- Pin 28 = this pin is not internally connected and may be used for PCB routing optimization.

## 9 MC33911BAC Product Specifications - page [53](#) to page [100](#)

# 10 Internal Block Diagram

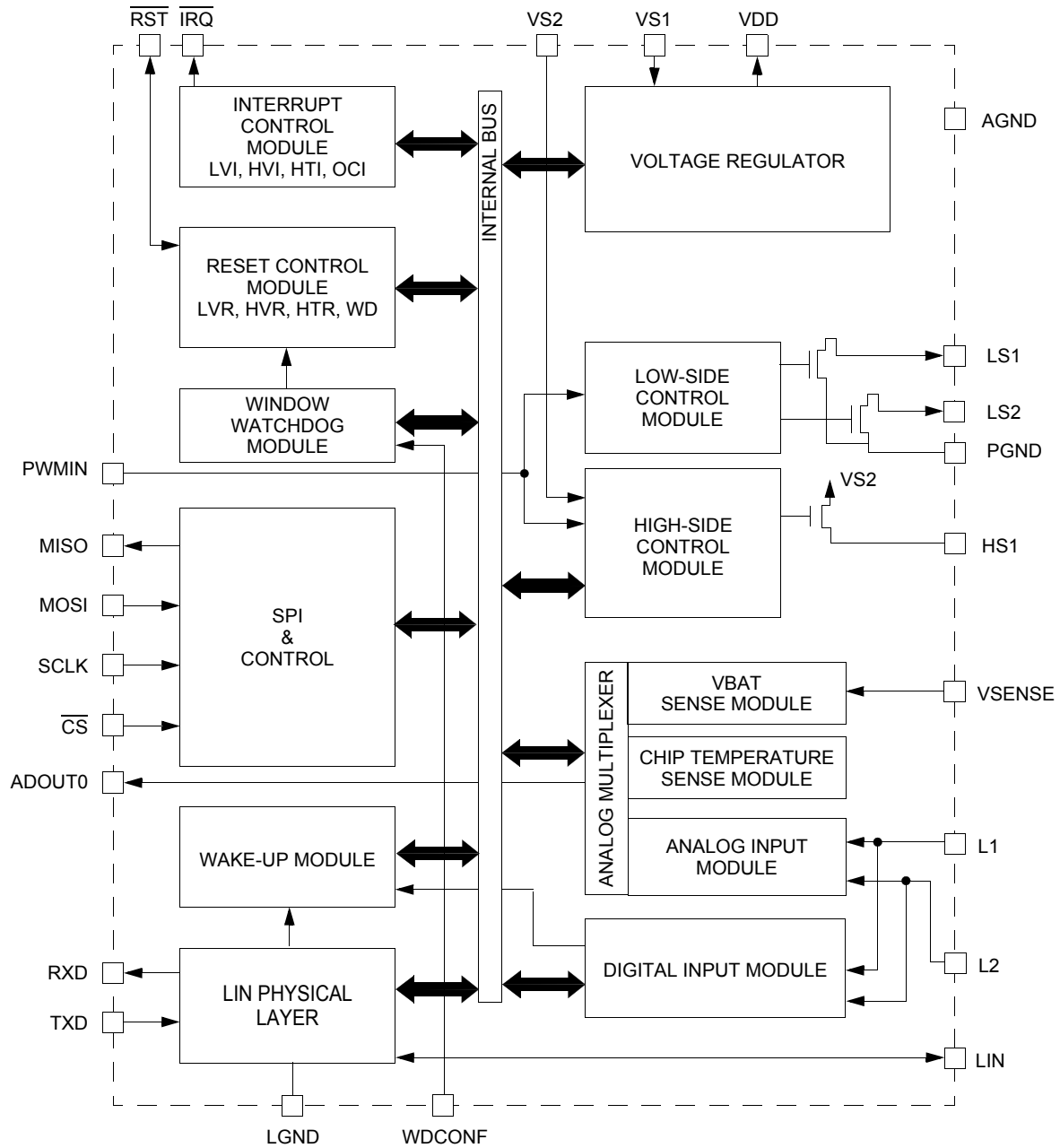


Figure 25. 33911BAC Simplified Internal Block Diagram

# 11 Pin Connections

# 12 Pinout Diagram

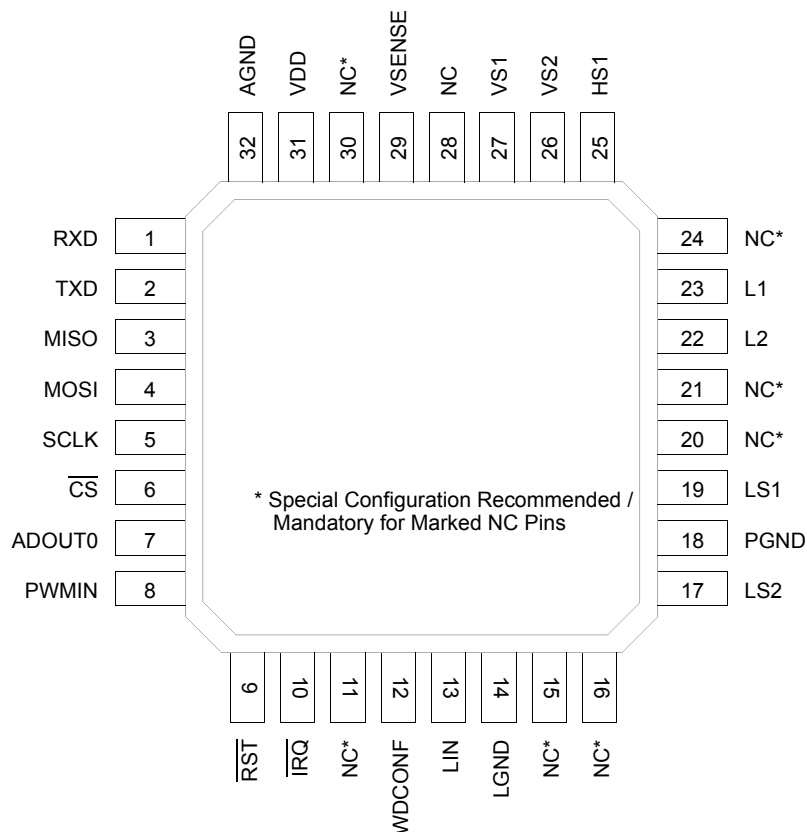


Figure 26. 33911 Pin Connections

## 12.1 Pin Definitions

A functional description of each pin can be found in the [Functional Pin Description](#) section.

Table 33. 33911 Pin Definitions

| Pin | Pin Name | Formal Name         | Definition  |
|-----|----------|---------------------|---|
| 1   | RXD      | Receiver Output     | This pin is the receiver output of the LIN interface which reports the state of the bus voltage to the MCU interface. |
| 2   | TXD      | Transmitter Input   | This pin is the transmitter input of the LIN interface which controls the state of the bus output.                    |
| 3   | MISO     | SPI Output          | SPI (Serial Peripheral Interface) data output. When $\overline{CS}$ is high, pin is in the high-impedance state.      |
| 4   | MOSI     | SPI Input           | SPI (Serial Peripheral Interface) data input.   |
| 5   | SCLK     | SPI Clock           | SPI (Serial Peripheral Interface) clock Input.  |
| 6   | CS       | SPI Chip Select     | SPI (Serial Peripheral Interface) chip select input pin. $\overline{CS}$ is active low.                               |
| 7   | ADOUT0   | Analog Output Pin 0 | Analog Multiplexer Output.  |

**Table 33. 33911 Pin Definitions**

| Pin      | Pin Name   | Formal Name                | Definition  |
|----------|------------|----------------------------|---|
| 8        | PWMIN      | PWM Input                  | High-side and low-side pulse-width modulation input.  |
| 9        | RST        | Internal Reset I/O         | Bidirectional reset I/O pin - driven low when any internal reset source is asserted. $\overline{\text{RST}}$ is active low.                     |
| 10       | IRQ        | Internal Interrupt Output  | Interrupt output pin, indicating wake-up events from Stop mode or events from Normal and Normal Request modes. IRQ is active low.               |
| 12       | WDCONF     | Watchdog Configuration Pin | This input pin is for configuration of the watchdog period and allows the disabling of the watchdog.  |
| 13       | LIN        | LIN Bus                    | This pin represents the single-wire bus transmitter and receiver.   |
| 14       | LGND       | LIN Ground Pin             | This pin is the device LIN ground connection. It is internally connected to the PGND pin.   |
| 17<br>19 | LS2<br>LS1 | Low-side Outputs           | Relay drivers low-side outputs.   |
| 18       | PGND       | Power Ground Pin           | This pin is the device low-side ground connection. It is internally connected to the LGND pin.  |
| 22<br>23 | L2<br>L1   | Wake-up Inputs             | These pins are the wake-up capable digital inputs <sup>(71)</sup> . In addition, all LX inputs can be sensed analog via the analog multiplexer. |
| 25       | HS1        | High-side Output           | High-side switch output.  |
| 26<br>27 | VS2<br>VS1 | Power Supply Pin           | These pins are device battery level power supply pins. VS2 is supplying the HS1 driver while VS1 supplies the remaining blocks. <sup>(72)</sup> |
| 29       | VSENSE     | Voltage Sense Pin          | Battery voltage sense input. <sup>(73)</sup>  |
| 31       | VDD        | Voltage Regulator Output   | +5.0V main voltage regulator output pin. <sup>(74)</sup>  |
| 32       | AGND       | Analog Ground Pin          | This pin is the device analog ground connection.  |

**Notes**

71. When used as a digital input, a series 33 k $\Omega$  resistor must be used to protect against automotive transients.
72. Reverse battery protection series diodes must be used externally to protect the internal circuitry.
73. This pin can be connected directly to the battery line for voltage measurements. The pin is self-protected against reverse battery connections. It is strongly recommended to connect a 10 k $\Omega$  resistor in series with this pin for protection purposes.
74. External capacitor (2.0  $\mu\text{F}$  < C < 100  $\mu\text{F}$ ; 0.1 $\Omega$  < ESR < 10  $\Omega$ ) required.



# 13 Electrical Characteristics

## 13.1 Maximum Ratings

**Table 34. Maximum Ratings**

All voltages are with respect to ground unless otherwise noted. Exceeding these ratings may cause a malfunction or permanent damage to the device.

| Symbol   | Ratings  | Value                                  | Unit | Notes                        |
|--|--|--|------|------------------------------|
| <b>Electrical Ratings</b>  |  |  |      |                              |
| $V_{SUP(SS)}$<br>$V_{SUP(PK)}$   | Supply Voltage at VS1 and VS2<br>• Normal Operation (DC)<br>• Transient Conditions (load dump)   | -0.3 to 27<br>-0.3 to 40               | V    |                              |
| $V_{DD}$   | Supply Voltage at VDD  | -0.3 to 5.5                            | V    |                              |
| $V_{IN}$<br>$V_{IN(IRQ)}$  | Input / Output Pins Voltage<br>• CS, RST, SCLK, PWDN, ADOUT0, MOSI, MISO, TXD, RXD<br>• Interrupt Pin (IRQ)  | -0.3 to $V_{DD} + 0.3$<br>-0.3 to 11   | V    | (75)<br>(76)                 |
| $V_{HS1}$  | HS1 Pin Voltage (DC)   | -0.3 to $V_{SUP} + 0.3$                | V    |                              |
| $V_{LS}$   | LS1 and LS2 Pin Voltage (DC)   | -0.3 to 45                             | V    |                              |
| $V_{LxDC}$<br>$V_{LxTR}$   | L1 and L2 Pin Voltage<br>• Normal Operation with a series 33 kΩ resistor (DC)<br>• Transient input voltage with external component (according to ISO7637-2)<br>(See <a href="#">Figure 28</a> )  | -18 to 40<br>±100                      | V    |                              |
| $V_{VSENSE}$   | VSENSE Pin Voltage (DC)  | -27 to 40                              | V    |                              |
| $V_{BUSDC}$<br>$V_{BUSTR}$   | LIN Pin Voltage<br>• Normal Operation (DC)<br>• Transient input voltage with external component (according to ISO7637-2)<br>(See <a href="#">Figure</a> .)   | -18 to 40<br>-150 to 100               | V    |                              |
| $I_{VDD}$  | VDD output current   | Internally Limited                     | A    |                              |
| $V_{ESD1-1}$<br>$V_{ESD1-2}$<br>$V_{ESD2}$<br>$V_{ESD3-1}$<br>$V_{ESD3-2}$ | ESD Voltage<br>• Human Body Model - LIN Pin<br>• Human Body Model - all other Pins<br>• Machine Model<br>• Charge Device Model<br>• Corner Pins (Pins 1, 8, 9, 16, 17, 24, 25, and 32)<br>• All other Pins (Pins 2-7, 10-15, 18-23, 26-31) | ±8000<br>±2000<br>±150<br>±750<br>±500 | V    | (77)<br>(77)<br>(78)<br>(79) |
| $V_{NC}$   | NC Pin Voltage (NC pins 11, 15, 16, 20, 21, 24, 28, and 30)  | <a href="#">Note 80</a>                |      | (80)                         |

**Notes**

- 75. Exceeding voltage limits on specified pins may cause a malfunction or permanent damage to the device.
- 76. Extended voltage range for programming purpose only.
- 77. Testing is performed in accordance with the Human Body Model ( $C_{ZAP} = 100$  pF,  $R_{ZAP} = 1500$  Ω),
- 78. Testing is performed in accordance with the Machine Model ( $C_{ZAP} = 200$  pF,  $R_{ZAP} = 0$  Ω),
- 79. Testing is performed in accordance with the Charge Device Model, Robotic ( $C_{ZAP} = 4.0$  pF).
- 80. Special configuration recommended / mandatory for marked NC pins. Please refer to the typical application shown on page [100](#).

**Table 34. Maximum Ratings (continued)**

All voltages are with respect to ground unless otherwise noted. Exceeding these ratings may cause a malfunction or permanent damage to the device.

| Symbol                 | Ratings   | Value                   | Unit | Notes                    |
|------------------------|---|-------------------------|------|--------------------------|
| <b>Thermal Ratings</b> |   |                         |      |                          |
| $T_A$                  | Operating Ambient Temperature<br>• 33911<br>• 34911   | -40 to 125<br>-40 to 85 | °C   | (81)                     |
| $T_J$                  | Operating Junction Temperature  | -40 to 150              | °C   |                          |
| $T_{STG}$              | Storage Temperature   | -55 to 150              | °C   |                          |
| $R_{\theta JA}$        | Thermal Resistance, Junction to Ambient<br>• Natural Convection, Single Layer board (1s)<br>• Natural Convection, Four Layer board (2s2p) <sup>(82), (84)</sup> | 85<br>56                | °C/W | (82), (83)<br>(82), (84) |
| $R_{\theta JC}$        | Thermal Resistance, Junction to Case  | 23                      | °C/W | (85)                     |
| $T_{PPRT}$             | Peak Package Reflow Temperature During Reflow   | Note 87                 | °C   | (86), (87)               |

**Notes**

81. The limiting factor is junction temperature; taking into account the power dissipation, thermal resistance, and heat sinking.
82. Junction temperature is a function of on-chip power dissipation, package thermal resistance, mounting site (board) temperature, ambient temperature, air flow, power dissipation of other components on the board, and board thermal resistance.
83. Per JEDEC JESD51-2 with the single layer board (JESD51-3) horizontal.
84. Per JEDEC JESD51-6 with the board (JESD51-7) horizontal.
85. Thermal resistance between the die and the case top surface as measured by the cold plate method (MIL SPEC-883 Method 1012.1).
86. Pin soldering temperature limit is for 10 seconds maximum duration. Not designed for immersion soldering. Exceeding these limits may cause malfunction or permanent damage to the device.
87. Freescale's Package Reflow capability meets Pb-free requirements for JEDEC standard J-STD-020C. For Peak Package Reflow Temperature and Moisture Sensitivity Levels (MSL), Go to [www.freescale.com](http://www.freescale.com), search by part number [e.g. remove prefixes/suffixes and enter the core ID to view all orderable parts. (i.e. MC33xxx enter 33xxx), and review parametrics.

## 13.2 Static Electrical Characteristics

**Table 35. Static Electrical Characteristics**

Characteristics noted under conditions  $5.5\text{ V} \leq V_{\text{SUP}} \leq 18\text{ V}$ ,  $-40\text{ }^\circ\text{C} \leq T_{\text{A}} \leq 125\text{ }^\circ\text{C}$  for the 33911 and  $-40\text{ }^\circ\text{C} \leq T_{\text{A}} \leq 85\text{ }^\circ\text{C}$  for the 34911, unless otherwise noted. Typical values noted reflect the approximate parameter mean at  $T_{\text{A}} = 25\text{ }^\circ\text{C}$  under nominal conditions, unless otherwise noted.

| Symbol | Characteristic | Min | Typ | Max | Unit | Notes |
|--------|----------------|-----|-----|-----|------|-------|
|--------|----------------|-----|-----|-----|------|-------|

### Supply Voltage Range (VS1, VS2)

|                    |                              |     |   |    |   |      |
|--------------------|------------------------------|-----|---|----|---|------|
| $V_{\text{SUP}}$   | Nominal Operating Voltage    | 5.5 | – | 18 | V |      |
| $V_{\text{SUPOP}}$ | Functional Operating Voltage | –   | – | 27 | V | (88) |
| $V_{\text{SUPLD}}$ | Load Dump                    | –   | – | 40 | V |      |

### Supply Current Range ( $V_{\text{SUP}} = 13.5\text{ V}$ )

|                     |   |        |          |          |               |                     |
|---------------------|---|--------|----------|----------|---------------|---------------------|
| $I_{\text{RUN}}$    | Normal Mode ( $I_{\text{OUT}}$ at $V_{\text{DD}} = 10\text{ mA}$ ), LIN Recessive State   | –      | 4.5      | 10       | mA            | (89)                |
| $I_{\text{STOP}}$   | Stop Mode, VDD ON with $I_{\text{OUT}} = 100\text{ }\mu\text{A}$ , LIN Recessive State<br>• $5.5\text{ V} < V_{\text{SUP}} < 12\text{ V}$<br>• $V_{\text{SUP}} = 13.5\text{ V}$ | –<br>– | 48<br>58 | 80<br>90 | $\mu\text{A}$ | (89), (90),<br>(91) |
| $I_{\text{SLEEP}}$  | Sleep Mode, VDD OFF, LIN Recessive State<br>• $5.5\text{ V} < V_{\text{SUP}} < 12\text{ V}$<br>• $12\text{ V} \leq V_{\text{SUP}} < 13.5\text{ V}$                              | –<br>– | 27<br>37 | 35<br>48 | $\mu\text{A}$ | (89), (91)          |
| $I_{\text{CYCLIC}}$ | Cyclic Sense Supply Current Adder   | –      | 10       | –        | $\mu\text{A}$ | (92)                |

### Supply Under/over Voltage Detections

|   |   |           |              |           |   |                      |
|---|---|-----------|--------------|-----------|---|----------------------|
| $V_{\text{BATFAIL}}$<br>$V_{\text{BATFAIL\_HYS}}$ | Power-On Reset (BATFAIL)<br>• Threshold (measured on VS1)<br>• Hysteresis (measured on VS1)   | 1.5<br>–  | 3.0<br>0.9   | 3.9<br>–  | V | (93)<br>(92)<br>(92) |
| $V_{\text{SUUV}}$<br>$V_{\text{SUUV\_HYS}}$       | $V_{\text{SUP}}$ Undervoltage Detection (VSUV Flag) (Normal and Normal Request Modes, Interrupt Generated)<br>• Threshold (measured on VS1)<br>• Hysteresis (measured on VS1) | 5.55<br>– | 6.0<br>1.0   | 6.6<br>–  | V |                      |
| $V_{\text{SOV}}$<br>$V_{\text{SOV\_HYS}}$         | $V_{\text{SUP}}$ Overvoltage Detection (VSOV Flag) (Normal and Normal Request Modes, Interrupt Generated)<br>• Threshold (measured on VS1)<br>• Hysteresis (measured on VS1)  | 18<br>–   | 19.25<br>1.0 | 20.5<br>– | V |                      |

### Notes

88. Device is fully functional. All features are operating.
89. Total current ( $I_{\text{VS1}} + I_{\text{VS2}}$ ) measured at GND pins excluding all loads, cyclic sense disabled.
90. Total  $I_{\text{DD}}$  current (including loads) below  $100\text{ }\mu\text{A}$ .
91. Stop and Sleep modes current increases if  $V_{\text{SUP}}$  exceeds  $13.5\text{ V}$ .
92. This parameter is guaranteed by process monitoring but not production tested.
93. The flag is set during power-up sequence. To clear the flag, a SPI read must be performed.

**Table 35. Static Electrical Characteristics (continued)**

Characteristics noted under conditions  $5.5\text{ V} \leq V_{\text{SUP}} \leq 18\text{ V}$ ,  $-40\text{ }^\circ\text{C} \leq T_{\text{A}} \leq 125\text{ }^\circ\text{C}$  for the 33911 and  $-40\text{ }^\circ\text{C} \leq T_{\text{A}} \leq 85\text{ }^\circ\text{C}$  for the 34911, unless otherwise noted. Typical values noted reflect the approximate parameter mean at  $T_{\text{A}} = 25\text{ }^\circ\text{C}$  under nominal conditions, unless otherwise noted.

| Symbol   | Characteristic   | Min    | Typ       | Max      | Unit | Notes |
|--|--|--------|-----------|----------|------|-------|
| <b>Voltage Regulator <sup>(94)</sup> (VDD)</b> |  |        |           |          |      |       |
| V <sub>DDRUN</sub>                             | Normal Mode Output Voltage<br>• $1.0\text{ mA} < I_{\text{VDD}} < 50\text{ mA}$ ; $5.5\text{ V} < V_{\text{SUP}} < 27\text{ V}$  | 4.75   | 5.00      | 5.25     | V    |       |
| I <sub>VDDRUN</sub>                            | Normal Mode Output Current Limitation  | 60     | 110       | 200      | mA   |       |
| V <sub>DDDROP</sub>                            | Dropout Voltage<br>• $I_{\text{VDD}} = 50\text{ mA}$   | –      | 0.1       | 0.25     | V    | (95)  |
| V <sub>DDSTOP</sub>                            | Stop Mode Output Voltage<br>• $I_{\text{VDD}} < 5.0\text{ mA}$   | 4.75   | 5.0       | 5.25     | V    |       |
| I <sub>VDDSTOP</sub>                           | Stop Mode Output Current Limitation  | 6.0    | 12        | 36       | mA   |       |
| LR <sub>RUN</sub><br>LR <sub>STOP</sub>        | Line Regulation<br>• Normal Mode, $5.5\text{ V} < V_{\text{SUP}} < 18\text{ V}$ ; $I_{\text{VDD}} = 10\text{ mA}$<br>• Stop Mode, $5.5\text{ V} < V_{\text{SUP}} < 18\text{ V}$ ; $I_{\text{VDD}} = 1.0\text{ mA}$ | –<br>– | 20<br>5.0 | 25<br>25 | mV   |       |
| LD <sub>RUN</sub><br>LD <sub>STOP</sub>        | Load Regulation<br>• Normal Mode, $1.0\text{ mA} < I_{\text{VDD}} < 50\text{ mA}$<br>• Stop Mode, $0.1\text{ mA} < I_{\text{VDD}} < 5.0\text{ mA}$   | –<br>– | 15<br>10  | 80<br>50 | mV   |       |
| T <sub>PRE</sub>                               | Overtemperature Prewarning (Junction)<br>• Interrupt generated, Bit VDDOT Set  | 110    | 125       | 140      | °C   | (96)  |
| T <sub>PRE_HYS</sub>                           | Overtemperature Prewarning hysteresis  | –      | 10        | –        | °C   | (96)  |
| T <sub>SD</sub>                                | Overtemperature Shutdown Temperature (Junction)  | 155    | 170       | 185      | °C   | (96)  |
| T <sub>SD_HYS</sub>                            | Overtemperature Shutdown hysteresis  | –      | 10        | –        | °C   | (96)  |

**Notes**

94. Specification with external capacitor  $2.0\text{ }\mu\text{F} < C < 100\text{ }\mu\text{F}$  and  $100\text{ m}\Omega \leq \text{ESR} \leq 10\text{ }\Omega$ .

95. Measured when voltage has dropped 250 mV below its nominal Value (5.0 V).

96. This parameter is guaranteed by process monitoring but not production tested.

**Table 35. Static Electrical Characteristics (continued)**

Characteristics noted under conditions  $5.5\text{ V} \leq V_{\text{SUP}} \leq 18\text{ V}$ ,  $-40\text{ }^\circ\text{C} \leq T_{\text{A}} \leq 125\text{ }^\circ\text{C}$  for the 33911 and  $-40\text{ }^\circ\text{C} \leq T_{\text{A}} \leq 85\text{ }^\circ\text{C}$  for the 34911, unless otherwise noted. Typical values noted reflect the approximate parameter mean at  $T_{\text{A}} = 25\text{ }^\circ\text{C}$  under nominal conditions, unless otherwise noted.

| Symbol  | Characteristic   | Min                        | Typ  | Max                        | Unit          | Notes |
|---|--|----------------------------|------|----------------------------|---------------|-------|
| <b>RST Input/Output Pin (<math>\overline{\text{RST}}</math>)</b>      |  |                            |      |                            |               |       |
| $V_{\overline{\text{RST}}\text{TH}}$                                  | VDD Low-Voltage Reset Threshold  | 4.3                        | 4.5  | 4.7                        | V             |       |
| $V_{\text{OL}}$   | Low-state Output Voltage<br>• $I_{\text{OUT}} = 1.5\text{ mA}$ ; $3.5\text{ V} \leq V_{\text{SUP}} \leq 27\text{ V}$ | 0.0                        | –    | 0.9                        | V             |       |
| $I_{\text{OH}}$   | High-state Output Current ( $0 < V_{\text{OUT}} < 3.5\text{ V}$ )  | -150                       | -250 | -350                       | $\mu\text{A}$ |       |
| $I_{\text{PD\_MAX}}$  | Pull-down Current Limitation (internally limited)<br>$V_{\text{OUT}} = V_{\text{DD}}$                                | 1.5                        | –    | 8.0                        | mA            |       |
| $V_{\text{IL}}$   | Low-state Input Voltage  | -0.3                       | –    | $0.3 \times V_{\text{DD}}$ | V             |       |
| $V_{\text{IH}}$   | High-state Input Voltage   | $0.7 \times V_{\text{DD}}$ | –    | $V_{\text{DD}} + 0.3$      | V             |       |
| <b>MISO SPI Output Pin (MISO)</b>                                     |  |                            |      |                            |               |       |
| $V_{\text{OL}}$   | Low-state Output Voltage<br>• $I_{\text{OUT}} = 1.5\text{ mA}$   | 0.0                        | –    | 1.0                        | V             |       |
| $V_{\text{OH}}$   | High-state Output Voltage<br>• $I_{\text{OUT}} = -250\text{ }\mu\text{A}$  | $V_{\text{DD}} - 0.9$      | –    | $V_{\text{DD}}$            | V             |       |
| $I_{\text{TRIMISO}}$  | Tri-state Leakage Current<br>• $0\text{ V} \leq V_{\text{MISO}} \leq V_{\text{DD}}$                                  | -10                        | –    | 10                         | $\mu\text{A}$ |       |
| <b>SPI Input Pins (MOSI, SCLK, <math>\overline{\text{CS}}</math>)</b> |  |                            |      |                            |               |       |
| $V_{\text{IL}}$   | Low-state Input Voltage  | -0.3                       | –    | $0.3 \times V_{\text{DD}}$ | V             |       |
| $V_{\text{IH}}$   | High-state Input Voltage   | $0.7 \times V_{\text{DD}}$ | –    | $V_{\text{DD}} + 0.3$      | V             |       |
| $I_{\text{IN}}$   | MOSI, SCLK Input Current<br>• $0\text{ V} \leq V_{\text{IN}} \leq V_{\text{DD}}$                                     | -10                        | –    | 10                         | $\mu\text{A}$ |       |
| $I_{\text{PUCS}}$   | $\overline{\text{CS}}$ Pull-up Current<br>• $0\text{ V} < V_{\text{IN}} < 3.5\text{ V}$                              | 10                         | 20   | 30                         | $\mu\text{A}$ |       |
| <b>Interrupt Output Pin (<math>\overline{\text{IRQ}}</math>)</b>      |  |                            |      |                            |               |       |
| $V_{\text{OL}}$   | Low-state Output Voltage<br>• $I_{\text{OUT}} = 1.5\text{ mA}$   | 0.0                        | –    | 0.8                        | V             |       |
| $V_{\text{OH}}$   | High-state Output Voltage<br>• $I_{\text{OUT}} = -250\text{ }\mu\text{A}$  | $V_{\text{DD}} - 0.8$      | –    | $V_{\text{DD}}$            | V             |       |
| $V_{\text{OH}}$   | Leakage Current<br>• $V_{\text{DD}} \leq V_{\text{OUT}} \leq 10\text{ V}$  | –                          | –    | 2.0                        | mA            |       |
| <b>Pulse Width Modulation Input Pin (PWMIN)</b>                       |  |                            |      |                            |               |       |
| $V_{\text{IL}}$   | Low-state Input Voltage  | -0.3                       | –    | $0.3 \times V_{\text{DD}}$ | V             |       |
| $V_{\text{IH}}$   | High-state Input Voltage   | $0.7 \times V_{\text{DD}}$ | –    | $V_{\text{DD}} + 0.3$      | V             |       |
| $I_{\text{PUPWMIN}}$  | Pull-up current<br>• $0\text{ V} < V_{\text{IN}} < 3.5\text{ V}$   | 10                         | 20   | 30                         | $\mu\text{A}$ |       |

**Table 35. Static Electrical Characteristics (continued)**

Characteristics noted under conditions  $5.5\text{ V} \leq V_{\text{SUP}} \leq 18\text{ V}$ ,  $-40\text{ }^\circ\text{C} \leq T_{\text{A}} \leq 125\text{ }^\circ\text{C}$  for the 33911 and  $-40\text{ }^\circ\text{C} \leq T_{\text{A}} \leq 85\text{ }^\circ\text{C}$  for the 34911, unless otherwise noted. Typical values noted reflect the approximate parameter mean at  $T_{\text{A}} = 25\text{ }^\circ\text{C}$  under nominal conditions, unless otherwise noted.

| Symbol                                | Characteristic   | Min                  | Typ | Max | Unit             | Notes           |
|---------------------------------------|--|----------------------|-----|-----|------------------|-----------------|
| <b>High-side Output HS1 PIN (HS1)</b> |  |                      |     |     |                  |                 |
| $R_{\text{DS(on)}}$                   | Output Drain-to-Source On resistance<br><ul style="list-style-type: none"> <li>• <math>T_{\text{J}} = 25\text{ }^\circ\text{C}</math>, <math>I_{\text{LOAD}} = 50\text{ mA}</math>; <math>V_{\text{SUP}} &gt; 9.0\text{ V}</math></li> <li>• <math>T_{\text{J}} = 150\text{ }^\circ\text{C}</math>, <math>I_{\text{LOAD}} = 50\text{ mA}</math>; <math>V_{\text{SUP}} &gt; 9.0\text{ V}</math></li> <li>• <math>T_{\text{J}} = 150\text{ }^\circ\text{C}</math>, <math>I_{\text{LOAD}} = 30\text{ mA}</math>; <math>5.5\text{ V} &lt; V_{\text{SUP}} &lt; 9.0\text{ V}</math></li> </ul> | –                    | –   | 7.0 | $\Omega$         | (97)            |
|                                       |  | –                    | –   | 10  |                  | (97)            |
|                                       |  | –                    | –   | 14  |                  | (97)            |
| $I_{\text{LIMHS1}}$                   | Output Current Limitation<br><ul style="list-style-type: none"> <li>• <math>0\text{ V} &lt; V_{\text{OUT}} &lt; V_{\text{SUP}} - 2.0\text{ V}</math></li> </ul>  | 60                   | 120 | 250 | mA               | (98)            |
| $I_{\text{OLHS1}}$                    | Open Load Current Detection  | –                    | 5.0 | 7.5 | mA               | (99)            |
| $I_{\text{LEAK}}$                     | Leakage Current<br><ul style="list-style-type: none"> <li>• <math>-0.2\text{ V} &lt; V_{\text{HS1}} &lt; V_{\text{S2}} + 0.2\text{ V}</math></li> </ul>  | –                    | –   | 10  | $\mu\text{A}$    |                 |
| $V_{\text{THSC}}$                     | Short-circuit Detection Threshold<br><ul style="list-style-type: none"> <li>• <math>5.5\text{ V} &lt; V_{\text{SUP}} &lt; 27\text{ V}</math></li> </ul>  | $V_{\text{SUP}} - 2$ | –   | –   | V                | (100)           |
| $T_{\text{HSSD}}$                     | Overtemperature Shutdown   | 150                  | 165 | 180 | $^\circ\text{C}$ | (101),<br>(106) |
| $T_{\text{HSSD\_HYS}}$                | Overtemperature Shutdown Hysteresis  | –                    | 10  | –   | $^\circ\text{C}$ | (106)           |

**Low-side Outputs LS1 and LS2 PINS (LS1, LS2)**

|                        |   |                      |     |                      |                  |                 |
|------------------------|---|----------------------|-----|----------------------|------------------|-----------------|
| $R_{\text{DS(ON)}}$    | Output Drain-to-Source On resistance<br><ul style="list-style-type: none"> <li>• <math>T_{\text{J}} = 25\text{ }^\circ\text{C}</math>, <math>I_{\text{LOAD}} = 150\text{ mA}</math>, <math>V_{\text{SUP}} &gt; 9.0\text{ V}</math></li> <li>• <math>T_{\text{J}} = 125\text{ }^\circ\text{C}</math>, <math>I_{\text{LOAD}} = 150\text{ mA}</math>, <math>V_{\text{SUP}} &gt; 9.0\text{ V}</math></li> <li>• <math>T_{\text{J}} = 125\text{ }^\circ\text{C}</math>, <math>I_{\text{LOAD}} = 120\text{ mA}</math>, <math>5.5\text{ V} &lt; V_{\text{SUP}} &lt; 9.0\text{ V}</math></li> </ul> | –                    | –   | 2.5                  | $\Omega$         |                 |
|                        |   | –                    | –   | 4.5                  |                  |                 |
|                        |   | –                    | –   | 10                   |                  |                 |
| $I_{\text{LIMLSX}}$    | Output Current Limitation<br><ul style="list-style-type: none"> <li>• <math>2.0\text{ V} &lt; V_{\text{OUT}} &lt; V_{\text{SUP}}</math></li> </ul>  | 160                  | 275 | 350                  | mA               | (102)           |
| $I_{\text{OLLSX}}$     | Open Load Current Detection   | –                    | 8.0 | 12                   | mA               | (103)           |
| $I_{\text{LEAK}}$      | Leakage Current<br><ul style="list-style-type: none"> <li>• <math>-0.2\text{ V} &lt; V_{\text{OUT}} &lt; V_{\text{S1}}</math></li> </ul>  | –                    | –   | 10                   | $\mu\text{A}$    |                 |
| $V_{\text{CLAMP}}$     | Active Output Energy Clamp<br><ul style="list-style-type: none"> <li>• <math>I_{\text{OUT}} = 150\text{ mA}</math></li> </ul>   | $V_{\text{SUP}} + 2$ | –   | $V_{\text{SUP}} + 5$ | V                |                 |
| $V_{\text{THSC}}$      | Short-circuit Detection Threshold<br><ul style="list-style-type: none"> <li>• <math>5.5\text{ V} &lt; V_{\text{SUP}} &lt; 27\text{ V}</math></li> </ul>   | 2.0                  | –   | –                    | V                | (104)           |
| $T_{\text{LSSD}}$      | Overtemperature Shutdown  | 150                  | 165 | 180                  | $^\circ\text{C}$ | (105),<br>(106) |
| $T_{\text{LSSD\_HYS}}$ | Overtemperature Shutdown Hysteresis   | –                    | 10  | –                    | $^\circ\text{C}$ | (106)           |

**Notes**

97. This parameter is production tested up to  $T_{\text{A}} = 125\text{ }^\circ\text{C}$  and guaranteed by process monitoring up to  $T_{\text{J}} = 150\text{ }^\circ\text{C}$ .
98. When overcurrent occurs, the high-side stays ON with limited current capability and the HS1CL flag is set in the HSSR.
99. When open Load occurs, the flag (HS1OP) is set in the HSSR.
100. When short-circuit occurs and if the HVSE flag is enabled, HS1 automatically shutdown.
101. When overtemperature Shutdown occurs, the high-side is turned off. All flags in HSSR are set.
102. When overcurrent occurs, the corresponding low-side stays ON with limited current capability and the LSxCL flag is set in the LSSR.
103. When open load occurs, the flag (LSxOP) is set in the LSSR.
104. When short-circuit occurs and if the HVSE flag is enabled, both LS automatically shutdown.
105. When overtemperature shutdown occurs, both low-sides are turned off. All flags in LSSR are set.
106. Guaranteed by characterization but not production tested

**Table 35. Static Electrical Characteristics (continued)**

Characteristics noted under conditions  $5.5\text{ V} \leq V_{\text{SUP}} \leq 18\text{ V}$ ,  $-40\text{ }^\circ\text{C} \leq T_{\text{A}} \leq 125\text{ }^\circ\text{C}$  for the 33911 and  $-40\text{ }^\circ\text{C} \leq T_{\text{A}} \leq 85\text{ }^\circ\text{C}$  for the 34911, unless otherwise noted. Typical values noted reflect the approximate parameter mean at  $T_{\text{A}} = 25\text{ }^\circ\text{C}$  under nominal conditions, unless otherwise noted.

| Symbol                                       | Characteristic  | Min          | Typ        | Max          | Unit             | Notes |
|--|---|--------------|------------|--------------|------------------|-------|
| <b>L1 and L2 Input Pins (L1, L2)</b>         |   |              |            |              |                  |       |
| $V_{\text{THL}}$                             | Low Detection Threshold<br>• $5.5\text{ V} < V_{\text{SUP}} < 27\text{ V}$  | 2.0          | 2.5        | 3.0          | V                |       |
| $V_{\text{THH}}$                             | High Detection Threshold<br>• $5.5\text{ V} < V_{\text{SUP}} < 27\text{ V}$   | 3.0          | 3.5        | 4.0          | V                |       |
| $V_{\text{HYS}}$                             | Hysteresis<br>• $5.5\text{ V} < V_{\text{SUP}} < 27\text{ V}$   | 0.5          | 1.0        | 1.5          | V                |       |
| $I_{\text{IN}}$                              | Input Current<br>• $-0.2\text{ V} < V_{\text{IN}} < V_{\text{S1}}$  | -10          | –          | 10           | $\mu\text{A}$    | (107) |
| $R_{\text{LXIN}}$                            | Analog Input Impedance  | 800          | 1550       | –            | $\text{k}\Omega$ | (108) |
| $\text{RATIO}_{\text{Lx}}$                   | Analog Input Divider Ratio ( $\text{RATIO}_{\text{Lx}} = V_{\text{Lx}} / V_{\text{ADOUT0}}$ )<br>• LXDS (Lx Divider Select) = 0<br>• LXDS (Lx Divider Select) = 1 | 0.95<br>3.42 | 1.0<br>3.6 | 1.05<br>3.78 |                  |       |
| $V_{\text{RATIO}_{\text{Lx}}\text{-OFFSET}}$ | Analog Output offset Ratio<br>• LXDS (Lx Divider Select) = 0<br>• LXDS (Lx Divider Select) = 1  | -80<br>-22   | 0.0<br>0.0 | 80<br>22     | mV               |       |
| $\text{Lx}_{\text{MATCHING}}$                | Analog Inputs Matching<br>• LXDS (Lx Divider Select) = 0<br>• LXDS (Lx Divider Select) = 1  | 96<br>96     | 100<br>100 | 104<br>104   | %                |       |

**Window Watchdog Configuration Pin (WDCONF)**

|                          |   |     |   |     |                  |       |
|--------------------------|---|-----|---|-----|------------------|-------|
| $R_{\text{EXT}}$         | External Resistor Range   | 20  | – | 200 | $\text{k}\Omega$ |       |
| $\text{WD}_{\text{ACC}}$ | Watchdog Period Accuracy with External Resistor (Excluding Resistor Accuracy) | -15 | – | 15  | %                | (109) |

**Analog Multiplexer**

|                                 |  |            |        |          |      |  |
|---------------------------------|--|------------|--------|----------|------|--|
| $S_{\text{TTOV}}$               | Internal Chip Temperature Sense Gain   | –          | 10.5   | –        | mV/K |  |
| $\text{RATIO}_{\text{VSENSE}}$  | VSENSE Input Divider Ratio ( $\text{RATIO}_{\text{VSENSE}} = V_{\text{VSENSE}} / V_{\text{ADOUT0}}$ )<br>• $5.5\text{ V} < V_{\text{SUP}} < 27\text{ V}$ | 5.0        | 5.25   | 5.5      |      |  |
| $\text{OFFSET}_{\text{VSENSE}}$ | VSENSE Output Related Offset<br>• $-40\text{ }^\circ\text{C} < T_{\text{A}} < -20\text{ }^\circ\text{C}$   | -30<br>-45 | –<br>– | 30<br>45 | mV   |  |

**Analog Output (ADOUT0)**

|                       |   |                        |   |                 |   |  |
|-----------------------|---|------------------------|---|-----------------|---|--|
| $V_{\text{OUT\_MAX}}$ | Maximum Output Voltage<br>• $-5.0\text{ mA} < I_{\text{O}} < 5.0\text{ mA}$ | $V_{\text{DD}} - 0.35$ | – | $V_{\text{DD}}$ | V |  |
| $V_{\text{OUT\_MIN}}$ | Minimum Output Voltage<br>• $-5.0\text{ mA} < I_{\text{O}} < 5.0\text{ mA}$ | 0.0                    | – | 0.35            | V |  |

**Notes**

107. Analog Multiplexer input disconnected from Lx input pin.  
 108. Analog Multiplexer input connected to Lx input pin.  
 109. Watchdog timing period calculation formula:  $t_{\text{PWD}} [\text{ms}] = 0.466 * (R_{\text{EXT}} - 20) + 10$  ( $R_{\text{EXT}}$  in  $\text{k}\Omega$ )

**Table 35. Static Electrical Characteristics (continued)**

Characteristics noted under conditions  $5.5\text{ V} \leq V_{\text{SUP}} \leq 18\text{ V}$ ,  $-40\text{ }^\circ\text{C} \leq T_A \leq 125\text{ }^\circ\text{C}$  for the 33911 and  $-40\text{ }^\circ\text{C} \leq T_A \leq 85\text{ }^\circ\text{C}$  for the 34911, unless otherwise noted. Typical values noted reflect the approximate parameter mean at  $T_A = 25\text{ }^\circ\text{C}$  under nominal conditions, unless otherwise noted.

| Symbol  | Characteristic  | Min                            | Typ                | Max                        | Unit                                       | Notes |
|---|---|--------------------------------|--------------------|----------------------------|--|-------|
| <b>RxD Output Pin (LIN Physical Layer) (RxD)</b>  |   |                                |                    |                            |  |       |
| $V_{\text{OL}}$   | Low-state Output Voltage<br>• $I_{\text{OUT}} = 1.5\text{ mA}$  | 0.0                            | –                  | 0.8                        | V  |       |
| $V_{\text{OH}}$   | High-state Output Voltage<br>• $I_{\text{OUT}} = -250\text{ }\mu\text{A}$   | $V_{\text{DD}} - 0.8$          | –                  | $V_{\text{DD}}$            | V  |       |
| <b>TxD Input Pin (LIN Physical Layer) (TxD)</b>   |   |                                |                    |                            |  |       |
| $V_{\text{IL}}$   | Low-state Input Voltage   | -0.3                           | –                  | $0.3 \times V_{\text{DD}}$ | V  |       |
| $V_{\text{IH}}$   | High-state Input Voltage  | $0.7 \times V_{\text{DD}}$     | –                  | $V_{\text{DD}} + 0.3$      | V  |       |
| $I_{\text{PUIN}}$   | Pin Pull-up Current, $0\text{ V} < V_{\text{IN}} < 3.5\text{ V}$  | 10                             | 20                 | 30                         | $\mu\text{A}$                              |       |
| <b>LIN Physical Layer, Transceiver (LIN) <sup>(110)</sup></b>   |   |                                |                    |                            |  |       |
| $I_{\text{BUSLIM}}$   | Output Current Limitation<br>• Dominant State, $V_{\text{BUS}} = 18\text{ V}$   | 40                             | 120                | 200                        | mA   |       |
| $I_{\text{BUS\_PAS\_DOM}}$<br>$I_{\text{BUS\_PAS\_REC}}$<br>$I_{\text{BUS\_NO\_GND}}$<br>$I_{\text{BUS}}$ | Leakage Output Current to GND<br>• Dominant State; $V_{\text{BUS}} = 0\text{ V}$ ; $V_{\text{BAT}} = 12\text{ V}$<br>• Recessive State; $8.0\text{ V} < V_{\text{BAT}} < 18\text{ V}$ ; $8.0\text{ V} < V_{\text{BUS}} < 18\text{ V}$ ; $V_{\text{BUS}} \geq V_{\text{BAT}}$<br>• GND Disconnected; $G_{\text{ND\_DEVICE}} = V_{\text{SUP}}$ ; $V_{\text{BAT}} = 12\text{ V}$ ; $0\text{ V} < V_{\text{BUS}} < 18\text{ V}$<br>• $V_{\text{BAT}}$ Disconnected; $V_{\text{SUP\_DEVICE}} = \text{GND}$ ; $0\text{ V} < V_{\text{BUS}} < 18\text{ V}$ | -1.0<br>–<br>-1.0<br>–         | –<br>–<br>–<br>–   | –<br>20<br>1.0<br>100      | mA<br>$\mu\text{A}$<br>mA<br>$\mu\text{A}$ |       |
| $V_{\text{BUSDOM}}$<br>$V_{\text{BUSREC}}$<br>$V_{\text{BUS\_CNT}}$<br>$V_{\text{HYS}}$                   | Receiver Input Voltages<br>• Receiver Dominant State<br>• Receiver Recessive State<br>• Receiver Threshold Center $(V_{\text{TH\_DOM}} + V_{\text{TH\_REC}})/2$<br>• Receiver Threshold Hysteresis $(V_{\text{TH\_REC}} - V_{\text{TH\_DOM}})$  | –<br>0.6<br>0.475<br>–         | –<br>–<br>0.5<br>– | 0.4<br>–<br>0.525<br>0.175 | $V_{\text{SUP}}$                           |       |
| $V_{\text{LIN\_REC}}$<br>$V_{\text{LIN\_DOM\_0}}$<br>$V_{\text{LIN\_DOM\_1}}$                             | LIN Transceiver Output Voltage<br>• Recessive State, TXD HIGH, $I_{\text{OUT}} = 1.0\text{ }\mu\text{A}$<br>• Dominant State, TXD LOW, $500\text{ }\Omega$ External Pull-up Resistor, LDVS = 0<br>• Dominant State, TXD LOW, $500\text{ }\Omega$ External Pull-up Resistor, LDVS = 1  | $V_{\text{SUP}} - 1$<br>–<br>– | –<br>1.1<br>1.7    | –<br>1.4<br>2              | V  |       |
| $R_{\text{SLAVE}}$  | LIN Pull-up Resistor to $V_{\text{SUP}}$  | 20                             | 30                 | 60                         | $\text{k}\Omega$                           |       |
| $T_{\text{LINS D}}$   | Overtemperature Shutdown  | 150                            | 165                | 180                        | $^\circ\text{C}$                           | (111) |
| $T_{\text{LINS D\_HYS}}$  | Overtemperature Shutdown Hysteresis   | –                              | 10                 | –                          | $^\circ\text{C}$                           |       |

**Notes**

110. Parameters guaranteed for  $7.0\text{ V} \leq V_{\text{SUP}} \leq 18\text{ V}$ .

111. When overtemperature shutdown occurs, the LIN bus goes into a recessive state and the flag LINOT in the LINSR is set.



## 13.3 Dynamic Electrical Characteristics

**Table 36. Dynamic Electrical Characteristics**

Characteristics noted under conditions  $5.5\text{ V} \leq V_{\text{SUP}} \leq 18\text{ V}$ ,  $-40\text{ }^\circ\text{C} \leq T_A \leq 125\text{ }^\circ\text{C}$  for the 33911 and  $-40\text{ }^\circ\text{C} \leq T_A \leq 85\text{ }^\circ\text{C}$  for the 34911, otherwise noted. Typical values noted reflect the approximate parameter mean at  $T_A = 25\text{ }^\circ\text{C}$  under nominal conditions, unless otherwise noted.

| Symbol | Characteristic | Min | Typ | Max | Unit | Notes |
|--------|----------------|-----|-----|-----|------|-------|
|--------|----------------|-----|-----|-----|------|-------|

### SPI Interface Timing (see Figure 36)

|   |   |            |        |          |     |       |
|---|---|------------|--------|----------|-----|-------|
| $f_{\text{SPIO P}}$                     | SPI Operating Frequency   | –          | –      | 4.0      | MHz |       |
| $t_{\text{PCLK}}$                       | SCLK Clock Period   | 250        | –      | N/A      | ns  |       |
| $t_{\text{WSCLKH}}$                     | SCLK Clock High Time  | 110        | –      | N/A      | ns  | (112) |
| $t_{\text{WSCLKL}}$                     | SCLK Clock Low Time   | 110        | –      | N/A      | ns  | (112) |
| $t_{\text{LEAD}}$                       | Falling Edge of $\overline{\text{CS}}$ to Rising Edge of SCLK   | 100        | –      | N/A      | ns  | (112) |
| $t_{\text{LAG}}$                        | Falling Edge of SCLK to $\overline{\text{CS}}$ Rising Edge  | 100        | –      | N/A      | ns  | (112) |
| $t_{\text{SISU}}$                       | MOSI to Falling Edge of SCLK  | 40         | –      | N/A      | ns  | (112) |
| $t_{\text{SIH}}$                        | Falling Edge of SCLK to MOSI  | 40         | –      | N/A      | ns  | (112) |
| $t_{\text{RSO}}$                        | MISO Rise Time<br>• $C_L = 220\text{ pF}$   | –          | 40     | –        | ns  | (112) |
| $t_{\text{FSO}}$                        | MISO Fall Time<br>• $C_L = 220\text{ pF}$   | –          | 40     | –        | ns  | (112) |
| $t_{\text{SOEN}}$<br>$t_{\text{SODIS}}$ | Time from Falling or Rising Edges of $\overline{\text{CS}}$ to:<br>- MISO Low-impedance<br>- MISO High-impedance  | 0.0<br>0.0 | –<br>– | 50<br>50 | ns  | (112) |
| $t_{\text{VALID}}$                      | Time from Rising Edge of SCLK to MISO Data Valid<br>• $0.2 \times V_{\text{DD}} \leq \text{MISO} \leq 0.8 \times V_{\text{DD}}$ , $C_L = 100\text{ pF}$ | 0.0        | –      | 75       | ns  | (112) |

### RST Output Pin

|                               |   |      |     |      |    |  |
|-------------------------------|---|------|-----|------|----|--|
| $t_{\overline{\text{RST}}}$   | Reset Low-Level Duration after $V_{\text{DD}}$ High (see Figure 35) | 0.65 | 1.0 | 1.35 | ms |  |
| $t_{\overline{\text{RSTDF}}}$ | Reset Deglitch Filter Time  | 350  | 600 | 900  | ns |  |

### Window Watchdog Configuration Pin (WDCONF)

|                  |   |                  |                 |                    |    |       |
|------------------|---|------------------|-----------------|--------------------|----|-------|
| $t_{\text{PWD}}$ | Watchdog Time Period<br>• External Resistor $R_{\text{EXT}} = 20\text{ k}\Omega$ (1%)<br>• External Resistor $R_{\text{EXT}} = 200\text{ k}\Omega$ (1%)<br>• Without External Resistor $R_{\text{EXT}}$ (WDCONF pin open) | 8.5<br>79<br>110 | 10<br>94<br>150 | 11.5<br>108<br>205 | ms | (113) |
|------------------|---|------------------|-----------------|--------------------|----|-------|

#### Notes

112. This parameter is guaranteed by process monitoring but not production tested.

113. Watchdog timing period calculation formula:  $t_{\text{PWD}} [\text{ms}] = 0.466 * (R_{\text{EXT}} - 20) + 10$  ( $R_{\text{EXT}}$  in  $\text{k}\Omega$ )

**Table 36. Dynamic Electrical Characteristics (continued)**

Characteristics noted under conditions  $5.5\text{ V} \leq V_{\text{SUP}} \leq 18\text{ V}$ ,  $-40\text{ }^\circ\text{C} \leq T_A \leq 125\text{ }^\circ\text{C}$  for the 33911 and  $-40\text{ }^\circ\text{C} \leq T_A \leq 85\text{ }^\circ\text{C}$  for the 34911, otherwise noted. Typical values noted reflect the approximate parameter mean at  $T_A = 25\text{ }^\circ\text{C}$  under nominal conditions, unless otherwise noted.

| Symbol                                  | Characteristic   | Min       | Typ     | Max       | Unit          | Notes |
|---|--|-----------|---------|-----------|---------------|-------|
| <b>L1 AND L2 Inputs</b>                 |  |           |         |           |               |       |
| $t_{\text{WUF}}$                        | Wake-up Filter Time  | 8.0       | 20      | 38        | $\mu\text{s}$ |       |
| <b>State Machine Timing</b>             |  |           |         |           |               |       |
| $t_{\text{STOP}}$                       | Delay Between $\overline{\text{CS}}$ LOW-to-HIGH Transition (at the End of a SPI Stop Command) and Stop Mode Activation  | —         | —       | 5.0       | $\mu\text{s}$ | (114) |
| $t_{\text{NRTOU}}$                      | Normal Request Mode Timeout (see <a href="#">Figure 35</a> )   | 110       | 150     | 205       | ms            |       |
| $t_{\text{S-ON}}$                       | Delay Between the SPI Command and HS/LS Turn On<br>• $9.0\text{ V} < V_{\text{SUP}} < 27\text{ V}$   | —         | —       | 10        | $\mu\text{s}$ | (115) |
| $t_{\text{S-OFF}}$                      | Delay Between the SPI Command and HS/LS Turn Off<br>• $9.0\text{ V} < V_{\text{SUP}} < 27\text{ V}$  | —         | —       | 10        | $\mu\text{s}$ | (115) |
| $t_{\text{SNR2N}}$                      | Delay Between Normal Request and Normal Mode After a Watchdog Trigger Command (Normal Request Mode)  | —         | —       | 10        | $\mu\text{s}$ | (114) |
| $t_{\text{WUCS}}$<br>$t_{\text{WUSPI}}$ | Delay Between $\overline{\text{CS}}$ Wake-Up ( $\overline{\text{CS}}$ LOW to HIGH) in Stop Mode and:<br>• Normal Request Mode, VDD ON and $\overline{\text{RST}}$ HIGH<br>• First Accepted SPI Command | 9.0<br>90 | 15<br>— | 80<br>N/A | $\mu\text{s}$ |       |
| $t_{2\overline{\text{CS}}}$             | Minimum Time Between Rising and Falling Edge on the $\overline{\text{CS}}$   | 4.0       | —       | —         | $\mu\text{s}$ |       |

**LIN Physical Layer: Driver Characteristics for Normal Slew Rate - 20.0 kBit/sec**<sup>(116), (117)</sup>

|    |   |       |   |       |  |  |
|----|---|-------|---|-------|--|--|
| D1 | Duty Cycle 1: $D1 = t_{\text{BUS\_REC(MIN)}} / (2 \times t_{\text{BIT}})$ , $t_{\text{BIT}} = 50\text{ }\mu\text{s}$<br>• $7.0\text{ V} \leq V_{\text{SUP}} \leq 18\text{ V}$ | 0.396 | — | —     |  |  |
| D2 | Duty Cycle 2: $D2 = t_{\text{BUS\_REC(MAX)}} / (2 \times t_{\text{BIT}})$ , $t_{\text{BIT}} = 50\text{ }\mu\text{s}$<br>• $7.6\text{ V} \leq V_{\text{SUP}} \leq 18\text{ V}$ | —     | — | 0.581 |  |  |

**LIN Physical Layer: Driver Characteristics for Slow Slew Rate - 10.4 kBit/sec**<sup>(116), (118)</sup>

|    |   |       |   |       |               |  |
|----|---|-------|---|-------|---------------|--|
| D3 | Duty Cycle 3: $D3 = t_{\text{BUS\_REC(MIN)}} / (2 \times t_{\text{BIT}})$ , $t_{\text{BIT}} = 96\text{ }\mu\text{s}$<br>• $7.0\text{ V} \leq V_{\text{SUP}} \leq 18\text{ V}$ | 0.417 | — | —     | $\mu\text{s}$ |  |
| D4 | Duty Cycle 4: $D4 = t_{\text{BUS\_REC(MAX)}} / (2 \times t_{\text{BIT}})$ , $t_{\text{BIT}} = 96\text{ }\mu\text{s}$<br>• $7.6\text{ V} \leq V_{\text{SUP}} \leq 18\text{ V}$ | —     | — | 0.590 | $\mu\text{s}$ |  |

**Notes**

114. This parameter is guaranteed by process monitoring but not production tested.  
 115. Delay between turn on or off command (rising edge on  $\overline{\text{CS}}$ ) and HS or LS ON or OFF, excluding rise or fall time due to an external load.  
 116. Bus load  $R_{\text{BUS}}$  and  $C_{\text{BUS}}$  1.0 nF / 1.0 k $\Omega$ , 6.8nF / 660  $\Omega$ , 10 nF / 500  $\Omega$ . Measurement thresholds: 50% of TXD signal to LIN signal threshold defined at each parameter. See [Figure 29](#).  
 117. See [Figure 30](#).  
 118. See [Figure 31](#).

**Table 36. Dynamic Electrical Characteristics (continued)**

Characteristics noted under conditions  $5.5\text{ V} \leq V_{\text{SUP}} \leq 18\text{ V}$ ,  $-40\text{ }^\circ\text{C} \leq T_A \leq 125\text{ }^\circ\text{C}$  for the 33911 and  $-40\text{ }^\circ\text{C} \leq T_A \leq 85\text{ }^\circ\text{C}$  for the 34911, otherwise noted. Typical values noted reflect the approximate parameter mean at  $T_A = 25\text{ }^\circ\text{C}$  under nominal conditions, unless otherwise noted.

| Symbol | Characteristic | Min | Typ | Max | Unit | Notes |
|--------|----------------|-----|-----|-----|------|-------|
|--------|----------------|-----|-----|-----|------|-------|

**LIN Physical Layer: Driver Characteristics for Fast Slew Rate**

|                    |                                       |   |    |   |      |  |
|--------------------|---------------------------------------|---|----|---|------|--|
| SR <sub>FAST</sub> | LIN Fast Slew Rate (Programming Mode) | — | 20 | — | V/μs |  |
|--------------------|---------------------------------------|---|----|---|------|--|

**LIN Physical Layer: Characteristics and Wake-Up Timings<sup>(119)</sup>**

|   |  |           |          |            |    |                |
|---|--|-----------|----------|------------|----|----------------|
| t <sub>REC_PD</sub><br>t <sub>REC_SYM</sub> | Propagation Delay and Symmetry<br>• Propagation Delay Receiver, t <sub>REC_PD</sub> = max (t <sub>REC_PDR</sub> , t <sub>REC_PDF</sub> )<br>• Symmetry of Receiver Propagation Delay t <sub>REC_PDF</sub> - t <sub>REC_PDR</sub> | —<br>-2.0 | 3.0<br>— | 6.0<br>2.0 | μs | (120)          |
| t <sub>PROPWL</sub>                         | Bus Wake-up Deglitcher (Sleep and Stop Modes)  | 42        | 70       | 95         | μs | (121)          |
| t <sub>WAKE</sub><br>t <sub>WAKE</sub>      | Bus Wake-up Event Reported<br>• From Sleep Mode<br>• From Stop Mode  | —<br>9.0  | —<br>13  | 1500<br>17 | μs | (122)<br>(123) |
| t <sub>TXDDOM</sub>                         | TXD Permanent Dominant State Delay   | 0.65      | 1.0      | 1.35       | s  |                |

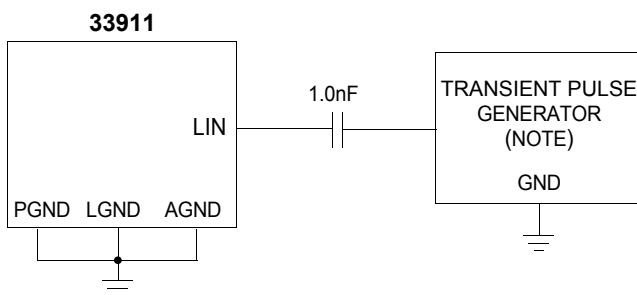
**Pulse Width Modulation Input Pin (PWMIN)**

|                    |  |  |    |  |     |       |
|--------------------|--|--|----|--|-----|-------|
| f <sub>PWMIN</sub> | PWMIN pin<br>• Max. frequency to drive HS and LS output pins |  | 10 |  | kHz | (124) |
|--------------------|--|--|----|--|-----|-------|

**Notes**

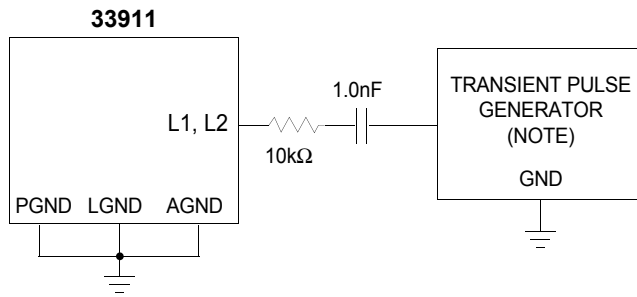
- 119. V<sub>SUP</sub> from 7.0 V to 18 V, bus load R<sub>BUS</sub> and C<sub>BUS</sub> 1.0 nF / 1.0 kΩ, 6.8 nF / 660 Ω, 10 nF / 500 Ω. Measurement thresholds: 50% of TXD signal to LIN signal threshold defined at each parameter. See [Figure 29](#).
- 120. See [Figure 32](#).
- 121. See [Figure 33](#) for Sleep and [Figure 34](#) for Stop mode.
- 122. The measurement is done with 1.0 μF capacitor and 0 mA current load on V<sub>DD</sub>. The value takes into account the delay to charge the capacitor. The delay is measured between the bus wake-up threshold (V<sub>BUSWU</sub>) rising edge of the LIN bus and when V<sub>DD</sub> reaches 3.0V. See [Figure 33](#). The delay depends of the load and capacitor on V<sub>DD</sub>.
- 123. In Stop mode, the delay is measured between the bus wake-up threshold (V<sub>BUSWU</sub>) and the falling edge of the  $\overline{\text{IRQ}}$  pin. See [Figure 34](#).
- 124. This parameter is guaranteed by process monitoring but not production tested.

## 13.4 Timing Diagrams



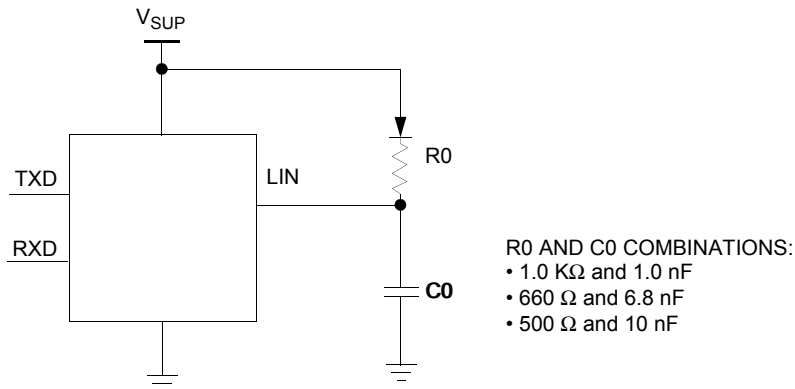
**Note** Waveform per ISO 7637-2. Test Pulses 1, 2, 3a, 3b.

**Figure 27. Test Circuit for Transient Test Pulses (LIN)**

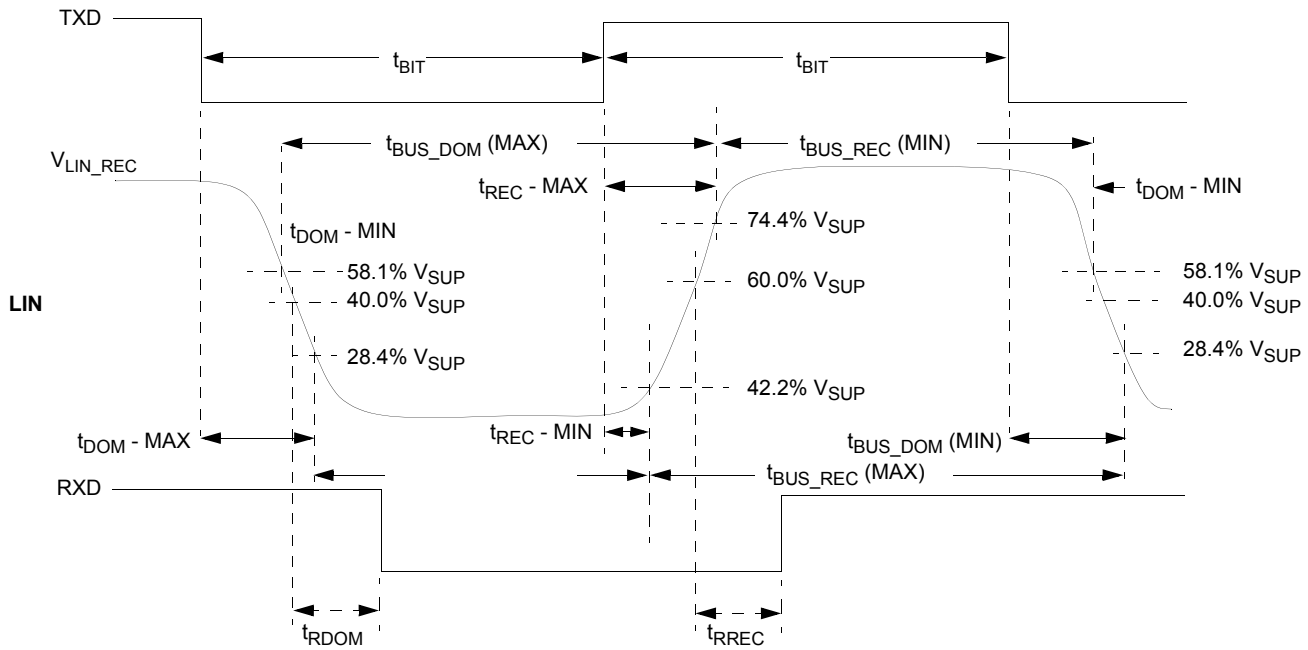


NOTE: Waveform per ISO 7637-2. Test Pulses 1, 2, 3a, 3b.

**Figure 28. Test Circuit for Transient Test Pulses (Lx)**



**Figure 29. Test Circuit for LIN Timing Measurements**



**Figure 30. LIN Timing Measurements for Normal Slew Rate**

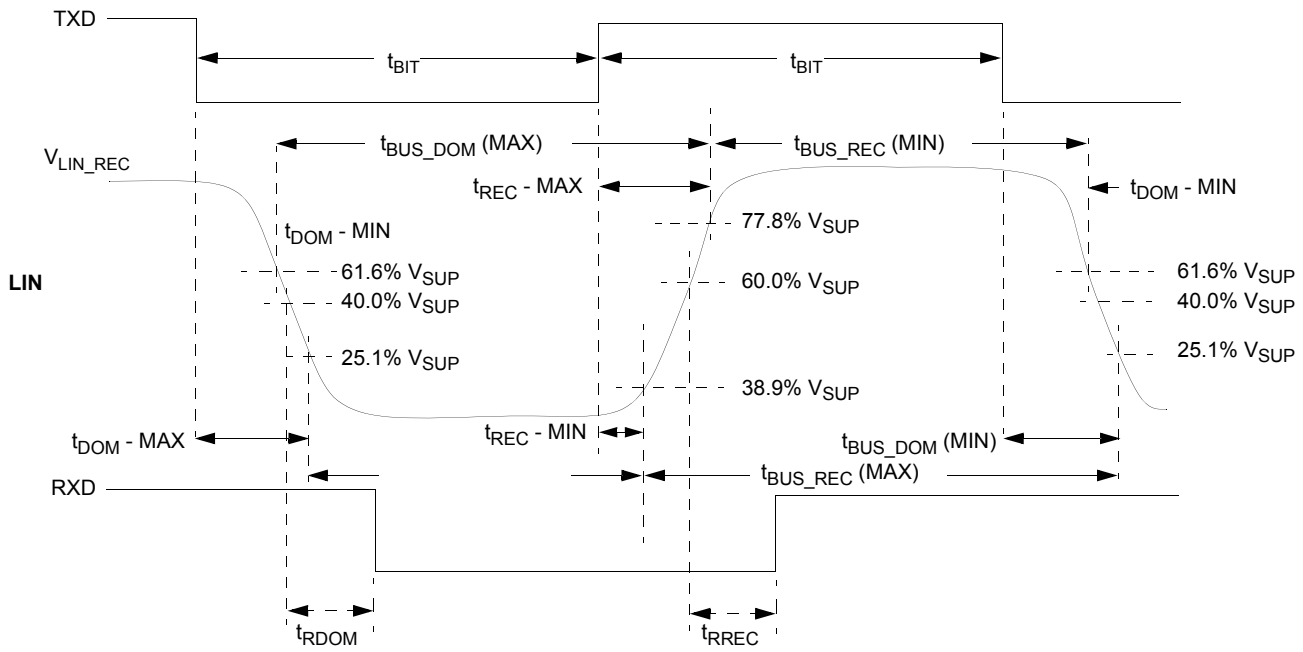


Figure 31. LIN Timing Measurements for Slow Slew Rate

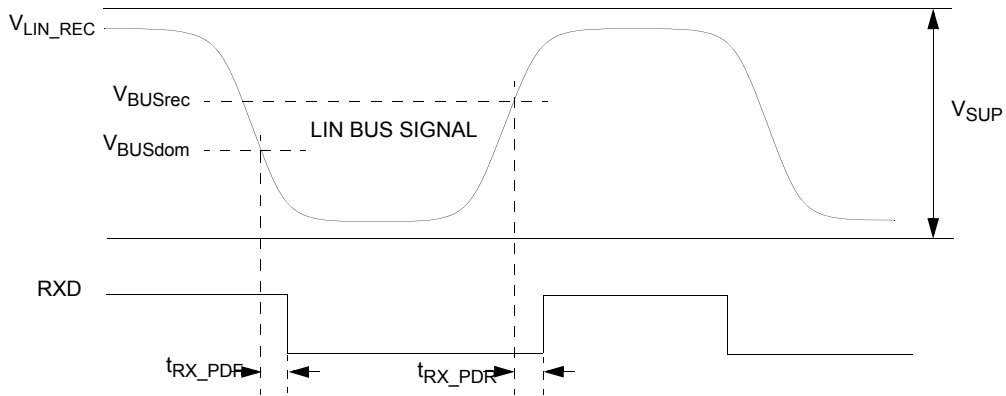


Figure 32. LIN Receiver Timing

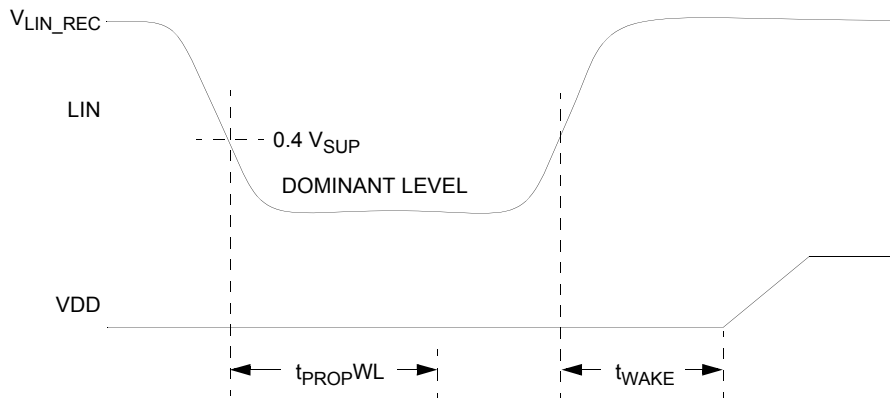


Figure 33. LIN Wake-up Sleep Mode Timing

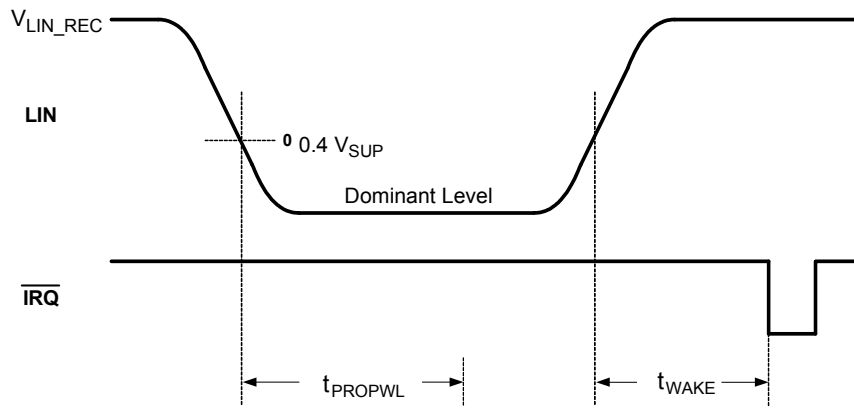


Figure 34. LIN Wake-up Stop Mode Timing

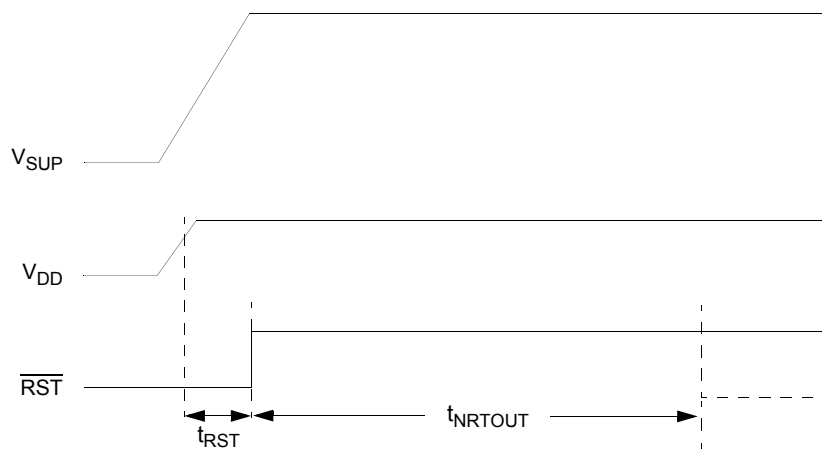


Figure 35. Power On Reset and Normal Request Timeout Timing

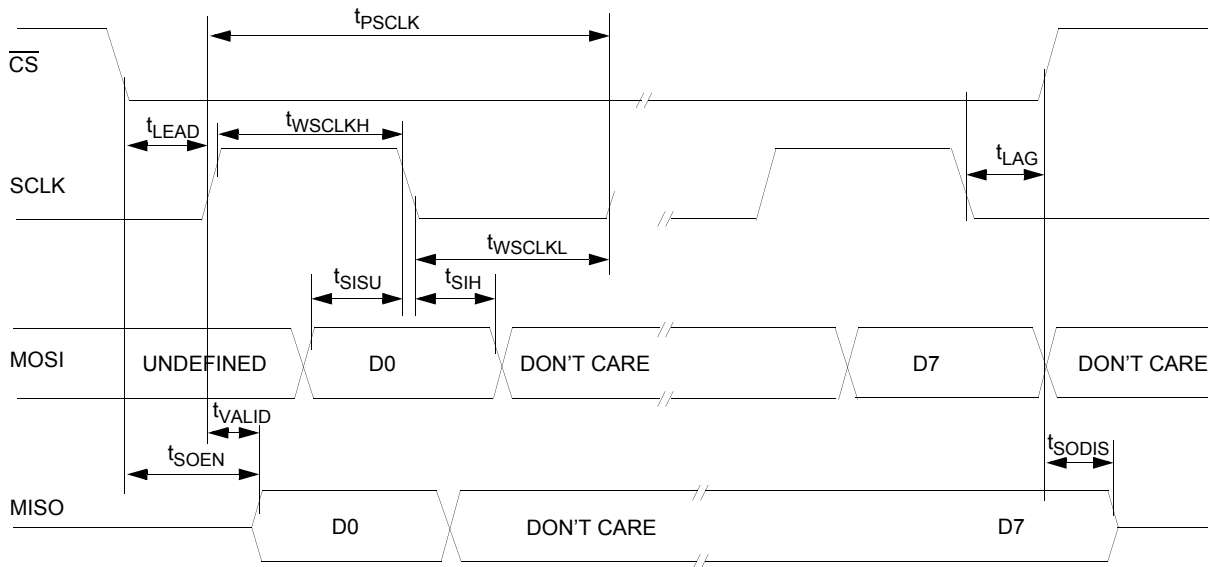


Figure 36. SPI Timing Characteristics

# 14 Functional Description

## 14.1 Introduction

The 33911 was designed and developed as a highly integrated and cost-effective solution for automotive and industrial applications. For automotive body electronics, the 33911 is well suited to perform relay control in applications like window lift, sunroof, etc. via a LIN bus. Power switches are provided on the device configured as high-side and low-side outputs. Other ports are also provided, which include a voltage sense port and two wake-up capable pins. An internal voltage regulator provides power to a MCU device.

Also included in this device is a LIN physical layer, which communicates using a single wire. This enables this device to be compatible with 3-wire bus systems, where one wire is used for communication, one for battery, and one for ground.

## 14.2 Functional Pin Description

See [Figure 1, 33911 Simplified Application Diagram](#), for a graphic representation of the various pins referred to in the following paragraphs. See the [33911 Pin Connections](#) diagram for a description of the pin locations in the package.

### 14.2.1 Receiver Output (RXD)

The RXD pin is a digital output. It is the receiver output of the LIN interface and reports the state of the bus voltage: RXD Low when LIN bus is dominant, RXD High when LIN bus is recessive.

### 14.2.2 Transmitter Input (TXD)

The TXD pin is a digital input. It is the transmitter input of the LIN interface and controls the state of the bus output (dominant when TXD is Low, recessive when TXD is High). This pin has an internal pull-up to force recessive state in case the input is left floating.

### 14.2.3 LIN Bus (LIN)

The LIN pin represents the single-wire bus transmitter and receiver. It is suited for automotive bus systems and is compliant to the LIN bus specification 2.0. The LIN interface is only active during Normal and Normal Request modes.

### 14.2.4 Serial Data Clock (SCLK)

The SCLK pin is the SPI clock input pin. MISO data changes on the negative transition of the SCLK. MOSI is sampled on the positive edge of the SCLK.

### 14.2.5 Master Out Slave In (MOSI)

The MOSI digital pin receives the SPI data from the MCU. This data input is sampled on the positive edge of SCLK.

### 14.2.6 Master In Slave Out (miso)

The MISO pin sends data to a SPI-enabled MCU. It is a digital tri-state output used to shift serial data to the microcontroller. Data on this output pin changes on the negative edge of the SCLK. When  $\overline{CS}$  is High, this pin remains in high-impedance state.

### 14.2.7 Chip Select ( $\overline{CS}$ )

$\overline{CS}$  is an active low digital input. It must remain low during a valid SPI communication and allow for several devices to be connected in the same SPI bus without contention. A rising edge on  $\overline{CS}$  signals the end of the transmission and the moment the data shifted in is latched. A valid transmission must consist of 8 bits only. While in STOP mode a low-to-high level transition on this pin generates a wake-up condition.

## 14.2.8 Analog Multiplexer (ADOUT0)

The ADOUT0 pin can be configured via the SPI to allow the MCU A/D converter to read the several inputs of the Analog Multiplexer, including the VSENSE, L1, L2 input voltages and the internal junction temperature.

## 14.2.9 PWM Input Control (PWMIN)

This digital input can control the high-side and low-side drivers in Normal Request and Normal mode. To enable PWM control, the MCU must perform a write operation to the High-side Control Register (HSCR), or the Low-side Control Register (LSCR). This pin has an internal 20  $\mu$ A current pull-up.

## 14.2.10 Reset ( $\overline{\text{Rst}}$ )

This bidirectional pin is used to reset the MCU in case the 33911 detects a reset condition, or to inform the 33911 the MCU was just reset. After release of the  $\overline{\text{RST}}$  pin Normal Request mode is entered. The  $\overline{\text{RST}}$  pin is an active low filtered input and output formed by a weak pull-up and a switchable pull-down structure, which allows this pin to be shorted either to  $V_{DD}$  or to GND during software development without the risk of destroying the driver.

## 14.2.11 Interrupt ( $\overline{\text{IRQ}}$ )

The  $\overline{\text{IRQ}}$  pin is a digital output used to signal events or faults to the MCU while in Normal and Normal Request mode or to signal a wake-up from Stop mode. This active low output transitions high only after the interrupt is acknowledged by a SPI read of the respective status bits.

## 14.2.12 Watchdog Configuration (WDCONF)

The WDCONF pin is the configuration pin for the internal watchdog. A resistor can be connected to this pin to configure the window watchdog period. When connected directly to ground, the watchdog is disabled. When this pin is left open, the watchdog period is fixed to its lower precision internal default value (150 ms, typical).

## 14.2.13 Ground Connections (AGND, PGND, LGND)

The AGND, PGND, and LGND pins are the Analog and Power ground pins. The AGND pin is the ground reference of the voltage regulator. The PGND and LGND pins are used for high-current load return as in the relay-drivers and LIN interface pin.

Note: PGND, AGND and LGND pins must be connected together.

## 14.2.14 Low-sides (LS1 and LS2)

LS1 and LS2 are the low-side driver outputs. Those outputs are short-circuit protected and include active clamp circuitry to drive inductive loads. Due to the energy clamp voltage on this pin, it can raise above the battery level when switched off. The switches are controlled through the SPI and can be configured to respond to a signal applied to the PWMIN input pin. Both low-side switches are protected against overheating.

## 14.2.15 Digital/Analog (L1 and L2)

The Lx pins are multi purpose inputs. They can be used as digital inputs, which can be sampled by reading the SPI and used for wake-up when 33911 is in Low-power mode or used as analog inputs for the analog multiplexer. When used to sense voltage outside the module, a 33 k $\Omega$  series resistor must be used on each input.

When used as wake-up inputs L1 and L2 can be configured to operate in cyclic sense mode. In this mode, the high-side switch is configured to be periodically turned on and sample the wake-up inputs. If a state change is detected between two cycles, a wake-up is initiated. The 33911 can also wake-up from Stop or Sleep by a simple state change on L1 and L2. When used as an analog input, the voltage present on the Lx pins are scaled down by a selectable internal voltage divider and can be routed to the ADOUT0 output through the analog multiplexer.

Note: If an Lx input is selected in the analog multiplexer, it is disabled as a digital input and remains disabled in low-power mode. No wake-up feature is available in this condition.

When an Lx input is not selected in the analog multiplexer, the voltage divider is disconnected from this input.



## 14.2.16 High-side Output (HS1)

This high-side switch is able to drive loads such as relays or lamps. Its structure is connected to the VS2 supply pin. The pin is short-circuit protected and also protected against overheating. HS1 is controlled by SPI and can respond to a signal applied to the PWMIN input pin. The HS1 output can also be used during Low-power mode for the cyclic-sense of the wake inputs.

## 14.2.17 Power Supplies (VS1 and VS2)

These are the battery level voltage supply pins. In application, VS1 and VS2 pins must be protected against a reverse battery connection and negative transient voltages with external components. These pins sustain standard automotive voltage conditions such as a load dump at 40 V. The high-side switch (HS1) is supplied by the VS2 pin, all other internal blocks are supplied by the VS1 pin.

## 14.2.18 Voltage Sense (VSENSE)

This input can be connected directly to the battery line. It is protected against a battery reverse connection. The voltage present on this input is scaled down by an internal voltage divider, and can be routed to the ADOUT0 output pin and used by the MCU to read the battery voltage. The ESD structure on this pin allows for excursion up to +40 V and down to -27 V, allowing this pin to be connected directly to the battery line. It is strongly recommended to connect a 10 kΩ resistor in series with this pin for protection purposes.

## 14.2.19 +5.0 V Main Regulator Output (VDD)

An external capacitor must be placed on the VDD pin to stabilize the regulated output voltage. The VDD pin is intended to supply a microcontroller. The pin is current limited against shorts to GND and overtemperature protected. During Stop mode, the voltage regulator does not operate with its full drive capabilities and the output current is limited. During Sleep mode the regulator output is completely shutdown.

## 14.3 Functional Internal Block Description

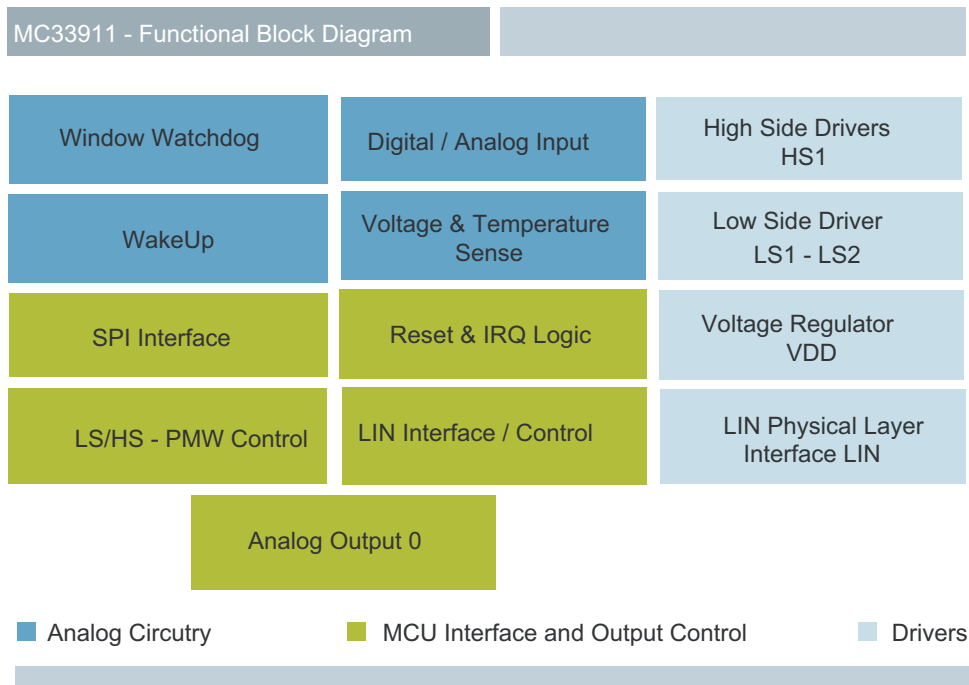


Figure 37. Functional Internal Block Diagram

### **14.3.1 Analog Circuitry**

The 33911 is designed to operate under automotive operating conditions. A fully configurable window watchdog circuit resets the connected MCU in case of an overflow. Two low-power modes are available with several different wake-up sources to reactivate the device. Two analog / digital inputs can be sensed or used as the wake-up source. The device is capable of sensing the supply voltage (VSENSE), the internal chip temperature (CTEMP), as well as the motor current using an external sense resistor.)

### **14.3.2 High-side Driver**

One current and temperature protected high-side driver with PWM capability is provided to drive small loads such as status LEDs or small lamps. The driver can be configured for periodic sense during low-power modes.

### **14.3.3 Low-side Drivers**

Two current and temperature protected low-side drivers with PWM capability are provided to drive H-Bridge type relays for power motor applications.

### **14.3.4 MCU Interface**

The 33911 is providing its control and status information through a standard 8-Bit SPI interface. Critical system events such as low or high-voltage/temperature conditions as well as overcurrent conditions in any of the driver stages can be reported to the connected MCU via IRQ or RST. Both low-side and both high-side driver outputs can be controlled via the SPI register as well as PWMIN input. The integrated LIN physical layer interface can be configured via the SPI register and its communication is driven through the RXD and TXD device pin. All internal analog sources are multiplexed to the ANOUT0 pin.

### **14.3.5 Voltage Regulator Outputs**

One voltage regulators is implemented on the 33911. The VDD main regulator output is designed to supply an MCU with a precise 5.0 V.

### **14.3.6 LIN Physical Layer Interface**

The 33911 provides a LIN 2.0 compatible LIN physical layer interface with selectable slew rate and various diagnostic features.

# 15 Functional Device Operations

## 15.1 Operational Modes

### 15.1.1 Introduction

The 33911 offers three main operating modes: Normal (Run), Stop, and Sleep (Low-power). In Normal mode, the device is active and operating under normal application conditions. The Stop and Sleep modes are Low-power modes with wake-up capabilities. In Stop mode, the voltage regulator still supplies the MCU with  $V_{DD}$  (limited current capability), and in Sleep mode the voltage regulator is turned off ( $V_{DD} = 0$  V). Wake-up from Stop mode is initiated by a wake-up interrupt. Wake-up from Sleep mode is done with a reset and the voltage regulator turned back on. The selection of the different modes is controlled by the MOD1:2 bits in the Mode Control Register (MCR). [Figure 38](#) describes how transitions are done between the different operating modes, and [Table 37](#), gives an overview of the operating modes.

### 15.1.2 Reset Mode

The 33911 enters the Reset mode after a power up. In this mode, the  $\overline{RST}$  pin is low for 1.0 ms (typical value). After this delay, the 33911 enters the Normal Request mode and the RST pin is driven high. The Reset mode is entered if a reset condition occurs ( $V_{DD}$  low, watchdog trigger fail, after a wake-up from Sleep mode, or a Normal Request mode timeout).

### 15.1.3 Normal Request Mode

This is a temporary mode automatically accessed by the device after the Reset mode, or after a wake-up from Stop mode. In Normal Request mode, the VDD regulator is ON, the Reset pin is high and the LIN is operating in RX Only mode. As soon as the device enters the Normal Request mode, an internal timer is started for 150 ms (typical value). During these 150 ms, the MCU must configure the Timing Control Register (TIMCR) and the MCR with MOD2 and MOD1 bits set = 0, to enter in Normal mode. If within the 150 ms timeout the MCU does not command the 33911 to Normal mode, it enters in Reset mode. If the WDCONF pin is grounded to disable the watchdog function, the 33911 goes directly in Normal mode after the Reset mode. If the WDCONF pin is open, the 33911 stays typically for 150 ms in Normal Request before entering in Normal mode.

### 15.1.4 Normal Mode

In Normal mode, all 33911 functions are active and can be controlled by the SPI interface and the PWMIN pin. The VDD regulator is ON and delivers its full current capability. If an external resistor is connected between the WDCONF pin and the Ground, the window watchdog function is enabled. The wake-up inputs (L1 and L2) can be read as digital inputs or have its voltage routed through the analog multiplexer. The LIN interface has slew rate and timing compatible with the LIN protocol specification 2.0. The LIN bus can transmit and receive information. The high-side and the low-side switches are active and have PWM capability according to the SPI configuration. The interrupts are generated to report failures for  $V_{SUP}$  over/undervoltage, thermal shutdown, or thermal shutdown prewarning on the main regulator.

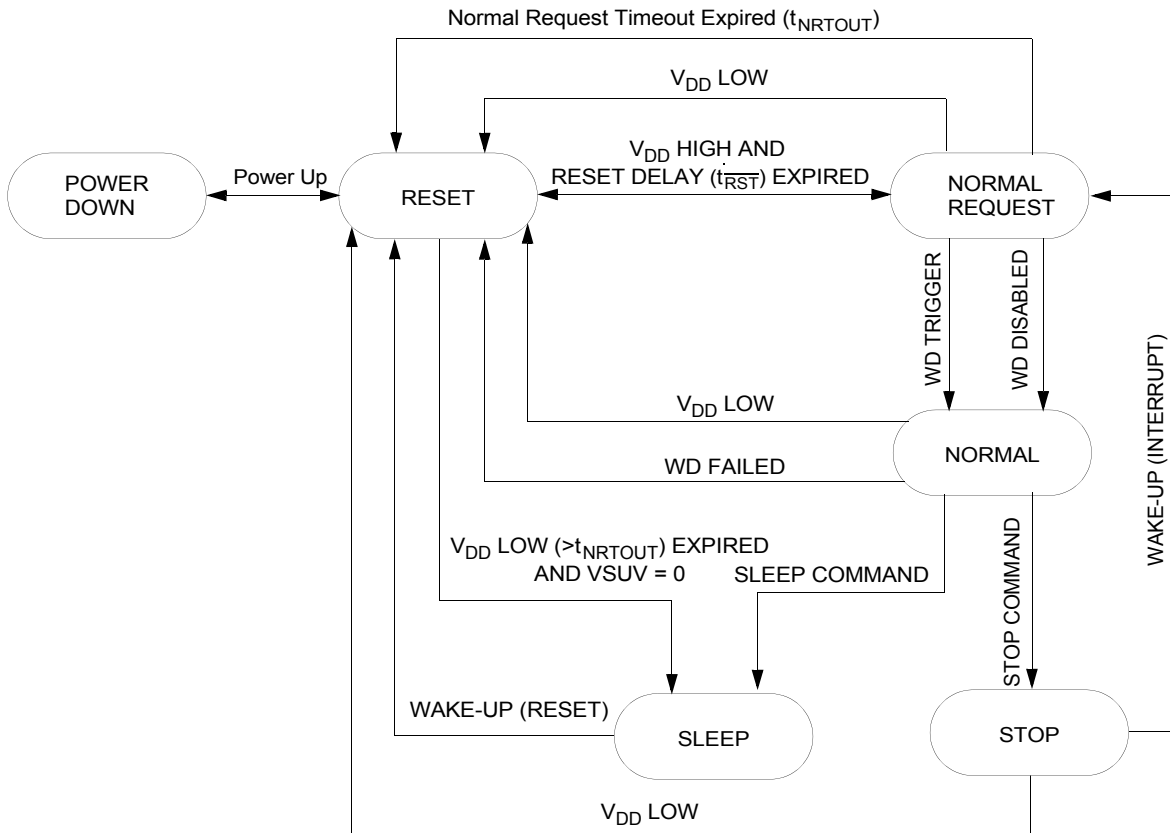
### 15.1.5 Sleep Mode

The Sleep mode is a Low-power mode. From Normal mode, the device enters the Sleep mode by sending one SPI command through the MCR. All blocks are in their lowest power consumption condition. Only some wake-up sources (wake-up inputs with or without cyclic sense, forced wake-up, and LIN receiver) are active. The 5.0 V regulator is OFF. The internal low-power oscillator may be active if the IC is configured for cyclic sense. In this condition, the high-side switches are turned on periodically and the wake-up inputs are sampled. Wake-up from Sleep mode is similar to a power-up. The device goes into Reset mode except the SPI reports the wake-up source, and the BATFAIL flag is not set.

### 15.1.6 Stop Mode

The Stop mode is the second Low-power mode, but in this case the 5.0 V regulator is ON with limited current drive capability. The application MCU is always supplied while the 33911 is operating in Stop mode.

The device can enter the Stop mode only by sending a SPI command. When the application is in this mode, it can wake-up from the 33911 side (for example: cyclic sense, force wake-up, LIN bus, wake inputs) or the MCU side (CS,  $\overline{RST}$  pins). Wake-up from Stop mode transitions the 33911 to Normal Request mode and generate an interrupt, except if the wake-up event is a low to high transition on the CS pin or comes from the  $\overline{RST}$  pin.



**Legend**

WD: Watchdog

WD Disabled: Watchdog disabled (WDCONF pin connected to GND)

WD Trigger: Watchdog is triggered by SPI command

WD Failed: No watchdog trigger or trigger occurs in closed window

Stop Command: Stop command sent via SPI

Sleep Command: Sleep command sent via SPI

wake-up from Stop mode: Lx state change, LIN bus wake-up,  $\overline{CS}$  rising edge wake-up or  $\overline{RST}$  wake-up.

wake-up from Sleep mode: Lx state change, LIN bus wake-up, Periodic wake-up.

**Figure 38. Operating Modes and Transitions**

**Table 37. Operating Modes Overview**

| Function   | Reset Mode | Normal Request Mode      | Normal Mode              | Stop Mode             | Sleep Mode            |
|------------|------------|--------------------------|--------------------------|-----------------------|-----------------------|
| VDD        | Full       | Full                     | Full                     | Stop                  | -                     |
| LSx        | -          | SPI/PWM <sup>(125)</sup> | SPI/PWM                  | -                     | -                     |
| HS1        | -          | SPI/PWM <sup>(125)</sup> | SPI/PWM                  | Note <sup>(126)</sup> | Note <sup>(127)</sup> |
| Analog Mux | -          | SPI                      | SPI                      | -                     | -                     |
| Lx         | -          | Inputs                   | Inputs                   | Wake-up               | Wake-up               |
| LIN        | -          | Rx-Only                  | full/Rx-Only             | Rx-Only/Wake-up       | Wake-up               |
| Watchdog   | -          | 150 ms (typ.) timeout    | On <sup>(128)</sup> /Off | -                     | -                     |
| VSENSE     | On         | On                       | On                       | VDD                   | -                     |

Notes

- 125. Operation can be controlled by the PWMIN input.
- 126. HS switch can be configured for cyclic sense operation in Stop mode.
- 127. HS switch can be configured for cyclic sense operation in Sleep mode.
- 128. Windowing operation when enabled by an external resistor.

## 15.1.7 Interrupts

Interrupts are used to signal a microcontroller a peripheral needs to be serviced. The interrupts which can be generated change according to the operating mode. While in Normal and Normal Request modes, the 33911 signals through interrupts special conditions which may require a MCU software action. Interrupts are not generated until all pending wake-up sources are read in the Interrupt Source Register (ISR). While in Stop mode, interrupts are used to signal wake-up events. Sleep mode does not use interrupts, wake-up is performed by powering-up the MCU. In Normal and Normal Request mode the wake-up source can be read by the SPI.

The interrupts are signaled to the MCU by a low logic level of the  $\overline{\text{IRQ}}$  pin, which remains low until the interrupt is acknowledged by a SPI read. The  $\overline{\text{IRQ}}$  pin is then driven high. Interrupts are only asserted while in Normal, Normal Request and Stop mode. Interrupts are not generated while the  $\overline{\text{RST}}$  pin is low. Following is a list of the interrupt sources in Normal and Normal Request modes, some of those can be masked by writing to the SPI-Interrupt Mask Register (IMR).

### 15.1.7.1 Low-voltage Interrupt

The low-voltage interrupt signals when the supply line (VS1) voltage drops below the VSUV threshold ( $V_{\text{SUUV}}$ ).

### 15.1.7.2 High-voltage Interrupt

The high-voltage interrupt signals when the supply line (VS1) voltage increases above the VSOV threshold ( $V_{\text{SOV}}$ ).

### 15.1.7.3 Overtemperature Prewarning

Overtemperature prewarning signals when the 33911 temperature has reached the pre-shutdown warning threshold. It is used to warn the MCU an overtemperature shutdown in the main 5.0 V regulator is imminent.

### 15.1.7.4 LIN Overcurrent Shutdown/Overtemperature Shutdown/TXD Stuck at Dominant/RXD Short-Circuit

These signal fault conditions within the LIN interface causes the LIN driver to be disabled, except for the LIN overcurrent. To restart an operation, the fault must be removed and must be acknowledged by reading the SPI. The LINOC bit functionality in the LIN Status Register (LINSR) is to indicate an LIN overcurrent occurred and the driver stays enabled.

### 15.1.7.5 High-side Overtemperature Shutdown

The high-side overtemperature shutdown signals a shutdown in the high-side output.

## 15.1.7.6 Low-side Overtemperature Shutdown

The low-side overtemperature shutdown signals a shutdown in the low-side outputs.

## 15.1.8 Reset

To reset an MCU, the 33911 drives the  $\overline{\text{RST}}$  pin low for the time the reset condition lasts. After the reset source is removed, the state machine drives the  $\overline{\text{RST}}$  output low for at least 1.0 ms (typical value) before driving it high. In the 33911 four main reset sources exist.

### 15.1.8.1 5.0 V Regulator Low-voltage-Reset ( $V_{\overline{\text{RSTTH}}}$ )

The 5.0 V regulator output  $V_{\text{DD}}$  is continuously monitored against brown outs. If the supply monitor detects the voltage at the VDD pin has dropped below the reset threshold  $V_{\overline{\text{RSTTH}}}$  the 33911 issues a reset. During an overtemperature, the voltage regulator is disabled and the voltage monitoring issues a VDDOT Flag independently of the  $V_{\text{DD}}$  voltage.

### 15.1.8.2 Window Watchdog Overflow

If the watchdog counter is not properly serviced while its window is open, the 33911 detects an MCU software run-away and resets the microcontroller.

### 15.1.8.3 Wake-Up from Sleep Mode

During Sleep mode, the 5.0 V regulator is not active. Hence, all wake-up requests from Sleep mode require a power-up/reset sequence.

### 15.1.8.4 External Reset

The 33911 has a bidirectional reset pin which drives the device to a safe state (same as Reset mode) for as long as this pin is held low. The  $\overline{\text{RST}}$  pin must be held low long enough to pass the internal glitch filter and get recognized by the internal reset circuit. This functionality is also active in Stop mode. After the  $\overline{\text{RST}}$  pin is released, there is no extra  $t_{\overline{\text{RST}}}$  to be considered.

## 15.1.9 Wake-Up Capabilities

Once entered into one of the Low-power modes (Sleep or Stop) only wake-up sources can bring the device into Normal mode operation. In Stop mode, a wake-up is signaled to the MCU as an interrupt, while in Sleep mode, the wake-up is performed by activating the 5.0 V regulator and resetting the MCU. In both cases, the MCU can detect the wake-up source by accessing the SPI registers. There is no specific SPI register bit to signal a  $\overline{\text{CS}}$  wake-up or external reset. If necessary, this condition is detected by excluding all other possible wake-up sources.

### 15.1.9.1 Wake-up from Wake-up Inputs (L1-L2) with Cyclic Sense Disabled

The wake-up lines are dedicated to sense state changes of external switches, and wake-up the MCU (in Sleep or Stop mode). To select and activate direct wake-up from Lx inputs, the Wake-up Control Register (WUCR) must be configured with appropriate LxWE inputs enabled or disabled. The wake-up inputs state are read through the Wake-up Status Register (WUSR). Lx inputs are also used to perform cyclic sense wake-up.

Note: Selecting an Lx input in the analog multiplexer before entering Low-power mode disables the wake-up capability of the Lx input.

### 15.1.9.2 Wake-up from Wake-up Inputs (L1-L2) with Cyclic Sense Timer Enabled

The SBCLIN can wake-up at the end of a cyclic sense period if on one of the two wake-up input lines (L1-L2), a state change occurs. The HS1 switch is activated in Sleep or Stop modes from an internal timer. Cyclic sense and force wake-up are exclusive. If cyclic sense is enabled, the force wake-up can not be enabled. To select and activate the cyclic sense wake-up from Lx inputs, before entering in Low-power modes (Stop or Sleep modes), the following SPI set-up must be performed:

- In WUCR: select the Lx input to WU-enable.
- In HSCR: enable HS1.
- In TIMCR: select the  $\overline{\text{CS/WD}}$  bit and determine the cyclic sense period with CYSTx bits.
- Perform Go to Sleep/Stop command.

### 15.1.9.3 Forced Wake-up

The 33911 can wake-up automatically after a predetermined time spent in Sleep or Stop mode. Cyclic sense and forced wake-up are exclusive. If forced wake-up is enabled, the cyclic sense can not be enabled. To determine the wake-up period, the following SPI set-up has to be sent before entering in Low-power modes:

- In TIMCR: select the CS/WD bit and determine the Low-power mode period with CYSTx bits.
- In HSCR: the HS1 bit must be disabled.

### 15.1.9.4 $\overline{\text{CS}}$ Wake-up

While in Stop mode, a rising edge on the  $\overline{\text{CS}}$  causes a wake-up. The  $\overline{\text{CS}}$  wake-up does not generate an interrupt and is not reported on the SPI.

### 15.1.9.5 LIN Wake-up

While in the Low-power mode the 33911 monitors the activity on the LIN bus. A dominant pulse larger than  $t_{\text{PROPWL}}$  followed by a dominant to recessive transition causes a LIN wake-up. This behavior protects the system from a short-to ground bus condition.

### 15.1.9.6 $\overline{\text{RST}}$ Wake-up

While in Stop mode, the 33911 can wake-up when the  $\overline{\text{RST}}$  pin is held low long enough to pass the internal glitch filter. Then, it changes to Normal Request or Normal modes depending on the WDCONF pin configuration. The  $\overline{\text{RST}}$  wake-up does not generate an interrupt and is not reported via the SPI.

From Stop mode, the following wake-up events can be configured.

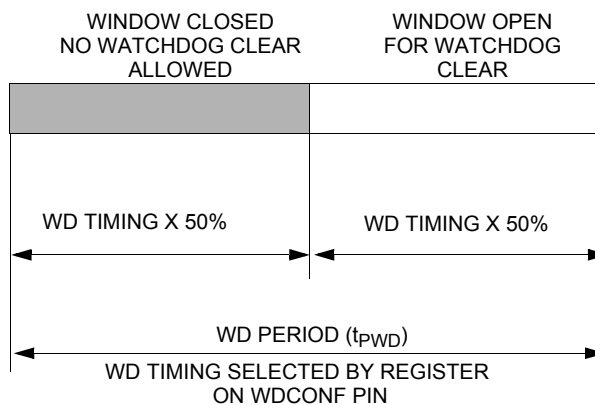
- Wake-up from Lx inputs without cyclic sense
- Cyclic sense wake-up inputs
- Force wake-up
- $\overline{\text{CS}}$  wake-up
- LIN wake-up
- $\overline{\text{RST}}$  wake-up

From Sleep mode, the following wake-up events can be configured.

- Wake-up from Lx inputs without cyclic sense
- Cyclic sense wake-up inputs
- Force wake-up
- LIN wake-up

## 15.1.10 Window Watchdog

The 33911 includes a configurable window watchdog which is active in Normal mode. The watchdog can be configured by an external resistor connected to the WDCONF pin. The resistor is used to achieve higher precision in the timebase used for the watchdog. SPI clears are performed by writing through the SPI in the MOD bits of the Mode Control Register (MCR). During the first half of the SPI timeout, watchdog clears are not allowed, but after the first half of the SPI timeout window, the clear operation opens. If a clear operation is performed outside the window, the 33911 resets the MCU, in the same way as when the watchdog overflows.



**Figure 39. Window Watchdog Operation**

To disable the watchdog function in Normal mode, the user must connect the WDCONF pin to ground. This measure effectively disables Normal Request mode. The WDOFF bit in the Watchdog Status Register (WDSR) is set. This condition is only detected during Reset mode. If neither a resistor nor a connection to ground is detected, the watchdog falls back to the internal lower precision timebase of 150 ms (typ.), and signals the faulty condition through the WDSR.

The watchdog timebase can be further divided by a prescaler which can be configured by the Timing Control Register (TIMCR). During Normal Request mode, the window watchdog is not active but there is a 150 ms (typ.) timeout for leaving the Normal Request mode. In case of a timeout, the 33911 enters into Reset mode, resetting the microcontroller before entering again into Normal Request mode.

## 15.1.11 High-side Output Pin HS1

This output is one high-side driver intended to drive small resistive loads or LEDs incorporating the following features:

- PWM capability (software maskable)
- Open load detection
- Current limitation
- Overtemperature shutdown (with maskable interrupt)
- High-voltage shutdown (software maskable)
- Cyclic sense

The high-side switch is controlled by the HS1 bit in the High-side Control Register (HSCR).

### 15.1.11.1 PWM Capability (Direct Access)

The high-side driver offers additional (to the SPI control) direct control via the PWMIN pin. If the HS1 bit and PWMHS1 is set in the HSCR, then the HS1 driver is turned on if the PWMIN pin is high, and turned off if the PWMIN pin is low.



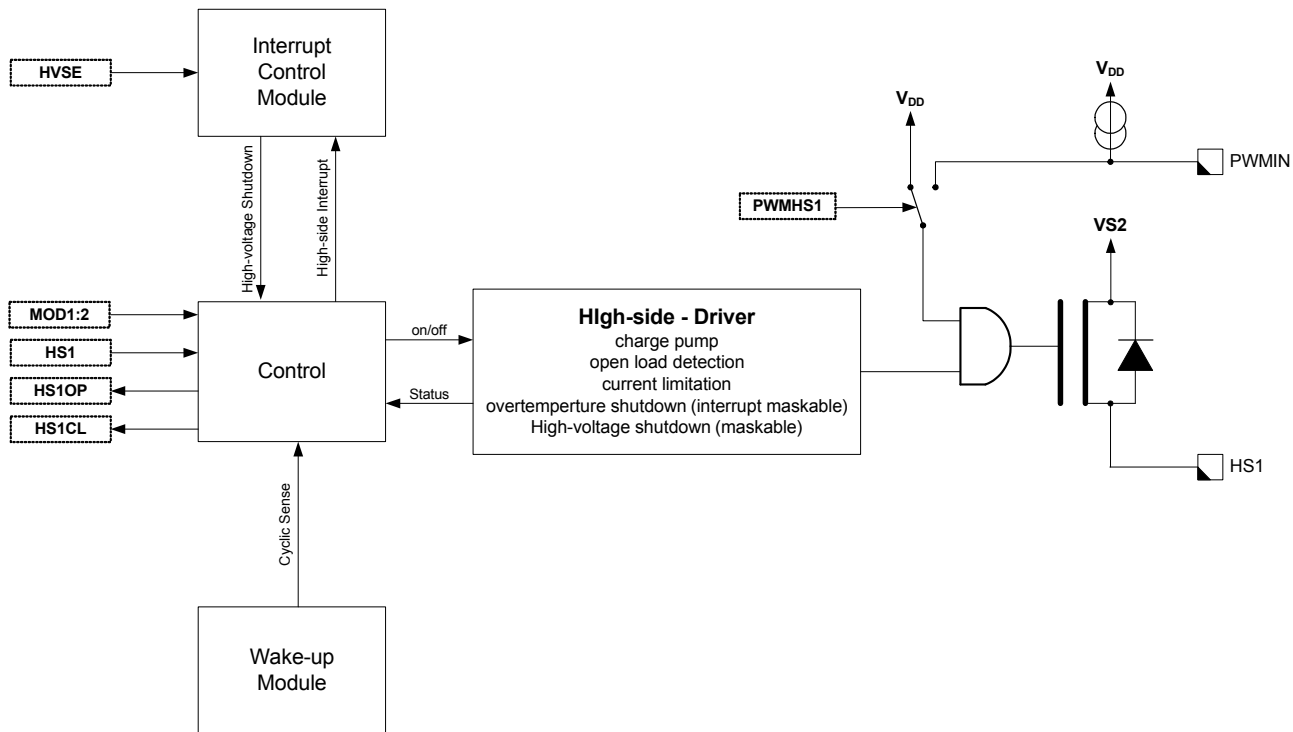


Figure 40. High-side Driver HS1

### 15.1.11.2 Open Load Detection

The high-side driver signals an open load condition if the current through the high-side is below the open load current threshold. The open load condition is indicated with the HS1OP bits in the High-side Status Register (HSSR).

### 15.1.11.3 Current Limitation

The high-side driver has an output current limitation. In combination with the overtemperature shutdown, the high-side driver is protected against overcurrent and short-circuit failures. When the driver operates in the current limitation area, it is indicated with the bit HS1CL in the HSSR.

Note: If the driver is operating in current limitation mode excessive power might be dissipated.

### 15.1.11.4 Overtemperature Protection (HS Interrupt)

The high-side driver is protected against overtemperature. In case of an overtemperature condition, the high-side driver is shutdown and the event is latched in the Interrupt Control Module. The shutdown is indicated as an HS Interrupt in the Interrupt Source Register (ISR). A thermal shutdown of the high-side driver is indicated by setting the HS1OP and HS1CL bits simultaneously. If the bit HSM is set in the Interrupt Mask Register (IMR) than an interrupt (IRQ) is generated. A write to the High-side Control Register (HSCR), when the overtemperature condition is gone, re-enables the high-side driver.

### 15.1.11.5 High-voltage Shutdown

In case of a high-voltage condition, and if the high-voltage shutdown is enabled (bit HVSE in the Mode Control Register (MCR) is set), the high-side driver is shutdown. A write to the HSCR, when the high-voltage condition is gone, re-enables the high-side driver.

### 15.1.11.6 Sleep And Stop Mode

The high-side driver can be enabled to operate in Sleep and Stop mode for cyclic sensing. Also see [Table 37, Operating Modes Overview](#).

## 15.1.12 Low-side Output Pins LS1 and LS2

These outputs are two low-side drivers intended to drive relays incorporating the following features.

- PWM capability (software maskable)
- Open load detection
- Current limitation
- Overtemperature shutdown (with maskable interrupt)
- Active clamp (for driving relays)
- High-voltage shutdown (software maskable)

The low-side switches are controlled by the bit LS1:2 in the Low-side Control Register (LSCR). To protect the device against overvoltage when an inductive load (relay) is turned off, an active clamp re-enables the low-side FET if the voltage on the LS1 or LS2 pin exceeds a certain level.

### 15.1.12.1 PWM Capability (direct access)

Each low-side driver offers additional (to the SPI control) direct control via the PWMIN pin. If both the LS1 and PWMLS1 bits are set in the LSCR, then the LS1 driver is turned on if the PWMIN pin is high, and turned off if the PWMIN pin is low. The same applies to the LS2 and PWMLS2 bits for the LS2 driver.

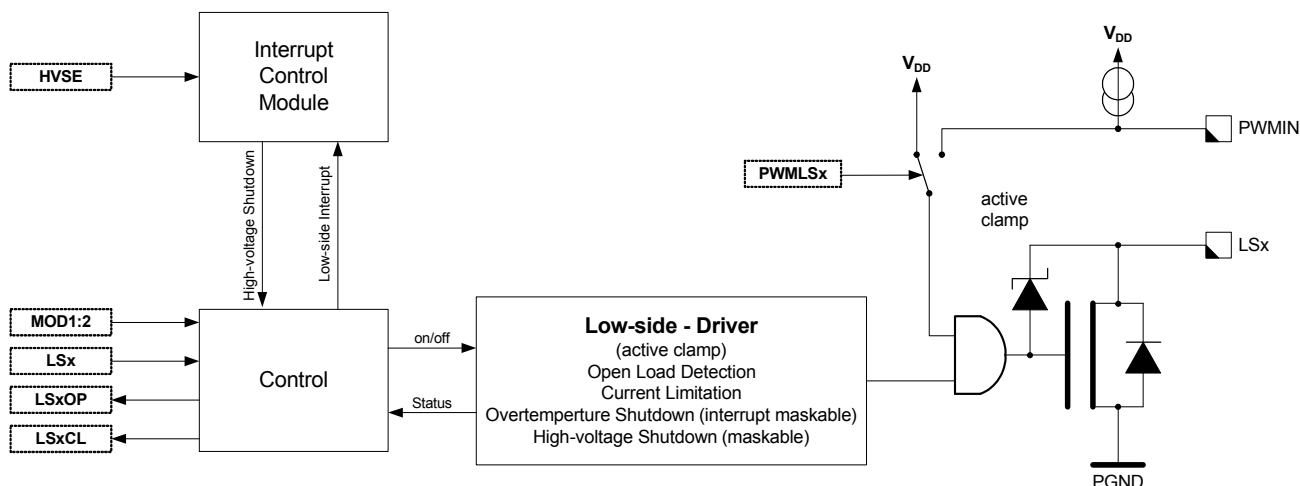


Figure 41. Low-side Drivers LS1 and LS2

### 15.1.12.2 Open Load Detection

Each low-side driver signals an open load condition if the current through the low-side is below the open load current threshold. The open load condition is indicated with the bit LS1OP and LS2OP in the Low-side Status Register (LSSR).

### 15.1.12.3 Current Limitation

Each low-side driver has a current limitation. In combination with the overtemperature shutdown, the low-side drivers are protected against overcurrent and short-circuit failures. When the drivers operate in current limitation, this is indicated with the LS1CL and LS2CL bits in the LSSR.

Note: If the drivers are operating in current limitation mode excessive power might be dissipated.

### 15.1.12.4 Overtemperature Protection (LS Interrupt)

Both low-side drivers are protected against overtemperature. During an overtemperature condition both low-side drivers are shutdown and the event is latched in the Interrupt Control Module. The shutdown is indicated as an LS Interrupt in the Interrupt Source Register (ISR). If the bit LSM is set in the Interrupt Mask Register (IMR), then an Interrupt (IRQ) is generated. A write to the Low-side Control Register (LSCR), when the overtemperature condition is gone, re-enables the low-side drivers.

### 15.1.12.5 High-voltage Shutdown

During a high-voltage condition, and if the high-voltage shutdown is enabled (bit HVSE in the Mode Control Register (MCR) is set), both low-side drivers are shutdown. A write to the LSCR, when the high-voltage condition is gone, re-enables the low-side drivers.

### 15.1.12.6 Sleep And Stop Mode

The low-side drivers are disabled in Sleep and Stop mode. See [Table 37. Operating Modes Overview](#).

### 15.1.13 LIN Physical Layer

The LIN bus pin provides a physical layer for single-wire communication in automotive applications. The LIN physical layer is designed to meet the LIN physical layer specification and has the following features:

- LIN physical layer 2.0 compliant
- Slew rate selection
- Overcurrent shutdown
- Overtemperature shutdown
- LIN pull-up disable in Stop and Sleep modes
- Advanced diagnostics
- LIN dominant voltage level selection

The LIN driver is a low-side MOSFET with overcurrent and thermal shutdown. An internal pull-up resistor with a serial diode structure is integrated, so no external pull-up components are required for the application in a slave node. The fall time from dominant to recessive and the rise time from recessive to dominant is controlled. The symmetry between both slopes is guaranteed.

#### 15.1.13.1 LIN Pin

The LIN pin offers a high susceptibility immunity level from external disturbance, guaranteeing communication.

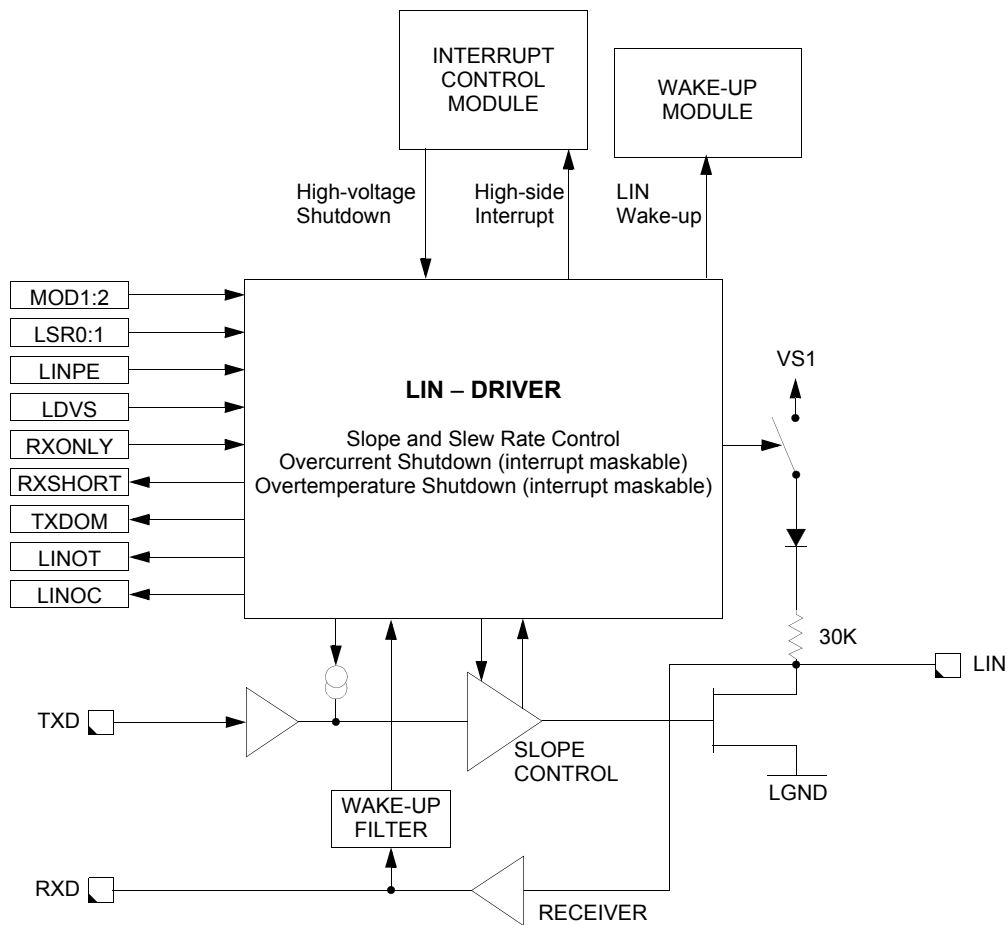


Figure 42. LIN Interface

### 15.1.13.2 Slew Rate Selection

The slew rate can be selected for optimized operation at 10.4 and 20 kBit/s as well as a fast baud rate for test and programming. The slew rate can be adapted with the LSR1:0 bits in the LIN Control Register (LINCRCR). The initial slew rate is optimized for 20 kBit/s.

### 15.1.13.3 LIN Pull-up Disable In Stop And Sleep Modes

In case of a LIN bus short to GND or LIN bus leakage during Low-power mode, the internal pull-up resistor on the LIN pin can be disconnected by clearing the LINPE bit in the Mode Control Register (MCR). The bit LINPE also changes the bus wake-up threshold ( $V_{BUSWU}$ ). This feature reduces the current consumption in STOP and SLEEP modes. It also improves performance and safe operation.

### 15.1.13.4 Current Limit (LIN Interrupt)

The output low-side FET is protected against overcurrent conditions. If an overcurrent condition occurs (e.g. LIN bus short to  $V_{BAT}$ ), the transmitter is not shutdown. The bit LINOC in the LIN Status Register (LINSR) is set. If the LINIM bit is set in the Interrupt Mask Register (IMR) an Interrupt IRQ is generated.

### 15.1.13.5 Overtemperature Shutdown (LIN Interrupt)

The output low-side FET is protected against overtemperature conditions. If an overtemperature condition occurs, the transmitter is shutdown and the LINOT bit in the LINSR is set. If the LINIM bit is set in the IMR an Interrupt IRQ is generated. The transmitter is automatically re-enabled once the condition is gone and TXD is high. A read of the LINSR with the TXD pin high re-enables the transmitter.

### 15.1.13.6 RXD Short-circuit Detection (LIN Interrupt)

The LIN transceiver has a short-circuit detection for the RXD output pin. In case of a short-circuit condition, either 5.0 V or Ground, the RXSHORT bit in the LINSR is set and the transmitter is shutdown. If the LINM bit is set in the IMR an Interrupt IRQ is generated. The transmitter is automatically re-enabled once the condition is gone (transition on RXD) and TXD is high. A read of the LINSR without the RXD pin short-circuit condition clears the RXSHORT bit.

### 15.1.13.7 TXD Dominant Detection (LIN Interrupt)

The LIN transceiver monitors the TXD input pin to detect stuck-in-dominant (0 V) condition. If a stuck condition occurs (TXD pin overvoltage for more than 1 second (typ.)), the transmitter is shutdown and the TXDOM bit in the LINSR is set. If the bit LINM is set in the IMR an Interrupt IRQ is generated. The transmitter is automatically re-enabled once TXD is high. A read of the LINSR with the TXD pin is high clears the bit TXDOM.

### 15.1.13.8 LIN Dominant Voltage Level Selection

The LIN dominant voltage level can be selected by the LDVS bit in the LIN Control Register (LINCRC).

### 15.1.13.9 LIN Receiver Operation Only

While in Normal mode, the activation of the RXONLY bit disables the LIN TXD driver. If a LIN error condition occurs, this bit is automatically set. If a Low-power mode is selected with this bit set, the LIN wake-up functionality is disabled. Then in STOP mode, the RXD pin reflects the state of the LIN bus.

### 15.1.13.10 STOP Mode And Wake-up Feature

During Stop mode operation, the transmitter of the physical layer is disabled. If the LIN-PU bit was set in the Stop mode sequence, the internal pull-up resistor is disconnected from VSUP and a small current source keeps the LIN pin in the recessive state. The receiver is still active and able to detect wake-up events on the LIN bus line. A dominant level longer than  $t_{PROPWL}$  followed by a rising edge generates a wake-up interrupt and is reported in the Interrupt Source Register (ISR). Also see [Figure 34](#).

### 15.1.13.11 SLEEP Mode and Wake-up Feature

During Sleep mode operation, the transmitter of the physical layer is disabled. If the LIN-PU bit was set in the Sleep mode sequence, the internal pull-up resistor is disconnected from  $V_{SUP}$  and a small current source keeps the LIN pin in recessive state. The receiver must still be active to detect wake-up events on the LIN bus line. A dominant level longer than  $t_{PROPWL}$  followed by a rising edge generates a system wake-up (Reset), and is reported in the ISR. See [Figure 33](#).

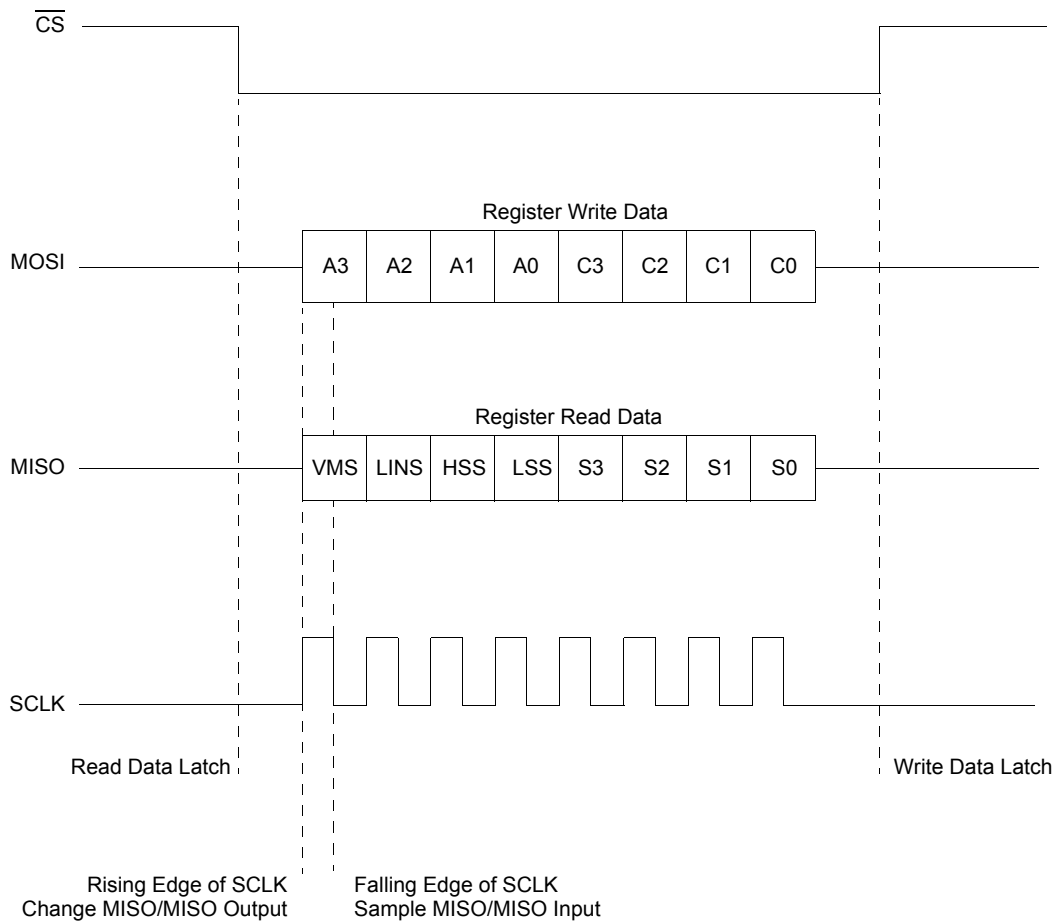
## 15.2 Logic Commands and Registers

### 15.2.1 33911 SPI Interface AND CONFIGURATION

The serial peripheral interface creates the communication link between a microcontroller (master) and the 33911. The interface consists of four pins (see [Figure 43](#)):

- $\overline{CS}$ —Chip Select
- MOSI—Master-Out Slave-In
- MISO—Master-In Slave-Out
- SCLK—Serial Clock

A complete data transfer via the SPI consists of 1 byte. The master sends 4 bits of address (A3:A0) + 4 bits of control information (C3:C0) and the slave replies with four system status bits (VMS,LINS,HSS,LSS) + 4 bits of status information (S3:S0).



**Figure 43. SPI Protocol**

During the inactive phase of the  $\overline{CS}$  (HIGH), the new data transfer is prepared. The falling edge of the  $\overline{CS}$  indicates the start of a new data transfer and puts the MISO in the low-impedance state and latches the analog status data (Register read data). With the rising edge of the SPI clock (SCLK), the data is moved to MISO/MOSI pins. With the falling edge of the SPI clock (SCLK), the data is sampled by the receiver.

The data transfer is only valid if exactly eight sample clock edges are present during the active (low) phase of  $\overline{CS}$ . The rising edge of the Chip Select ( $\overline{CS}$ ) indicates the end of the transfer and latches the write data (MOSI) into the register. The  $\overline{CS}$  high forces MISO to the high-impedance state. Register reset values are described along with the reset condition. Reset condition is the condition causing the bit to be set to its reset value. The main reset conditions are:

- Power-On Reset (POR): level at which the logic is reset and BATFAIL flag sets.
- Reset mode
- Reset done by the  $\overline{RST}$  pin (ext\_reset)

## 15.3 SPI Register Overview

**Table 38. System Status Register**

| Address(A3:A0) | Register Name / Read/Write Information |   | BIT |      |     |     |
|----------------|--|---|-----|------|-----|-----|
|                |  |   | 7   | 6    | 5   | 4   |
| \$0 - \$F      | SYSSR - System Status Register         | R | VMS | LINS | HSS | LSS |

[Table 39](#) summarizes the SPI Register content for Control Information (C3:C0) = W and status information (S3:S0) = R.

**Table 39. SPI Register Overview**

| Address(A3:A0) | Register Name / Read/Write Information       |   | BIT     |        |       |         |
|----------------|--|---|---------|--------|-------|---------|
|                |  |   | 3       | 2      | 1     | 0       |
| \$0            | MCR - Mode Control Register                  | W | HVSE    | LINPE  | MOD2  | MOD1    |
|                | VSR - Voltage Status Register                | R | VSOV    | VSUV   | VDDOT | BATFAIL |
| \$1            | VSR - Voltage Status Register                | R | VSOV    | VSUV   | VDDOT | BATFAIL |
| \$2            | WUCR - Wake-up Control Register              | W | -       | -      | L2WE  | L1WE    |
|                | WUSR - Wake-up Status Register               | R | -       | -      | L2    | L1      |
| \$3            | WUSR - Wake-up Status Register               | R | -       | -      | L2    | L1      |
| \$4            | LINCR - LIN Control Register                 | W | LDVS    | RXONLY | LSR1  | LSR0    |
|                | LINSR - LIN Status Register                  | R | RXSHORT | TXDOM  | LINOT | LINOC   |
| \$5            | LINSR - LIN Status Register                  | R | RXSHORT | TXDOM  | LINOT | LINOC   |
| \$6            | HSCR - High-side Control Register            | W | -       | PWMHS1 | -     | HS1     |
|                | HSSR - High-side Status Register             | R | -       | -      | HS1OP | HS1CL   |
| \$7            | HSSR - High-side Status Register             | R | -       | -      | HS1OP | HS1CL   |
| \$8            | LSCR - Low-side Control Register             | W | PWMLS2  | PWMLS1 | LS2   | LS1     |
|                | LSSR - Low-side Status Register              | R | LS2OP   | LS2CL  | LS1OP | LS1CL   |
| \$9            | LSSR - Low-side Status Register              | R | LS2OP   | LS2CL  | LS1OP | LS1CL   |
| \$A            | TIMCR - Timing Control Register              | W | CS/WD   | WD2    | WD1   | WD0     |
|                | WDSR - Watchdog Status Register              | R |         | CYST2  | CYST1 | CYST0   |
| \$B            | WDSR - Watchdog Status Register              | R | WDTO    | WDERR  | WDOFF | WDWO    |
| \$C            | AMUXCR - Analog Multiplexer Control Register | W | LXDS    | MX2    | MX1   | MX0     |
| \$D            | CFR - Configuration Register                 | W | -       | CYSX8  | -     | -       |
| \$E            | IMR - Interrupt Mask Register                | W | HSM     | LSM    | LINM  | VMM     |
|                | ISR - Interrupt Source Register              | R | ISR3    | ISR2   | ISR1  | ISR0    |
| \$F            | ISR - Interrupt Source Register              | R | ISR3    | ISR2   | ISR1  | ISR0    |

## 15.3.1 Register Definitions

### 15.3.1.1 System Status Register - SYSSR

The System Status Register (SYSSR) is always transferred with every SPI transmission and gives a quick system status overview. It summarizes the status of the Voltage Status Register (VSR), LIN Status Register (LINSR), High-side Status Register (HSSR), and the Low-side Status Register (LSSR).

**Table 40. System Status Register**

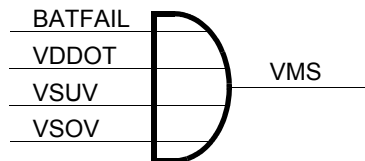
|      | S7  | S6   | S5  | S4  |
|------|-----|------|-----|-----|
| Read | VMS | LINS | HSS | LSS |

### 15.3.1.2 VMS - Voltage Monitor Status

This read-only bit indicates one or more bits in the VSR are set.

1 = Voltage Monitor bit set

0 = None



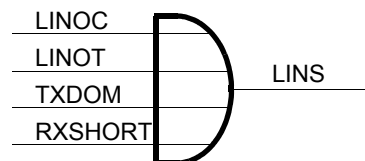
**Figure 44. Voltage Monitor Status**

### 15.3.1.3 LINS - LIN Status

This read-only bit indicates one or more bits in the LINSR are set.

1 = LIN Status bit set

0 = None



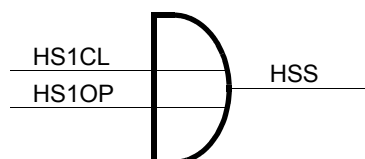
**Figure 45. LIN Status**

### 15.3.1.4 HSS - High-side Switch Status

This read-only bit indicates one or more bits in the HSSR are set.

1 = High-side Status bit set

0 = None



**Figure 46. High-side Status**



### 15.3.1.5 LSS - Low-side Switch Status

This read-only bit indicates one or more bits in the LSSR are set.

1 = Low-status bit set

0 = None

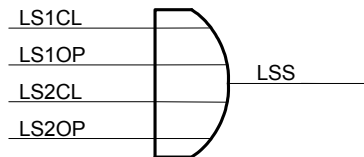


Figure 47. Low-side Status

### 15.3.1.6 Mode Control Register - MCR

The Mode Control Register (MCR) allows to switch between the operation modes and to configure the 33911. Writing the MCR returns the VSR.

Table 41. Mode Control Register - \$0

|                 | C3   | C2    | C1   | C0   |
|-----------------|------|-------|------|------|
| Write           | HVSE | LINPE | MOD2 | MOD1 |
| Reset Value     | 1    | 1     | -    | -    |
| Reset Condition | POR  | POR   | -    | -    |

### 15.3.1.7 HVSE - High-Voltage Shutdown Enable

This write-only bit enables/disables automatic shutdown of the high-side and the low-side drivers during a high-voltage VSOV condition.

1 = automatic shutdown enabled

0 = automatic shutdown disabled

### 15.3.1.8 LINPE - LIN Pull-up Enable

This write-only bit enables/disables the 30 kΩ LIN pull-up resistor in STOP and SLEEP modes. This bit also controls the LIN bus wake-up threshold.

1 = LIN pull-up resistor enabled

0 = LIN pull-up resistor disabled

### 15.3.1.9 MOD2, MOD1 - Mode Control Bits

These write-only bits select the operating mode and allow to clear the watchdog in accordance with [Table 42](#), Mode Control bits.

Table 42. Mode Control Bits

| MOD2 | MOD1 | Description                  |
|------|------|------------------------------|
| 0    | 0    | Normal Mode                  |
| 0    | 1    | Stop Mode                    |
| 1    | 0    | Sleep Mode                   |
| 1    | 1    | Normal Mode + watchdog Clear |

### 15.3.1.10 Voltage Status Register - VSR

Returns the status of the several voltage monitors. This register is also returned when writing to the Mode Control Register (MCR).

**Table 43. Voltage Status Register - \$0/\$1**

|      | S3   | S2   | S1    | S0      |
|------|------|------|-------|---------|
| Read | VSOV | VSUV | VDDOT | BATFAIL |

### 15.3.1.11 VSOV - $V_{SUP}$ Overvoltage

This read-only bit indicates an overvoltage condition on the VS1 pin.

1 = Overvoltage condition.

0 = Normal condition.

### 15.3.1.12 VSUV - $V_{SUP}$ Undervoltage

This read-only bit indicates an undervoltage condition on the VS1 pin.

1 = Undervoltage condition.

0 = Normal condition.

### 15.3.1.13 VDDOT - Main Voltage Regulator Overtemperature Warning

This read-only bit indicates the main voltage regulator temperature reached the Overtemperature Prewarning Threshold.

1 = Overtemperature Prewarning

0 = Normal

### 15.3.1.14 BATFAIL - Battery Fail Flag

This read-only bit is set during power-up and indicates the 33911 had a Power On Reset (POR). Any access to the MCR or Voltage Status Register (VSR) clears the BATFAIL flag.

1 = POR Reset has occurred

0 = POR Reset has not occurred

### 15.3.1.15 Wake-up Control Register - WUCR

This register is used to control the digital wake-up inputs. Writing the Wake-up Control Register (WUCR) returns the Wake-up Status Register (WUSR).

**Table 44. Wake-up Control Register - \$2**

|                 | C3                           | C2 | C1   | C0   |
|-----------------|------------------------------|----|------|------|
| Write           | 0                            | 0  | L2WE | L1WE |
| Reset Value     | 1                            | 1  | 1    | 1    |
| Reset Condition | POR, Reset mode or ext_reset |    |      |      |

### 15.3.1.16 LxWE - Wake-up Input x Enable

This write-only bit enables/disables which Lx inputs are enabled. In Stop and Sleep mode the LxWE bit determines which wake inputs are active for wake-up. If one of the Lx inputs is selected on the analog multiplexer, the corresponding LxWE is masked to 0.

1 = Wake-up Input x enabled.

0 = Wake-up Input x disabled.

### 15.3.1.17 Wake-up Status Register - WUSR

This register is used to monitor the digital wake-up inputs and is also returned when writing to the WUCR.

**Table 45. Wake-Up Status Register - \$2/\$3**

|      | S3 | S2 | S1 | S0 |
|------|----|----|----|----|
| Read | -  | -  | L2 | L1 |

### 15.3.1.18 Lx - Wake-up Input x

This read-only bit indicates the status of the corresponding Lx input. If the Lx input is not enabled then the according wake-up status returns 0. After a wake-up from Stop or Sleep mode these bits also allow to determine which input has caused the wake-up, by first reading the Interrupt Status Register (ISR) and then reading the WUSR.

1 = Lx Wake-up.

0 = Lx Wake-up disabled or selected as analog input.

### 15.3.1.19 LIN Control Register - LINCR

This register controls the LIN physical interface block. Writing the LIN Control Register (LINCR) returns the LIN Status Register (LINSR).

**Table 46. LIN Control Register - \$4**

|                 | C3                           | C2  | C1   | C0   |
|-----------------|------------------------------|---|------|------|
| Write           | LDVS                         | RXONLY  | LSR1 | LSR0 |
| Reset Value     | 0                            | 0   | 0    | 0    |
| Reset Condition | POR, Reset mode or ext_reset | POR, Reset mode, ext_reset or LIN failure gone* | POR  |      |

\* LIN failure gone: if LIN failure (overtemp, TxD/RxD short) was set, the flag resets automatically when the failure is gone.

### 15.3.1.20 LDVS - LIN Dominant Voltage Select

This write-only bit controls the LIN dominant voltage:

1 = LIN Dominant Voltage =  $V_{LIN\_DOM\_1}$  (1.7 V typ)

0 = LIN Dominant Voltage =  $V_{LIN\_DOM\_0}$  (1.1 V typ)

### 15.3.1.21 RXONLY - LIN Receiver Operation Only

This write-only bit controls the behavior of the LIN transmitter. In Normal mode, the activation of the RXONLY bit disables the LIN transmitter. During a LIN error condition, this bit is automatically set. In Stop mode, this bit disables the LIN wake-up functionality and the RXD pin reflects the state of the LIN bus.

1 = only LIN receiver active (Normal mode) or LIN wake-up disabled (Stop mode).

0 = LIN fully enabled.

### 15.3.1.22 LSRx - LIN Slew Rate

This write-only bit controls the LIN driver slew rate in accordance with [Table 47](#).

**Table 47. LIN Slew-rate Control**

| LSR1 | LSR0 | Description                      |
|------|------|----------------------------------|
| 0    | 0    | Normal Slew Rate (up to 20 kb/s) |
| 0    | 1    | Slow Slew Rate (up to 10 kb/s)   |
| 1    | 0    | Fast Slew Rate (up to 100 kb/s)  |
| 1    | 1    | Reserved                         |

### 15.3.1.23 LIN Status Register - LINSR

This register returns the status of the LIN physical interface block and is also returned when writing to the LIN Control Register (LINCRC).

**Table 48. LIN Status Register - S3/S2/S1/S0**

|      | S3      | S2    | S1    | S0    |
|------|---------|-------|-------|-------|
| Read | RXSHORT | TXDOM | LINOT | LINOC |

### 15.3.1.24 RXSHORT - RXD Short-circuit

This read-only bit indicates a short-circuit condition on RXD (shorted either to 5.0 V or to Ground). The short-circuit delay must be 8.0  $\mu$ s worst case to be detected and to shutdown the driver. To clear this bit, it must be read after the condition is gone (transition detected on RXD). The LIN driver is automatically re-enabled once the condition is gone.

1 = RXD short-circuit condition.

0 = None.

### 15.3.1.25 TXDOM - TXD Permanent Dominant

This read-only bit signals the detection of a TXD pin stuck at dominant (Ground) condition and the resultant shutdown in the LIN transmitter. This condition is detected after the TXD pin remains in dominant state for more than 1 second typical value. To clear this bit, it must be read after TXD has gone high. The LIN driver is automatically re-enabled once TXD goes high.

1 = TXD stuck at dominant fault detected.

0 = None.

### 15.3.1.26 LINOT - LIN Driver Overtemperature Shutdown

This read-only bit signals the LIN transceiver was shutdown due to overtemperature. The transmitter is automatically re-enabled after the overtemperature condition is gone and TXD is high. The LINOT bit is cleared after SPI read once the condition is gone.

1 = LIN overtemperature shutdown

0 = None

### 15.3.1.27 LINOC - LIN Driver Overcurrent Shutdown

This read-only bit signals an overcurrent condition occurred on the LIN pin. The LIN driver is not shutdown but an  $\overline{\text{IRQ}}$  is generated. To clear this bit, it must be read after the condition is gone.

1 = LIN overcurrent shutdown

0 = None

### 15.3.1.28 High-side Control Register - HSCR

This register controls the operation of the high-side driver. Writing to this register returns the High-side Status Register (HSSR).

**Table 49. High-side Control Register - \$6**

|                 | C3  | C2     | C1  | C0  |
|-----------------|-----|--------|---|-----|
| Write           | 0   | PWMHS1 | 0   | HS1 |
| Reset Value     | 0   | 0      | 0   | 0   |
| Reset Condition | POR |        | POR, Reset mode, ext_reset, HS1 overtemp or (VSOV & HVSE) |     |

### 15.3.1.29 PWMHS1 - PWM Input Control Enable

This write-only bit enables/disables the PWMIN input pin to control the high-side switch. The high-side switch must be enabled (HS1 bit).

1 = PWMIN input controls HS1 output.

0 = HS1 is controlled only by SPI.

### 15.3.1.30 HS1 - High-side Switch Control

This write-only bit enables/disables the high-side switch.

1 = HS1 switch on.

0 = HS1 switch off.

### 15.3.1.31 High-side Status Register - HSSR

This register returns the status of the high-side switch and is also returned when writing to the High-side Control Register (HSCR).

**Table 50. High-side Status Register - \$6/\$7**

|      | S3 | S2 | S1    | S0    |
|------|----|----|-------|-------|
| Read | -  | -  | HS1OP | HS1CL |

### 15.3.1.32 High-side Thermal Shutdown

A thermal shutdown of the high-side drivers is indicated by setting the HS1OP and HS1CL bits simultaneously.

### 15.3.1.33 HS1OP - High-side Switch Open Load Detection

This read-only bit signals the high-side switch is conducting current below a certain threshold indicating possible load disconnection.

1 = HS1 Open Load detected (or thermal shutdown)

0 = Normal

### 15.3.1.34 HS1CL - High-side Current Limitation

This read-only bit indicates the high-side switch is operating in current limitation mode.

1 = HS1 in current limitation (or thermal shutdown)

0 = Normal

### 15.3.1.35 Low-side Control Register - LSCR

This register controls the operation of the low-side drivers. Writing the Low-side Control Register (LSCR) also returns the Low-side Status Register (LSSR).

**Table 51. Low-side Control Register - \$8**

|                 | C3     | C2     | C1  | C0  |
|-----------------|--------|--------|---|-----|
| Write           | PWMLS2 | PWMLS1 | LS2   | LS1 |
| Reset Value     | 0      | 0      | 0   | 0   |
| Reset Condition | POR    |        | POR, Reset mode, ext_reset, LSx overtemp or (VSOV & HVSE) |     |

### 15.3.1.36 PWMLx - PWM Input Control Enable

This write-only bit enables/disables the PWMIN input pin to control the respective low-side switch. The corresponding low-side switch must be enabled (LSx bit).

1 = PWMIN input controls LSx.

0 = LSx is controlled only by SPI.

### 15.3.1.37 LSx - LSx Switch Control

This write-only bit enables/disables the corresponding low-side switch.

1 = LSx switch on.

0 = LSx switch off.

### 15.3.1.38 Low-side Status Register - LSSR

This register returns the status of the low-side switches and is also returned when writing to the LSCR.

**Table 52. Low-side Status Register - \$8/\$9**

|      | C3    | C2    | C1    | C0    |
|------|-------|-------|-------|-------|
| Read | LS2OP | LS2CL | LS1OP | LS1CL |

### 15.3.1.39 Low-side Thermal Shutdown

A thermal shutdown of the low-side drivers is indicated by setting all LSxOP and LSxCL bits simultaneously.

### 15.3.1.40 LSxOP - Low-side Switch Open Load Detection

This read-only bit signals the low-side switches are conducting current below a certain threshold indicating possible load disconnection.

1 = LSx Open load detected (or thermal shutdown)

0 = Normal

### 15.3.1.41 LSxCL - Low-side Current Limitation

This read-only bit indicates the respective low-side switch is operating in current limitation mode.

1 = LSx in current limitation (or thermal shutdown)

0 = Normal

### 15.3.1.42 Timing Control Register - TIMCR

This register is a double purpose register which allows to configure the watchdog and the cyclic sense periods. Writing to the Timing Control Register (TIMCR) also returns the Watchdog Status Register (WDSR).

**Table 53. Timing Control Register - \$A**

|                 | C3                         | C2    | C1    | C0    |
|-----------------|----------------------------|-------|-------|-------|
| Write           | CS/ $\overline{\text{WD}}$ | WD2   | WD1   | WD0   |
|                 |                            | CYST2 | CYST1 | CYST0 |
| Reset Value     | -                          | 0     | 0     | 0     |
| Reset Condition | -                          | POR   |       |       |

### 15.3.1.43 CS/ $\overline{\text{WD}}$ - Cyclic Sense or Watchdog Prescaler Select

This write-only bit selects which prescaler is being written to, the Cyclic Sense prescaler or the watchdog prescaler.

1 = Cyclic Sense Prescaler selected

0 = watchdog Prescaler select

### 15.3.1.44 W<sub>Dx</sub> - Watchdog Prescaler

This write-only bits selects the divider for the watchdog prescaler and therefore selects the watchdog period in accordance with [Table 54](#). This configuration is valid only if windowing watchdog is active.

**Table 54. Watchdog Prescaler**

| WD2 | WD1 | WD0 | Prescaler Divider |
|-----|-----|-----|-------------------|
| 0   | 0   | 0   | 1                 |
| 0   | 0   | 1   | 2                 |
| 0   | 1   | 0   | 4                 |
| 0   | 1   | 1   | 6                 |
| 1   | 0   | 0   | 8                 |
| 1   | 0   | 1   | 10                |
| 1   | 1   | 0   | 12                |
| 1   | 1   | 1   | 14                |

### 15.3.1.45 CYSTx - Cyclic Sense Period Prescaler Select

This write-only bits selects the interval for the wake-up cyclic sensing together with the bit CYSX8 in the Configuration Register (CFR) (see [Configuration Register - CFR](#)). This option is only active if the high-side switch is enabled when entering in Stop or Sleep mode. Otherwise a timed wake-up is performed after the period shown in [Table 55](#).

**Table 55. Cyclic Sense Interval**

| CYSX8 <sup>(129)</sup> | CYST2 | CYST1 | CYST0 | Interval        |
|------------------------|-------|-------|-------|-----------------|
| X                      | 0     | 0     | 0     | No cyclic sense |
| 0                      | 0     | 0     | 1     | 20 ms           |
| 0                      | 0     | 1     | 0     | 40 ms           |
| 0                      | 0     | 1     | 1     | 60 ms           |
| 0                      | 1     | 0     | 0     | 80 ms           |
| 0                      | 1     | 0     | 1     | 100 ms          |
| 0                      | 1     | 1     | 0     | 120 ms          |
| 0                      | 1     | 1     | 1     | 140 ms          |
| 1                      | 0     | 0     | 1     | 160 ms          |
| 1                      | 0     | 1     | 0     | 320 ms          |
| 1                      | 0     | 1     | 1     | 480 ms          |
| 1                      | 1     | 0     | 0     | 640 ms          |
| 1                      | 1     | 0     | 1     | 800 ms          |
| 1                      | 1     | 1     | 0     | 960 ms          |
| 1                      | 1     | 1     | 1     | 1120 ms         |

Notes

129. bit CYSX8 is located in Configuration Register (CFR)

### 15.3.1.46 Watchdog Status Register - WDSR

This register returns the watchdog status information and is returned when writing to the TIMCR.

**Table 56. Watchdog Status Register - \$A/\$B**

|      | S3   | S2    | S1    | S0   |
|------|------|-------|-------|------|
| Read | WDTO | WDERR | WDOFF | WDWO |

### 15.3.1.47 WDTO - Watchdog Timeout

This read-only bit signals the last reset was caused by either a watchdog timeout or by an attempt to clear the watchdog within the window closed. Any access to this register or the TIMCR clears the WDTO bit.

1 = Last reset caused by watchdog timeout

0 = None

### 15.3.1.48 WDERR - Watchdog Error

This read-only bit signals the detection of a missing watchdog resistor. In this condition, the watchdog uses the internal, lower precision timebase. The Windowing function is disabled.

1 = WDCONF pin resistor missing

0 = WDCONF pin resistor not floating



### 15.3.1.49 WDOFF - Watchdog Off

This read-only bit signals the watchdog pin connected to Ground and therefore disabled. In this case watchdog timeouts are disabled and the device automatically enters Normal mode out of Reset. This might be necessary for software debugging and for programming the flash memory.

1 = Watchdog is disabled

0 = Watchdog is enabled

### 15.3.1.50 WDWO - Watchdog Window Open

This read-only bit signals when the watchdog window is open for clears. The purpose of this bit is for testing. Should be ignored in case WDERR is High.

1 = Watchdog window open

0 = Watchdog window closed

### 15.3.1.51 Analog Multiplexer Control Register - MUXCR

This register controls the analog multiplexer and selects the divider ration for the Lx input divider.

**Table 57. Analog Multiplexer Control Register - \$C**

|                 | <b>C3</b> | <b>C2</b>                    | <b>C1</b> | <b>C0</b> |
|-----------------|-----------|------------------------------|-----------|-----------|
| Write           | LXDS      | MX2                          | MX1       | MX0       |
| Reset Value     | 1         | 0                            | 0         | 0         |
| Reset Condition | POR       | POR, Reset mode or ext_reset |           |           |

### 15.3.1.52 LXDS - Lx Analog Input Divider Select

This write-only bit selects the resistor divider for the Lx analog inputs. Voltage is internally clamped to VDD.

0 = Lx Analog divider: 1

1 = Lx Analog divider: 3.6 (typ.)

### 15.3.1.53 MXx - Analog Multiplexer Input Select

These write-only bits selects which analog input is multiplexed to the ADOUT0 pin according to [Table](#). When disabled or when in Stop or Sleep mode, the output buffer is not powered and the ADOUT0 output is left floating to achieve lower current consumption.

**Table 58. Analog Multiplexer Channel Select**

| <b>MX2</b> | <b>MX1</b> | <b>MX0</b> | <b>Meaning</b>         |
|------------|------------|------------|------------------------|
| 0          | 0          | 0          | Disabled               |
| 0          | 0          | 1          | Reserved               |
| 0          | 1          | 0          | Die Temperature Sensor |
| 0          | 1          | 1          | VSENSE input           |
| 1          | 0          | 0          | L1 input               |
| 1          | 0          | 1          | L2 input               |
| 1          | 1          | 0          | Reserved               |
| 1          | 1          | 1          | Reserved               |

### 15.3.1.54 Configuration Register - CFR

This register controls the cyclic sense timing multiplier.

**Table 59. Configuration Register - \$D**

|                 | C3                           | C2    | C1  | C0  |
|-----------------|------------------------------|-------|-----|-----|
| Write           | 0                            | CYSX8 | 0   | 0   |
| Reset Value     | 0                            | 0     | 0   | 0   |
| Reset Condition | POR, Reset mode or ext_reset | POR   | POR | POR |

### 15.3.1.55 CYSX8 - Cyclic Sense Timing x 8

This write-only bit influences the cyclic sense period as shown in [Table](#).

1 = Multiplier enabled  
0 = None

### 15.3.1.56 Interrupt Mask Register - IMR

This register allow to mask some of interrupt sources. The respective flags within the Interrupt Source Register (ISR) continues to work but does not generate interrupts to the MCU. The 5.0 V Regulator overtemperature prewarning interrupt and undervoltage (VSUV) interrupts can not be masked and always causes an interrupt.

Writing to the Interrupt Mask Register (IMR) returns the ISR.

**Table 60. Interrupt Mask Register - \$E**

|                 | C3  | C2  | C1   | C0  |
|-----------------|-----|-----|------|-----|
| Write           | HSM | LSM | LINM | VMM |
| Reset Value     | 1   | 1   | 1    | 1   |
| Reset Condition | POR |     |      |     |

### 15.3.1.57 HSM - High-side Interrupt Mask

This write-only bit enables/disables interrupts generated in the high-side block.

1 = HS Interrupts Enabled  
0 = HS Interrupts Disabled

### 15.3.1.58 LSM - Low-side Interrupt Mask

This write-only bit enables/disables interrupts generated in the low-side block.

1 = LS Interrupts Enabled  
0 = LS Interrupts Disabled

### 15.3.1.59 LINM - LIN Interrupts Mask

This write-only bit enables/disables interrupts generated in the LIN block.

1 = LIN Interrupts Enabled  
0 = LIN Interrupts Disabled

### 15.3.1.60 VMM - Voltage Monitor Interrupt Mask

This write-only bit enables/disables interrupts generated in the Voltage Monitor block. The only maskable interrupt in the Voltage Monitor block is the  $V_{SUP}$  overvoltage interrupt.

1 = Interrupts Enabled

0 = Interrupts Disabled

### 15.3.1.61 Interrupt Source Register - ISR

This register allows the MCU to determine the source of the last interrupt or wake-up respectively. A read of the register acknowledges the interrupt and leads  $IRQ$  pin to high, in case there are no other pending interrupts. If there are pending interrupts,  $IRQ$  is driven high for 10  $\mu s$  and then be driven low again. This register is also returned when writing to the IMR.

**Table 61. Interrupt Source Register - \$E/\$F**

|      | S3   | S2   | S1   | S0   |
|------|------|------|------|------|
| Read | ISR3 | ISR2 | ISR1 | ISR0 |

### 15.3.2 ISRx - Interrupt Source Register

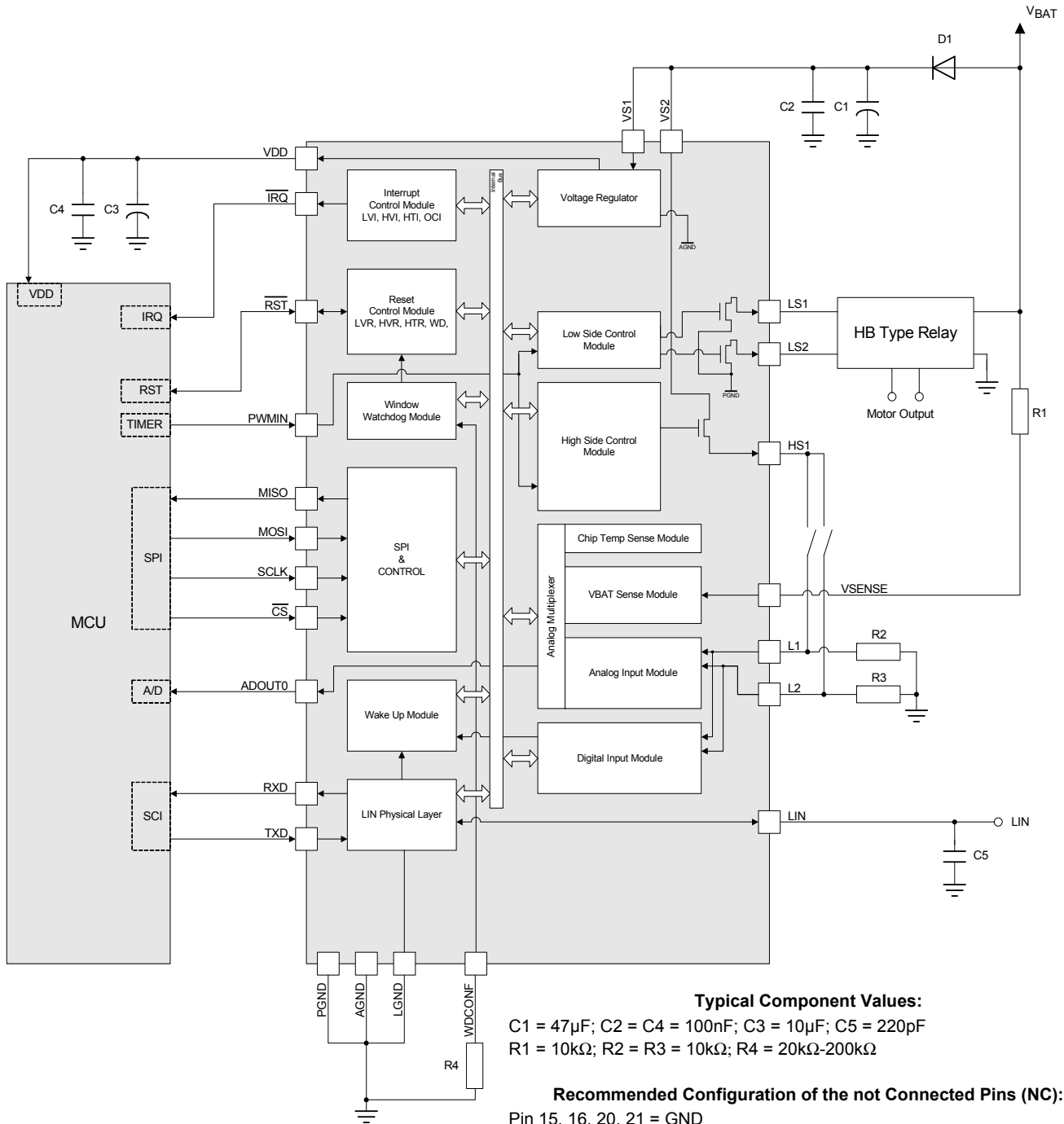
These read-only bits indicate the interrupt source following [Table](#). If no interrupt is pending than all bits are 0. If more than one interrupt is pending, than the interrupt sources are handled sequentially multiplex.

#### Interrupt Sources

|      |      |      |      | Interrupt Source  |   | Priority |
|------|------|------|------|---|---|----------|
| ISR3 | ISR2 | ISR1 | ISR0 | none maskable   | maskable  |          |
| 0    | 0    | 0    | 0    | no interrupt  | no interrupt  | none     |
| 0    | 0    | 0    | 1    |   | Lx Wake-up from Stop mode-                                    | highest  |
| 0    | 0    | 1    | 0    | -   | HS Interrupt (Overtemperature)                                |          |
| 0    | 0    | 1    | 1    | -   | LS Interrupt (Overtemperature)                                |          |
| 0    | 1    | 0    | 0    |   | LIN Interrupt (RXSHORT, TXDOM, LIN OT, LIN OC) or LIN Wake-up |          |
| 0    | 1    | 0    | 1    | Voltage Monitor Interrupt (Low-voltage and VDD overtemperature) | Voltage Monitor Interrupt (High-voltage)                      |          |
| 0    | 1    | 1    | 0    | -   | Forced Wake-up  | lowest   |

# 16 Typical Application

The 33911 can be configured in several applications. The figure below shows the 33911 in the typical Slave Node Application.



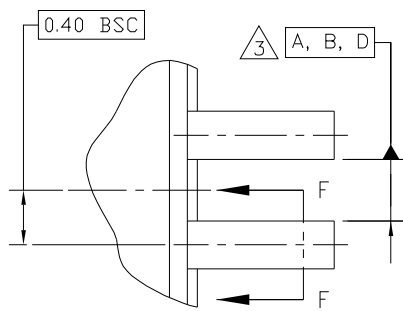
**Typical Component Values:**

C1 = 47µF; C2 = C4 = 100nF; C3 = 10µF; C5 = 220pF  
 R1 = 10kΩ; R2 = R3 = 10kΩ; R4 = 20kΩ-200kΩ

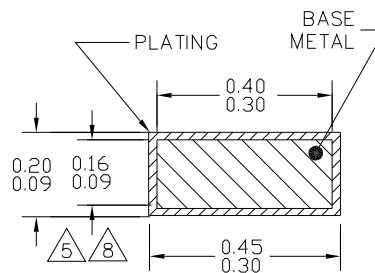
**Recommended Configuration of the not Connected Pins (NC):**

- Pin 15, 16, 20, 21 = GND
- Pin 11, 30 = open (floating)
- Pin 24 = open (floating) or VS2
- Pin 28 = this pin is not internally connected and may be used for PCB routing optimization.



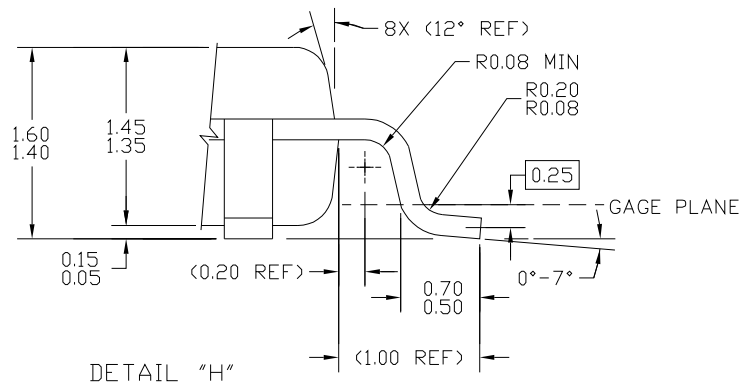


DETAIL G



⊕ 0.2 M C A-B D

SECTION F-F  
ROTATED 90°CW  
32 PLACES



DETAIL "H"

|   |                            |                            |  |
|---|----------------------------|----------------------------|--|
| © FREESCALE SEMICONDUCTOR, INC.<br>ALL RIGHTS RESERVED.                         | MECHANICAL OUTLINE         | PRINT VERSION NOT TO SCALE |  |
| TITLE:<br>LOW PROFILE QUAD FLAT PACK (LQFP)<br>32 LEAD, 0.8 PITCH (7 X 7 X 1.4) | DOCUMENT NO: 98ASH70029A   | REV: D                     |  |
|   | CASE NUMBER: 873A-03       | 19 MAY 2005                |  |
|   | STANDARD: JEDEC MS-026 BBA |                            |  |

# 18 Revision History

| Revision | Date    | Description of Changes   |
|----------|---------|--|
| 1.0      | 5/2007  | <ul style="list-style-type: none"> <li>Initial Release</li> </ul>  |
| 2.0      | 9/2007  | <ul style="list-style-type: none"> <li>Several textual corrections</li> <li>Page 11: "Analog Output offset Ratio" (LXDS=1) changed to "Analog Output offset" +/-22mV</li> <li>Page 11: VSENSE Input Divider Ratio adjusted to 5,0/5,25/5,5</li> <li>Page 12: Common mode input impedance corrected to 75kΩ</li> <li>Page 13/15: LIN PHYSICAL LAYER parameters adjusted to final LIN specification release</li> </ul>   |
| 3.0      | 9/2007  | <ul style="list-style-type: none"> <li>Revision number incremented at engineering request.</li> </ul>  |
| 4.0      | 2/2008  | <ul style="list-style-type: none"> <li>Changed Functional Block Diagram on page 24.</li> </ul>   |
| 5.0      | 11/2008 | <ul style="list-style-type: none"> <li>Datasheet updated according to the Pass1.2 silicon version electrical parameters</li> <li>Add Maximum Rating on I<sub>BUS_NO_GND</sub> parameter</li> <li>Added <a href="#">L1 and L2, Temperature Sense Analog Output Voltage per characterization, Internal Chip Temperature Sense Gain per characterization at 3 temperatures. See Figure 16, Temperature Sense Gain, VSENSE Input Divider Ratio (RATIOVSENSE=Vsense/Vadout0) per characterization, and VSENSE Output Related Offset per characterization</a> parameters</li> <li>Added <a href="#">Temperature Sense Gain</a> section</li> <li>Minor corrections to <a href="#">ESD Capability</a>, <sup>(17)</sup>, <a href="#">Cyclic Sense ON Time from Stop and Sleep Mode</a>, <a href="#">Lin Bus Pin (LIN)</a>, <a href="#">Serial Data Clock Pin (SCLK)</a>, <a href="#">Master Out Slave In Pin (MOSI)</a>, <a href="#">Master In Slave Out Pin (MISO)</a>, <a href="#">Low-side Pins (LS1 and LS2)</a>, <a href="#">Digital/Analog Pins (L1 and L2)</a>, <a href="#">Normal Request Mode</a>, <a href="#">Sleep Mode</a>, <a href="#">LIN Overtemperature Shutdown/TXD Stuck At Dominant/RXD Short-circuit</a>, <a href="#">Fault Detection Management Conditions</a>, <a href="#">Lin Physical Layer</a>, <a href="#">LIN Interface</a>, <a href="#">Overtemperature Shutdown (LIN Interrupt)</a>, <a href="#">LIN Receiver Operation Only</a>, <a href="#">SPI Protocol</a>, <a href="#">Lx - Wake-up Input X</a>, <a href="#">LIN Control Register - LINCR</a>, and <a href="#">RXSHORT - RXD Pin Short-circuit</a></li> <li>Updated Freescale form and style</li> </ul> |
| 6.0      | 2/2009  | <ul style="list-style-type: none"> <li>Added explanation for pins Not Connected (NC).</li> </ul>   |
| 7.0      | 3/2009  | <ul style="list-style-type: none"> <li>Changed VBAT_SHIFT and GND_SHIFT maximum from 10% to 11.5% for both parameters on page 14.</li> </ul>   |
| 8.0      | 3/2010  | <ul style="list-style-type: none"> <li>Combined Complete Data sheet for Part Numbers MC33911BAC and MC34911BAC to the back of this data sheet.</li> <li>Changed ESD Voltage for Machine Model from ±200 to ±150</li> </ul>   |
| 9.0      | 01/2014 | <ul style="list-style-type: none"> <li>No technical changes. Revised back page. Updated document properties. Added SMARTMOS sentence to last paragraph.</li> </ul>   |
| 10.0     | 9/2015  | <ul style="list-style-type: none"> <li>Added note <sup>(70)</sup> to <a href="#">Table 28</a></li> </ul>   |



**How to Reach Us:**

**Home Page:**  
[freescale.com](http://freescale.com)

**Web Support:**  
[freescale.com/support](http://freescale.com/support)

Information in this document is provided solely to enable system and software implementers to use Freescale products. There are no express or implied copyright licenses granted hereunder to design or fabricate any integrated circuits based on the information in this document.

Freescale reserves the right to make changes without further notice to any products herein. Freescale makes no warranty, representation, or guarantee regarding the suitability of its products for any particular purpose, nor does Freescale assume any liability arising out of the application or use of any product or circuit, and specifically disclaims any and all liability, including without limitation consequential or incidental damages. "Typical" parameters that may be provided in Freescale data sheets and/or specifications can and do vary in different applications, and actual performance may vary over time. All operating parameters, including "typicals," must be validated for each customer application by customer's technical experts. Freescale does not convey any license under its patent rights nor the rights of others. Freescale sells products pursuant to standard terms and conditions of sale, which can be found at the following address: [freescale.com/SalesTermsandConditions](http://freescale.com/SalesTermsandConditions).

Freescale and the Freescale logo are trademarks of Freescale Semiconductor, Inc., Reg. U.S. Pat. & Tm. Off. SMARTMOS is a trademark of Freescale Semiconductor, Inc. All other product or service names are the property of their respective owners.

© 2015 Freescale Semiconductor, Inc.

Document Number: MC33911  
Rev. 10.0  
9/2015

