



3-Pin, Ultra-Low-Power SC70/SOT μ P Reset Circuits

General Description

The MAX6326/MAX6327/MAX6328/MAX6346/MAX6347/MAX6348 microprocessor (μ P) supervisory circuits monitor the power supplies in μ P and digital systems. These devices provide excellent circuit reliability and low cost by eliminating external components and adjustments when used with 2.5V, 3V, 3.3V, and 5V powered circuits.

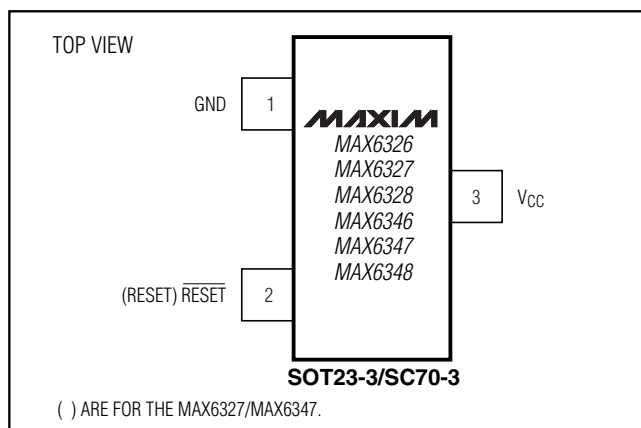
These circuits perform a single function: they assert a reset signal whenever the VCC supply voltage declines below a preset threshold, keeping it asserted for at least 100ms after VCC has risen above the reset threshold. The only difference between the devices is their output. The MAX6326/MAX6346 (push-pull) and MAX6328/MAX6348 (open-drain) have an active-low reset output. The MAX6327/MAX6347 have an active-high push-pull reset output. All of these parts are guaranteed to be in the correct state for VCC down to 1V. The reset comparator is designed to ignore fast transients on VCC. Reset thresholds are factory-trimmable between 2.2V and 4.63V, in approximately 100mV increments. Twenty-one standard versions are available. Contact the factory for availability of nonstandard versions.

Ultra-low supply currents (1 μ A max for the MAX6326/MAX6327/MAX6328) make these parts ideal for use in portable equipment. All six devices are available in space-saving SOT23 and SC70 packages.

Applications

Computers	Intelligent Instruments
Controllers	Automotive
Critical μ P and μ C Power Monitoring	Portable/Battery-Powered Equipment

Pin Configuration



Features

- ◆ Ultra-Low 1 μ A (max) Supply Current (MAX6326/MAX6327/MAX6328)
- ◆ Precision Monitoring of 2.5V, 3V, 3.3V, and 5V Power-Supply Voltages
- ◆ Reset Thresholds Available from 2.2V to 4.63V
- ◆ Fully Specified Over Temperature
- ◆ 100ms (min) Power-On Reset Pulse Width
- ◆ Low Cost
- ◆ Available in Three Versions: Push-Pull RESET, Push-Pull RESET, and Open-Drain RESET
- ◆ Power-Supply Transient Immunity
- ◆ No External Components
- ◆ 3-Pin SC70/SOT23 Packages
- ◆ Pin Compatible with MAX803/MAX809/MAX810

Ordering Information

PART [†]	TEMP. RANGE	PIN-PACKAGE
MAX6326XR_ _T	-40°C to +85°C	3 SC70-3
MAX6326UR_ _T	-40°C to +85°C	3 SOT23-3
MAX6327XR_ _T	-40°C to +85°C	3 SC70-3
MAX6327UR_ _T	-40°C to +85°C	3 SOT23-3
MAX6328XR_ _T	-40°C to +85°C	3 SC70-3
MAX6328UR_ _T	-40°C to +85°C	3 SOT23-3
MAX6346XR_ _T	-40°C to +85°C	3 SC70-3
MAX6346UR_ _T	-40°C to +85°C	3 SOT23-3
MAX6347XR_ _T	-40°C to +85°C	3 SC70-3
MAX6347UR_ _T	-40°C to +85°C	3 SOT23-3
MAX6348XR_ _T	-40°C to +85°C	3 SC70-3
MAX6348UR_ _T	-40°C to +85°C	3 SOT23-3

[†] The MAX6326/MAX6327/MAX6328/MAX6346/MAX6347/MAX6348 are available in factory-set VCC reset thresholds from 2.2V to 4.63V, in approximately 0.1V increments. Choose the desired reset-threshold suffix from Table 1 and insert it in the blank spaces following "R." There are 21 standard versions with a required order increment of 2500 pieces. Sample stock is generally held on the standard versions only (see the Selector Guide). Required order increment is 10,000 pieces for nonstandard versions (Table 2). Contact factory for availability. All devices available in tape-and-reel only. Devices are available in both leaded and lead-free packaging. Specify lead-free by replacing "-T" with "+T" when ordering.

Selector Guide appears at end of data sheet.

3-Pin, Ultra-Low-Power SC70/SOT μ P Reset Circuits

ABSOLUTE MAXIMUM RATINGS

Terminal Voltage (with respect to GND)		Continuous Power Dissipation ($T_A = +70^\circ\text{C}$)
V_{CC}	-0.3V to +6V	3-Pin SC70 (derate 2.7mW/ $^\circ\text{C}$ above +70 $^\circ\text{C}$).....
RESET, $\overline{\text{RESET}}$ (push-pull).....	-0.3V to ($V_{CC} + 0.3\text{V}$)	3-Pin SOT23 (derate 4mW/ $^\circ\text{C}$ above +70 $^\circ\text{C}$).....
RESET (open drain).....	-0.3V to +6V	Operating Temperature Range.....
Input Current (V_{CC}).....	20mA	Storage Temperature Range.....
Output Current (RESET, $\overline{\text{RESET}}$).....	20mA	Lead Temperature (soldering, 10s).....
Rate of Rise (V_{CC}).....	100V/ μs	

Stresses beyond those listed under "Absolute Maximum Ratings" may cause permanent damage to the device. These are stress ratings only, and functional operation of the device at these or any other conditions beyond those indicated in the operational sections of the specifications is not implied. Exposure to absolute maximum rating conditions for extended periods may affect device reliability.

ELECTRICAL CHARACTERISTICS

(V_{CC} = full range, T_A = -40 $^\circ\text{C}$ to +85 $^\circ\text{C}$, unless otherwise noted. Typical values are at T_A = +25 $^\circ\text{C}$ and V_{CC} = 3V.) (Note 1)

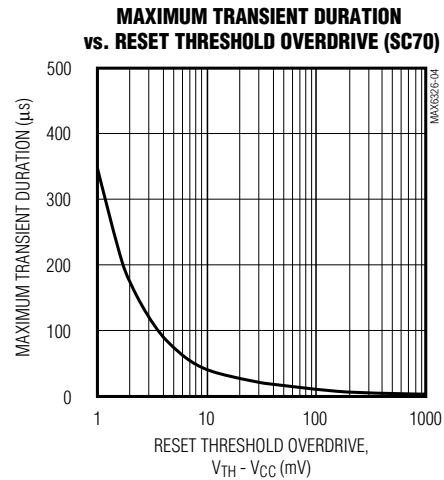
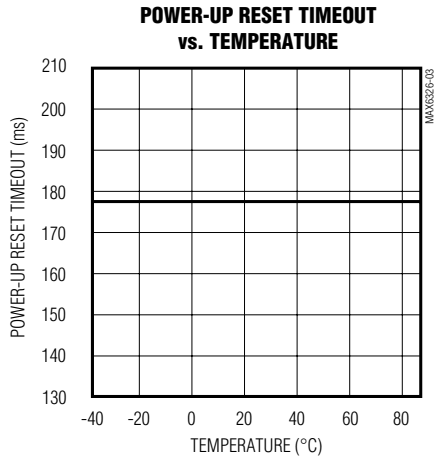
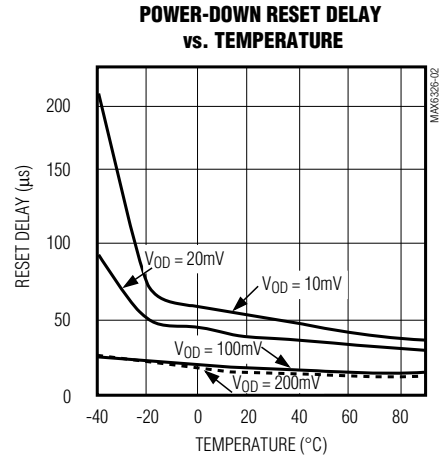
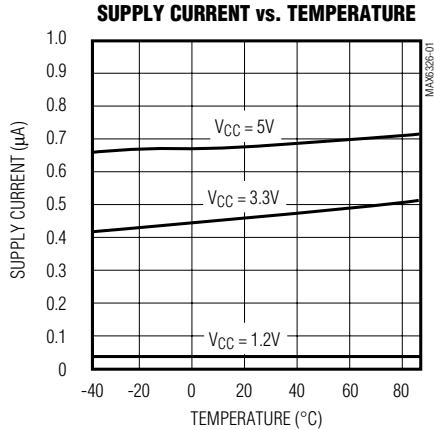
PARAMETER	SYMBOL	CONDITIONS	MIN	TYP	MAX	UNITS	
Vcc Range		$T_A = 0^\circ\text{C}$ to +70 $^\circ\text{C}$	1.0		5.5	V	
		$T_A = -40^\circ\text{C}$ to +85 $^\circ\text{C}$	1.2		5.5		
Supply Current	I_{CC}	MAX632_ only, $V_{CC} = 3.0\text{V}$ for $V_{TH} \leq 2.93\text{V}$, $V_{CC} = 3.2\text{V}$ for $V_{TH} > 2.93\text{V}$, no load		0.5	1.0	μA	
		$V_{CC} = 5.5\text{V}$, no load		1.0	1.75		
Reset Threshold	V_{TH}	Table 1	$T_A = +25^\circ\text{C}$	$V_{TH} - 1.5\%$	V_{TH}	$V_{TH} + 1.5\%$	V
			$T_A = -40^\circ\text{C}$ to +85 $^\circ\text{C}$	$V_{TH} - 2.5\%$	V_{TH}	$V_{TH} + 2.5\%$	
Reset Threshold Tempco	$\Delta V_{TH}/^\circ\text{C}$			40		ppm/ $^\circ\text{C}$	
Vcc to Reset Delay		$V_{CC} = V_{TH}$ to ($V_{TH} - 100\text{mV}$)		20		μs	
Reset Active Timeout Period			100	185	280	ms	
$\overline{\text{RESET}}$ Output Voltage (MAX6326/MAX6328/ MAX6346/MAX6348)	V_{OL}	$I_{SINK} = 1.6\text{mA}$, $V_{CC} > 2.1\text{V}$, reset asserted			0.3	V	
		$I_{SINK} = 100\mu\text{A}$, $V_{CC} \geq 1.2\text{V}$, reset asserted			0.4		
$\overline{\text{RESET}}$ Output Voltage (MAX6326/MAX6346)	V_{OH}	$I_{SOURCE} = 500\mu\text{A}$, $V_{CC} = 3.2\text{V}$, MAX6326 only	0.8 \cdot V_{CC}			V	
		$I_{SOURCE} = 800\mu\text{A}$, $V_{CC} = 4.5\text{V}$, $V_{TH} \leq 4.38\text{V}$	0.8 \cdot V_{CC}				
		$I_{SOURCE} = 800\mu\text{A}$, $V_{CC} = V_{TH(\text{MAX})}$, $V_{TH} \geq 4.5\text{V}$	0.8 \cdot V_{CC}				
RESET Output Voltage (MAX6327/MAX6347)	V_{OH}	$I_{SOURCE} = 500\mu\text{A}$, $V_{CC} \geq 2.1\text{V}$, reset asserted	0.8 \cdot V_{CC}			V	
		$I_{SOURCE} = 50\mu\text{A}$, $V_{CC} \geq 1.2\text{V}$, reset asserted	0.8 \cdot V_{CC}				
	V_{OL}	$I_{SINK} = 1.2\text{mA}$, $V_{CC} \geq 3.2\text{V}$, reset not asserted, MAX6327 only			0.3		
		$I_{SINK} = 3.2\text{mA}$, $V_{CC} \geq 4.5\text{V}$, reset not asserted, $V_{TH} \leq 4.38\text{V}$			0.4		
		$I_{SINK} = 3.2\text{mA}$, $V_{CC} = V_{TH(\text{MAX})}$, $V_{TH} \geq 4.5\text{V}$			0.4		
RESET Threshold Hysteresis		MAX6326/MAX6327/MAX6328	6.3			mV	
		MAX6346/MAX6347/MAX6348	9.5				
Open-Drain $\overline{\text{RESET}}$ Output Leakage Current					0.1	μA	

Note 1: Overtemperature limits are guaranteed by design and not production tested.

3-Pin, Ultra-Low-Power SC70/SOT μ P Reset Circuits

Typical Operating Characteristics

($T_A = +25^\circ\text{C}$, unless otherwise noted.)



Pin Description

PIN		NAME	FUNCTION
MAX6326/MAX6346 MAX6328/MAX6348	MAX6327 MAX6347		
1	1	GND	Ground
2	—	$\overline{\text{RESET}}$	Active-Low Reset Output. $\overline{\text{RESET}}$ remains low while V_{CC} is below the reset threshold and for at least 100ms after V_{CC} rises above the reset threshold. $\overline{\text{RESET}}$ is open-drain on the MAX6328/MAX6348 and push-pull on the MAX6326/MAX6346.
—	2	RESET	Active-High Reset Output. RESET remains high while V_{CC} is below the reset threshold and for at least 100ms after V_{CC} rises above the reset threshold.
3	3	VCC	Supply Voltage

3-Pin, Ultra-Low-Power SC70/SOT μ P Reset Circuits

Applications Information

Interfacing to μ Ps with Bidirectional Reset Pins

Since the $\overline{\text{RESET}}$ output on the MAX6328/MAX6348 is open drain, these devices interface easily with microprocessors (μ Ps) that have bidirectional reset pins, such as the Motorola 68HC11. Connecting the μ P supervisor's $\overline{\text{RESET}}$ output directly to the microcontroller's (μ C's) $\overline{\text{RESET}}$ pin with a single pull-up resistor allows either device to assert reset (Figure 1).

Negative-Going Vcc Transients

In addition to issuing a reset to the μ P during power-up, power-down, and brownout conditions, these devices are relatively immune to short-duration, negative-going Vcc transients (glitches).

The *Typical Operating Characteristics* show the Maximum Transient Duration vs. Reset Threshold Overdrive graph, for which reset pulses are not generated. The graph shows the maximum pulse width that a negative-going Vcc transient may typically have when issuing a reset signal. As the amplitude of the transient increases, the maximum allowable pulse width decreases.

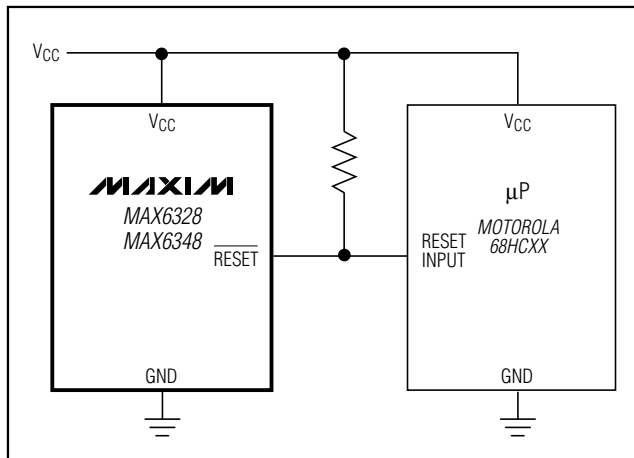


Figure 1. Interfacing to μ Ps with Bidirectional Reset Pins

Table 1. Factory-Trimmed Reset Thresholds \ddagger

PART	SUFFIX	RESET THRESHOLD VOLTAGE, V _{TH} (V)				
		T _A = +25°C			T _A = -40°C to +85°C	
		MIN	TYP	MAX	MIN	MAX
MAX632__R	22	2.167	2.200	2.233	2.145	2.250
MAX632__R	23	2.285	2.320	2.355	2.262	2.375
MAX632__R	24	2.364	2.400	2.436	2.340	2.460
MAX632__R	25	2.462	2.500	2.537	2.437	2.562
MAX632__R	26	2.591	2.630	2.669	2.564	2.696
MAX632__R	27	2.660	2.700	2.741	2.633	2.768
MAX632__R	28	2.758	2.800	2.842	2.730	2.870
MAX632__R	29	2.886	2.930	2.974	2.857	3.000
MAX632__R	30	2.955	3.000	3.045	2.925	3.075
MAX632__R	31	3.034	3.080	3.126	3.003	3.150
MAX634__R	33	3.250	3.300	3.350	3.217	3.383
MAX634__R	34	3.349	3.400	3.451	3.315	3.485
MAX634__R	35	3.447	3.500	3.552	3.412	3.587
MAX634__R	36	3.546	3.600	3.654	3.510	3.690
MAX634__R	37	3.644	3.700	3.755	3.607	3.792
MAX634__R	38	3.743	3.800	3.857	3.705	3.895

\ddagger Factory-trimmed reset thresholds are available in approximately 100mV increments with a 1.5% room-temperature variance.

3-Pin, Ultra-Low-Power SC70/SOT μP Reset Circuits

Table 1. Factory-Trimmed Reset Thresholds‡ (continued)

PART	SUFFIX	RESET THRESHOLD VOLTAGE, V _{TH} (V)				
		T _A = +25°C			T _A = -40°C to +85°C	
		MIN	TYP	MAX	MIN	MAX
MAX634__R	39	3.841	3.900	3.958	3.802	3.997
MAX634__R	40	3.940	4.000	4.060	3.900	4.100
MAX634__R	41	4.038	4.100	4.161	3.997	4.202
MAX634__R	42	4.137	4.200	4.263	4.095	4.305
MAX634__R	43	4.235	4.300	4.364	4.192	4.407
MAX634__R	44	4.314	4.380	4.446	4.270	4.489
MAX634__R	45	4.432	4.500	4.567	4.387	4.612
MAX634__R	46	4.560	4.630	4.699	4.514	4.746

‡Factory-trimmed reset thresholds are available in approximately 100mV increments with a 1.5% room-temperature variance.

Table 2. Device Marking Codes and Minimum Order Increments

PART	TOP MARK		ORDER INCREMENT (k)
	SOT23	SC70	
MAX6346 _R46-T	FZBI	ACO	2.5
MAX6346_R45-T	FZBH	–	10
MAX6346_R44-T	FZBG	ACK	2.5
MAX6346_R43-T	FZBF	–	10
MAX6346_R42-T	FZBE	–	10
MAX6346_R41-T	FZBD	–	10
MAX6346_R40-T	FZBC	–	10
MAX6346_R39-T	FZBB	–	10
MAX6346_R38-T	FZBA	–	10
MAX6346_R37-T	FZAZ	–	10
MAX6346_R36-T	FZAY	–	10
MAX6346_R35-T	FZAX	–	10
MAX6346_R34-T	FZAW	–	10
MAX6346_R33-T	FZAV	–	10
MAX6326 _R31-T	FDA A	ACE	2.5
MAX6326_R30-T	FEAA	–	10
MAX6326_R29-T	FCAA	ACP	2.5
MAX6326_R28-T	FBAA	–	10
MAX6326_R27-T	FAAA	–	10
MAX6326_R26-T	EZAA	ACI	2.5
MAX6326_R25-T	EYAA	–	10
MAX6326_R24-T	EXAA	–	10
MAX6326_R23-T	EWAA	ACH	2.5
MAX6326_R22-T	EHAA	AAH	2.5

PART	TOP MARK		ORDER INCREMENT (k)
	SOT23	SC70	
MAX6347 _R46-T	FZBW	ACF	2.5
MAX6347_R45-T	FZBV	–	10
MAX6347_R44-T	FZBU	ACL	2.5
MAX6347_R43-T	FZBT	–	10
MAX6347_R42-T	FZBS	–	10
MAX6347_R41-T	FZBR	–	10
MAX6347_R40-T	FZBQ	–	10
MAX6347_R39-T	FZBP	–	10
MAX6347_R38-T	FZBO	–	10
MAX6347_R37-T	FZBN	–	10
MAX6347_R36-T	FZBM	–	10
MAX6347_R35-T	FZBL	–	10
MAX6347_R34-T	FZBK	–	10
MAX6347_R33-T	FZBJ	–	10
MAX6327 _R31-T	FMAA	ACT	2.5
MAX6327_R30-T	FNAA	–	10
MAX6327_R29-T	FLAA	ACS	2.5
MAX6327_R28-T	FKAA	–	10
MAX6327_R27-T	FJAA	–	10
MAX6327_R26-T	FIAA	ACR	2.5
MAX6327_R25-T	FHAA	–	10
MAX6327_R24-T	FGAA	–	10
MAX6327_R23-T	FFAA	ACQ	2.5
MAX6327_R22-T	EIAA	AAI	2.5

MAX6326/MAX6327/MAX6328/MAX6346/MAX6347/MAX6348

3-Pin, Ultra-Low-Power SC70/SOT μ P Reset Circuits

Table 2. Device Marking Codes and Minimum Order Increments (continued)

PART	TOP MARK		ORDER INCREMENT (k)
	SOT23	SC70	
MAX6348_R46-T	FZCK	ACN	2.5
MAX6348_R45-T	FZCJ	-	10
MAX6348_R44-T	FZCI	ACM	2.5
MAX6348_R43-T	FZCH	-	10
MAX6348_R42-T	FZCG	-	10
MAX6348_R41-T	FZCF	-	10
MAX6348_R40-T	FZCE	-	10
MAX6348_R39-T	FZCD	-	10
MAX6348_R38-T	FZCC	-	10
MAX6348_R37-T	FZCB	-	10
MAX6348_R36-T	FZCA	-	10
MAX6348_R35-T	FZBZ	-	10

PART	TOP MARK		ORDER INCREMENT (k)
	SOT23	SC70	
MAX6348_R34-T	FZBY	-	10
MAX6348_R33-T	FZBX	-	10
MAX6328_R31-T	FVAA	ACW	2.5
MAX6328_R30-T	FWAA	-	10
MAX6328_R29-T	FUAA	ACV	2.5
MAX6328_R28-T	FTAA	-	10
MAX6328_R27-T	FSAA	-	10
MAX6328_R26-T	FRAA	ACJ	2.5
MAX6328_R25-T	FQAA	-	10
MAX6328_R24-T	FPAA	-	10
MAX6328_R23-T	FOAA	ACU	2.5
MAX6328_R22-T	EJAA	AAJ	2.5

Selector Guide (standard versions*)

PART	NOMINAL V _{TH} (V)
MAX634_R46-T	4.63
MAX634_R44-T	4.38
MAX632_R31-T	3.08
MAX632_R29-T	2.93
MAX632_R26-T	2.63
MAX632_R23-T	2.32
MAX632_R22-T	2.20

*Sample stock is generally held on all standard versions.

Chip Information

TRANSISTOR COUNT: 419

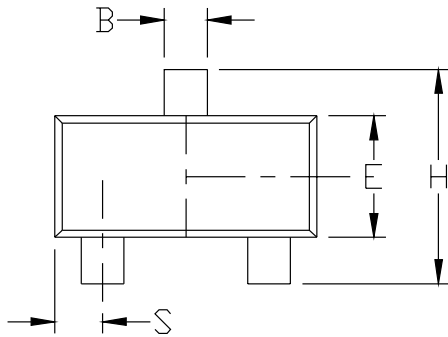
3-Pin, Ultra-Low-Power SC70/SOT μ P Reset Circuits

Package Information

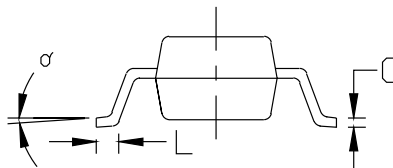
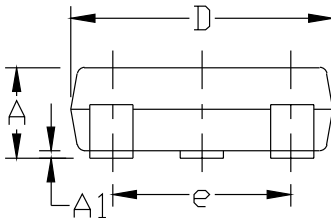
(The package drawing(s) in this data sheet may not reflect the most current specifications. For the latest package outline information, go to www.maxim-ic.com/packages.)

NOTES:

1. D&E DO NOT INCLUDE MOLD FLASH.
2. MOLD FLASH OR PROTRUSIONS NOT TO EXCEED .15mm (.006")
3. CONTROLLING DIMENSION: MILLIMETER



DIM	INCHES		MILLIMETERS	
	MIN	MAX	MIN	MAX
A	0.031	0.047	0.787	1.194
A1	0.001	0.005	0.025	0.127
B	0.014	0.022	0.356	0.559
C	0.0034	0.006	0.086	0.152
D	0.105	0.120	2.667	3.048
E	0.047	0.055	1.194	1.397
e	0.070	0.080	1.778	2.032
H	0.082	0.098	2.083	2.489
L	0.004	0.012	0.102	0.305
S	0.017	0.022	0.432	0.559
α	0°	8°	0°	8°



MAXIM			
<small>PROPRIETARY INFORMATION</small>			
<small>TITLE:</small> PACKAGE OUTLINE, SOT-23, 3L			
<small>APPROVAL</small>	<small>DOCUMENT CONTROL NO.</small> 21-0051	<small>REV</small> C	<small>1/1</small>

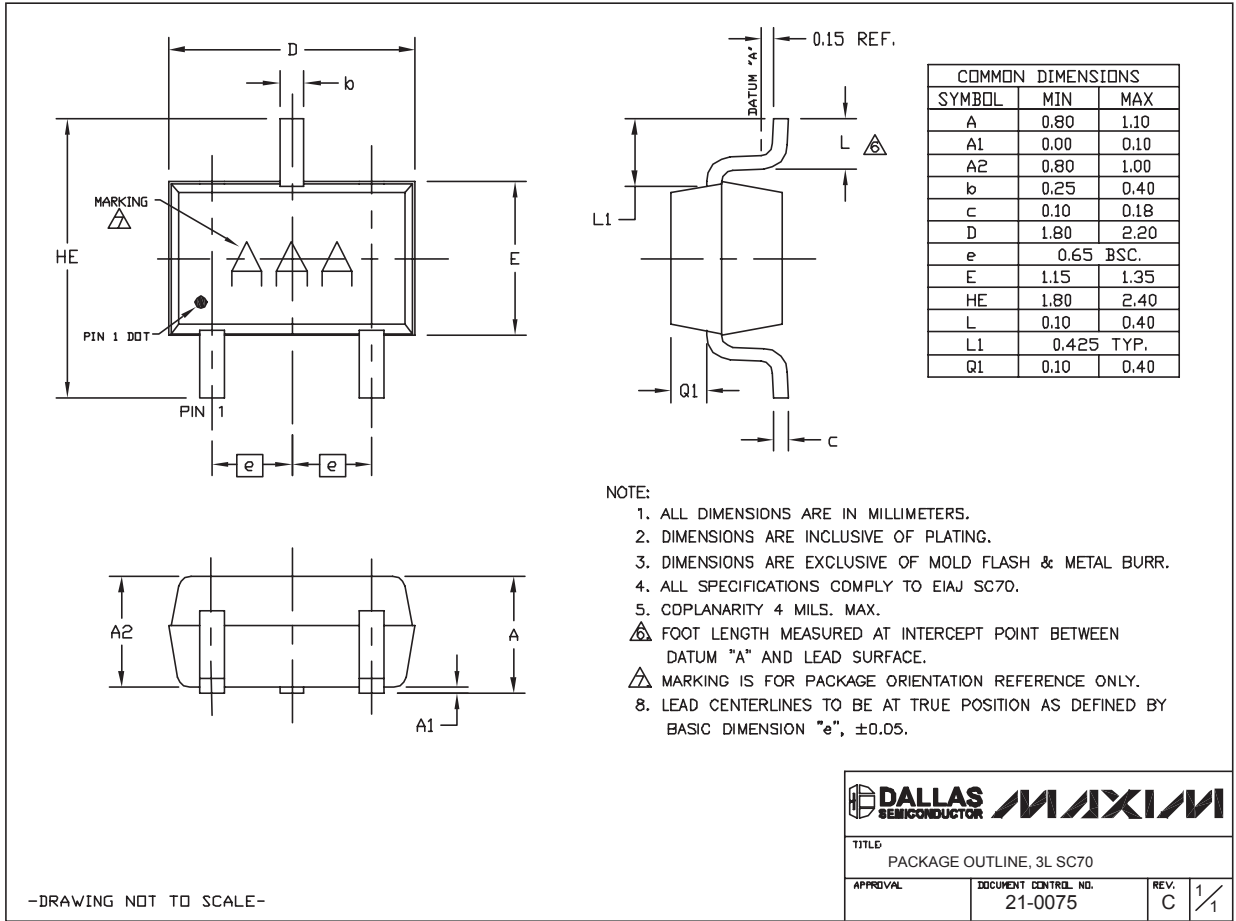
SOT23LEPS

MAX6326/MAX6327/MAX6328/MAX6346/MAX6347/MAX6348

3-Pin, Ultra-Low-Power SC70/SOT μ P Reset Circuits

Package Information (continued)

(The package drawing(s) in this data sheet may not reflect the most current specifications. For the latest package outline information, go to www.maxim-ic.com/packages.)



SC70, 3L EPS

Maxim cannot assume responsibility for use of any circuitry other than circuitry entirely embodied in a Maxim product. No circuit patent licenses are implied. Maxim reserves the right to change the circuitry and specifications without notice at any time.

8 Maxim Integrated Products, 120 San Gabriel Drive, Sunnyvale, CA 94086 408-737-7600