

## LM2645

# Advanced Two-Phase Switching Controller With Two Linear Outputs

### General Description

The LM2645 is a feature-rich IC that combines two current mode synchronous buck regulator controllers, an adjustable linear regulator controller and a fixed 3.3V standby output rail.

The two switching regulator controllers operate 180° out of phase. This feature reduces the input ripple RMS current, thereby significantly reducing the required input capacitance. The two switching regulator outputs can also be paralleled to operate as a dual-phase regulator.

The use of synchronous rectification and pulse-skip operation at light load achieves high efficiency over a wide load range. Fixed-frequency operation can be obtained by disabling the pulse-skip mode. The switching frequency of the LM2645 is user selectable between 200 kHz or 300 kHz.

The first switching controller (Channel 1) features a fixed 5V output, and the second switching controller controller (Channel 2) features a fixed 3.3V output. Both channels can also be independently adjusted from 1.3 to 5.5V. The adjustable linear regulator can be adjusted from 3.3V to 15V. An internal 5V rail is also available externally for driving bootstrap circuitry. This rail also serves as the input for an internal LDO that provides the fixed 3.3V/50mA output rail.

Current-mode feedback control assures excellent line and load regulation and a wide loop bandwidth for excellent response to fast load transients. Current is sensed across either the V<sub>ds</sub> of the top FET or across an external sense resistor connected in series with the drain of the top FET. Current limit is independently adjustable for each channel.

The analog soft-start for the switching controllers uses an innovative new approach. It is independent of the input voltage which makes the soft-start behavior more predictable and controllable.

Independent PGOOD signals monitor each of the switching regulator outputs. The switching outputs have under-voltage and over-voltage latch protection, while the output of the external linear regulator has undervoltage latch protection. The undervoltage latch can be disabled or adjustably delayed.

### Features

#### GENERAL

- 4.5V to 30V input range
- Power good function
- Input under-voltage lockout
- 10  $\mu$ A Shutdown/Recycle for entire chip
- Thermal shutdown
- TSSOP package

#### SWITCHING SECTION

- Two synchronous buck regulators for fixed 5V/3.3V or adjustable outputs
- Outputs adjustable from 1.3V to 5.5V
- 0.04% (typical) line and load regulation error
- Selectable switching frequency 200/300 kHz
- Two channels operating 180° out of phase
- Separate on/off for each channel
- Separate Power Good signals
- Current mode control with or without sense resistor
- Adjustable cycle-by-cycle current limit
- Skip-mode operation available
- Negative current limit
- Separate soft start for each channel
- Output UVP and OVP
- Programmable output UVP delay
- Self discharge of output capacitors when turned off

#### LINEAR SECTION

- Adjustable (3.3V to 15V) linear regulator with external PNP pass transistor
- $\pm$ 2% initial tolerance of set voltage
- Output UVP for adjustable linear regulator
- Fixed 3.3V/50mA output rail
- Fixed 5V reference rail

### Applications

- Notebook and sub-notebook computers
- Embedded computer systems
- Battery-powered instruments
- High end gaming systems
- Set-top boxes
- WebPAD

## Connection Diagram

### TOP VIEW

1	VO1	ILIM1	48
2	FB1_FIX	RSNS1	47
3	COMP1	KS1	46
4	LDODRV	SW1	45
5	NC	HDRV1	44
6	LDOFB	CBOOT1	43
7	FPWM/2NDFB	VDD1	42
8	TEST	LDRV1	41
9	NC	LDRV1	40
10	UV_DELAY	PGND1	39
11	SGND	VIN	38
12	SGND	VLIN5	37
13	PGOOD1	EXT	36
14	PGOOD2	OUT3	35
15	FSEL	PGND2	34
16	SD	LDRV2	33
17	ON1	LDRV2	32
18	ON2	VDD2	31
19	SS1	CBOOT2	30
20	NC	HDRV2	29
21	SS2	SW2	28
22	COMP2	KS2	27
23	FB2_FIX	RSNS2	26
24	VO2	ILIM2	25

20015901

#### 48-Lead TSSOP (MTD)

Order Number LM2645MTD

See NS Package Number MTD48

## Pin Descriptions

**VO1 (Pin 1):** The feedback input for Channel 1. Always connect directly to the output. Fixed or adjustable output voltage is selected by FB1\_FIX.

**FB1\_FIX (Pin 2):** The feedback input for setting the output voltage of Channel 1. Connecting this pin to VLIN5 sets the output voltage to 5V, or to the center of a voltage divider for an adjustable output.

**COMP1 (Pin 3):** Compensation pin for Channel 1. This is the output of the internal transconductance amplifier. The compensation network should be connected between this pin and the signal ground, SGND.

**LDODRV (Pin 4):** The output of the adjustable linear regulator controller. Connects to the base of a PNP Pass transistor. This pin is activated when Channel 1 is enabled.

**NC (Pins 5, 9, 20):** No internal connection. Connect these pins to ground.

**LDOFB (Pin 6):** Dual function input pin. When connected to the center of a resistor divider, it serves as the 1.238V feedback input for the LDODRV. Connecting this pin to VLIN5 disables the LDODRV.

**FPWM/2NDFB (Pin 7):** Multi-function input pin. When held HIGH (>2V), pulse-skipping mode is enabled for both switching regulators. When held LOW (<0.8V), both regulators will function in Fixed Frequency PWM mode. This pin can also be connected to the center of a resistor divider for feedback regulation of a secondary winding voltage. In this case, Ch 1 will operate in pulse-skipping mode when the output is lightly loaded. If the linear regulator controller output is heavily loaded, the operating frequency in pulse-skipping will be increased accordingly to maintain the volt-

age at this pin to 1.5V or higher. Thus, the secondary winding voltage will always have the necessary overhead voltage for the linear regulator to maintain regulation.

**TEST (Pin 8):** Special purpose input pin for factory use only. This pin must be connected to ground.

**UV\_DELAY (Pin 10):** : A capacitor from this pin to ground adjusts the delay of the undervoltage protection for the two switching outputs and the linear regulated output controlled by the LDODRV. The delay time is set by charging a capacitor to 2.3V from a 5µA current source. Pulling this pin to ground disables undervoltage protection on these outputs.

**SGND (Pin 11,12):** Ground connection for the signal level circuitry. It should be connected to the ground rail of the system.

**PGOOD1 (Pin 13):** An open-drain power-good output for Channel 1. It is 'LOW' (low impedance to ground) whenever the output voltage travels out of the ±10% window. It stays latched in a 'LOW' state if the output travels beyond the positive limit that trips the over-voltage protection.

**PGOOD2 (Pin 14):** An open drain power good output for Channel 2. It serves the same function as the PGOOD1.

**FSEL (Pin 15):** Selects the Switching Frequency of the two switching controllers. The frequency is 300kHz when this pin is pulled HIGH (>2V), or 200kHz when this pin is pulled LOW (<0.8V).

**SD (Pin 16):** Shutdown control input. Pulling this pin LOW (<0.6V) turns OFF the entire chip which then draws less than 10 µA of supply current. The chip is ON if this pin is held HIGH (>2V). Toggling this pin from HIGH to LOW and then HIGH again resets the chip causing it to recover from any protection latch.

**ON1 (Pin 17):** Output enable for Channel 1 and LDODRV (Pin 4). Channel 1 and LDODRV are disabled when this pin is pulled LOW (<0.8V), and are enabled when this pin is pulled HIGH (>2V).

**ON2 (Pin 18):** Output enable for Channel 2. Channel 2 is enabled when this pin is pulled high (> 2V) and disabled when this is pulled low (<0.8V).

**SS1 (Pin 19):** Soft-start input pin for Channel 1. The rise time of the output voltage of Channel 1 is programmed by the charge rate of a capacitor connected from this pin to ground by an internal 2 µA current source. If the output does not reach regulation (to within –6% of nominal voltage) by the time this pin exceeds 2V (typical), the UV\_DELAY pin begins charging the capacitor connected from it to ground. If the output is not within regulation after the UVP delay, the chip latches off.

**SS2 (Pin 21):** Soft-start input pin for Channel 2. Serves the same function as the SS1, Pin 19.

**COMP2 (Pin 22):** Compensation pin for Channel 2. This is the output of the internal transconductance amplifier. The compensation network should be connected between this pin and the signal ground SGND (Pins 11, 12).

**FB2\_FIX (Pin 23):** The feedback input for setting the output voltage of Channel 2. Connecting this pin to VLIN5 sets the output voltage to 3.3V, or to the center of a voltage divider for an adjustable output.

**VO2 (Pin 24):** The feedback input for Channel 2. Always connect directly to the output. Fixed or adjustable output voltage is selected by FB2\_FIX.

**ILIM2 (Pin 25):** Current limit threshold setting for Channel 2. It sinks a constant current of 10 µA that is converted to a voltage through a resistor connected from this pin to Vin. The voltage across this resistor is compared with either the Vds

## Pin Descriptions (Continued)

of the top MOSFET or the voltage across an external current sense resistor to determine if an over-current condition has occurred in Channel 2.

**RSNS2 (Pin 26):** The negative (–) Kelvin sense for the internal current limit comparator of Channel 2. Always use a separate trace to connect this pin to the current sense point. Connect this pin to the low side of the current sense resistor that is placed between  $V_{IN}$  and the drain of the top MOSFET. When the  $V_{ds}$  of the top MOSFET is used for current sensing, then connect this pin to the source of the top MOSFET.

**KS2 (Pin 27):** The positive (+) Kelvin sense for the internal current limit comparator of Channel 2. Use a separate trace to connect this pin to the current sense point. Connect to  $V_{in}$  as close to the node of the current sense resistor; when no current-sense resistor is used, connect it as close to the Drain node of the upper MOSFET.

**SW2 (Pin 28):** : Switch-node connection for Channel 2, which is connected to the source of the top MOSFET. It serves as the negative supply rail for the topside gate driver, HDRV2.

**HDRV2 (Pin 29):** Top-side gate-drive output for Channel 2. A floating drive output that rides on the switching-node voltage.

**CBOOT2 (Pin 30):** Bootstrap capacitor connection. It serves as the positive supply rail for the Channel 2 top-side gate drive.

**VDD2 (Pin 31):** The supply rail for the Channel 2 low-side gate drive, usually ties together with VDD1. Connect to VLIN5 through a  $4.7\Omega$  resistor and bypassed to ground with a ceramic capacitor of at least  $1\mu F$ .

**LDRV2 (Pins 32, 33):** Low-side gate-drive output for Channel 2. Tie these two pins together.

**PGND2 (Pin 34):** Power ground for Channel 2.

**OUT3 (Pin 35):** The fixed 3.3V linear regulated output. Derived from VLIN5 by an internal LDO, it is current limited at 100mA. The continuous output current is a function of the ambient operating temperature and the total power dissipa-

tion in the chip and must be derated accordingly. See (Note 2) in Electrical Characteristics section.

**EXT (Pin 36):** External power input to an internal switch. This pin is usually connected to the fixed 5V output of Channel 1. When the voltage on this pin is higher than 4.7V, the internal 5V LDO that provides VLIN5 from  $V_{IN}$  is disabled, and an internal switch connects VLIN5 to this pin to minimize dissipation in the chip. Connect this pin to ground and VLIN5 to  $V_{IN}$  if  $V_{IN}$  is operating in 4.5V to 5.5V range.

**VLIN5 (Pin 37):** This pin is the output of an internal 5V LDO regulator derived from  $V_{IN}$  when no external 5V supply is available. It supplies the internal bias for the chip, supplies the bootstrap circuitry for gate drive and serves as the input supply of an internal LDO to generate OUT3. Bypass this pin to power ground with a minimum of  $4.7\mu F$  ceramic capacitor. Connect this pin to the  $V_{IN}$  pin when  $V_{in}$  is operating in 4.5V to 5.5V range.

**VIN (Pin 38):** The input power of the chip. Connects to the upper (+) input rail of the system.

**PGND1 (Pin 39):** Power ground for Channel 1.

**LDRV1 (Pins 40, 41):** Low-side gate-drive output for Channel 1. Tie these two pins together.

**VDD1 (Pin 42):** The supply rail for the low-side gate drive of Channel 1. Same function as VDD2 (Pin 31).

**CBOOT1 (Pin 43):** Bootstrap capacitor connection. It serves as the positive supply rail for the Channel 1 top-side gate drive.

**HDRV1 (Pin 44):** Top-side gate-drive output for Channel 1. See HDRV2 (Pin 29).

**SW1 (Pin 45):** Switch-node connection for Channel 1, See SW2 (Pin 28).

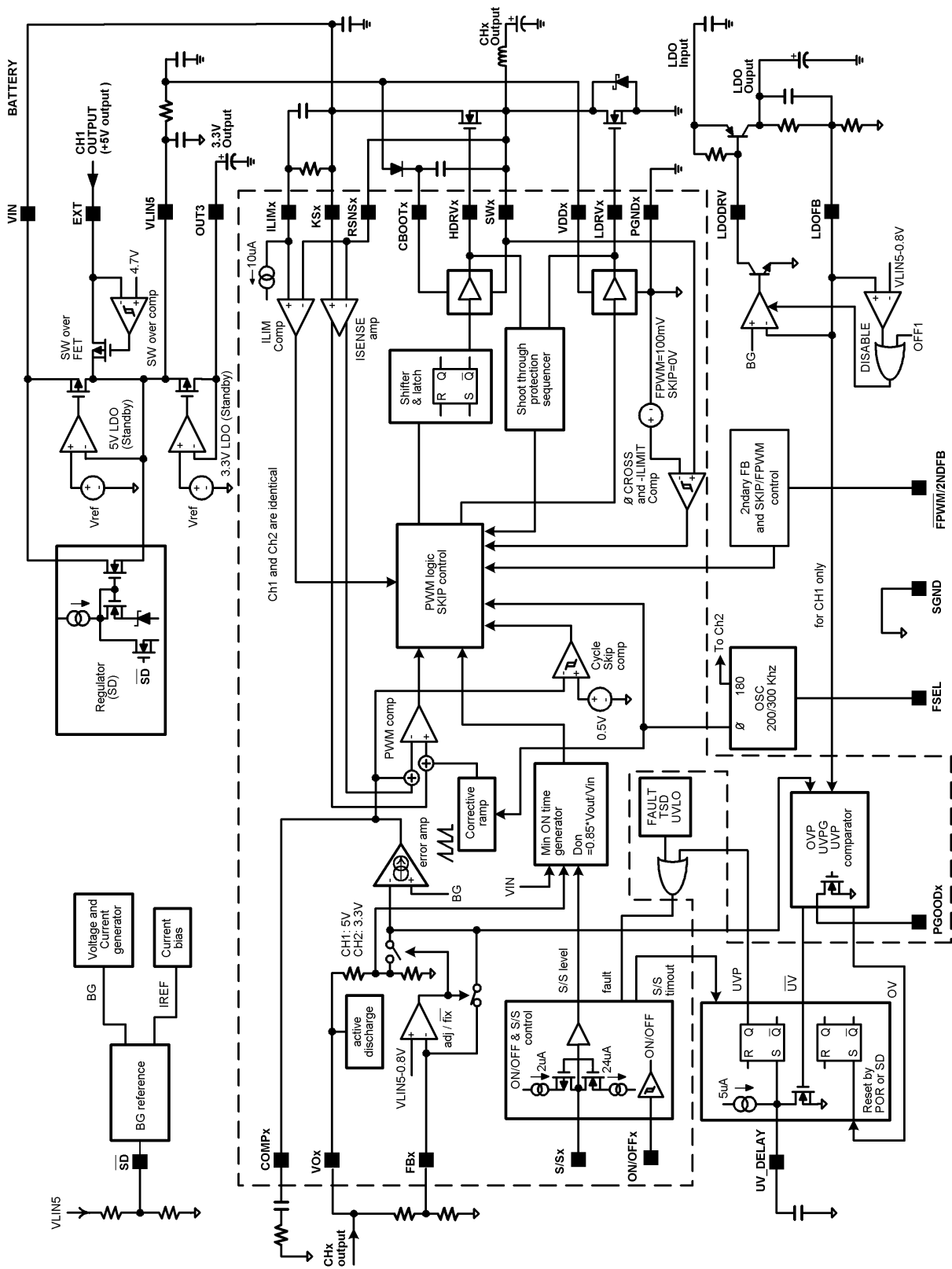
**KS1 (Pin 46):** The upper (+) Kelvin sense for the internal current limit comparator of Channel 1 (see KS2, Pin 27).

**RSNS1 (Pin 47):** The lower (–) Kelvin sense for the internal current limit comparator of Channel 1 (see RSNS2, Pin 26).

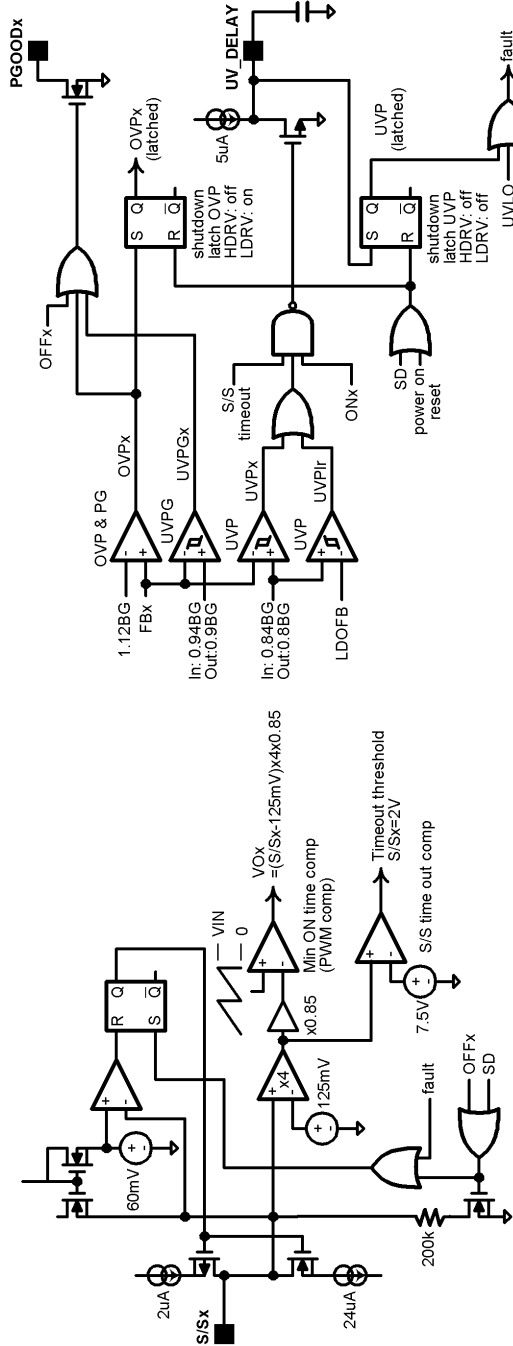
**ILIM1 (Pin 48):** Current limit threshold setting for Channel 1 (see ILIM2, Pin 25).



# Simplified Block Diagram

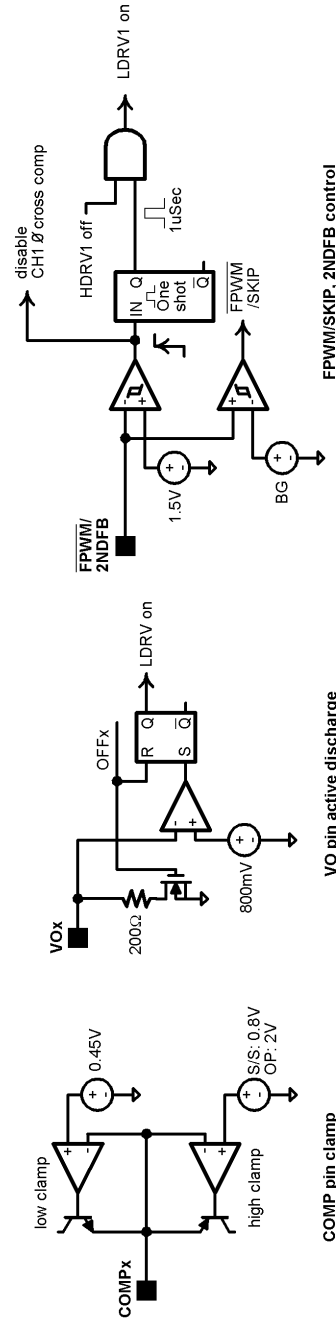


# Simplified Block Diagram (Continued)



S/S pin Soft Start

PGOOD, OVP and UVP Protection



COMP pin clamp

VO pin active discharge and VO detector

FPWM/SKIP, 2NDFB control

20015803

TABLE 1. Shut Down Latch Truth Table

Input												Output
ovp1	ovp2	uvp1	uvp2	uvp4	oc3	ch1 on	ch2 on	fault	ssto1	ssto2	uv_delay	latch off
1						1		0				1
	1						1	0				1
		1				1		0	1		cap	1
			1				1	0		1	cap	1
				1		1		0	1		cap	1
0	0	0	0	0	1			0	0	0	cap	0
All other combinations												0

**Notes:**

- "fault" is the logic OR of UVLO and thermal shutdown.
- "cap" means the pin has a capacitor of appropriate value between it and ground.
- Positive logic is used.
- ssto1, ssto2 means soft start timeout for Ch 1 and Ch 2 respectively.
- A blank value means "don't care".
- "oc3" means OUT3 output current over 100mA current.
- "uvp4" means UVP of the linear regulated output controlled by LDODRV.
- $\overline{SD}$  pin is pulled high.

TABLE 2. Power Good Truth Table

Input										Output	
ovp1	ovp2	uvpg1	uvpg2	uvpg4	ch1 on	ch2 on	fault	latch off	$\overline{SD}$	PGOOD1	PGOOD2
1					1			1	1	0	0
	1					1		1	1	0	0
		1			1				1	0	
			1			1			1		0
0		0		1	1		0	0	1	1	
					0				1	0	
						0			1		0
0		0			1		0	0	1	1	
	0		0			1	0	0	1		1
							1		1	0	0
								1	1	0	0
									0	0	0

**Notes:**

- Positive logic is used.
- A blank value means "don't care".
- The symbol uvpg1, 2, 4 means the power good undervoltage threshold of the corresponding channel.

## Absolute Maximum Ratings (Note 1)

If Military/Aerospace specified devices are required, please contact the National Semiconductor Sales Office/Distributors for availability and specifications.

Voltages from the indicated pins to SGND/PGND:

VIN, ILIM1, ILIM2, KS1, KS2, LDODRV	-0.3V to 31V
SW1, SW2, RSNS1, RSNS2	-0.3 to (VIN + 0.3)V
VO1, VO2, FB1_FIX, FB2_FIX, VDD1, VDD2, EXT	-0.3V to 6V
$\overline{SD}$ , ON1, SS1, ON2, SS2, LDOFB, FSEL, UV_DELAY, PGOOD1, OUT3, PGOOD2, COMP1, COMP2, FPWM/2NDFB	-0.3V to (VLIN5 + 0.3)V
CBOOT1 to SW1, CBOOT2 to SW2	-0.3V to 7V
LDRV1, LDRV2	-0.3V to (VDD+0.3)V
HDRV1 to SW1, HDRV2 to SW2	-0.3V
HDRV1 to CBOOT1, HDRV2 to CBOOT2	+0.3V

Power Dissipation ( $T_A = 25^\circ\text{C}$ , (Note 2)	1.56W
Junction Temperature ( $T_J$ ) (Note 2)	+150°C
Ambient Storage Temperature Range	-65°C to +150°C
Soldering Dwell Time, Temperature (Note 3)	
Wave	4 sec, 260°C
Infrared	10sec, 240°C
Vapor Phase	75sec, 219°C
ESD Rating (Note 4)	2kV

## Operating Ratings (Note 1)

VIN (VIN and VLIN5 separate)	5.5V to 30V
VIN (VLIN5 tied to VIN)	4.5V to 5.5V
Junction Temperature	0°C to +125°C
EXT	5.5V max.

## Electrical Characteristics

Unless otherwise specified,  $V_{IN} = 15\text{V}$ ,  $SGND = PGND = 0\text{V}$ ,  $VLIN5 = VDD1 = VDD2$ . Limits appearing in **boldface** type apply over the entire operating junction temperature range, 0°C to +125°C. Specifications appearing in plain type are measured using low duty cycle pulse testing with  $T_A = 25^\circ\text{C}$  (Note 5), (Note 6). Min/Max limits are guaranteed by design, test, or statistical analysis.

Symbol	Parameter	Conditions	Min	Typ	Max	Units
<b>SYSTEM</b>						
$\Delta V_{OUT}/V_{OUT}$	Load Regulation	$V_{IN} = 15\text{V}$ , $V_{compX} = 0.5\text{V to } 1.5\text{V}$		0.04		%
$\Delta V_{OUT}/V_{OUT}$	Line Regulation	$5.5\text{V} \leq V_{IN} \leq 30\text{V}$ , $V_{compX} = 1.25\text{V}$		0.04		%
$V_{FBX\_FIX}$	Feedback Voltage in Adjustable Mode	$5.5\text{V} \leq V_{IN} \leq 30\text{V}$	<b>1.217</b>	1.238	<b>1.259</b>	V
$V_{OUT}$	$V_{OUTX}$ accuracy at fixed output mode	$5.5\text{V} \leq V_{IN} \leq 30\text{V}$ , $V_{OUT1} = 5\text{V}$ , $V_{OUT2} = 3.3\text{V}$	<b>-2.4</b>		<b>+2.4</b>	%
$I_{VIN}$	Input Supply Current	ON1 = ON2 = 5V and $5.5\text{V} \leq V_{IN} \leq 30\text{V}$		1.5	<b>2.8</b>	mA
		ON1 = ON2 = 5V and $4.5\text{V} \leq V_{IN} = VLIN5 \leq 5.5\text{V}$		1.3	<b>2.8</b>	mA
		Standby (Note 7) ON1 = ON2 = 0V, $V_{\overline{SD}} = 5\text{V}$		50	<b>120</b>	$\mu\text{A}$
		Shutdown $V_{\overline{SD}} = 0\text{V}$		5	<b>30</b>	$\mu\text{A}$
VLIN5	VLIN5 Output Voltage (Note 8)	$I_{VLIN5} = 0$ to 25mA, $EXT = 0\text{V}$ , $5.5\text{V} \leq V_{IN} \leq 30\text{V}$ , $\overline{SD} = 5\text{V}$	<b>4.65</b>	5	<b>5.35</b>	V
$V_{CLos}$	Current Limit Comparator Offset (VILIMX - VRSNSX)	$V_{KS1} - V_{ILIM1} = V_{KS2} - V_{ILIM2} = 140\text{mV}$		$\pm 2$		mV
$I_{CL}$	Current Limit Sink Current		<b>8</b>	10	<b>12</b>	$\mu\text{A}$
$I_{ss\_SC}$	Soft-Start Source Current	$V_{ss1} = V_{ss2} = 1\text{V}$	<b>0.5</b>	2	<b>3.5</b>	$\mu\text{A}$
$I_{ss\_SK}$	Soft-Start Sink Current	$V_{ss1} = V_{ss2} = 1\text{V}$		24		$\mu\text{A}$
$V_{ssto}$	Soft-Start Timeout Threshold	(Note 9)		2		V



## Electrical Characteristics (Continued)

Unless otherwise specified,  $V_{IN} = 15V$ ,  $SGND = PGND = 0V$ ,  $V_{LIN5} = VDD1 = VDD2$ . Limits appearing in **boldface** type apply over the entire operating junction temperature range,  $0^{\circ}C$  to  $+125^{\circ}C$ . Specifications appearing in plain type are measured using low duty cycle pulse testing with  $T_A = 25^{\circ}C$  (Note 5), (Note 6). Min/Max limits are guaranteed by design, test, or statistical analysis.

Symbol	Parameter	Conditions	Min	Typ	Max	Units
<b>SYSTEM</b>						
$V_{UVP}$	FB1_FIX, FB2_FIX, LDOFB Undervoltage Protection Latch Threshold	As a Percentage of nominal output voltage (Falling edge)	<b>73</b>	80	<b>90</b>	%
	Hysteresis			4		%
$V_{UV\_DELAY}$	UV_DELAY Threshold Voltage	(Note 10)		2.3		V
$I_{UV\_DELAY}$	UV_DELAY source current	$V_{UV\_DELAY} = 2V$		5		$\mu A$
$V_{OVP}$	$V_{OUTx}$ Overvoltage Protection Latch Threshold	As a percentage measured at FB1_FIX, FB2_FIX	<b>106</b>	110	<b>119</b>	%
$TH_{LREG}$	$V_{OUTx}$ Low Regulation Comparator Enable Threshold for channels 1 and 2	Falling Edge		95		%
$HYS_{LREG}$	Hysteresis of Low Regulation Comparator	As a Percentage of output voltage		3		%
$V_{pwrbad}$	Regulator Window Detector Thresholds (PGOOD from High to Low) (Note 11)	As a Percentage of output voltage	<b>86</b>	91	<b>94</b>	%
$V_{pwrgd}$	Regulator Window Detector Thresholds (PGOOD from Low to High)	As a Percentage of output voltage	<b>92.5</b>	94	<b>96.5</b>	%
$TH_{VOX\_DIS}$	VO1, VO2 Quick Discharge Threshold	(Note 12)		0.8		V
$V_{ox\_R}$	VO1, VO2 ON-Resistance	$VO1 = VO2 = 2V$		200		$\Omega$
<b>Gate Drive</b>						
$I_{CBOOT}$	CBOOT Leakage Current	$V_{CBOOT1} = V_{CBOOT2} = 7V$		100		nA
$I_{SC\_DRV}$	HDRVx and LDRVx Source Current	$V_{CBOOT1} = V_{CBOOT2} = 5V$ , $V_{SWx}=0V$ , $HDRVx=LDRVx=2.5V$		0.8		A
$I_{sk\_HDRV}$	HDRVx Sink Current	$V_{CBOOTx} = VDDx = 5V$ , $V_{SWx} = 0V$ , $HDRVx = 2.5V$		1.3		A
$I_{sk\_LDRV}$	LDRVx Sink Current	$V_{CBOOTx} = VDDx = 5V$ , $V_{SWx} = 0V$ , $LDRVx = 2.5V$		2.5		A
$R_{HDRV}$	HDRV1 & 2 Source On-Resistance	$V_{CBOOT1} = V_{CBOOT2} = 5V$ , $V_{SW1} = V_{SW2} = 0V$		2.2		$\Omega$
	HDRV1 & 2 Sink On-Resistance			1.1		$\Omega$
$R_{LDRV}$	LDRV1 & 2 Source On-Resistance	$V_{CBOOT1} = V_{CBOOT2} = 5V$ , $V_{SW1} = V_{SW2} = 0V$		2.2		$\Omega$
	LDRV1 & 2 Sink On-Resistance			0.65		$\Omega$

## Electrical Characteristics (Continued)

Unless otherwise specified,  $V_{IN} = 15V$ ,  $SGND = PGND = 0V$ ,  $VLIN5 = VDD1 = VDD2$ . Limits appearing in **boldface** type apply over the entire operating junction temperature range,  $0^{\circ}C$  to  $+125^{\circ}C$ . Specifications appearing in plain type are measured using low duty cycle pulse testing with  $T_A = 25^{\circ}C$  (Note 5), (Note 6). Min/Max limits are guaranteed by design, test, or statistical analysis.

Symbol	Parameter	Conditions	Min	Typ	Max	Units
<b>SYSTEM</b>						
<b>Oscillator</b>						
$F_{osc}$	Oscillator Frequency	$F_{SEL} = 5V$	<b>265</b>	300	<b>335</b>	kHz
		$F_{SEL} = 0V$	<b>174</b>	200	<b>226</b>	kHz
Don_max	Maximum On-Duty Cycle	$V_{FB1} = V_{FB2} = 1V$ , Measured at pins HDRV1 and HDRV2	<b>96</b>	98		%
$T_{on\_min}$	Minimum On-Time			150		ns
<b>Error Amplifier</b>						
$I_{FB1}, I_{FB2}$	Feedback Input Bias Current	$V_{FB1\_FIX} = 1.5V, V_{FB2\_FIX} = 1.5V$		90	<b>250</b>	nA
$I_{comp1\_SC}, I_{comp2\_SC}$	COMP Output Source Current	$V_{FB1\_FIX} = V_{FB2\_FIX} = 1V, V_{COMP1} = V_{COMP2} = 1V$	<b>27</b>	104		$\mu A$
$I_{comp1\_SK}, I_{comp2\_SK}$	COMP Output Sink Current	$V_{FB1\_FIX} = V_{FB2\_FIX} = 1.5V$ and $V_{COMP1} = V_{COMP2} = 0.5V$	<b>27</b>	99		$\mu A$
<b>Voltage References and Linear Voltage Regulators</b>						
UVLO	VLIN5 Under-voltage Lockout Threshold (Rising)	SS1, SS2 transition from low to high	<b>3.6</b>	4.0	<b>4.4</b>	V
R_EXT	EXT pin ON-Resistance	$V_{EXT} = 5V, I_{VLIN5} = 25mA$		3		$\Omega$
EXT_TH	VLIN5-to-EXT Switch Over Threshold	Rising edge of $V_{EXT}$		4.7		V
$V_{OUT3}$	3.3V Linear Regulator Output Voltage	$0mA < I_{OUT3} < 50mA, 5.5V \leq V_{IN} \leq 30V, V_{EXT} = -5V$	<b>3.306</b>	3.3	<b>3.564</b>	V
$I_{OUT3}$	3.3V Linear regulator Current limit threshold	ON1 = HIGH, EXT = 5V			100	mA
$I_{LDODRV}$	LDODRV pin Sink Current	$V_{LDODRV} = 11V, V_{LDOFB} = 1.1V$	<b>4.0</b>	6		mA
$V_{LDOFB}$	LDODRV Feedback Voltage	$3.5V \leq V_{LDODRV} \leq 12V$	<b>1.215</b>	1.240	<b>1.265</b>	V
	Accuracy with Load	$3.5V \leq LDO$ power supply voltage $\leq 15V, I_{LDODRV} = 500\mu A$		1.236		V
$I_{LDOFB}$	LDOFB Leakage Current (Sourcing)	$V_{LDOFB} = 1.4V$		50	<b>100</b>	nA
$V_{2NDFB}$	Secondary winding voltage feedback detect threshold	Falling Edge	<b>1.3</b>	1.5	<b>1.7</b>	V
<b>Logic Inputs</b>						
$V_{IH}$	Minimum High Level Input Voltage ( $\overline{SD}$ , $\overline{FPWM}/2NDFB$ , ON1, ON2, $F_{SEL}$ )		<b>2.0</b>			V
$V_{IL}$	Maximum Low Level Input Voltage for $\overline{FPWM}/2NDFB$ , ON1 ON2, $F_{SEL}$ )				<b>0.8</b>	V
	$\overline{SD}$				<b>0.6</b>	V

## Electrical Characteristics (Continued)

Unless otherwise specified,  $V_{IN} = 15V$ ,  $SGND = PGND = 0V$ ,  $VLIN5 = VDD1 = VDD2$ . Limits appearing in **boldface** type apply over the entire operating junction temperature range,  $0^{\circ}C$  to  $+125^{\circ}C$ . Specifications appearing in plain type are measured using low duty cycle pulse testing with  $T_A = 25^{\circ}C$  (Note 5), (Note 6). Min/Max limits are guaranteed by design, test, or statistical analysis.

Symbol	Parameter	Conditions	Min	Typ	Max	Units
<b>SYSTEM</b>						
$I_{IL}$	Maximum Input Leakage Current ( $\overline{SD}$ , $\overline{FPWM}/2NDFB$ , ON1, ON2, FSEL).	Logic Input Voltage 0 or 5V		$\pm 0.1$		$\mu A$
<b>Logic Outputs</b>						
$I_{OL}$	PGOOD Low Sink Current	$V_{PGOOD} = 0.4V$		1.4		mA
$I_{OH}$	PGOOD High Leakage Current	$V_{PGOOD} = 5V$		50	<b>200</b>	nA

**Note 1:** Absolute maximum ratings indicate limits beyond which damage to the device may occur. Operating Ratings are conditions under which operation of the device is guaranteed. For guaranteed performance limits and associated test conditions, see the Electrical Characteristic tables.

**Note 2:** Maximum allowable power dissipation is calculated by using  $P_{DMAX} = (T_{JMAX} - T_A)/\theta_{JA}$ , where  $T_{JMAX}$  is the maximum junction temperature,  $T_A$  is the ambient temperature and  $\theta_{JA}$  is the junction-to-ambient thermal resistance of the specified package. The 1.56W rating results from using  $150^{\circ}C$ ,  $25^{\circ}C$ , and  $80^{\circ}C/W$  for  $T_{JMAX}$ ,  $T_A$ , and  $\theta_{JA}$  respectively. A  $\theta_{JA}$  of  $90^{\circ}C/W$  represents the worst-case condition of no heat sinking of the 48-pin TSSOP. Heat sinking allows the safe dissipation of more power. The Absolute Maximum power dissipation should be derated by 12.5mW per  $^{\circ}C$  above  $25^{\circ}C$  ambient. The LM2645 actively limits its junction temperature to about  $150^{\circ}C$ .

**Note 3:** For detailed information on soldering plastic small-outline packages, refer to the Packaging Databook available from National Semiconductor Corporation.

**Note 4:** Except for SW1, SW2, CBOOT1 and CBOOT2 pins which are 1.5kV. For testing purposes, ESD was applied using the human-body model, a 100pF capacitor discharged through a 1.5k $\Omega$  resistor.

**Note 5:** A typical is the center of characterization data measured with low duty cycle pulse testing at  $T_A = 25^{\circ}C$ . Typical values are not guaranteed.

**Note 6:** All limits are guaranteed. All electrical characteristics having room-temperature limits are tested during production with  $T_A = T_J = 25^{\circ}C$ . All hot and cold limits are guaranteed by correlating the electrical characteristics to process and temperature variations and applying statistical process control.

**Note 7:** Both switching controllers are OFF. The linear regulators VLIN5 and 3OUT remain ON.

**Note 8:** The output voltage at the VLIN5 pin may be as high as 6.5V in shutdown mode ( $\overline{SD} \leq 0.6V$ ).

**Note 9:** When SS1, SS2 pins are charged above this voltage and either of the output voltage at  $V_{OUT1}$  or  $V_{OUT2}$  is still below the regulation limit, the under voltage protection feature is initialized.

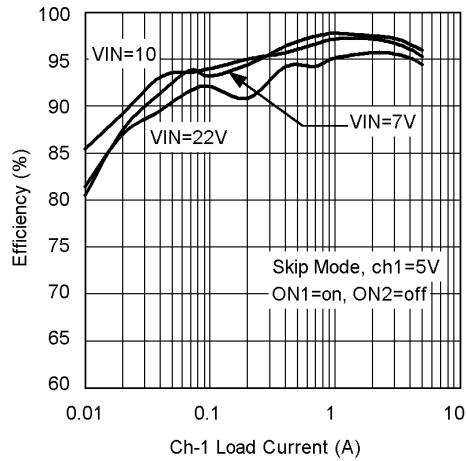
**Note 10:** Above this voltage, the under voltage protection is enabled.

**Note 11:** For each device, there is a 10% (typical) gap of the measured output voltage between the PGOOD signal transitions from high to low and the under voltage protection is activated. The under voltage protection will not be activated while the PGOOD signal is in the logic HIGH state.

**Note 12:** During normal shutdown or UVP, LDRV1 or LDRV2 pin goes high when VO1, VO2 detects an output voltage below this level.

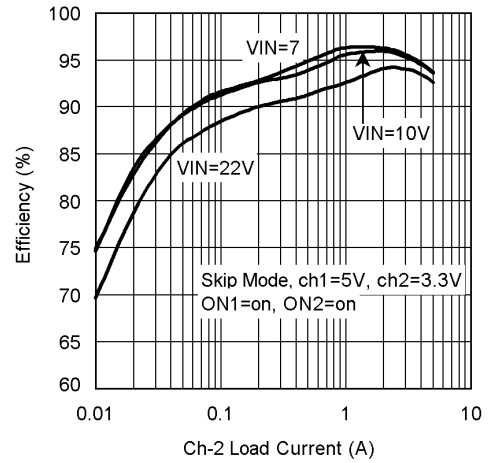
# Typical Performance Characteristics

**Efficiency vs Load Current**  
(FPWM/2NDFB = VLIN5)



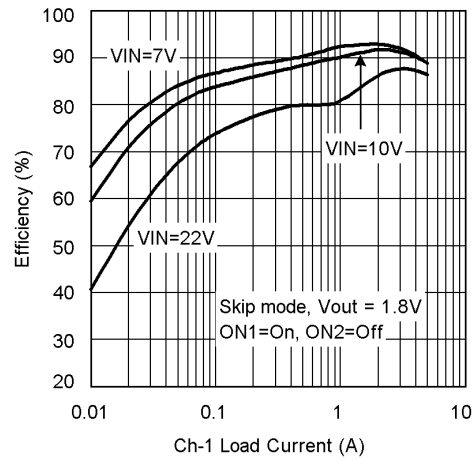
20015906

**Efficiency vs Load Current**  
(FPWM/2NDFB = VLIN5)



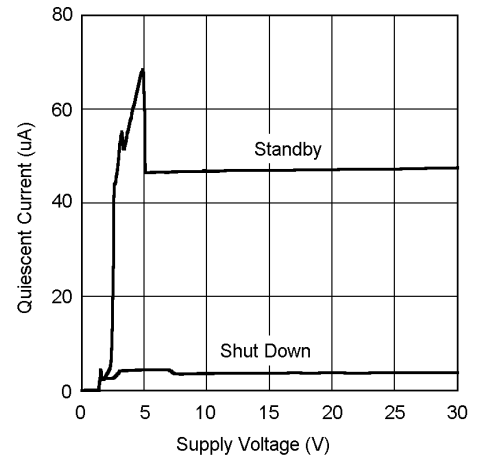
20015907

**Efficiency vs Load Current**  
(FPWM/2NDFB = VLIN5)



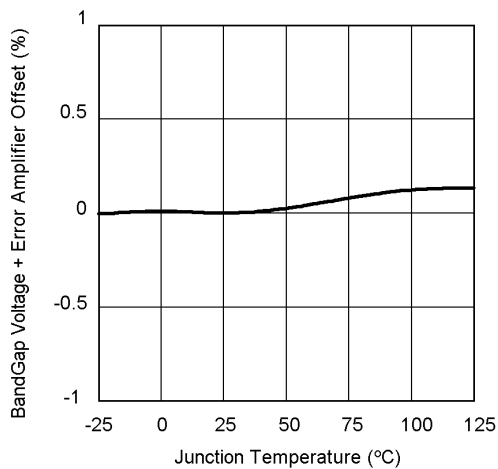
20015908

**Quiescent Current vs Supply Voltage**



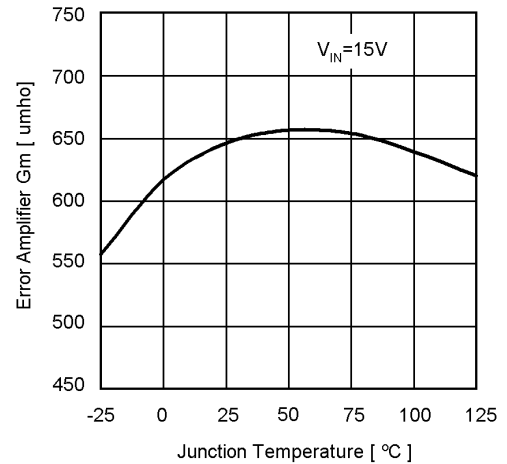
20015912

**Reference Voltage vs Temperature**  
(Bandgap + Error Amplifier Offset)



20015910

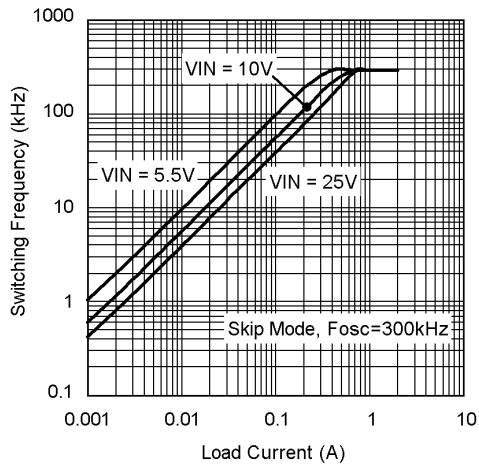
**Error Amplifier Gm vs Temperature**  
(VIN = 15V)



20015911

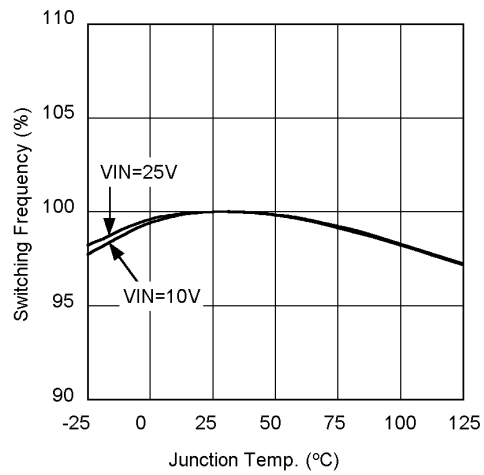
# Typical Performance Characteristics (Continued)

**Switching Frequency vs Load Current**  
(FPWM/2NDFB = VLIN5)



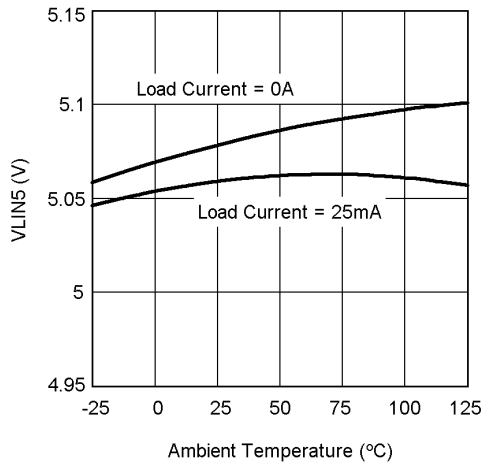
20015909

**Normalized Switching Frequency vs Temperature**  
(Fosc = 300 kHz)



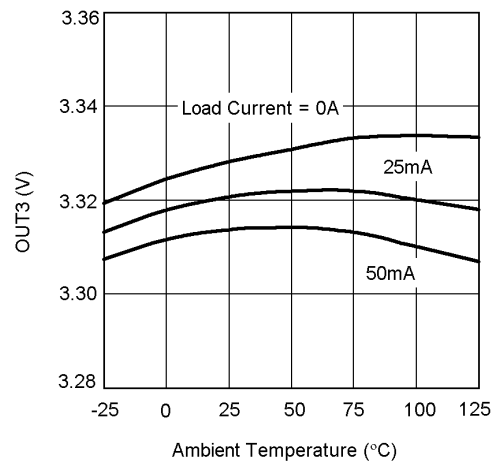
20015913

**VLIN5 Output vs Temperature**



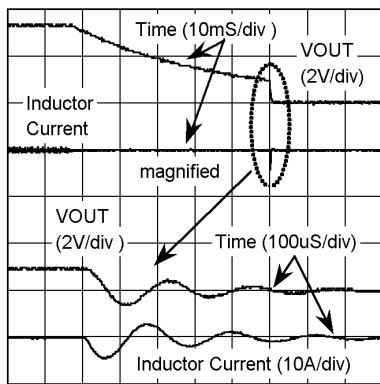
20015914

**OUT3 vs Temperature**  
(VIN = 15V, EXT = Vo1 = 5V, ON1 = On, ON2 = Off)



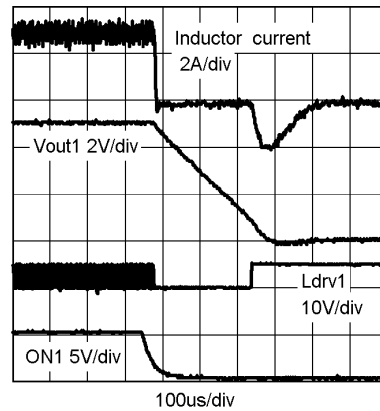
20015915

**Shutdown Waveforms**  
(VOUT = 3.3V, IOUT = 0A)



20015916

**Shutdown Waveforms**  
(VOUT = 5V, IOUT = 3A)

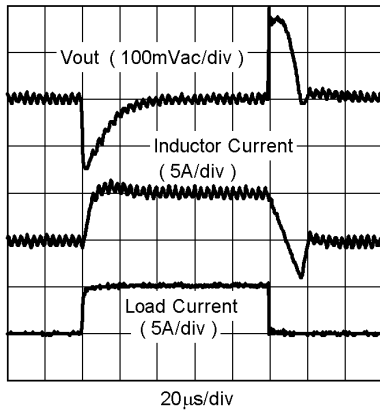


20015917

# Typical Performance Characteristics (Continued)

## Load Transient Response

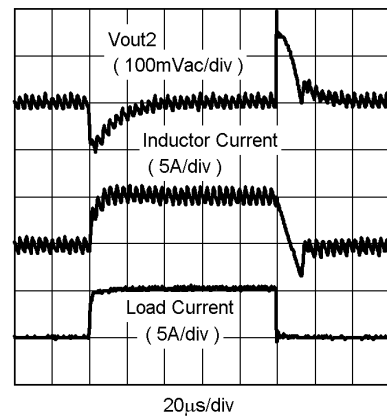
( $V_{IN} = 10V$ ,  $V_{OUT} = 3.3V$ ,  $L = 6.0 \mu H$ ,  $C_{OUT} = 180\mu F/15m\Omega$ )



20015918

## Load Transient Response

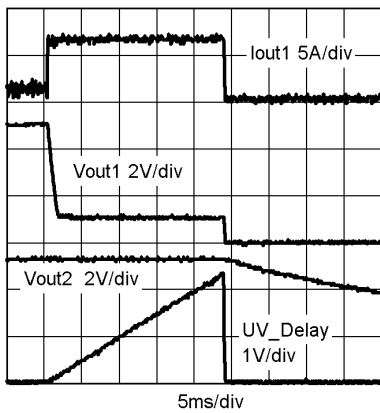
( $V_{IN} = 10V$ ,  $V_{OUT} = 1.8V$ ,  $L = 3.1 \mu H$ ,  $C_{OUT} = 270\mu F/15m\Omega$ )



20015919

## Overcurrent and Undervoltage Protection

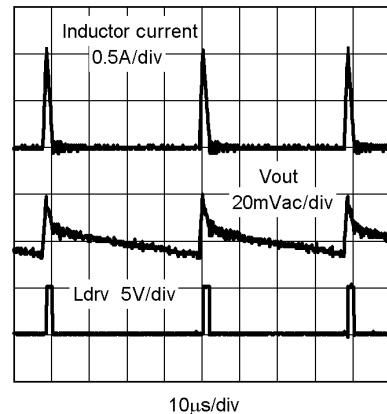
( $V_{OUT1} = 5V$ ,  $V_{OUT2} = 3.3V$ )



20015920

## Pulse-Skipping Operation

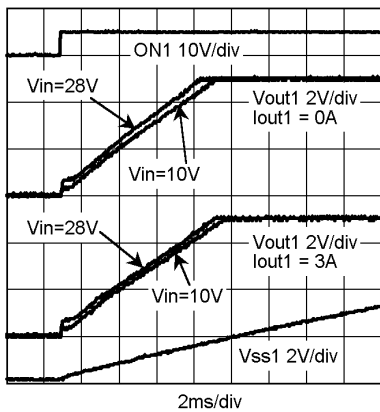
( $V_{IN} = 15V$ ,  $V_{OUT} = 5V$ ,  $I_{OUT} = 35mA$ )



20015921

## Soft Start

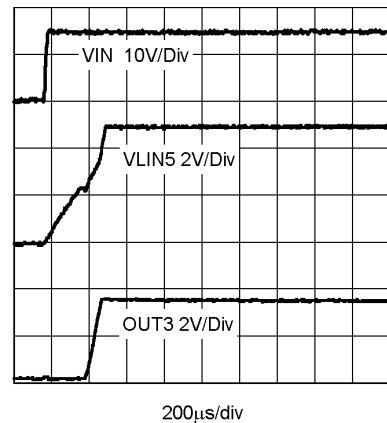
( $V_{IN} = 10V$  to  $28V$ ,  $V_{OUT} = 5V$ ,  $I_{OUT} = 0A$  to  $3A$ )



20015922

## Start Up at Sleep Mode

( $V_{IN} = 15V$ ,  $ON1 = ON2 = Off$ )



20015923

## Operation Descriptions

### GENERAL

The LM2645 integrates two synchronous switching controllers, one adjustable linear regulator controller and one fixed 3.3V output into a single package. It solves the need within many portable systems for 5V, 3.3V, 3.3V stand-by and 12V legacy power supplies.

The two switching controllers, Channel 1 and Channel 2, operate 180° out of phase to reduce input capacitor size and cost. They can be independently enabled and disabled. The external linear regulator controller, or Channel 4, can also be independently enabled and disabled when Channel 1 has been enabled.

The output voltages of channel 1 and channel 2 can be set between 1.3V to 5.5V by external voltage divider, or fixed at 5V and 3.3V respectively without the need of external voltage divider. The output voltage of Channel 4 is adjustable from 3.3V to 15V.

Both switching channels use synchronous rectification and employ a peak current mode control scheme. Protection features include over-voltage protection (Ch1 and 2), under-voltage protection (Ch1, 2 and 4), and positive and negative peak current limit (Ch1 and 2). UVP function can be disabled or delayed by an arbitrary amount of time. The device operates with a wide input voltage range from 5.5V to 30V. The outputs of the two switching channels have independent power good monitoring. Channel 1 and channel 2 can be configured to operate in parallel as a dual phase switching converter for high power applications

### SOFT START

In normal operation the soft-start functions as follows. As the input voltage rises above the 4.2V UVLO threshold, the internal circuitry is powered on, an internal 2μA current starts to charge the capacitor connected between the SSx pin and ground, and the corresponding channel is turned on. A MIN\_ON\_TIME comparator generates the soft start PWM pulses. As the SSx pin voltage ramps up, the duty cycle increases, causing the output voltage to ramp up. During this time, the error amplifier output voltage is clamped at 0.8V, and the duty cycle generated by the PWM comparator is ignored. When the corresponding output voltage exceeds 98.5% (typical) of the set target voltage, the regulator transitions from soft-start to operating mode. Beyond this point, once the PWM pulses generated by the PWM comparator are wider than those generated by the MIN\_ON\_TIME comparator, the PWM comparator takes over and starts to regulate the output voltage. At the same time, the high clamp at the output of the error amplifier is switched to 2V. That is, peak current mode control now takes place.

The rate at which the duty cycle increases depends on the capacitance of the soft start capacitor. The higher the capacitance, the slower the output voltage ramps. A unique feature of the LM2645 is that the rate at which the duty cycle grows is independent of the input voltage. This is because the ramp signal used to generate the soft start duty cycle has a peak value proportional to the input voltage, making the product of duty cycle and input voltage a constant. This makes the soft start process more predictable and reliable.

During soft start, under-voltage protection is temporarily suspended, but over-voltage protection and current limit remain in effect. When the SSx pin voltage exceeds 2V, a soft start

time out signal (sstox) will be issued. This signal sets the under-voltage protection into ready mode. See the Under-Voltage Protection section.

If either the SS1 or SS2 pin is short-circuited to ground before startup, the corresponding channel will operate at minimum duty cycle when it is enabled, and the under-voltage protection of that channel will be disabled. However, if the soft start has been completed and the output voltage has been established, then short-circuiting the SSx pin to ground does not affect the normal operation and under-voltage protection of that channel.

### SHUT DOWN LATCH STATE

This state is typically caused by an output under-voltage or over-voltage event. In this state, both switching channels have their top FETs turned off and their bottom FETs turned on (See the Ch1 and 2 output capacitors discharge section). The LDODRV pin will be shut down, but VLIN5 and OUT3 will remain unaffected.

There are two methods to release the system from the latch off state. One is to cycle the input voltage. Another method is to pull the  $\overline{SD}$  pin below 0.6V and release it HIGH again. After the latch is released, the two switching channels will go through the normal soft start process.

### CH 1 AND 2 OUTPUT CAPACITORS DISCHARGE

Each switching channel has an embedded 200Ω MOSFET with the drain connected to the VOx pin. This MOSFET will discharge the output capacitor of that channel if that channel is turned off due to one of the following events:

1. Its ONx pin is pulled low to below 0.8V.
2. The IC enters shut down mode or fault state.
3. The IC enters shut down latch state caused by an output under-voltage event.

When the output capacitor has been discharged to about 0.8V, the bottom gate-drive (LDRVx) will be turned on, driving on the bottom FET to discharge the output capacitor through the filter inductor.

If an output over-voltage event occurs, the HDRVx will be turned off and the LDRVx will be turned on immediately regardless of the level of output voltage, thus discharging the output capacitor through the filter inductor.

When that channel is released from the shutdown latch state or returned to the on state, it will go through the soft start process to recover the output voltage.

### FAULT STATE

If the input voltage drops to less than 3.9V, or the IC enters thermal shut down mode, a "fault" signal will be generated internally. This signal will discharge the capacitor connected between the SSx pin and ground with 24μA of current until the SSx pin reaches 50mV. This will turn off both switching channels.

### FORCE PWM MODE

This mode applies to both switching channels simultaneously. The force-PWM mode is activated by pulling the  $\overline{FPWM/2NDFB}$  pin to logic low. In this mode, the top FET and the bottom FET gate signals are always complementary to each other and the NEGATIVE CURRENT LIMIT comparator is activated (see *Negative Current Limit* section). In force-PWM mode, the regulator always operates in Continuous Conduction Mode (CCM) and its duty cycle (approximately  $V_{out} / V_{in}$ ) is almost independent of load.

## Operation Descriptions (Continued)

The force-PWM mode is good for applications where fixed switching frequency is required.

In force-PWM mode, the top FET has to be turned on for a minimum of typically 220ns each cycle. However, when the required duty cycle is less than the minimum value, the skip comparator will be activated and pulses will be skipped to maintain regulation.

### SKIP COMPARATOR

Whenever the output voltage of the error amplifier (COMPx pin) goes below a 0.5V threshold, the PWM cycles will be "skipped" until that voltage exceeds the threshold again.

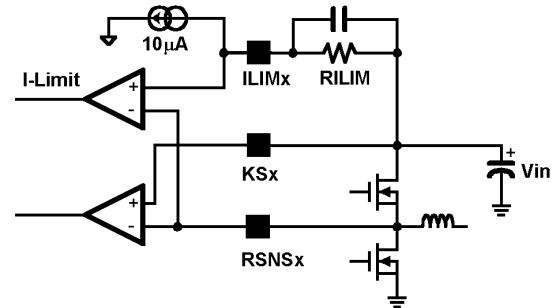
### PULSE-SKIP MODE

This mode is activated by pulling the  $\overline{\text{FPWM}}/2\text{NDFB}$  pin to a TTL-compatible logic high and applies to both switching channels simultaneously. In this mode, the 0-CROSSING / NEGATIVE CURRENT LIMIT comparator detects the bottom FET current. Once the bottom FET current flows from drain to source, the bottom FET will be turned off. This prevents negative inductor current. In force-PWM operation, the inductor current is allowed to go negative, so the regulator is always in Continuous Conduction Mode (CCM), no matter what the load is. In CCM, duty cycle is almost independent of the load and is roughly  $V_{\text{out}}$  divided by  $V_{\text{in}}$ . In pulse-skip mode, the regulator enters Discontinuous Conduction Mode (DCM) under light load. Once the regulator enters DCM, its switching frequency droops as the load current decreases. The regulator operates in DCM PWM mode until its on-time falls below 85% of the CCM on-time, then the MIN\_ON\_TIME comparator takes over. It forces 85% of the CCM on-time thus causing the output voltage to continuously rise and COMPx pin voltage (error amplifier output voltage) to continuously droop. When the COMPx pin voltage hits the 0.5V level, the CYCLE\_SKIP comparator toggles, causing the present switching cycle to be "skipped", i.e., both FETs remain off during the whole cycle. As long as the COMPx pin voltage is below 0.5V, no switching of the FETs will happen. As a result, the output voltage will droop, and the COMPx pin voltage will rise. When the COMPx pin goes above the 0.5V level, the CYCLE\_SKIP comparator flips and allows a 85% CCM on-time pulse to happen. If the load current is so small that this single pulse is enough to bring the output voltage up to such a level that the COMPx pin drops below 0.5V again, the pulse skipping will happen again. Otherwise it may take a number of consecutive pulses to bring the COMPx pin voltage down to 0.5V again. As the load current increases, it takes more and more consecutive pulses to drive the COMPx voltage to 0.5V. When the load current is so high that the duty cycle exceeds the 85% CCM on-time, then pulse-skipping disappears. In pulse-skip mode, the frequency of the switching pulses decrease as the load current decreases. Since the load is usually very light in pulse-skip mode, conducted noise will be very low and the variable operating frequency should cause no EMI problems in the system.

The LM2645 pulse-skip mode helps the light load efficiency for two reasons. First, it turns on the bottom FET only when inductor current is in positive conduction region, this eliminates circulating energy loss. Second, the FETs are switching only when necessary, rather than every cycle, that reduces FETs switching loss and gate drive power loss.

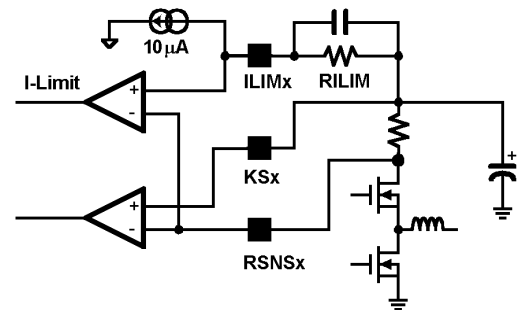
## CURRENT SENSING AND CURRENT LIMITING

The information of inductor current is extracted by the current sense pin KSx and RSNSx. As shown in Figure 1 and Figure 2, current sensing is accomplished by either sensing the  $V_{\text{ds}}$  of the top FET, or sensing the voltage across a current sense resistor connected from  $V_{\text{in}}$  to the drain of the top FET. The advantage of sensing current across the top FET is reduced parts count and cost. Using a current sense resistor improves current sense accuracy. To ensure linear operation of the current amplifier, the current sense voltage input must not exceed 200mV. Therefore, the  $R_{\text{ds}}$  of the top FET or the current sense resistor must be small enough that, when the top FET is on, the current sense voltage does not exceed 200mV.



20015928

FIGURE 1. Current Sensing by  $V_{\text{ds}}$  of the Top FET



20015929

FIGURE 2. Current Sensing by External Sense Resistor

There is a leading edge blanking circuit that forces the top FET to be on for at least 150ns. Beyond this minimum on time, the output of the PWM comparator is used to turn off the top FET.

With an external resistor connected between the ILIMx pin and the KSx pin, the 10µA current sink on the ILIMx pin produces a voltage across the resistor to serve as the reference voltage for current limit. Adding a 10nF capacitor across this resistor will filter unwanted noise that could improperly trip the current limit comparator. Current limit is activated if the inductor current is too high causing the voltage at the RSNSx pin to be lower than that of the ILIMx pin, toggling the comparator thus turning off the top FET immediately. The comparator is disabled either when the top FET is turned off or during the leading edge blanking time.



## Operation Descriptions (Continued)

### NEGATIVE CURRENT LIMIT

The purpose of negative current limit is to ensure that the inductor will not saturate during negative current flow causing excessive current to flow through the bottom FET. The negative current limit is realized through sensing the bottom FET  $V_{ds}$ . An internally generated 100mV (typical) is used to compare with the bottom FET  $V_{ds}$  when it is on. Upon sensing too high a  $V_{ds}$ , the bottom FET will be turned off. The negative current limit is activated in force PWM mode.

### OVER-VOLTAGE PROTECTION

This protection feature is implemented in the two switching channels and not the linear channels. Any over voltage event at any of the two switching channels' output will cause the LM2645 to enter the *shut down latch state*. The HDRVx will be turned off, and the LDRVx will be turned on immediately to drive the bottom FET to discharge the output capacitor through the filter inductor.

### UNDER-VOLTAGE PROTECTION

The UVP feature is implemented in channel 1, channel 2 and the linear regulator controller (LDODRV). The under-voltage protection feature is disabled if the UV\_DELAY pin is pulled to ground; this is useful for system debug work. If a capacitor is connected between the UV\_DELAY pin and ground, and the voltage at the SSx pin is above 2V, the UVP is at ready mode.

If a switching channel is enabled, and its soft-start time out signal, sstox (see soft start section) is asserted, then an under-voltage event at the output of that channel will cause the system to enter the UVP timeout state. For the external linear regulator controller (LDODRV), if channel 1 is on and the soft start time out signal (ssto1) has been issued, then an under voltage event at the linear regulator output will cause the system to enter UVP timeout state.

When the system reacts on an under-voltage event, a 5 $\mu$ A current will charge the capacitor connected to the UV\_DELAY pin; when the capacitor is charged to a voltage exceeding 2.3V(typical), the system immediately enters shut down latch state.

### POWER GOOD FUNCTION

Two power good signals are available for indicating the general health of the two switching channels individually. The function is realized through the internal MOSFET of each channel tied from the PGOODx pins to ground. The power good signal is asserted by turning off the MOSFET of that channel. The on resistance of the power good MOSFET is about 300 $\Omega$ .

The internal power good MOSFET will not be turned on unless at least one of the following occurs:

1. there is an output over voltage event;
2. the output voltage is below the power good lower limit;
3. system is in the shut down mode, i.e. the  $\overline{SD}$  pin voltage is below 0.6V;
4. The switching channel is in standby mode, i.e. the ONx pin is below 0.8V;
5. system is in the *fault state*.
6. system is in the *shut down latch state*.

Power good upper limit is the same as that of the OVP threshold.

Except in the latched off condition (cases 1 and 6) , if the corresponding output voltage(s) recovers to within -6% of regulation, PGOODx will be asserted again. But there is a built-in hysteresis. See  $V_{pwr\,gd}$  in the Electrical Characteristics table. The above information is also available in *Power Good Truth Table*.

### VLIN5, VDDx and EXT

An internal 5V supply (VLIN5) is generated from the VIN voltage through an internal linear regulator. This 5V supply is mainly for internal circuitry use, but can also be used externally. When used externally, it is recommended that the VLIN5 voltage only be used for powering the gate drivers, i.e. supplying the bias for the top drivers' bootstrap circuit and the bottom drivers' VDDx pins.

When the voltage applied to the EXT pin is below 4.7V, an internal 5V low dropout regulator supplies the power for the VLIN5. If the EXT voltage is taken above 4.7V, the 5V regulator is turned off and an internal switch is turned on to connect the EXT pin to the VLIN5 pin. This allows the VLIN5 power to be derived from a high efficiency source such as the output from either one of the switching channels, when the channel is configured to operate in fixed 5V mode.

Irrespective of the signals on the ONx pins, the VLIN5 voltage output will come from the EXT pin whenever the voltage applied to the EXT pin is higher than 4.7V. The externally applied voltage is required to be less than the voltage applied to the VIN pin at all times, even when both channels are shut down. This prevents a voltage back feed situation from the EXT pin to the VIN pin.

In shut down mode the VLIN5 pin may go as high as 6.5V. Connecting a 100k $\Omega$  dummy load from VLIN5 to ground will hold the voltage to 6V maximum. Using a 200k $\Omega$  resistor to pull up PGOOD1 and PGOOD2 to VLIN5 is an alternative solution.

When input voltage is guaranteed to be within 4.5V to 5.5V, tie the VLIN5 pin directly to the VIN pin and tie the EXT to ground. In this mode, the VLIN5 current directly comes from power stage input rail and power loss due to the internal linear regulation is no longer an issue.

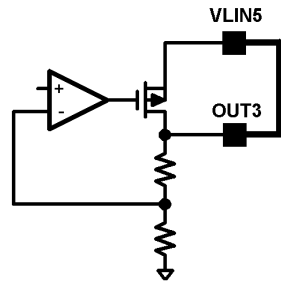
The two VDDx pins can be tied together. Always connect them to the VLIN5 pin through a 4.7 $\Omega$  resistor and connect a ceramic capacitor of at least 1 $\mu$ F to bypass the VDDx pins to ground.

### OUTPUT CAPACITORS FOR LINEAR REGULATORS

Like any linear regulator, each linear output that is either generated or controlled by the LM2645 requires an output capacitor to ensure stability. The output of OUT3 needs a capacitor of 1 $\mu$ F minimum. The VLIN5 needs a minimum of 4.7 $\mu$ F. Channel 4, the linear regulated output rail that is controlled by the LDODRV pin, requires an output capacitor of 10 $\mu$ F minimum to prevent oscillation.

In applications where the OUT3 is not needed, it may be disabled by connecting this pin to the VLIN5 as illustrated in *Figure 3* to eliminate the need of a output capacitor.

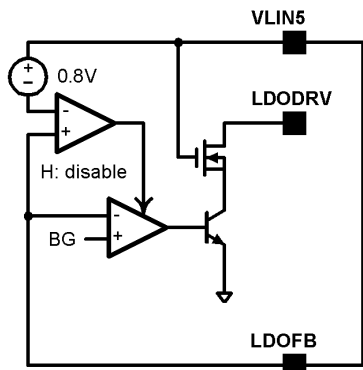
## Operation Descriptions (Continued)



20015925

**FIGURE 3. Connecting OUT3 to VLIN5 when not in use**

Likewise, if the LDODRV pin is not used, connect the LD-OFB pin to VLIN5 as shown in *Figure 4* to disable this channel and the under voltage protection associated with it.



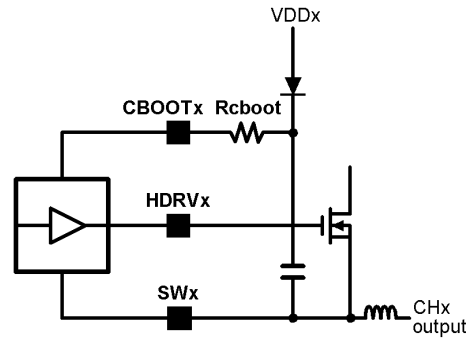
20015924

**FIGURE 4. Connecting LDOFB to VLIN5 to disable the LDODRV and the UVP associated with it**

### SWITCHING NOISE REDUCTION

Power MOSFETs are very fast switching devices. In synchronous rectifier converter, rapid drain current rise rate of the top FET coupled with parasitic inductance will generate unwanted  $Ldi/dt$  spikes noise at the source node of the FET (SWx node). The magnitude of the spike noise will increase as the output current increases. This parasitic spike noise may turn into electromagnetic interference (EMI) that may cause trouble to the system performance, therefore, must be suppressed.

As shown in *Figure 5*, adding a resistor in series with the CBOOTx pin will slowdown the gate drive (HDRVx) rise time of the top FET to yield a desired drain current transition time. Usually a 3.3 to 5.1 ohm resistor is sufficient to suppress the noise. The top FET switching loss will increase with higher resistance values.

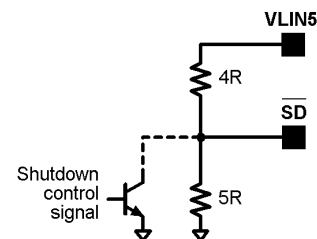


20015926

**FIGURE 5. Adding a resistor in series with the CBOOT pin to suppress the turn-on switching noise**

### INPUT POWER SUPPLY CYCLING

If the input supply is removed during operation and then re-applied before the power-on-reset signal has been reset, the part will remain latched off. A solution for this problem is shown in *Figure 6*, using a voltage divider of 4:5 ratio to pull the  $\overline{SD}$  pin up to VLIN5. With the voltage divider, the  $\overline{SD}$  pin always falls below the logic low level and executes the power-on-reset after VIN drops below 3V. External shutdown control is included as an option.



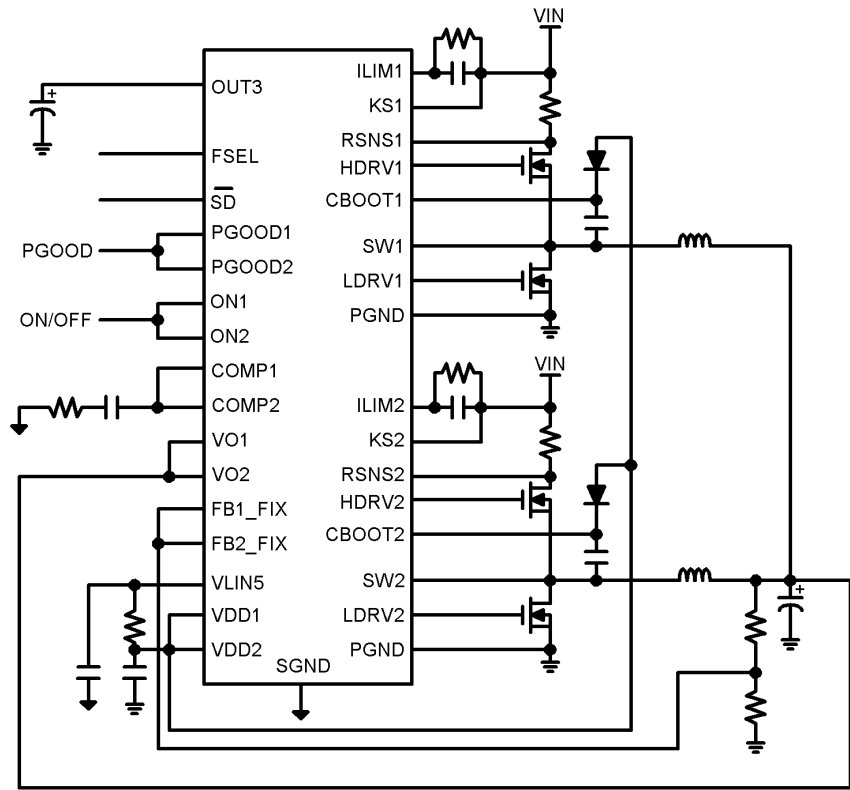
20015927

**FIGURE 6. Voltage divider ratio for  $\overline{SD}$  pin**

### DUAL-PHASE PARALLEL OUTPUTS

In applications with high output current demand, the two switching channels can be configured to operate as a two-phase converter to provide a single output voltage with current sharing between the two switching channels. This approach greatly reduces the stress and heat on the output stage components while lowering input ripple current. *Figure 7* shows a typical example for the two-phase operation. Because precision current sense is the primary design criteria to ensure accurate current sharing between the two channels, both channels must use external sense resistors for current sensing. To minimize the error between the error amplifiers of the two channel, tie the feedback pins FB1\_FIX and FB2\_FIX together and connect to one voltage divider for output voltage sensing. Also, tie the COMP1 and COMP2 together and connect to the compensation network. Since there is only one output involved, POOGD1 and 2, and VO1 and 2 should be connected in pairs for monitoring the single output rail. ON1 and ON2 should be tied together to enable and disable both channels simultaneously.

Operation Descriptions (Continued)

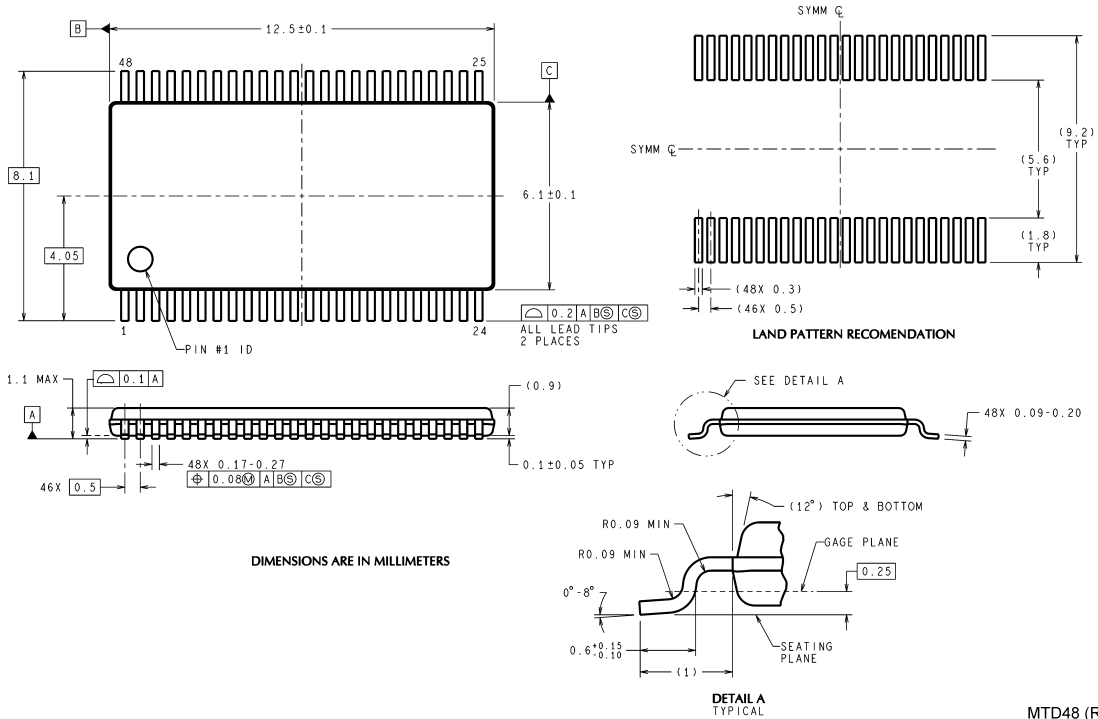


20015904

FIGURE 7. Dual-Phase parallel operation

## Physical Dimensions inches (millimeters)

unless otherwise noted



**48-Lead TSSOP Package**  
**Order Number LM2645MTD**  
**NS Package Number MTD48**

National does not assume any responsibility for use of any circuitry described, no circuit patent licenses are implied and National reserves the right at any time without notice to change said circuitry and specifications.

For the most current product information visit us at [www.national.com](http://www.national.com).


### LIFE SUPPORT POLICY

NATIONAL'S PRODUCTS ARE NOT AUTHORIZED FOR USE AS CRITICAL COMPONENTS IN LIFE SUPPORT DEVICES OR SYSTEMS WITHOUT THE EXPRESS WRITTEN APPROVAL OF THE PRESIDENT AND GENERAL COUNSEL OF NATIONAL SEMICONDUCTOR CORPORATION. As used herein:

1. Life support devices or systems are devices or systems which, (a) are intended for surgical implant into the body, or (b) support or sustain life, and whose failure to perform when properly used in accordance with instructions for use provided in the labeling, can be reasonably expected to result in a significant injury to the user.
2. A critical component is any component of a life support device or system whose failure to perform can be reasonably expected to cause the failure of the life support device or system, or to affect its safety or effectiveness.

### BANNED SUBSTANCE COMPLIANCE

National Semiconductor manufactures products and uses packing materials that meet the provisions of the Customer Products Stewardship Specification (CSP-9-111C2) and the Banned Substances and Materials of Interest Specification (CSP-9-111S2) and contain no "Banned Substances" as defined in CSP-9-111S2.

 **National Semiconductor**  
**Americas Customer Support Center**  
 Email: [new.feedback@nsc.com](mailto:new.feedback@nsc.com)  
 Tel: 1-800-272-9959

**National Semiconductor**  
**Europe Customer Support Center**  
 Fax: +49 (0) 180-530 85 86  
 Email: [europe.support@nsc.com](mailto:europe.support@nsc.com)  
 Deutsch Tel: +49 (0) 69 9508 6208  
 English Tel: +44 (0) 870 24 0 2171  
 Français Tel: +33 (0) 1 41 91 8790

**National Semiconductor**  
**Asia Pacific Customer Support Center**  
 Email: [ap.support@nsc.com](mailto:ap.support@nsc.com)

**National Semiconductor**  
**Japan Customer Support Center**  
 Fax: 81-3-5639-7507  
 Email: [jpn.feedback@nsc.com](mailto:jpn.feedback@nsc.com)  
 Tel: 81-3-5639-7560