

# Internal-Switch Boost Regulator with Integrated 3-Channel Scan Driver for TFT LCDs

## General Description

The MAX8798 includes a high-performance, step-up regulator; a high-speed operational amplifier; a digitally adjustable VCOM calibration device with nonvolatile memory; an I<sup>2</sup>C interface; and a high-voltage, level-shifting scan driver. The device is optimized for thin-film transistor (TFT) liquid-crystal display (LCD) applications.

The step-up DC-DC converter provides the regulated supply voltage for panel source driver ICs. The high switching frequency allows the use of ultra-small inductors and ceramic capacitors. The current-mode control architecture provides fast transient response to pulsed loads typical of source driver loads. The step-up regulator features soft-start and current limit.

The high-current operational amplifier is designed to drive the LCD backplane (VCOM). The amplifier features high output current ( $\pm 150\text{mA}$ ), fast slew rate ( $45\text{V}/\mu\text{s}$ ), wide bandwidth (20MHz), and rail-to-rail inputs and outputs.

The programmable VCOM calibrator is externally attached to the VCOM amplifier's resistive voltage-divider and sinks a programmable current to adjust the VCOM output-voltage level. An internal 7-bit digital-to-analog converter (DAC) controls the sink current. The DAC is ratiometric relative to BOOST and is guaranteed to be monotonic over all operating conditions. The calibrator IC includes an EEPROM to store the desired VCOM voltage level. The 2-wire I<sup>2</sup>C interface between the LCD panel and the programming circuit minimizes panel connector lead count and simplifies production equipment.

The high-voltage, level-shifting scan driver is designed to drive the TFT panel gate drivers. Its three outputs swing 65V (maximum) between +45V (maximum) and -25V (minimum) and can swiftly drive capacitive loads. To save power, the two complementary outputs are designed to allow charge sharing during state changes.

The MAX8798 is available in a 36-pin, thin QFN package with a maximum thickness of 0.8mm for ultra-thin LCD panels.

## Applications

Notebook Computer Displays  
LCD Monitor Panels

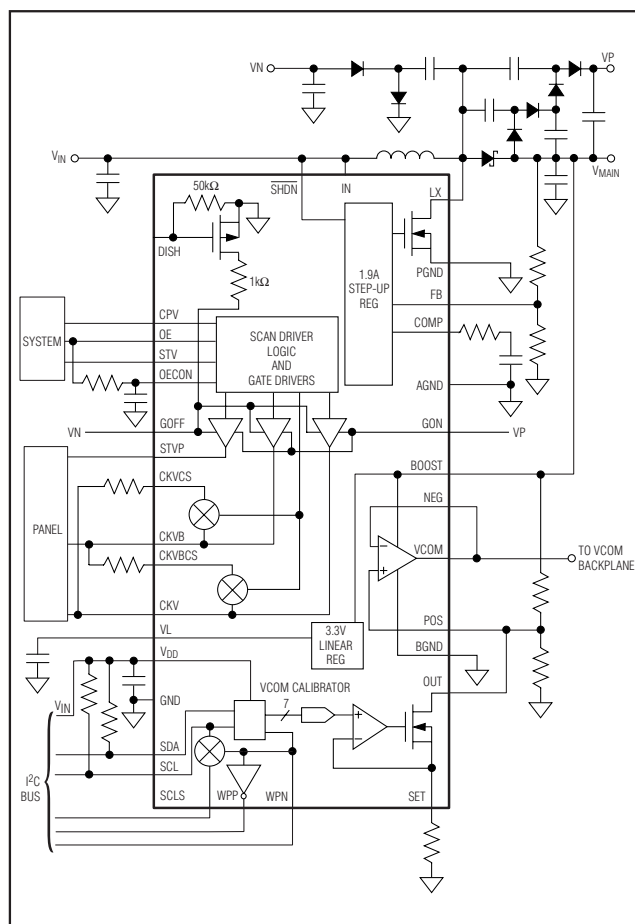
## Ordering Information

PART	TEMP RANGE	PIN-PACKAGE	PKG CODE
MAX8798ETX+	-40°C to +85°C	36 Thin QFN 6mm x 6mm	T-3666M-1

## Features

- ◆ 1.8V to 5.5V IN Supply Voltage Range
- ◆ 1.8V to 4.0V VDD Input Voltage Range
- ◆ 1.2MHz Current-Mode Step-Up Regulator  
Fast Transient Response  
Built-In 20V, 1.9A, 150m $\Omega$  MOSFET
- ◆ High-Speed (20MHz) Operational Amplifier  
 $\pm 150\text{mA}$  Output Current
- ◆ High-Voltage Drivers with Scan Logic  
+45V to -25V Outputs  
65V (maximum) Swing  
Output Charge Sharing
- ◆ Programmable VCOM Calibrator  
7-Bit Adjustable Current-Sink Output  
I<sup>2</sup>C Interface  
EEPROM Setting Memory
- ◆ Thermal-Overload Protection

## Simplified Operating Circuit



# Internal-Switch Boost Regulator with Integrated 3-Channel Scan Driver for TFT LCDs

## ABSOLUTE MAXIMUM RATINGS

IN, VL, $\overline{\text{SHDN}}$ to AGND	-0.3V to +7.5V
V <sub>DD</sub> , SDA, SCL, SCLS, WPN, WPP, SET to GND	-0.3V to +4.0V
OECON, CPV, OE, STV to AGND	-0.3V to +4.0V
COMP, FB to AGND	-0.3V to (V <sub>L</sub> + 0.3V)
DISH to GND	-6V to +2.0V
LX to PGND	-0.3V to +20V
OUT, VCOM, NEG, POS to BGND	-0.3V to (BOOST + 0.3V)
PGND, BGND, AGND to GND	-0.3V to +0.3V
GON to AGND	-0.3V to +50V
GOFF to AGND	-30V to (V <sub>IN</sub> + 0.3V)
GON to GOFF	+70V
BOOST to BGND	-0.3V to +20V

CKV, CKVB, STVP, CKVCS, CKVBCS to AGND	(GOFF - 0.3V) to (GON + 0.3V)
LX, PGND RMS Current Rating	2.4A
Continuous Power Dissipation (T <sub>A</sub> = +70°C)	
NiPd Lead Frame with Nonconductive Epoxy	
36-Pin, 6mm x 6mm Thin QFN	
(derate 27.2mW/°C above +70°C)	2179.8mW
Operating Temperature Range	-40°C to +85°C
Junction Temperature	+150°C
Storage Temperature Range	-65°C to +150°C
Lead Temperature (soldering, 10s)	+300°C

Stresses beyond those listed under "Absolute Maximum Ratings" may cause permanent damage to the device. These are stress ratings only, and functional operation of the device at these or any other conditions beyond those indicated in the operational sections of the specifications is not implied. Exposure to absolute maximum rating conditions for extended periods may affect device reliability.

## ELECTRICAL CHARACTERISTICS

(V<sub>IN</sub> = V<sub>DD</sub> =  $\overline{\text{VSHDN}}$  = +3V, circuit of Figure 2, V<sub>BOOST</sub> = 8V, V<sub>GON</sub> = 23V, V<sub>GOFF</sub> = -12V, V<sub>POS</sub> = 0, V<sub>NEG</sub> = 1.5V, V<sub>OE</sub> = V<sub>CPV</sub> = V<sub>STV</sub> = V<sub>OECON</sub> = 0, T<sub>A</sub> = 0°C to +85°C, unless otherwise noted. Typical values are at T<sub>A</sub> = +25°C.)

PARAMETER	CONDITIONS	MIN	TYP	MAX	UNITS
V <sub>DD</sub> Input Voltage Range		1.8		4.0	V
V <sub>DD</sub> Quiescent Current	V <sub>DD</sub> = 3V		4	10	μA
V <sub>DD</sub> Undervoltage Lockout	V <sub>DD</sub> rising; typical hysteresis 100mV		1.3	1.75	V
IN Input Voltage Range	(Note 1)	1.8		6.0	V
IN Quiescent Current	V <sub>IN</sub> = 3V, V <sub>FB</sub> = 1.5V, not switching		0.04	0.1	mA
IN Undervoltage Lockout	IN rising; typical hysteresis 100mV		1.4	1.75	V
Thermal Shutdown	Rising edge, hysteresis = 15°C		160		°C
<b>BOOTSTRAP LINEAR REGULATOR (VL)</b>					
VL Output Voltage	I <sub>VL</sub> = 100μA	3.15	3.3	3.45	V
VL Undervoltage Lockout	VL rising, typical hysteresis 200mV	2.4	2.7	3.0	V
VL Maximum Output Current	V <sub>FB</sub> = 1.1V	10			mA
<b>MAIN DC-DC CONVERTER</b>					
BOOST Supply Current	LX not switching, no load on VL		1.5	2	mA
	LX switching, no load on VL		3	4	
Operating Frequency		990	1170	1350	kHz
Oscillator Maximum Duty Cycle		88	92	96	%
FB Regulation Voltage		1.216	1.235	1.254	V
FB Load Regulation	0 < I <sub>LOAD</sub> < 200mA, transient only		-1		%
FB Line Regulation	V <sub>IN</sub> = 1.8V to 5.5V, FB to COMP	-0.15	-0.08	+0.15	%/V
FB Input Bias Current	V <sub>FB</sub> = 1.25V	50	125	200	nA
FB Transconductance	ΔI = 5μA at COMP	70	160	280	μS
FB Voltage Gain	FB to COMP		2400		V/V
FB Fault Timer Trip Threshold	Falling edge	0.96	1	1.04	V
LX On-Resistance	I <sub>LX</sub> = 1.2A		150	300	mΩ
LX Leakage Current	V <sub>LX</sub> = 18V		0.01	20	μA
LX Current Limit	Duty cycle = 65%	1.6	1.9	2.2	A
Current-Sense Transresistance		0.25	0.42	0.55	V/A
Soft-Start Period			3		ms

# Internal-Switch Boost Regulator with Integrated 3-Channel Scan Driver for TFT LCDs

MAX8798

## ELECTRICAL CHARACTERISTICS (continued)

( $V_{IN} = V_{DD} = V_{SHDN} = +3V$ , circuit of Figure 2,  $V_{BOOST} = 8V$ ,  $V_{GON} = 23V$ ,  $V_{GOFF} = -12V$ ,  $V_{POS} = 0$ ,  $V_{NEG} = 1.5V$ ,  $V_{OE} = V_{CPV} = V_{STV} = V_{OECON} = 0$ ,  $T_A = 0^{\circ}C$  to  $+85^{\circ}C$ , unless otherwise noted. Typical values are at  $T_A = +25^{\circ}C$ .)

PARAMETER	CONDITIONS	MIN	TYP	MAX	UNITS
<b>OPERATIONAL AMPLIFIER</b>					
BOOST Supply Range		5		18	V
BOOST Overvoltage Fault Threshold	(Note 2)	18.1	19	19.9	V
BOOST Undervoltage Fault Threshold	(Note 3)		1.0	1.4	V
Large-Signal Voltage Gain	$1V < (V_{NEG}, V_{POS}) < (V_{BOOST} - 1V)$		120		dB
Common-Mode Rejection Ratio	$1V < (V_{NEG}, V_{POS}) < (V_{BOOST} - 1V)$		75		dB
Input Offset Voltage	$1V < (V_{NEG}, V_{POS}) < (V_{BOOST} - 1V)$	-25	-5	+25	mV
	$V_{BOOST}/2$	-15	-2.5	+12	
Input Bias Current	$1V < (V_{NEG}, V_{POS}) < (V_{BOOST} - 1V)$	-50		+50	nA
Input Common-Mode Voltage Range	$1V < (V_{NEG}, V_{POS}) < (V_{BOOST} - 1V)$	0		$V_{BOOST}$	V
VCOM Output Voltage Swing High	$I_{VCOM} = 5mA$	$V_{BOOST} - 100$	$V_{BOOST} - 50$		mV
VCOM Output Voltage Swing Low	$I_{VCOM} = -5mA$		50	100	mV
VCOM Output-Current High	$V_{VCOM} = V_{BOOST} - 1V$		-75		mA
VCOM Output-Current Low	$V_{VCOM} = 1V$		+75		mA
Slew Rate	$1V < (V_{NEG}, V_{POS}) < (V_{BOOST} - 1V)$		40		V/ $\mu s$
-3dB Bandwidth	$1V < (V_{NEG}, V_{POS}) < (V_{BOOST} - 1V)$		20		MHz
VCOM Short-Circuit Current	Short to $V_{BOOST}/2$ , sourcing	50	150		mA
	Short to $V_{BOOST}/2$ , sinking	50	150		
<b>PROGRAMMABLE VCOM CALIBRATOR</b>					
GON Input Range		16.1		45.0	V
GON Threshold to Enable Program	Rising edge, 60mV hysteresis		15.6	16.0	V
SET Voltage Resolution		7			Bits
SET Differential Nonlinearity	Monotonic overtemperature	-2		+2	LSB
SET Zero-Scale Error		-1	+1	+2	LSB
SET Full-Scale Error		-3		+3	LSB
SET Current				120	$\mu A$
SET External Resistance (Note 4)	To GND, $V_{BOOST} = 18V$	8.5		170.0	$k\Omega$
	To GND, $V_{BOOST} = 6V$	2.5		50.0	
$V_{SET}/V_{BOOST}$ Voltage Ratio	DAC full scale		0.05		V/V
OUT Leakage Current	When OUT is off		1		nA
OUT Settling Time	To $\pm 0.5$ LSB error band		20		$\mu s$
OUT Voltage Range		$V_{SET} + 0.5V$		18	V
EEPROM Write Cycles	(Note 5)	1000			—

# Internal-Switch Boost Regulator with Integrated 3-Channel Scan Driver for TFT LCDs

## ELECTRICAL CHARACTERISTICS (continued)

( $V_{IN} = V_{DD} = V_{SHDN} = +3V$ , circuit of Figure 2,  $V_{BOOST} = 8V$ ,  $V_{GON} = 23V$ ,  $V_{GOFF} = -12V$ ,  $V_{POS} = 0$ ,  $V_{NEG} = 1.5V$ ,  $V_{OE} = V_{CPV} = V_{STV} = V_{OECON} = 0$ ,  $T_A = 0^{\circ}C$  to  $+85^{\circ}C$ , unless otherwise noted. Typical values are at  $T_A = +25^{\circ}C$ .)

PARAMETER	CONDITIONS	MIN	TYP	MAX	UNITS
<b>2-WIRE INTERFACE</b>					
Logic-Input Low Voltage ( $V_{IL}$ )	SDA, SCL, WPN, $V_{DD} = 3V$			$0.3 \times V_{DD}$	V
Logic-Input High Voltage ( $V_{IH}$ )	SDA, SCL, WPN, $V_{DD} = 3V$	$0.7 \times V_{DD}$			V
WPP Logic-Output Low Voltage	$I_{WPP} = 1mA$			+0.1	V
WPP Logic-Output High Voltage	$I_{WPP} = 1mA$	$V_{DD} - 0.1$			V
SDA Logic-Output Low Sink Current	SDA forced to 3.3V	6			mA
Logic Input Current	SDA, SCL, SCL_S, WPN to $V_{DD}$ or GND	-1		+1	$\mu A$
Input Capacitance	SDA, SCL, SCL_S		5		pF
SCL Frequency ( $f_{CLK}$ )		DC		500	kHz
SCL High Time ( $t_{CLH}$ )		600			ns
SCL Low Time ( $t_{CLL}$ )		1300			ns
SDA, SCL, SCLS Rise Time ( $t_R$ )	$C_{BUS}$ = total capacitance of bus line in pF	$20 + 10 \times C_{BUS}$		300	ns
SDA, SCL, SCLS Fall Time ( $t_F$ )	$C_{BUS}$ = total capacitance of bus line in pF	$20 + 10 \times C_{BUS}$		300	ns
START Condition Hold Time ( $t_{HDSTT}$ )	10% of SDA to 90% of SCL	600			ns
START Condition Setup Time ( $t_{SVSTT}$ )		600			ns
Data Input Hold Time ( $t_{HDDAT}$ )		0			ns
Data Input Setup Time ( $t_{SUDAT}$ )		150			ns
STOP Condition Setup Time ( $t_{SVSTP}$ )		600			ns
Bus Free Time ( $t_{JF}$ )		1300			ns
Input Filter Spike Suppression ( $t_{SP}$ )	SDA, SCL (Note 5)			250	ns
SCL-SCLS Switch Resistance	WPN = GND	1			M $\Omega$
	WPN = $V_{DD}$		20	50	$\Omega$
<b>HIGH-VOLTAGE SCAN DRIVER</b>					
GON Input Voltage Range		12		45	V
GOFF Input Voltage Range		-25		-2	V
GON to GOFF	$V_{GON} - V_{GOFF}$			65	V
GON Supply Current	STV, CPV, OE, OECON = AGND		250	350	$\mu A$
GOFF Supply Current	STV, CPV, OE, OECON = AGND		100	200	$\mu A$
Output-Voltage Low	CKV, CKVB, STVP, -5mA output current	$V_{GOFF} + 0.2$	$V_{GOFF} + 0.05$		V
Output-Voltage High	CKV, CKVB, STVP, 5mA output current		$V_{GON} - 0.05$	$V_{GON} - 0.2$	V
Propagation Delay Between OE Rising Edge and CKV/CKVB Edge	$V_{CPV} = 0$ , $V_{STV} = 0$ , $C_{LOAD} = 4.7nF$ , $50\Omega$		250	450	ns

# Internal-Switch Boost Regulator with Integrated 3-Channel Scan Driver for TFT LCDs

MAX8798

## ELECTRICAL CHARACTERISTICS (continued)

( $V_{IN} = V_{DD} = \overline{V_{SHDN}} = +3V$ , circuit of Figure 2,  $V_{BOOST} = 8V$ ,  $V_{GON} = 23V$ ,  $V_{GOFF} = -12V$ ,  $V_{POS} = 0$ ,  $V_{NEG} = 1.5V$ ,  $V_{OE} = V_{CPV} = V_{STV} = V_{OECON} = 0$ ,  $T_A = 0^{\circ}C$  to  $+85^{\circ}C$ , unless otherwise noted. Typical values are at  $T_A = +25^{\circ}C$ .)

PARAMETER	CONDITIONS	MIN	TYP	MAX	UNITS
Output Slew Rate CKV, CKVB	Without charge sharing, STV = $V_{DD}$ , $C_{LOAD} = 4.7nF$ , $50\Omega$	20	40		V/ $\mu s$
Propagation Delay Between STV and STVP	$C_{LOAD} = 4.7nF$		250	450	ns
STVP Output Slew Rate	$C_{LOAD} = 4.7nF$ , $50\Omega$	20	40		V/ $\mu s$
Charge-Sharing Discharge Path Resistance	CKV to CKVCS and CKVB to CKVBCS		250	400	$\Omega$
DISH Turn-On Threshold	Dish falling			-1.8	V
STV, CPV, OE Input Low Voltage				0.8	V
STV, CPV, OE Input High Voltage		1.6			V
OECON Input Low Voltage				1.5	V
OECON Input High Voltage		2.0			V
OECON Sink Current	$V_{OECON} = 5V = V_{DD}$	0.4	0.8		mA
STV, CPV, OE Input Current	$V_{STV} = V_{DD}$ or GND, $V_{CPV} = V_{DD}$ or GND, $V_{OE} = V_{DD}$ or GND, $V_{OECON} = V_{DD}$ or GND	-1		+1	$\mu A$
CKV, CKVB, STVP Output High-Impedance Current	$V_{CKV} = GON$ or GOFF, high impedance $V_{CKVB} = GON$ or GOFF, high impedance $V_{CKVCS} = GON$ or GOFF, high impedance $V_{CKVBCS} = GON$ or GOFF, high impedance $V_{STVP} = GON$ or GOFF, high impedance	-1		+1	$\mu A$
<b>CONTROL INPUTS</b>					
Input Low Voltage	$\overline{SHDN}$			0.6	V
Input High Voltage	$\overline{SHDN}$ , $1.8V < V_{IN} < 3.0V$	1.8			V
	$\overline{SHDN}$ , $3.0V < V_{IN} < 5.5V$	2.0			
$\overline{SHDN}$ Input Current	$V_{\overline{SHDN}} = 0$ or $3V$	-1		+1	$\mu A$

## ELECTRICAL CHARACTERISTICS

( $V_{IN} = V_{DD} = \overline{V_{SHDN}} = +3V$ , circuit of Figure 2,  $V_{BOOST} = 8V$ ,  $V_{GON} = 23V$ ,  $V_{GOFF} = -12V$ ,  $V_{POS} = 0$ ,  $V_{NEG} = 1.5V$ ,  $V_{OE} = V_{CPV} = V_{STV} = V_{OECON} = 0$ ,  $T_A = -40^{\circ}C$  to  $+85^{\circ}C$ , unless otherwise noted.) (Note 6)

PARAMETER	CONDITIONS	MIN	TYP	MAX	UNITS
$V_{DD}$ Input Voltage Range		1.8		4.0	V
$V_{DD}$ Quiescent Current	$V_{DD} = 3V$			10	$\mu A$
$V_{DD}$ Undervoltage Lockout	$V_{DD}$ rising; typical hysteresis 100mV			1.75	V
IN Input Voltage Range	(Note 1)	1.8		6.0	V
IN Quiescent Current	$V_{IN} = 3V$ , $V_{FB} = 1.5V$ , not switching			0.1	mA
IN Undervoltage Lockout	$V_{IN}$ rising; typical hysteresis 100mV			1.75	V

# Internal-Switch Boost Regulator with Integrated 3-Channel Scan Driver for TFT LCDs

## ELECTRICAL CHARACTERISTICS (continued)

( $V_{IN} = V_{DD} = V_{SHDN} = +3V$ , circuit of Figure 2,  $V_{BOOST} = 8V$ ,  $V_{GON} = 23V$ ,  $V_{GOFF} = -12V$ ,  $V_{POS} = 0$ ,  $V_{NEG} = 1.5V$ ,  $V_{OE} = V_{CPV} = V_{STV} = V_{OECON} = 0$ ,  $T_A = -40^{\circ}C$  to  $+85^{\circ}C$ , unless otherwise noted.) (Note 6)

PARAMETER	CONDITIONS	MIN	TYP	MAX	UNITS
<b>BOOTSTRAP LINEAR REGULATOR (VL)</b>					
VL Output Voltage	$I_{VL} = 100\mu A$	3.15		3.45	V
VL Undervoltage Lockout	$V_{VL}$ rising, typical hysteresis 100mV	2.4		3.0	V
<b>MAIN DC-DC CONVERTER</b>					
BOOST Supply Current	LX not switching, no load on VL			2	mA
	LX switching, no load on VL			4	
Operating Frequency		990		1350	kHz
Oscillator Maximum Duty Cycle		88		96	%
FB Regulation Voltage		1.216		1.254	V
FB Line Regulation	$V_{IN} = 1.8V$ to $5.5V$ , FB to COMP	-0.15		+0.15	%/V
FB Transconductance	$\Delta I = 5\mu A$ at COMP	70		280	$\mu S$
FB Fault-Timer Trip Threshold	Falling edge	0.96		1.04	V
LX On-Resistance	$I_{LX} = 1.2A$			300	m $\Omega$
LX Current Limit	Duty cycle = 65%	1.6		2.2	A
<b>OPERATIONAL AMPLIFIER</b>					
BOOST Supply Range		5		18	V
BOOST Overvoltage Fault Threshold	(Note 2)	18.1		19.9	V
BOOST Undervoltage Fault Threshold	(Note 3)			1.4	V
Input Offset Voltage	$1V < (V_{NEG}, V_{POS}) < (V_{BOOST} - 1V)$	-25		+25	mV
Input Common-Mode Voltage Range	$1V < (V_{NEG}, V_{POS}) < (V_{BOOST} - 1V)$	0		$V_{BOOST}$	V
VCOM Output-Voltage Swing High	$I_{VCOM} = 5mA$	$V_{BOOST} - 100$			mV
VCOM Output-Voltage Swing Low	$I_{VCOM} = -5mA$			100	mV
VCOM Short-Circuit Current	Short to $V_{BOOST}/2$ , sourcing	50			mA
	Short to $V_{BOOST}/2$ , sinking	50			
<b>PROGRAMMABLE VCOM CALIBRATOR</b>					
GON Input Range		16.1		45.0	V
GON Threshold to Enable Program	Rising edge, 60mV hysteresis			16.0	V
SET Voltage Resolution		7			Bits
SET Differential Nonlinearity	Monotonic overtemperature	-2		+2	LSB
SET Zero-Scale Error		-1		+2	LSB
SET Full-Scale Error		-3		+3	LSB
SET Current				120	$\mu A$
SET External Resistance (Note 4)	To GND, $V_{BOOST} = 18V$	8.5		170.0	k $\Omega$
	To GND, $V_{BOOST} = 6V$	2.5		50.0	
OUT Voltage Range		$V_{SET} + 0.5V$		18	V
EEPROM Write Cycles	(Note 5)	1000			—

# Internal-Switch Boost Regulator with Integrated 3-Channel Scan Driver for TFT LCDs

MAX8798

## ELECTRICAL CHARACTERISTICS (continued)

( $V_{IN} = V_{DD} = \overline{V_{SHDN}} = +3V$ , circuit of Figure 2,  $V_{BOOST} = 8V$ ,  $V_{GON} = 23V$ ,  $V_{GOFF} = -12V$ ,  $V_{POS} = 0$ ,  $V_{NEG} = 1.5V$ ,  $V_{OE} = V_{CPV} = V_{STV} = V_{OECON} = 0$ ,  $T_A = -40^{\circ}C$  to  $+85^{\circ}C$ , unless otherwise noted.) (Note 6)

PARAMETER	CONDITIONS	MIN	TYP	MAX	UNITS
<b>2-WIRE INTERFACE</b>					
Logic-Input Low Voltage ( $V_{IL}$ )	SDA, SCL, WPN, $V_{DD} = 3V$			$0.3 \times V_{DD}$	V
Logic-Input High Voltage ( $V_{IH}$ )	SDA, SCL, WPN, $V_{DD} = 3V$	$0.7 \times V_{DD}$			V
WPP Logic-Output Low Voltage	$I_{WPP} = 1mA$			+0.1	V
WPP Logic-Output High Voltage	$I_{WPP} = -1mA$	$V_{DD} - 0.1$			V
SDA Logic-Output Low Sink Current	SDA forced to 3.3V	6			mA
SCL Frequency ( $f_{CLK}$ )		DC		500	kHz
SCL High Time ( $t_{CLH}$ )		600			ns
SCL Low Time ( $t_{CLL}$ )		1300			ns
SDA, SCLS, and SCL Rise Time ( $t_{r}$ )	$C_{BUS}$ = total capacitance of bus line in pF	$20 + 10 \times C_{BUS}$		300	ns
SDA, SCLS, and SCL Fall Time ( $t_{f}$ )	$C_{BUS}$ = total capacitance of bus line in pF	$20 + 10 \times C_{BUS}$		300	ns
START Condition Hold Time ( $t_{HDSTT}$ )	10% of SDA to 90% of SCL	600			ns
START Condition Setup Time ( $t_{SVSTT}$ )		600			ns
Data Input Hold Time ( $t_{HDDAT}$ )		0			ns
Data Input Setup Time ( $t_{SUDAT}$ )		150			ns
STOP Condition Setup Time ( $t_{SVSTP}$ )		600			ns
Bus Free Time ( $t_{UF}$ )		1300			ns
Input Filter Spike Suppression ( $t_{SP}$ )	SDA, SCL (Note 5)			250	ns
SCL-SCLS Switch Resistance	WPN = GND	1			M $\Omega$
	WPN = $V_{DD}$			50	$\Omega$
<b>HIGH-VOLTAGE SCAN DRIVER</b>					
GON Input Voltage Range		12		45	V
GOFF Input Voltage Range		-25		-2	V
GON to GOFF	$V_{GON} - V_{GOFF}$			65	V
GON Supply Current	STV, CPV, OE, OECON = AGND			350	$\mu A$
GOFF Supply Current	STV, CPV, OE, OECON = AGND			200	$\mu A$
Output-Voltage Low	CKV, CKVB, STVP, -5mA output current	$V_{GOFF} + 0.2$			V
Output-Voltage High	CKV, CKVB, STVP, 5mA output current			$V_{GON} - 0.2$	V

# Internal-Switch Boost Regulator with Integrated 3-Channel Scan Driver for TFT LCDs

## ELECTRICAL CHARACTERISTICS (continued)

( $V_{IN} = V_{DD} = \overline{V_{SHDN}} = +3V$ , circuit of Figure 2,  $V_{BOOST} = 8V$ ,  $V_{GON} = 23V$ ,  $V_{GOFF} = -12V$ ,  $V_{POS} = 0$ ,  $V_{NEG} = 1.5V$ ,  $V_{OE} = V_{CPV} = V_{STV} = V_{OECON} = 0$ ,  $T_A = -40^{\circ}C$  to  $+85^{\circ}C$ , unless otherwise noted.) (Note 6)

PARAMETER	CONDITIONS	MIN	TYP	MAX	UNITS
Propagation Delay Between OE Rising Edge and CKV/CKVB Edge	$V_{CPV} = 0$ , $V_{STV} = 0$ , $C_{LOAD} = 4.7nF$ , $50\Omega$			450	ns
Output Slew Rate CKV, CKVB	Without charge sharing, $STV = V_{DD}$ , $C_{LOAD} = 4.7nF$ , $50\Omega$	20			V/ $\mu$ s
Propagation Delay Between STV and STVP	$C_{LOAD} = 4.7nF$			450	ns
STVP Output Slew Rate	$C_{LOAD} = 4.7nF$ , $50\Omega$	20			V/ $\mu$ s
Charge-Sharing Discharge Path Resistance	CKV to CKVCS and CKVB to CKVBCS			400	$\Omega$
DISH Turn-On Threshold	Dish falling			-1.8	V
STV, CPV, OE Input Low Voltage				0.8	V
STV, CPV, OE Input High Voltage		1.6			V
OECON Input Low Voltage				1.5	V
OECON Input High Voltage		2.0			V
OECON Sink Current	$OECON = STV = V_{DD}$	0.4			mA
<b>CONTROL INPUTS</b>					
Input Low Voltage	$\overline{SHDN}$			0.6	V
Input High Voltage	$\overline{SHDN}$ , $1.8V < V_{IN} < 3.0V$	1.8			V
	$\overline{SHDN}$ , $3.0V < V_{IN} < 5.5V$	2.0			

**Note 1:** For  $5.5V < V_{IN} < 6.0V$ , use the MAX8798 for no longer than 1% of IC lifetime. For continuous operation, the input voltage should not exceed 5.5V.

**Note 2:** Inhibits boost switching if  $V_{BOOST}$  exceeds the threshold This fault is not latched.

**Note 3:** Step-up regulator switching is not enabled until BOOST is above undervoltage threshold.

**Note 4:** SET external resistor range is verified at DAC full scale.

**Note 5:** Guaranteed by design, not production tested.

**Note 6:**  $-40^{\circ}C$  specs are guaranteed by design, not production tested.

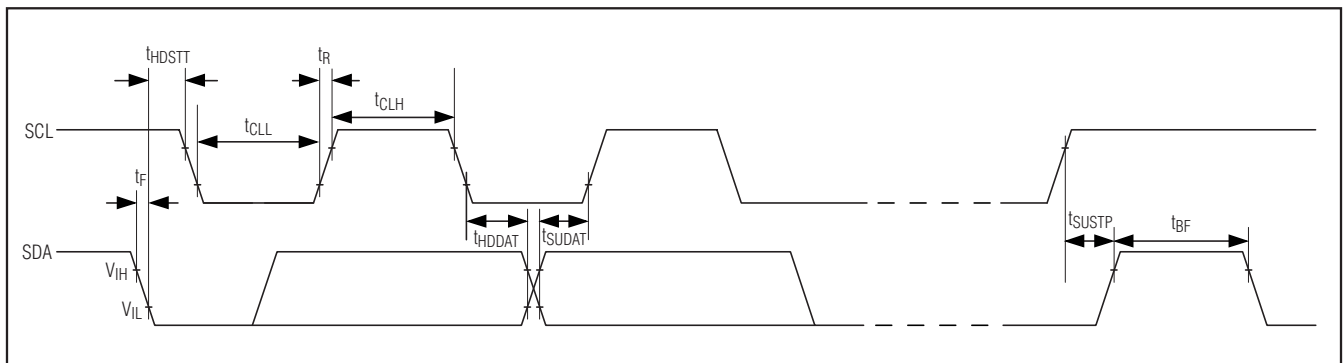


Figure 1. Timing Definitions Used in the Electrical Characteristics

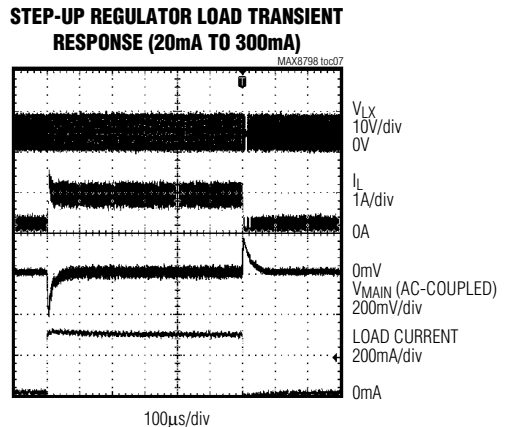
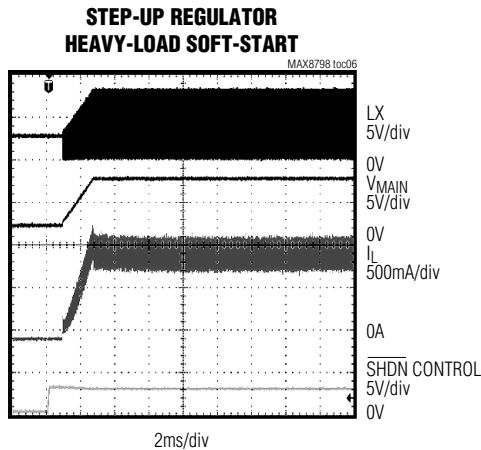
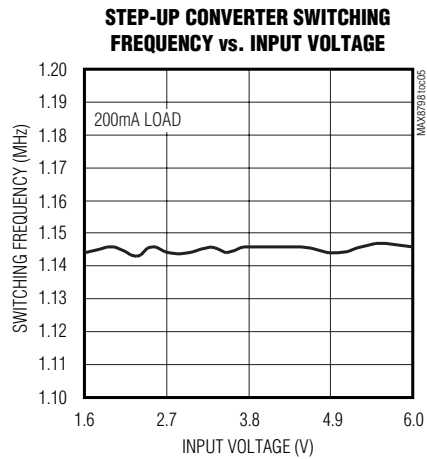
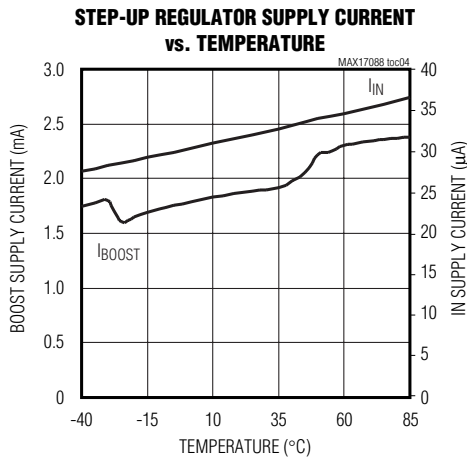
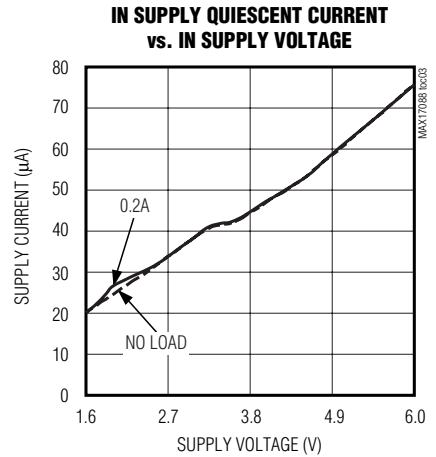
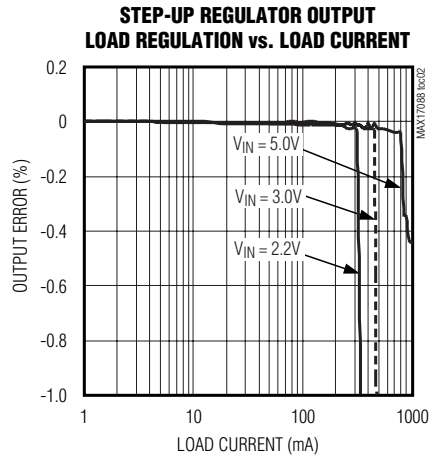
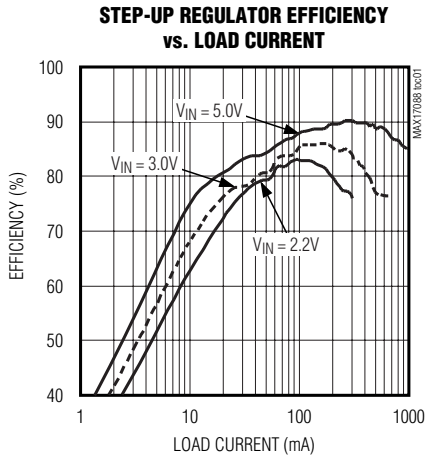


# Internal-Switch Boost Regulator with Integrated 3-Channel Scan Driver for TFT LCDs

## Typical Operating Characteristics

(Circuit of Figure 2,  $V_{IN} = 3V$ ,  $T_A = +25^\circ C$ , unless otherwise noted.)

MAX8798



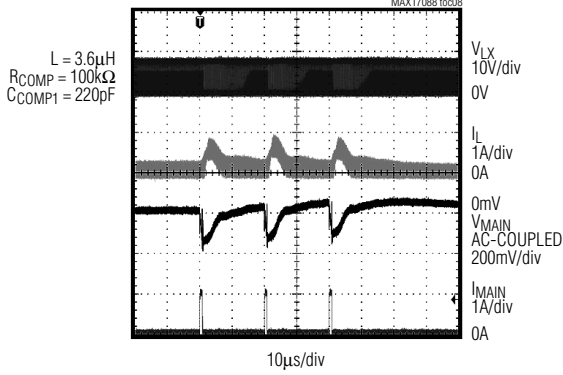
$L = 3.6\mu H$   
 $R_{COMP} = 100k\Omega$   
 $C_{COMP1} = 220pF$

# Internal-Switch Boost Regulator with Integrated 3-Channel Scan Driver for TFT LCDs

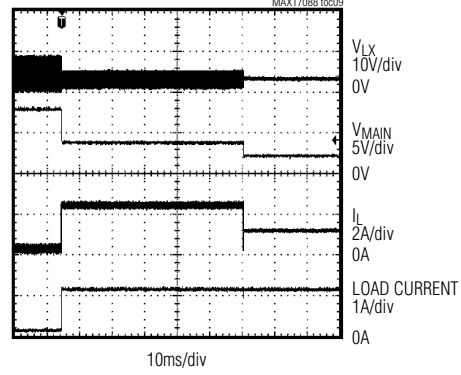
## Typical Operating Characteristics (continued)

(Circuit of Figure 2,  $V_{IN} = 3V$ ,  $T_A = +25^\circ C$ , unless otherwise noted.)

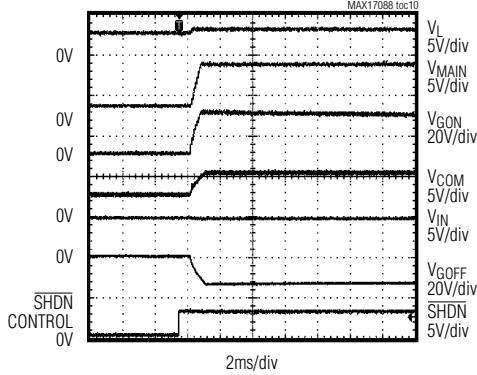
**STEP-UP REGULATOR PULSED LOAD TRANSIENT RESPONSE (20mA TO 1A)**



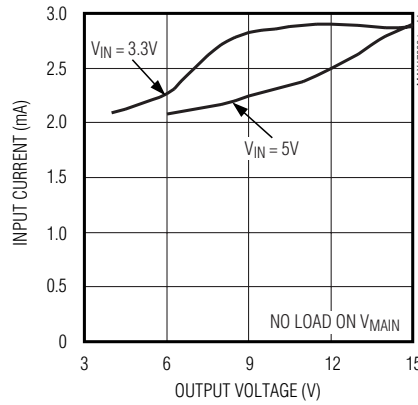
**TIMER-DELAY LATCH RESPONSE TO OVERLOAD**



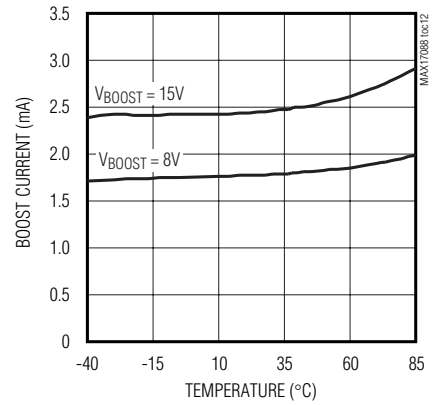
**POWER-UP SEQUENCE OF ALL SUPPLY OUTPUTS**



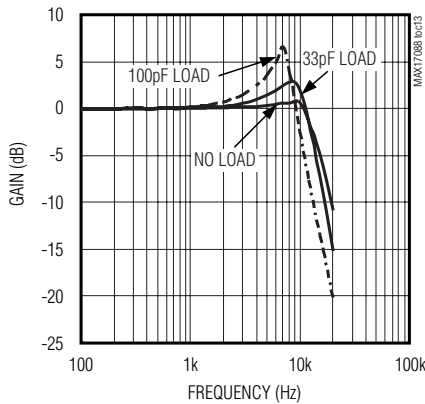
**BOOST SUPPLY CURRENT vs. BOOST SUPPLY VOLTAGE**



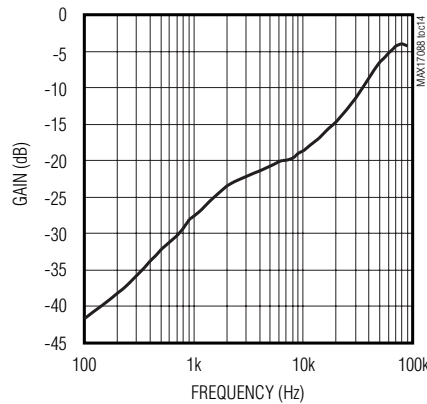
**BOOST SUPPLY CURRENT vs. TEMPERATURE**



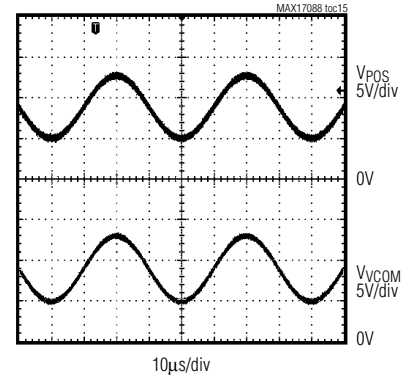
**OPERATIONAL AMPLIFIER FREQUENCY RESPONSE**



**OPERATIONAL AMPLIFIER PSRR vs. FREQUENCY**



**OPERATIONAL AMPLIFIER RAIL-TO-RAIL INPUT/OUTPUT WAVEFORMS**



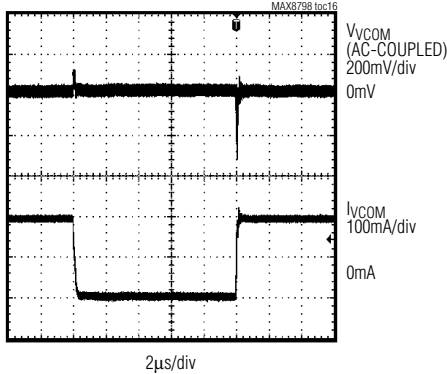
# Internal-Switch Boost Regulator with Integrated 3-Channel Scan Driver for TFT LCDs

## Typical Operating Characteristics (continued)

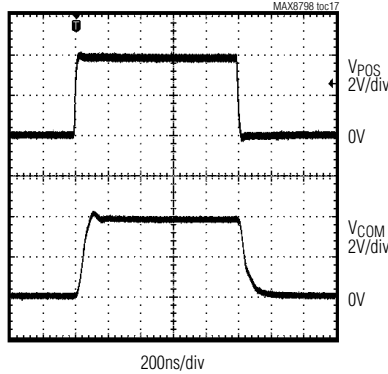
(Circuit of Figure 2,  $V_{IN} = 3V$ ,  $T_A = +25^\circ C$ , unless otherwise noted.)

MAX8798

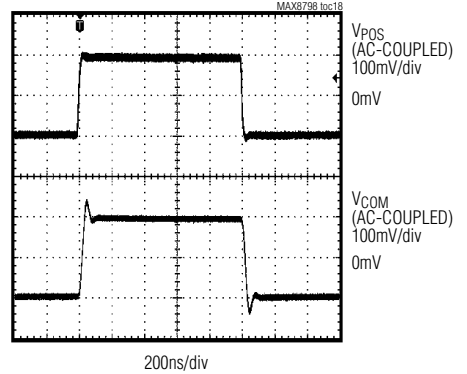
**OPERATIONAL AMPLIFIER  
LOAD TRANSIENT RESPONSE**



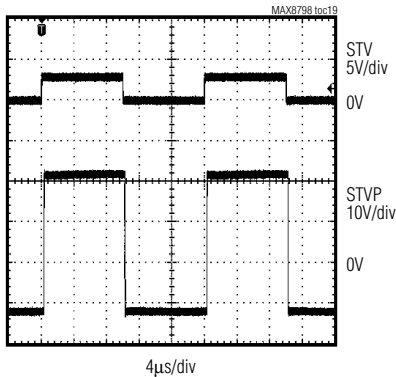
**OPERATIONAL AMPLIFIER  
LARGE-SIGNAL STEP RESPONSE**



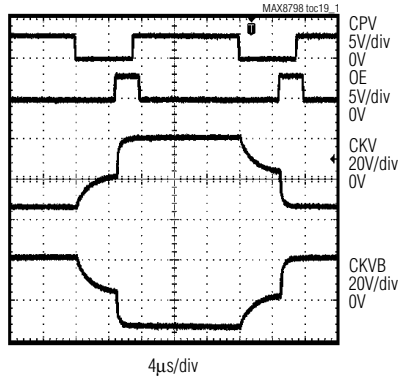
**OPERATIONAL AMPLIFIER  
SMALL-SIGNAL STEP RESPONSE**



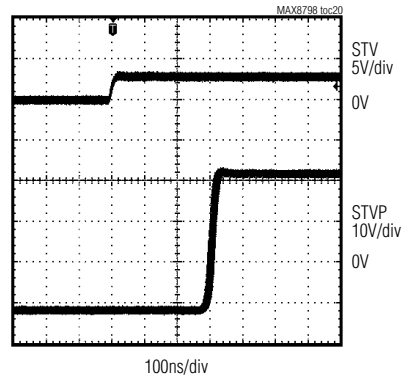
**STV/STVP INPUT/OUTPUT  
WAVEFORMS WITH LOGIC INPUT**



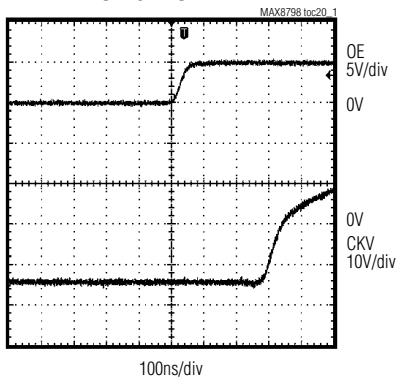
**CPV AND OE/CKV AND CKVB INPUT/OUTPUT  
WAVEFORMS WITH LOGIC INPUT  
(STV = 0V,  $C_{LOAD} = 5.0nF$  AND  $50\Omega$ ,  $R_1, R_2 = 200\Omega$ )**



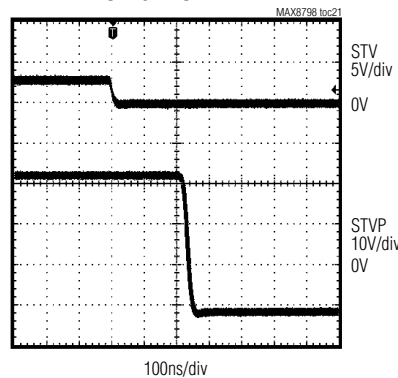
**STV RISING EDGE  
PROPAGATION DELAY**



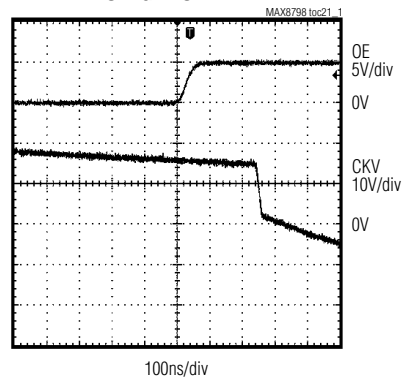
**OE/CKV RISING EDGE  
PROPAGATION DELAY**



**STV FALLING EDGE  
PROPAGATION DELAY**



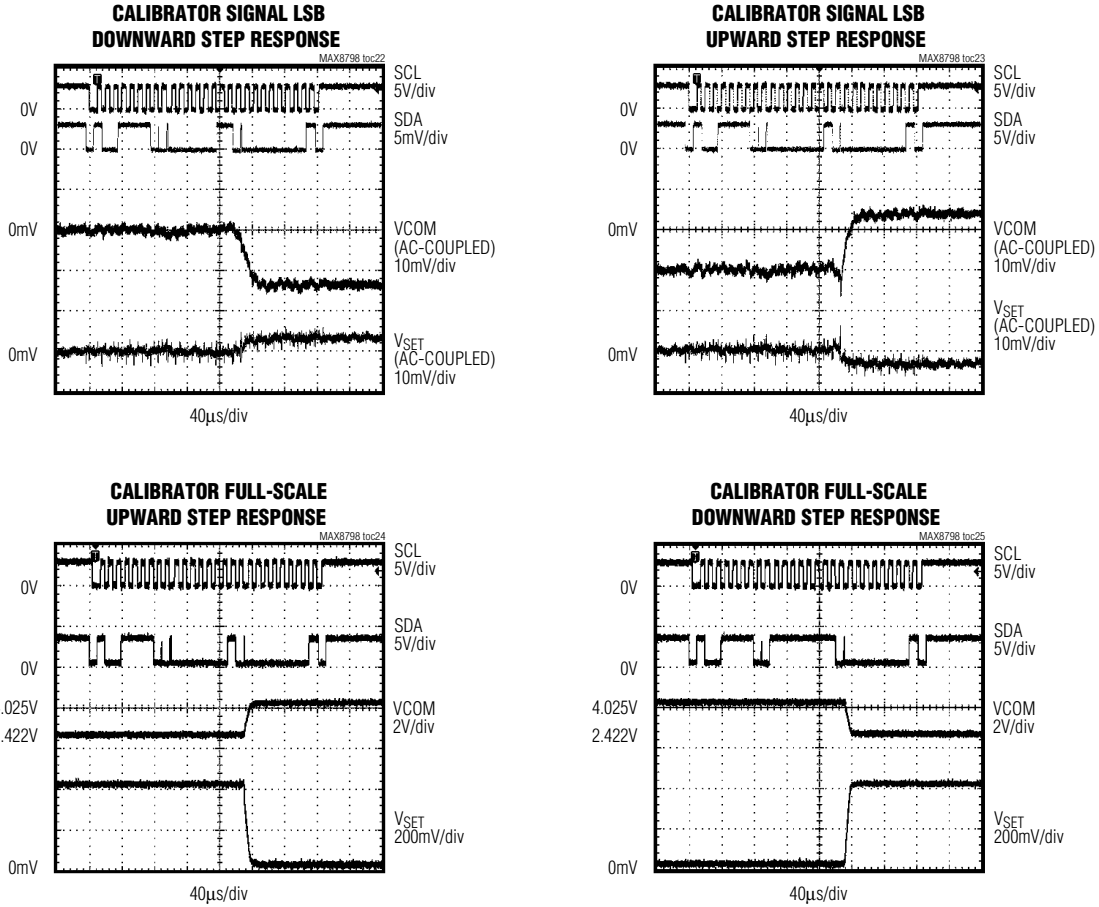
**OE/CKV FALLING EDGE  
PROPAGATION DELAY**



# Internal-Switch Boost Regulator with Integrated 3-Channel Scan Driver for TFT LCDs

## Typical Operating Characteristics (continued)

(Circuit of Figure 2,  $V_{IN} = 3V$ ,  $T_A = +25^\circ C$ , unless otherwise noted.)



# Internal-Switch Boost Regulator with Integrated 3-Channel Scan Driver for TFT LCDs

## Pin Description

PIN	NAME	FUNCTION
1	CKV	High-Voltage, Gate-Pulse Output. When enabled, CKV toggles between its high state (connected to GON) and its low state (connected to GOFF) on each falling edge of the CPV input. Further, CKV is high impedance whenever CPV and OE are both low or whenever CPV is low and OECON is high.
2	CKVCS	CKV Charge-Sharing Connection. CKVCS connects to CKV whenever CKV is high impedance to allow connection to CKVB, sharing charge between the capacitive loads on these two outputs.
3	CKVBCS	CKVB Charge-Sharing Connection. CKVBCS connects to CKVB whenever CKVB is high impedance to allow connection to CKV, sharing charge between the capacitive loads on these two outputs.
4	CKVB	High-Voltage, Gate-Pulse Output. CKVB is the inverse of CKV during active states and is high impedance whenever CKV is high impedance.
5	STVP	High-Voltage, Start-Pulse Output. STVP is low (connected to GOFF) whenever STV is low and is high (connected to GON) only when STV is high and CPV and OE are both low. When STV is high and either CPV or OE is high, STVP is high impedance.
6	STV	Vertical Sync Input. The rising edge of STV begins a frame of data. The STV input is used to generate the high-voltage STVP output.
7	OECON	Active-Low, Output-Enable Timing Input. OECON is driven by an RC-filtered version of the OE input signal. If OE remains high long enough for the resistor to charge the capacitor up to the OECON threshold, the OE signal is masked until OE goes low and the capacitor is discharged below the threshold through the resistor.
8	OE	Active-High, Gate-Pulse Output Enable. CKV and CKVB leave the high-impedance charge-sharing state on the rising edge of OE.
9	CPV	Vertical Clock-Pulse Input. CPV controls the timing of the CKV and CKVB outputs that change state (by first sharing charge) on its falling edge.
10	GND	Logic Ground
11	DISH	GOFF Discharge Input. Pulling DISH below ground activates an internal connection between GOFF and GND, rapidly discharging the GOFF supply. Typically, DISH is capacitively connected to IN, so that when $V_{IN}$ falls GOFF is discharged.
12	VDD	Supply Input. Logic supply input for the VCOM calibrator. Bypass to GND through a minimum 0.1 $\mu$ F capacitor.
13	WPN	Active-Low, Write-Protect Input. When WPN is low, I <sup>2</sup> C commands are ignored and the VCOM calibrator settings cannot be modified.
14	SCLS	Alternate I <sup>2</sup> C-Compatible Clock Input. When WPN is high, SCLS connects to SCL to drive SCL from an alternate clock source.
15	SCL	I <sup>2</sup> C-Compatible Clock Input and Output
16	SDA	I <sup>2</sup> C-Compatible Serial Bidirectional Data Line
17	WPP	Write-Protect Output. WPP is the inverse of WPN. It can be used to control active-high, write-protect inputs on other devices.
18	SET	Full-Scale, Sink-Current Adjustment Input. Connect a resistor, R <sub>SET</sub> , from SET to GND to set the full-scale adjustable sink current that is $V_{BOOST} / (20 \times R_{SET})$ . I <sub>OUT</sub> is equal to the current through R <sub>SET</sub> .
19	VL	3.3V On-Chip Regulator Output. This regulator powers internal analog circuitry for the step-up regulator, op amp, and VCOM calibrator. External loads up to 10mA can be powered. Bypass VL to GND with a 0.22 $\mu$ F or greater ceramic capacitor.

MAX8798

# Internal-Switch Boost Regulator with Integrated 3-Channel Scan Driver for TFT LCDs

## Pin Description (continued)

PIN	NAME	FUNCTION
20	BGND	Amplifier Ground
21	BOOST	Operational Amplifier Supply Input. Connect to V <sub>MAIN</sub> (Figure 2) and bypass to BGND with a 1μF or greater ceramic capacitor.
22	OUT	Adjustable Sink-Current Output. OUT connects to the resistive voltage-divider at the op amp input POS (between BOOST and GND) that determines the VCOM output voltage. I <sub>OUT</sub> lowers the divider voltage by a programmable amount.
23	POS	Operational Amplifier Noninverting Input
24	NEG	Operational Amplifier Inverting Input
25	VCOM	Operational Amplifier Output
26	$\overline{\text{SHDN}}$	Shutdown Control Input. Pull $\overline{\text{SHDN}}$ low to disable the step-up regulator. The VCOM calibrator, op amp, and scan driver functions remain enabled.
27	IN	Step-Up Regulator Supply Input. Bypass IN to AGND (pin 34) with a 1μF or greater ceramic capacitor.
28, 29	LX	Switching Node. Connect inductor/catch diode here and minimize trace area for lowest EMI.
30, 31	PGND	Power Ground. Source connection of the internal step-up regulator power switch.
32	FB	Feedback Input. Reference voltage is 1.24V nominal. Connect external resistor-divider midpoint here and minimize trace area. Set V <sub>OUT</sub> according to: $V_{\text{OUT}} = 1.24V (1 + R1/R2)$ .
33	COMP	Compensation Input for Error Amplifier. Connect a series RC from COMP to AGND. Typical values are 180kΩ and 470pF.
34	AGND	Ground
35	GOFF	Gate-Off Supply. GOFF is the negative supply voltage for the CKV, CKVB, and STVP high-voltage driver outputs. Bypass to PGND with a minimum of 0.1μF ceramic capacitor.
36	GON	Gate-On Supply. GON is the positive supply voltage for the CKV, CKVB, and STVP high-voltage driver outputs. Bypass to V <sub>MAIN</sub> or PGND with a minimum of 0.1μF ceramic capacitor.
—	EP	Exposed Backside Pad. Connect to the analog ground plane through multiple vias to enhance thermal performance.

# Internal-Switch Boost Regulator with Integrated 3-Channel Scan Driver for TFT LCDs

MAX8798

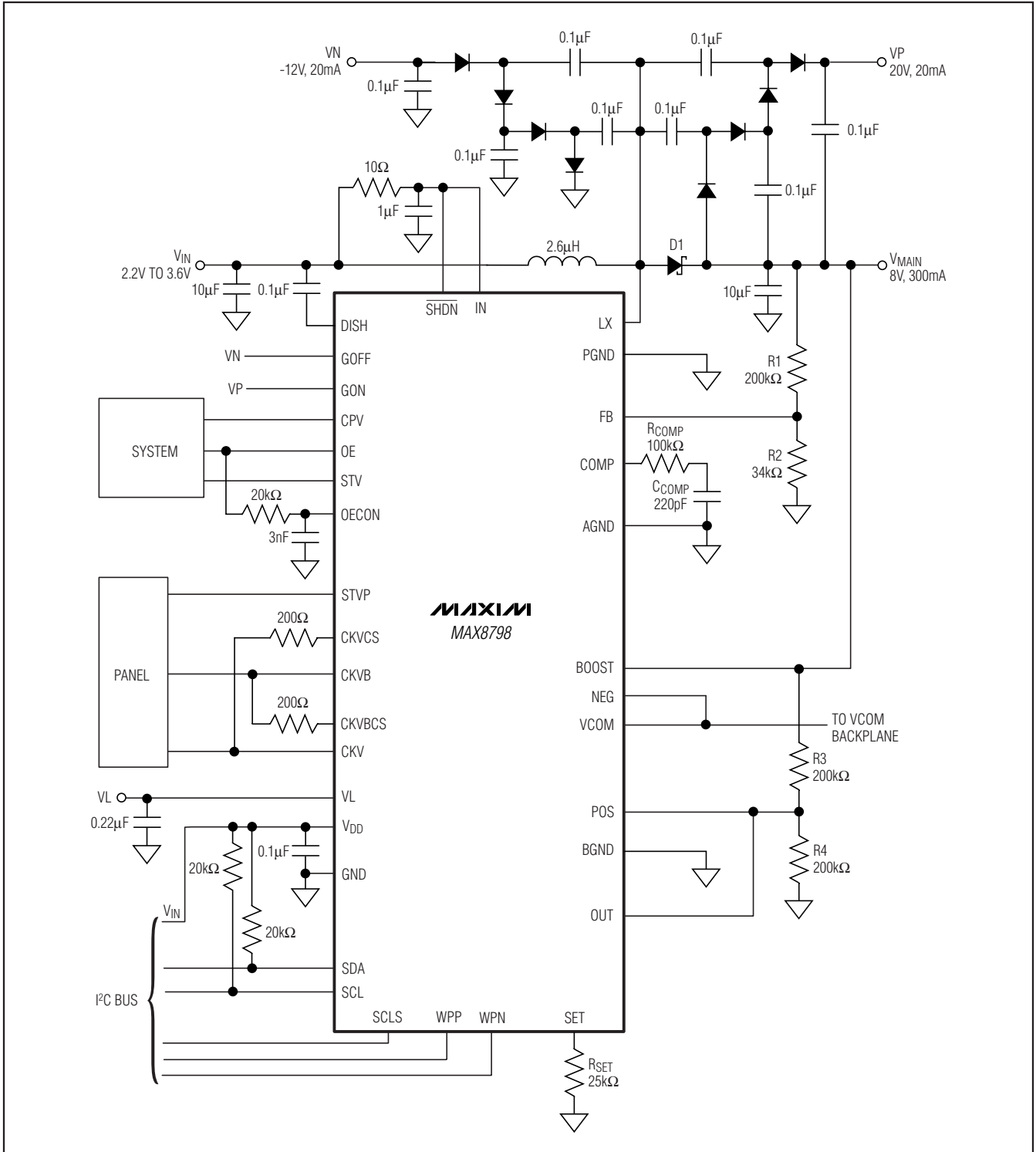


Figure 2. MAX8798 Typical Operating Circuit

# Internal-Switch Boost Regulator with Integrated 3-Channel Scan Driver for TFT LCDs

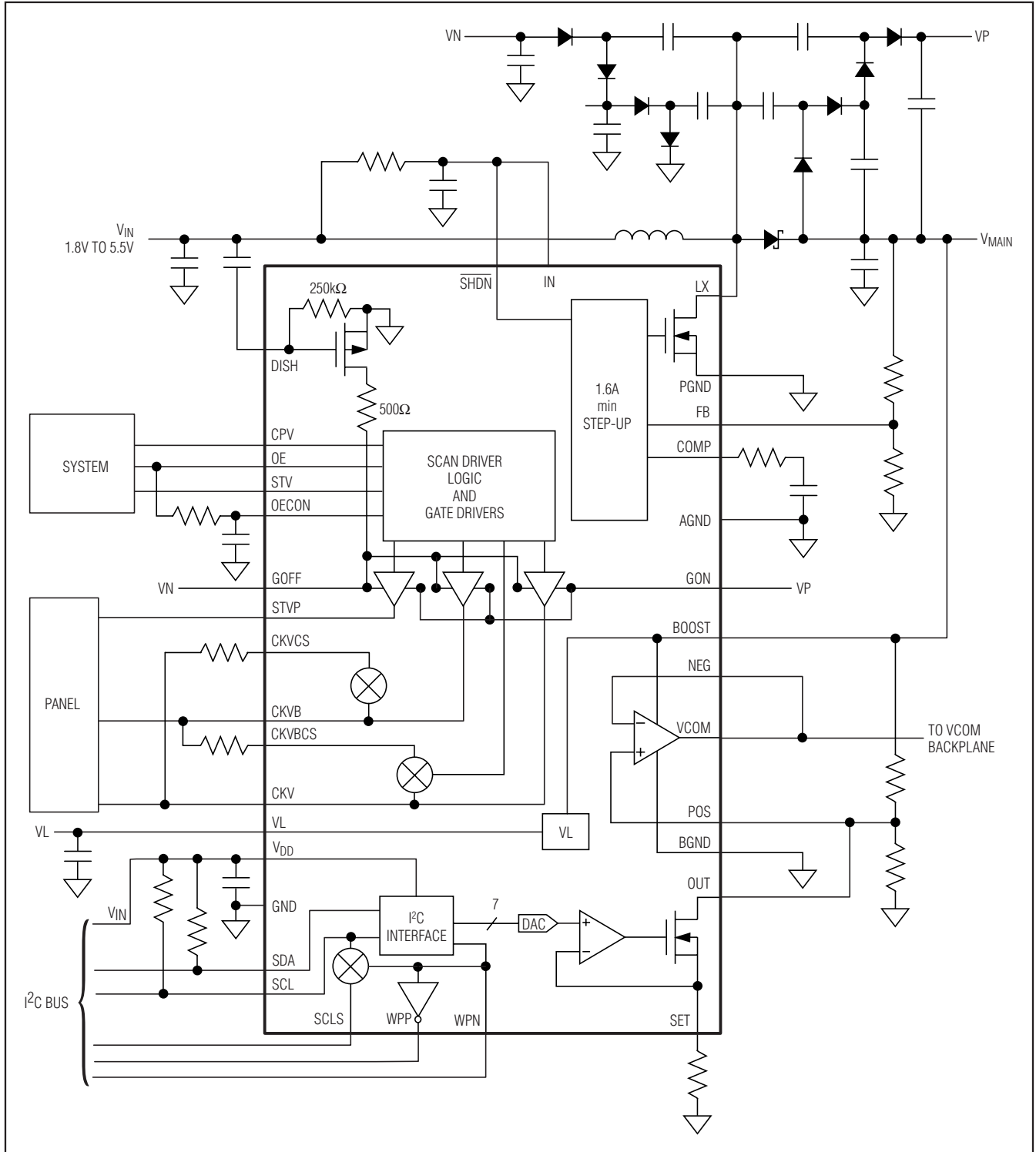


Figure 3. MAX8798 Functional Diagram



# Internal-Switch Boost Regulator with Integrated 3-Channel Scan Driver for TFT LCDs

## Typical Application Circuit

The MAX8798 typical application circuit (Figure 2) generates a +8V source-driver supply and approximately +20V and -12V gate-driver supplies for TFT displays. The input-voltage range for the IC is from +1.8V to +5.5V; however, the Figure 2 circuit is designed to operate from 2.2V to 3.6V. Table 1 lists recommended components and Table 2 lists contact information of component suppliers.

**Table 1. Component List**

DESIGNATION	DESCRIPTION
C1	10 $\mu$ F, 6.3V X5R ceramic capacitor (1206) TDK C3216X5ROJ106M
C21, C22	4.7 $\mu$ F, 10V X5R ceramic capacitors (1206) TDK C3216X5R1A475M
D1	3A, 30V Schottky diode (M-flat) Toshiba CMS02
D2–D5	200mA, 100V, dual, ultra-fast diodes (SOT23) Fairchild MMBD4148SE
L1	3.6 $\mu$ H, 1.8A inductor Sumida CM0611BHPNP-3R6MC

## Detailed Description

The MAX8798 contains a high-performance step-up switching regulator; one high-speed operational amplifier; one three-channel, high-voltage level-shifting scan driver for active-matrix TFT LCDs; and an I<sup>2</sup>C-controlled VCOM calibrator. Figure 3 shows the MAX8798 functional diagram.

### Step-Up Regulator

The step-up regulator employs a current-mode, fixed-frequency PWM architecture to maximize loop bandwidth and provide fast transient response to pulsed loads found in source drivers of TFT LCD panels. The high switching frequency (1.2MHz) allows the use of low-profile inductors and ceramic capacitors to minimize the thickness of LCD panel designs. The integrated high-efficiency MOSFET and the IC's built-in digital soft-start functions reduce the number of external components required while controlling inrush current. The output voltage can be set from  $V_{IN}$  to 18V with an external resistive voltage-divider.

The regulator controls the output voltage and the power delivered to the output by modulating the duty cycle (D) of the internal power MOSFET in each switching cycle. The duty cycle of the MOSFET is approximated by:

$$D \approx \frac{V_{MAIN} - V_{IN}}{V_{MAIN}}$$

**Table 2. Component Suppliers**

SUPPLIER	PHONE	FAX	WEBSITE
Fairchild Semiconductor	408-822-2000	408-822-2102	www.fairchildsemi.com
Sumida Corp.	847-545-6700	847-545-6720	www.sumida.com
TDK Corp.	847-803-6100	847-390-4405	www.component.tdk.com
Toshiba American Electronic Components, Inc.	949-455-2000	949-859-3963	www.toshibaamerica.com/taec

# Internal-Switch Boost Regulator with Integrated 3-Channel Scan Driver for TFT LCDs

Figure 4 shows the block diagram of the step-up regulator. An error amplifier compares the signal at FB to 1.24V and changes the COMP output. The voltage at COMP determines the current trip point each time the internal MOSFET turns on. As the load varies, the error amplifier sources or sinks current to the COMP output accordingly to produce the inductor peak current necessary to service the load. To maintain stability at high duty cycles, a slope-compensation signal is summed with the current-sense signal.

On the rising edge of the internal clock, the controller sets a flip-flop, turning on the n-channel MOSFET and applying the input voltage across the inductor. The current through the inductor ramps up linearly, storing energy in its magnetic field. Once the sum of the current-feedback signal and the slope compensation exceed the COMP voltage, the controller resets the flip-flop and turns off the MOSFET. Since the inductor current is continuous, a transverse potential develops across the inductor that turns on the diode (D1). The

voltage across the inductor then becomes the difference between the output voltage and the input voltage. This discharge condition forces the current through the inductor to ramp back down, transferring the energy stored in the magnetic field to the output capacitor and the load. The MOSFET remains off for the rest of the clock cycle.

## Undervoltage Lockout (UVLO)

The undervoltage lockout (UVLO) circuit compares the input voltage at IN with the UVLO threshold (1.3V rising and 1.2V falling) to ensure that the input voltage is high enough for reliable operation. The 100mV (typ) hysteresis prevents supply transients from causing a restart. Once the input voltage exceeds the UVLO rising threshold, startup begins. When the input voltage falls below the UVLO falling threshold, the controller turns off the main step-up regulator and the linear regulator, disables the switch-control block, and the operational amplifier output becomes high impedance.

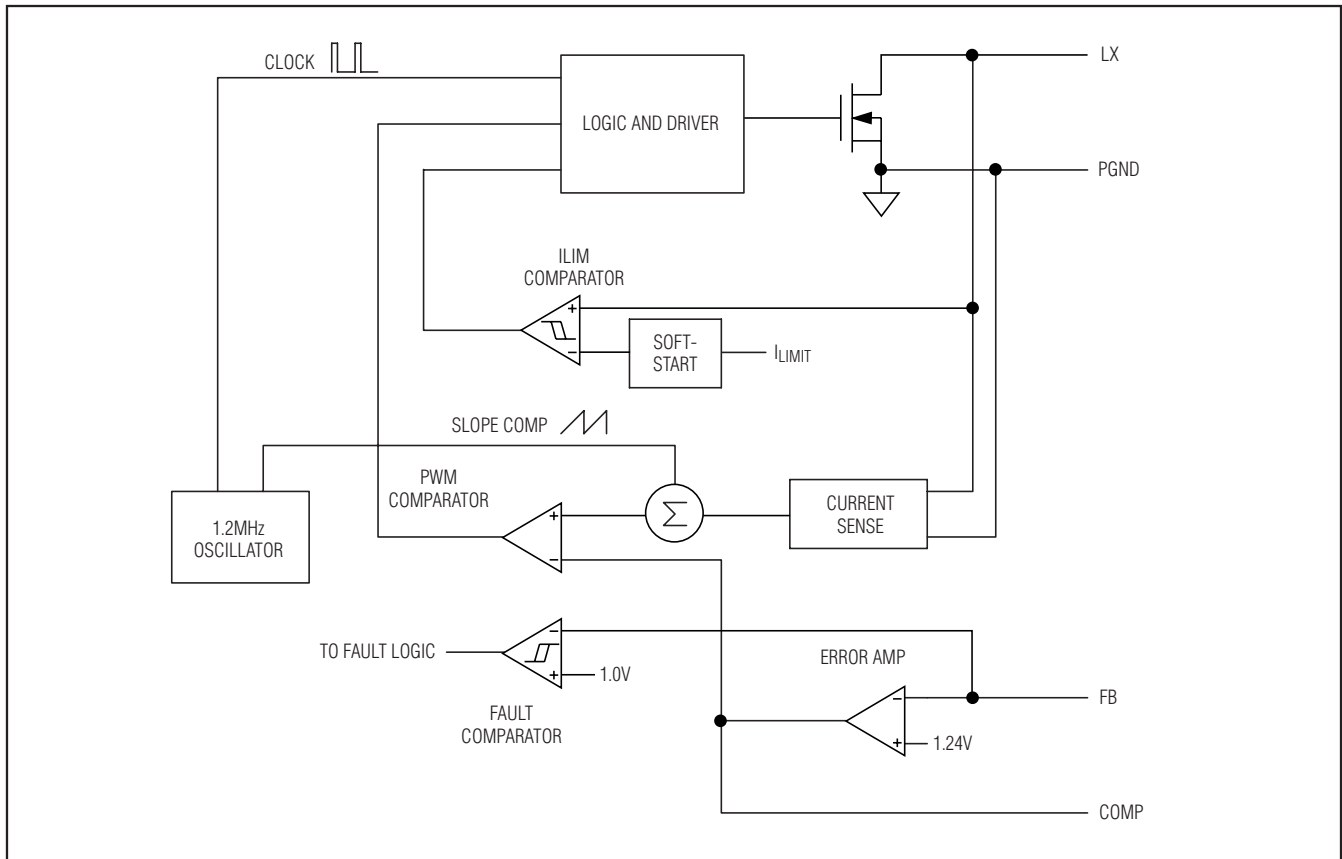


Figure 4. Step-Up Regulator Block Diagram

# Internal-Switch Boost Regulator with Integrated 3-Channel Scan Driver for TFT LCDs

## Linear Regulator (VL)

The MAX8798 includes an internal 3.3V linear regulator. BOOST is the input of the linear regulator. The input voltage range is between 5V and 18V. The regulator powers all the internal circuitry including the MOSFET gate driver. Bypass VL to AGND with a 0.22 $\mu$ F or greater ceramic capacitor. Connect BOOST directly to the output of the step-up regulator. This feature significantly improves the efficiency at low input voltages.

## Bootstrapping and Soft-Start

The MAX8798 features bootstrapping operation. In normal operation, the internal linear regulator supplies power to the internal circuitry. Connect the input of the linear regulator (BOOST) directly to the output of the step-up regulator. The MAX8798 is enabled when the voltages at IN and BOOST are above their UVLO thresholds and the fault latch is not set. After being enabled, the regulator starts open-loop switching to generate the supply voltage for the linear regulator. The internal reference block turns on when the VL voltage exceeds its 2.7V (typ). When the reference voltage reaches regulation, the PWM controller and the current-limit circuit are enabled and the step-up regulator enters soft-start. During soft-start, the main step-up regulator directly limits the peak inductor current, allowing from zero up to the full current-limit value in 128 equal current steps. The maximum load current is available after the output voltage reaches regulation (that terminates soft-start), or after the soft-start timer expires in approximately 3ms. The soft-start routine minimizes inrush current and voltage overshoot and ensures a well-defined startup behavior.

## Fault Protection

During steady-state operation, the MAX8798 monitors the FB voltage. If the FB voltage does not exceed 1V (typ), the MAX8798 activates an internal fault timer. If there is a continuous fault for the fault-timer duration, the MAX8798 sets the fault latch, turning off the main step-up regulator and the linear regulator, disabling the switch-control block and the operational amplifier. Once the fault condition is removed, cycle the input voltage to clear the fault latch and reactivate the device. The fault-detection circuit is disabled during the soft-start time.

The MAX8798 monitors BOOST for undervoltage and overvoltage conditions. If the BOOST voltage is below 1.4V (typ) or above 19V (typ), the MAX8798 disables the gate driver of the step-up regulator and prevents the internal MOSFET from switching. The BOOST undervoltage and overvoltage conditions do not set the fault latch.

## Operational Amplifier

The MAX8798 has an operational amplifier that is typically used to drive the LCD backplane (VCOM) or the gamma-correction-divider string. The operational amplifier features  $\pm 150$ mA output short-circuit current, 40V/ $\mu$ s slew rate, and 20MHz bandwidth. While the op amp is a rail-to-rail input and output design, its accuracy is significantly degraded for input voltages within 1V of its supply rails (BOOST and BGND).

## Short-Circuit Current Limit

The operational amplifier limits short-circuit current to approximately  $\pm 150$ mA if the output is directly shorted to BOOST or to AGND. If the short-circuit condition persists, the junction temperature of the IC rises until it reaches the thermal-shutdown threshold (+160°C typ). Once the junction temperature reaches the thermal-shutdown threshold, an internal thermal sensor immediately sets the thermal-fault latch, shutting off the main step-up regulator, the linear regulator, the switch-control block, and the operational amplifier. Those portions of the device remain inactive until the input voltage is cycled.

## Driving Pure Capacitive Loads

The operational amplifier is typically used to drive the LCD backplane (VCOM) or the gamma-correction-divider string. The LCD backplane consists of a distributed series capacitance and resistance, a load that can be easily driven by the operational amplifier. However, if the operational amplifier is used in an application with a pure capacitive load, steps must be taken to ensure stable operation.

As the operational amplifier's capacitive load increases, the amplifier's bandwidth decreases and gain peaking increases. A 5 $\Omega$  to 50 $\Omega$  small resistor placed between VCOM and the capacitive load reduces peaking, but also reduces the gain. An alternative method of reducing peaking is to place a series RC network (snubber) in parallel with the capacitive load. The RC network does not continuously load the output or reduce the gain. Typical values of the resistor are between 100 $\Omega$  and 200 $\Omega$  and the typical value of the capacitor is 10pF.

# Internal-Switch Boost Regulator with Integrated 3-Channel Scan Driver for TFT LCDs

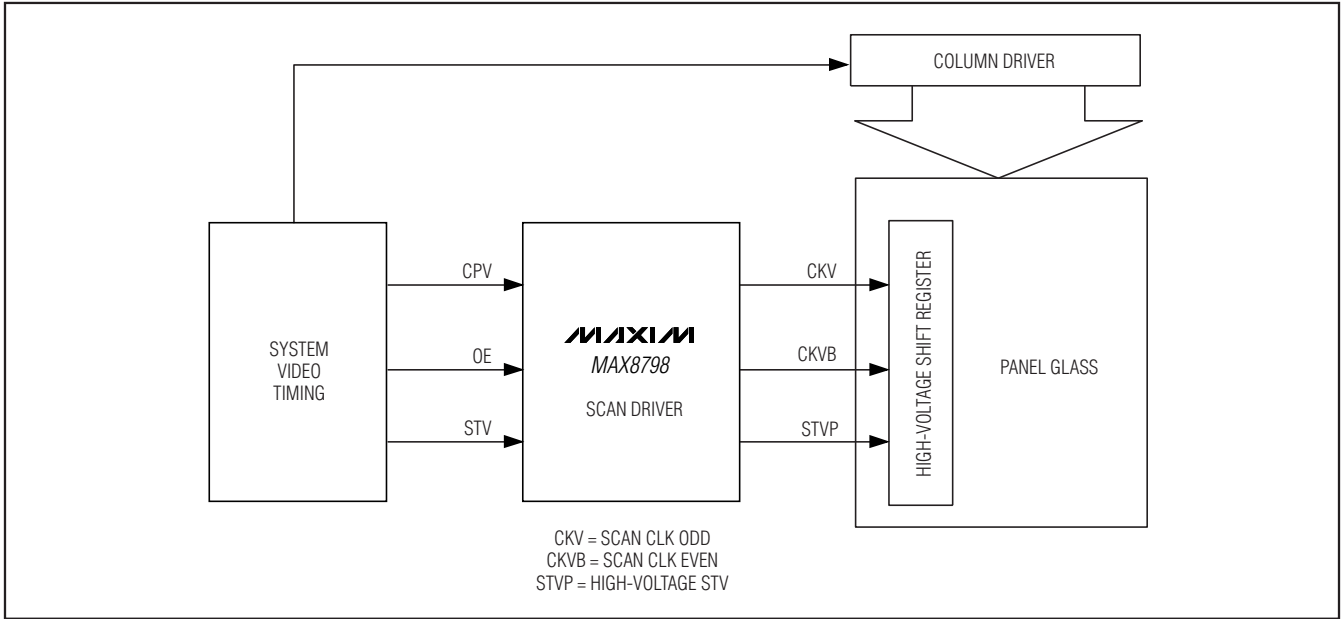


Figure 5. Scan Driver System Diagram

### High-Voltage Level-Shifting Scan Driver

The MAX8798 includes a 3-channel high-voltage (60V) level-shifting scan driver that includes logic functions necessary to drive row driver functions on the panel glass (Figure 5). The driver outputs (CKV, CKVB, STVP) swing between their power-supply rails (GON and GOFF) according to the input logic levels on the block's

inputs (STV, CPV, OE, and OECON) and the internal logic of the block (Tables 3, 4). STV is the vertical sync signal. CPV is the horizontal sync signal. OE is the output enable signal. OECON is a timing signal derived from OE that blanks OE if it stays high too long. These signals have CMOS input logic levels set by the IN supply voltage. CKV and CKVB are complementary scan clock outputs. STVP is the output scan start signal. These output signals swing from GON to GOFF that have a maximum range of +45V and -25V. Their 10Ω (typ) output impedance enables them to swiftly drive capacitive loads. The complementary CKV and CKVB outputs feature power-saving, charge-sharing inputs (CKVCS, CKVBCS) that can be used to save power by shorting each output to its complement during transitions, making a portion of the transition “lossless.”

Table 3. STVP Logic

SIGNAL	LOGIC STATE			
STV	H	H	H	L
OECON	X	X	X	X
CPV	L	H	X	X
OE	L	X	H	X
STVP	H	Hi-Z	Hi-Z	L

X = Don't care.

Table 4. CKV, CKVB Logic

SIGNAL	LOGIC STATE								
STV	H	H	H	L	L	L	L	L	L
OECON	X	X	X	L	L	L	H	H	H
CPV	L	H	X	L	—	X	L	—	—
OE	L	X	H	L	X	—	X	X	X
CKV	L	H	H	CS	Toggle	Toggle	CS	Toggle	Toggle
CKVB	H	L	L	CS	Toggle	Toggle	CS	Toggle	Toggle

X = Don't care. CS = Charge share state.

# Internal-Switch Boost Regulator with Integrated 3-Channel Scan Driver for TFT LCDs

## GOFF Rapid Discharge Function (DISH Input)

The DISH input controls a switch between GOFF and GND. When DISH is pulled below ground by at least 1V, GOFF is rapidly discharged to GND. Typically, DISH is capacitively coupled to IN so that if IN falls suddenly, GOFF is discharged to blank the display (Figure 3).

## VCOM Calibrator

The VCOM calibrator is a solid-state alternative to mechanical potentiometers used for adjusting the LCD backplane voltage (VCOM) in TFT LCD displays. OUT attaches to the external resistive voltage-divider at POS and sinks a programmable current (I<sub>OUT</sub>), which sets the VCOM level (Figure 6). An internal 7-bit DAC controls the sink current and allows the user to increase or decrease the VCOM level. The DAC is ratiometrically relative to V<sub>BOOST</sub> and is monotonic over all operating conditions. The user can store the DAC setting in an internal EEPROM. On power-up, the EEPROM presets the DAC to the last stored setting. The 2-wire I<sup>2</sup>C interface between the system controller and the programming circuit adjusts the DAC and programs the EEPROM when WPN is high.

The resistive voltage-divider and the BOOST supply set the maximum value of VCOM. OUT sinks current from the voltage-divider to reduce the POS voltage level and VCOM output. The external resistor at SET (R<sub>SET</sub>) sets the full-scale sink current and the minimum value of VCOM.

The GON input provides the high voltage required to program the EEPROM. To allow programming, V<sub>GON</sub> is connected to the TFT LCD V<sub>GON</sub> supply. V<sub>GON</sub> should be between 16.1V and 35V. EEPROM programming is disabled when V<sub>GON</sub> is below 15.5V (typ). Bypass V<sub>GON</sub> to PGND or BOOST (that is bypassed to PGND) with a 0.1μF or greater capacitor.

## Thermal-Overload Protection

The thermal-overload protection prevents excessive power dissipation from overheating the device. When the junction temperature exceeds T<sub>J</sub> = +160°C, a thermal sensor immediately activates the fault protection that shuts down the step-up regulator, switch control block, operational amplifier, and the internal linear regulator, allowing the device to cool down. Once the device cools down by approximately 15°C, cycle the input voltage (below the UVLO falling threshold) to clear the fault latch and reactivate the device.

The thermal-overload protection protects the controller in the event of fault conditions. For continuous operation, do not exceed the absolute maximum junction temperature rating of T<sub>J</sub> = +150°C.

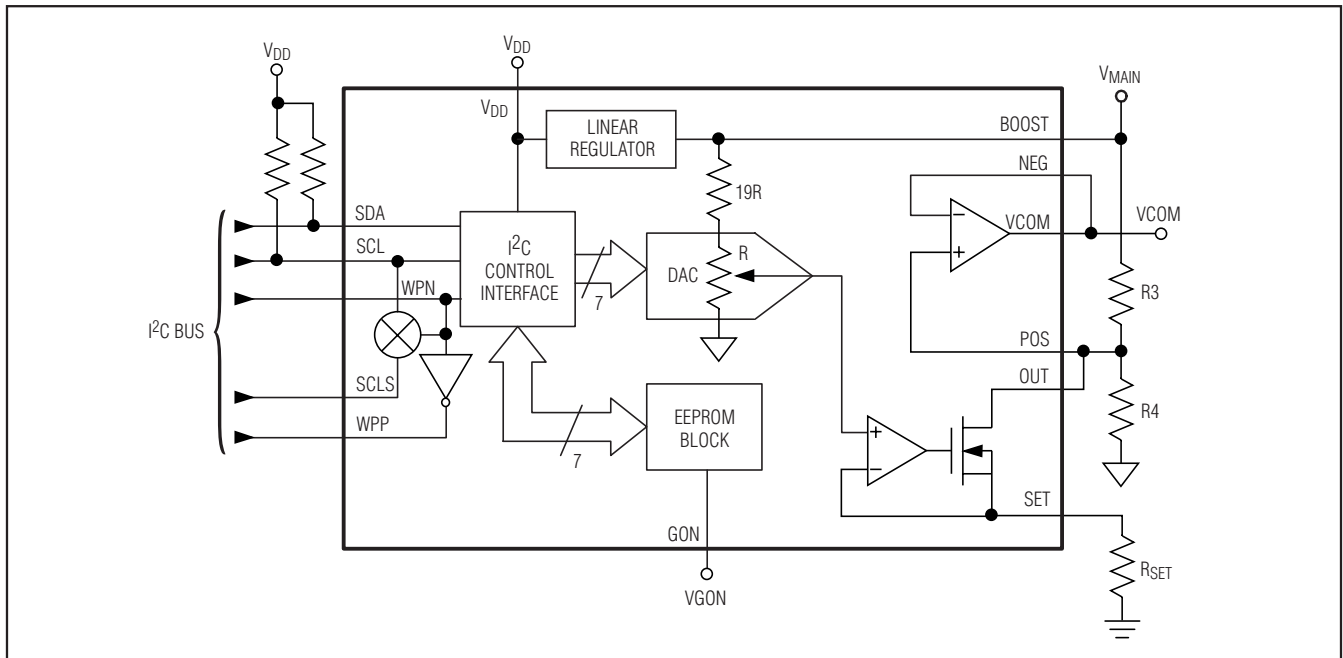


Figure 6. VCOM Calibrator Functional Diagram

# Internal-Switch Boost Regulator with Integrated 3-Channel Scan Driver for TFT LCDs

## Design Procedure

### Main Step-Up Regulator

#### Inductor Selection

The minimum inductance value, peak current rating, and series resistance are factors to consider when selecting the inductor. These factors influence the converter's efficiency, maximum output-load capability, transient response time, and output-voltage ripple. Physical size and cost are also important factors to be considered.

The maximum output current, input voltage, output voltage, and switching frequency determine the inductor value. Very high inductance values minimize the current ripple, and therefore, reduce the peak current that decreases core losses in the inductor and I<sup>2</sup>R losses in the entire power path. However, large inductor values also require more energy storage and more turns of wire that increase physical size and can increase I<sup>2</sup>R losses in the inductor. Low inductance values decrease the physical size, but increase the current ripple and peak current. Finding the best inductor involves choosing the best compromise between circuit efficiency, inductor size, and cost.

The equations used here include a constant called LIR that is the ratio of the inductor peak-to-peak ripple current to the average DC inductor current at the full-load current. The best trade-off between inductor size and circuit efficiency for step-up regulators generally has an LIR between 0.3 and 0.5. However, depending on the AC characteristics of the inductor core material and ratio of inductor resistance to other power-path resistances, the best LIR can shift up or down. If the inductor resistance is relatively high, more ripple can be accepted to reduce the number of turns required and increase the wire diameter. If the inductor resistance is relatively low, increasing inductance to lower the peak current can decrease losses throughout the power path. If extremely thin high-resistance inductors are used, as is common for LCD panel applications, the best LIR can increase to between 0.5 and 1.0.

Once a physical inductor is chosen, higher and lower values of the inductor should be evaluated for efficiency improvements in typical operating regions.

In Figure 2, the LCD's gate-on and gate-off supply voltages are generated from two unregulated charge pumps driven by the step-up regulator's LX node. The additional load on LX must therefore be considered in the inductance and current calculations. The effective maximum output current, I<sub>MAIN(EFF)</sub> becomes the sum of the maximum load current of the step-up regulator's output plus the contributions from the positive and negative charge pumps:

$$I_{\text{MAIN(EFF)}} = I_{\text{MAIN(MAX)}} + n_{\text{NEG}} \times I_{\text{NEG}} + (n_{\text{POS}} + 1) \times I_{\text{POS}}$$

where I<sub>MAIN(MAX)</sub> is the maximum step-up output current, n<sub>NEG</sub> is the number of negative charge-pump stages, n<sub>POS</sub> is the number of positive charge-pump stages, I<sub>NEG</sub> is the negative charge-pump output current, and I<sub>POS</sub> is the positive charge-pump output current, assuming the initial pump source for I<sub>POS</sub> is V<sub>MAIN</sub>.

Calculate the approximate inductor value using the typical input voltage (V<sub>IN</sub>), the maximum output current (I<sub>MAIN(EFF)</sub>), the expected efficiency (η<sub>TYP</sub>) taken from an appropriate curve in the *Typical Operating Characteristics*, and an estimate of LIR based on the above discussion:

$$L = \left( \frac{V_{\text{IN}}}{V_{\text{MAIN}}} \right)^2 \left( \frac{V_{\text{MAIN}} - V_{\text{IN}}}{I_{\text{MAIN(EFF)}} \times f_{\text{OSC}}} \right) \left( \frac{\eta_{\text{TYP}}}{\text{LIR}} \right)$$

Choose an available inductor value from an appropriate inductor family. Calculate the maximum DC input current at the minimum input voltage V<sub>IN(MIN)</sub> using conservation of energy and the expected efficiency at that operating point (η<sub>MIN</sub>) taken from an appropriate curve in the *Typical Operating Characteristics*:

$$I_{\text{IN(DC,MAX)}} = \frac{I_{\text{MAIN(EFF)}} \times V_{\text{MAIN}}}{V_{\text{IN(MIN)}} \times \eta_{\text{MIN}}}$$

Calculate the ripple current at that operating point and the peak current required for the inductor:

$$I_{\text{RIPPLE}} = \frac{V_{\text{IN(MIN)}} \times (V_{\text{MAIN}} - V_{\text{IN(MIN)}})}{L \times V_{\text{MAIN}} \times f_{\text{OSC}}}$$

$$I_{\text{PEAK}} = I_{\text{IN(DC,MAX)}} + \frac{I_{\text{RIPPLE}}}{2}$$

The inductor's saturation current rating and the MAX8798's LX current limit (I<sub>LIM</sub>) should exceed I<sub>PEAK</sub> and the inductor's DC current rating should exceed I<sub>IN(DC,MAX)</sub>. For good efficiency, choose an inductor with less than 0.1Ω series resistance.

Considering Figure 2, the maximum load current (I<sub>MAIN(MAX)</sub>) is 300mA, with an 8V output and a typical input voltage of 3.3V. The effective full-load step-up current is:

$$I_{\text{MAIN(EFF)}} = 300\text{mA} + 2 \times 20\text{mA} + (2 + 1) \times 20\text{mA} = 400\text{mA}$$

# Internal-Switch Boost Regulator with Integrated 3-Channel Scan Driver for TFT LCDs

Choosing an LIR of 0.5 and estimating efficiency of 85% at this operating point:

$$L = \left( \frac{3.3V}{8V} \right)^2 \left( \frac{8V - 3.3V}{0.4A \times 1.2MHz} \right) \left( \frac{0.85}{0.5} \right) \approx 2.8\mu H$$

A 2.6 $\mu$ H inductor is chosen. Then, using the circuit's minimum input voltage (3V) and estimating efficiency of 80% at that operating point:

$$I_{IN(DC,MAX)} = \frac{0.4A \times 8V}{3V \times 0.8} \approx 1.33A$$

The ripple current and the peak current at that input voltage are:

$$I_{RIPPLE} = \frac{3V \times (8V - 3V)}{2.6\mu H \times 8V \times 1.2MHz} \approx 0.6A$$

$$I_{PEAK} = 1.33A + \frac{0.6A}{2} = 1.53A$$

### Output Capacitor Selection

The total output-voltage ripple has two components: the capacitive ripple caused by the charging and discharging of the output capacitance, and the ohmic ripple due to the capacitor's equivalent series resistance (ESR):

$$V_{RIPPLE} = V_{RIPPLE(C)} + V_{RIPPLE(ESR)}$$

$$V_{RIPPLE(C)} \approx \frac{I_{MAIN}}{C_{OUT}} \left( \frac{V_{MAIN} - V_{IN}}{V_{MAINfOSC}} \right)$$

and:

$$V_{RIPPLE(ESR)} \approx I_{PEAK} R_{ESR}(C_{OUT})$$

where  $I_{PEAK}$  is the peak inductor current (see the *Inductor Selection* section). For ceramic capacitors, the output-voltage ripple is typically dominated by  $V_{RIPPLE(C)}$ . The voltage rating and temperature characteristics of the output capacitor must also be considered.

### Input Capacitor Selection

The input capacitor ( $C_{IN}$ ) reduces the current peaks drawn from the input supply and reduces noise injection into the IC. A 10 $\mu$ F ceramic capacitor is used in

Figure 2 because of the high source impedance seen in typical lab setups. Actual applications usually have much lower source impedance since the step-up regulator often runs directly from the output of another regulated supply. Typically,  $C_{IN}$  can be reduced below the values used in Figure 2. Ensure a low noise supply at IN by using adequate  $C_{IN}$ . Alternatively, greater voltage variation can be tolerated on  $C_{IN}$  if IN is decoupled from  $C_{IN}$  using an RC lowpass filter (seen in Figure 2).

### Rectifier Diode

The MAX8798's high switching frequency demands a high-speed rectifier. Schottky diodes are recommended for most applications because of their fast recovery time and low forward voltage. In general, a 2A Schottky diode complements the internal MOSFET well.

### Output Voltage Selection

The output voltage of the main step-up regulator is adjusted by connecting a resistive voltage-divider from the output ( $V_{MAIN}$ ) to AGND with the center tap connected to FB (see Figure 2). Select R2 in the 10k $\Omega$  to 50k $\Omega$  range. Calculate R1 with the following equation:

$$R1 = R2 \times \left( \frac{V_{MAIN}}{V_{REF}} - 1 \right)$$

where  $V_{REF}$ , the step-up regulator's feedback set point, is 1.235V (typ). Place R1 and R2 close to the IC.

### Loop Compensation

Choose  $R_{COMP}$  to set the high-frequency integrator gain for fast transient response. Choose  $C_{COMP}$  to set the integrator zero to maintain loop stability.

For low-ESR output capacitors, use the following equations to obtain stable performance and good transient response:

$$R_{COMP} \approx \frac{1000 \times V_{IN} \times V_{OUT} \times C_{OUT}}{L \times I_{MAIN(MAX)}}$$

$$C_{COMP} \approx \frac{V_{OUT} \times C_{OUT}}{10 \times I_{MAIN(MAX)} \times R_{COMP}}$$

To further optimize transient response, vary  $R_{COMP}$  in 20% steps and  $C_{COMP}$  in 50% steps while observing transient response waveforms.

# Internal-Switch Boost Regulator with Integrated 3-Channel Scan Driver for TFT LCDs

## Setting the VCOM Adjustment Range

The external resistive voltage-divider sets the maximum value of the VCOM adjustment range. R<sub>SET</sub> sets the full-scale sink current, I<sub>OUT</sub>, which determines the minimum value of the VCOM adjustment range. Large R<sub>SET</sub> values increase resolution, but decrease the VCOM adjustment range. Calculate R<sub>3</sub>, R<sub>4</sub>, and R<sub>SET</sub> using the following procedure:

- 1) Choose the maximum VCOM level (V<sub>MAX</sub>), the minimum VCOM level (V<sub>MIN</sub>), and the V<sub>MAIN</sub> supply voltage.
- 2) Select R<sub>3</sub> between 10kΩ and 500kΩ based on the acceptable power loss from the V<sub>MAIN</sub> supply rail connected to BOOST.
- 3) Calculate R<sub>4</sub>:

$$R4 \cong \frac{V_{MAX}}{(V_{BOOST} - V_{MAX})} \times R3$$

- 4) Calculate R<sub>SET</sub>:

$$R_{SET} = \frac{V_{MAX}}{20 \times (V_{MAX} - V_{MIN})} \times R3$$

- 5) Verify that I<sub>SET</sub> does not exceed 120μA:

$$I_{SET} = \frac{V_{BOOST}}{20 \times R_{SET}}$$

- 6) If I<sub>SET</sub> exceeds 120μA, return to step 2 and choose a larger value for R<sub>1</sub>.
- 7) The resulting resolution is:

$$\frac{(V_{MAX} - V_{MIN})}{127}$$

A complete design example is given below:

$$V_{MAX} = 4V, V_{MIN} = 2.4V, V_{BOOST} = 8V$$

$$\text{If } R3 = 200k\Omega, \text{ then } R4 = 200k\Omega \text{ and } R_{SET} = 24.9k\Omega.$$

$$\text{Resolution} = 12.5mV$$

## Applications Information

### Power Dissipation

An IC's maximum power dissipation depends on the thermal resistance from the die to the ambient environment and the ambient temperature. The thermal resistance depends on the IC package, PCB copper area, other thermal mass, and airflow.

The MAX8798, with its exposed backside paddle soldered to 1in<sup>2</sup> of PCB copper and a large internal

ground plane layer, can dissipate about 2.18W into +70°C still air. More PCB copper, cooler ambient air, and more airflow increase the possible dissipation, while less copper or warmer air decreases the IC's dissipation capability. The major components of power dissipation are the power dissipated in the step-up regulator and the power dissipated by the operational amplifiers.

The MAX8798's largest on-chip power dissipation occurs in the step-up switch, the VCOM amplifier, and the high-voltage scan-driver outputs.

Visit [www.maxim-ic.com/thermal-tutorial](http://www.maxim-ic.com/thermal-tutorial) for more information on the general topic of improving thermal performance.

### Step-Up Regulator

The largest portions of the power dissipated by the step-up regulator are the internal MOSFET, the inductor, and the output diode. If the step-up regulator with 3.3V input and 300mA output has about 85% efficiency, about 5% of the power is lost in the internal MOSFET, about 3% in the inductor, and about 5% in the output diode. The remaining few percent are distributed among the input and output capacitors and the PCB traces. If the input power is about 3W, the power lost in the internal MOSFET is about 150mW.

### Operational Amplifier

The power dissipated in the operational amplifier depends on the output current, the output voltage, and the supply voltage:

$$PDSOURCE = I_{VCOM\_SOURCE} \times (V_{BOOST} - V_{COM})$$

$$PDSINK = I_{VCOM\_SINK} \times V_{COM}$$

where I<sub>VCOM\_SOURCE</sub> is the output current sourced by the operational amplifier, and I<sub>VCOM\_SINK</sub> is the output current that the operational amplifier sinks.

In a typical case where the supply voltage is 8V and the output voltage is 4V with an output source current of 30mA, the power dissipated is 120mW.

### Scan-Driver Outputs

The power dissipated by the scan-driver outputs (CKV, CKVB, and STVP) depends on the scan frequency, the capacitive load, and the difference between the GON and GOFF supply voltages:

$$PD_{SCAN} = 3 \times f_{SCAN} \times C_{PANEL} \times (V_{GON} - V_{GOFF})^2$$

If the scan frequency is 50kHz, the load of the three outputs is 5nF, and the supply voltage difference is 30V, then the power dissipated is 675mW.



# Internal-Switch Boost Regulator with Integrated 3-Channel Scan Driver for TFT LCDs

## VCOM Calibrator Interface

The MAX8798 is a slave-only device with an I<sup>2</sup>C address of 9Eh. The 2-wire I<sup>2</sup>C-bus-like serial interface (SCL and SDA) is designed to attach to a 1.8V to 4V I<sup>2</sup>C bus. Connect both SCL and SDA lines to the VDD supply through individual pullup resistors. Calculate the required value of the pullup resistors using:

$$R_{PULLUP} \leq \frac{t_R}{C_{BUS}}$$

where  $t_R$  is the rise time in the *Electrical Characteristics* table, and  $C_{BUS}$  is the total capacitance on the bus.

The MAX8798 uses a nonstandard I<sup>2</sup>C interface protocol with mostly standard voltage and timing parameters, as defined in the following subsections.

### Bus Free

Both data and clock lines remain HIGH. Data transfers can be initiated only when the bus is not busy (Figure 7).

### START Condition (S)

Starting from an idle bus state (both SDA and SCL are high), a HIGH to LOW transition of the SDA line while the clock (SCL) is HIGH determines a START condition. All commands must be preceded by a START condition from a master device on the bus.

### STOP Condition (P)

A LOW to HIGH transition of the SDA line while the clock (SCL) is HIGH determines a STOP condition. All operations must be ended with a STOP condition from the master device.

### Data Valid

The state of the data line represents valid data when, after a START condition, the data line is stable for the duration of the HIGH period of the clock signal. The data on the line must be changed during the LOW period of the clock signal. The master generates one clock pulse per bit of data during write operations and the slave device outputs 1 data bit per clock pulse during read operations. Each data transfer is initiated with a START condition and terminated with a STOP condition. Two bytes are transferred between the START and STOP conditions.

### Slave Address

After generating a START condition, the bus master transmits the slave address consisting of the 7-bit device code (0b1001110 or 9Eh) for the MAX8798 (Figure 8). For a read operation the 8th bit is 1 and for write operations it is 0. The MAX8798 monitors the bus for its corresponding slave address continuously. It generates an acknowledge bit if it recognizes its slave address and it is not busy programming the EEPROM.

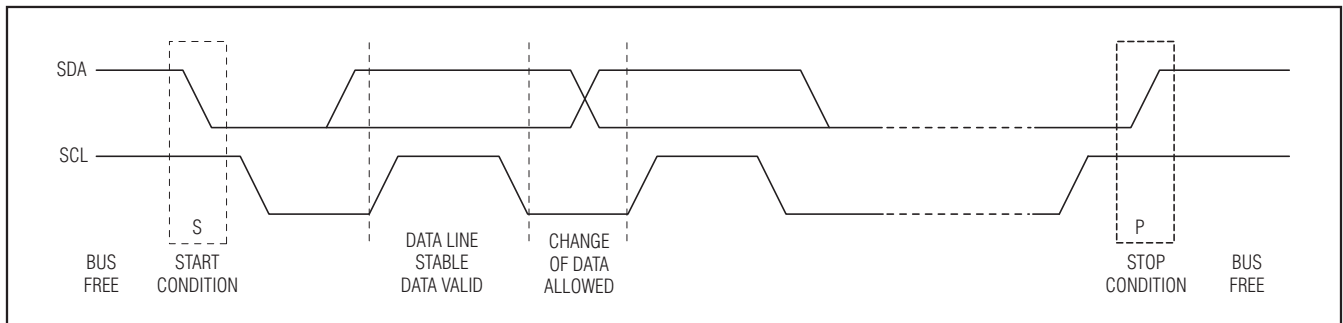


Figure 7. I<sup>2</sup>C Bus START, STOP, and Data Change Conditions

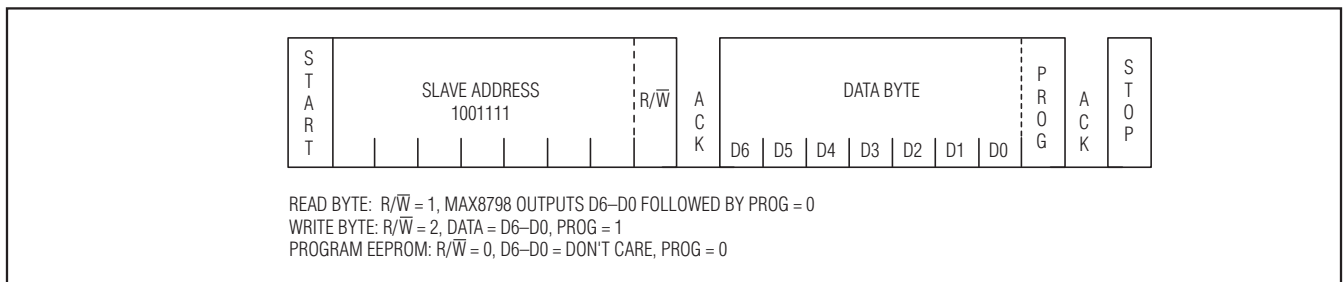


Figure 8. I<sup>2</sup>C Slave Address and Data Byte

# Internal-Switch Boost Regulator with Integrated 3-Channel Scan Driver for TFT LCDs

### Data Byte

The data byte follows successful transmission of the MAX8798's slave address (Figure 8). For a read operation, the MAX8798 outputs the 7 bits corresponding to the current DAC setting followed by a 0 bit. For a write operation, the bus master must provide the 7-bit data corresponding to the desired DAC setting followed by a 1 bit. To program the IC's EEPROM, the master must make the last bit a zero. In this situation, the other 7 bits of data are ignored. For programming, GON must exceed its programming threshold. Otherwise, programming does not occur and the MAX8798 does not acknowledge the programming command.

### DAC Values

Table 5 lists the DAC values and the corresponding ISET, VSET, and VOUT values.

**Table 5. DAC Settings**

7-BIT DATA BYTE	ISET	VSET (V)	VOUT (V)
0000000	ISET(MAX)	VSET(MAX)	VMIN
0000001	ISET(MAX) - 1-LSB	VSET(MAX) - 1-LSB	VMIN + 1-LSB
·	·	·	·
·	·	·	·
·	·	·	·
1111110	ISET(MIN) + 1-LSB	VSET(MIN) + 1-LSB	VMAX - 1-LSB
1111111	ISET(MIN)	VSET(MIN)	VMAX

### Acknowledge/Polling

The MAX8798, when addressed, generates an acknowledge pulse after the reception of each byte (Figure 9). The master device must generate an extra clock pulse that is associated with this acknowledge bit. The device that acknowledges has to pull down the SDA line during the acknowledge clock pulse so that the SDA line is stable LOW during the HIGH period of the acknowledge-related clock pulse. Of course, setup and hold times must be taken into account. The master signals an end of data to the slave by not generating an acknowledge bit on the last byte that has been clocked out of the slave. In this case, the slave leaves the data line HIGH to enable the master to generate the STOP condition.

The MAX8798 does not generate an acknowledge while an internal programming cycle is in progress. Once the internally timed write cycle has started and the EEPROM inputs are disabled, acknowledge polling can be initiated. This involves sending a START condition followed by the device address byte. Only if the internal write cycle has completed does the MAX8798 respond with an acknowledge pulse, allowing the read or write sequence to continue.

The MAX8798 does not acknowledge a command to program the EEPROM if V<sub>GON</sub> is not high enough to properly program the device. Also, a program command must be preceded by a write command. The IC does not acknowledge a program command or program the EEPROM unless the DAC data has been modified since the most recent program command.

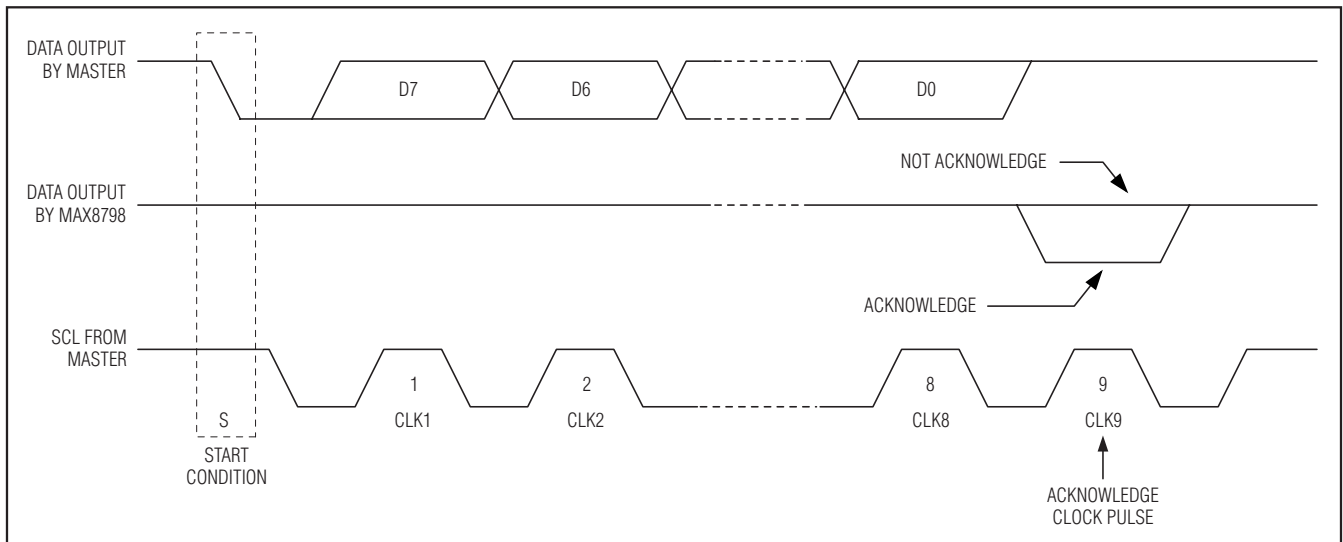


Figure 9. I<sup>2</sup>C Bus Acknowledge

# Internal-Switch Boost Regulator with Integrated 3-Channel Scan Driver for TFT LCDs

## PCB Layout and Grounding

Careful PCB layout is important for proper operation. Use the following guidelines for good PCB layout:

- Minimize the area of high-current loops by placing the inductor, output diode, and output capacitors near the input capacitors and near LX and PGND. The high-current input loop goes from the positive terminal of the input capacitor to the inductor, to the IC's LX pin, out of PGND, and to the input capacitor's negative terminal. The high-current output loop is from the positive terminal of the input capacitor to the inductor, to the output diode (D1), to the positive terminal of the output capacitors, reconnecting between the output capacitor and input capacitor ground terminals. Connect these loop components with short, wide connections. Avoid using vias in the high-current paths. If vias are unavoidable, use many vias in parallel to reduce resistance and inductance.
- Create a power ground island (PGND) consisting of the input and output capacitor grounds, PGND pin, and any charge-pump components. Connect all these together with short, wide traces or a small ground plane. Maximizing the width of the power ground traces improves efficiency and reduces output-voltage ripple and noise spikes. Create an analog ground plane (AGND) consisting of the AGND pin, all the feedback-divider ground connections, the operational-amplifier-divider ground connections, the COMP capacitor ground connection, the

BOOST and VL bypass capacitor ground connections, and the device's exposed backside paddle. Connect the AGND and PGND islands by connecting the PGND pin directly to the exposed backside paddle. Make no other connections between these separate ground planes.

- Place the feedback-voltage-divider resistors as close as possible to the feedback pin. The divider's center trace should be kept short. Placing the resistors far away causes the FB trace to become an antenna that can pick up switching noise. Care should be taken to avoid running the feedback trace near LX or the switching nodes in the charge pumps.
- Place the IN pin and VL pin bypass capacitors as close as possible to the device. The ground connections of the IN and VL bypass capacitors should be connected directly to the AGND pin with a wide trace.
- Minimize the length and maximize the width of the traces between the output capacitors and the load for best transient responses.
- Minimize the size of the LX node while keeping it wide and short. Keep the LX node away from the feedback node and analog ground. Use DC traces as shield if necessary.

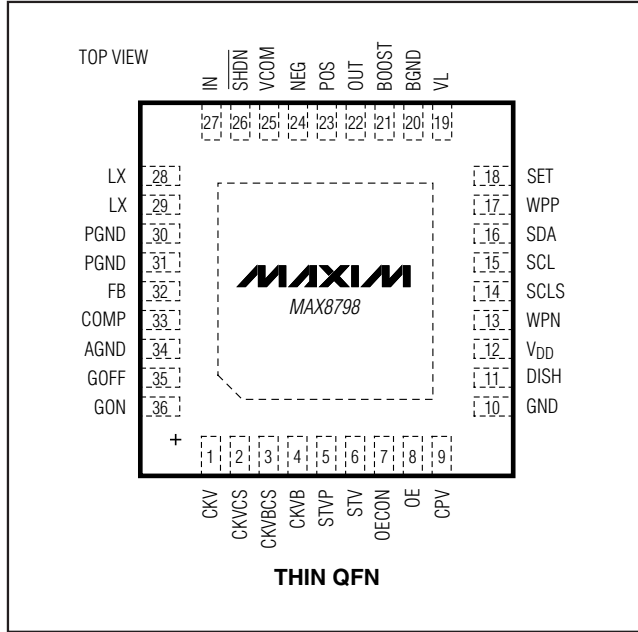
Refer to the MAX8798 evaluation kit for an example of proper board layout.

# Internal-Switch Boost Regulator with Integrated 3-Channel Scan Driver for TFT LCDs

## Pin Configuration

## Chip Information

TRANSISTOR COUNT: 15,227  
 PROCESS: BiCMOS

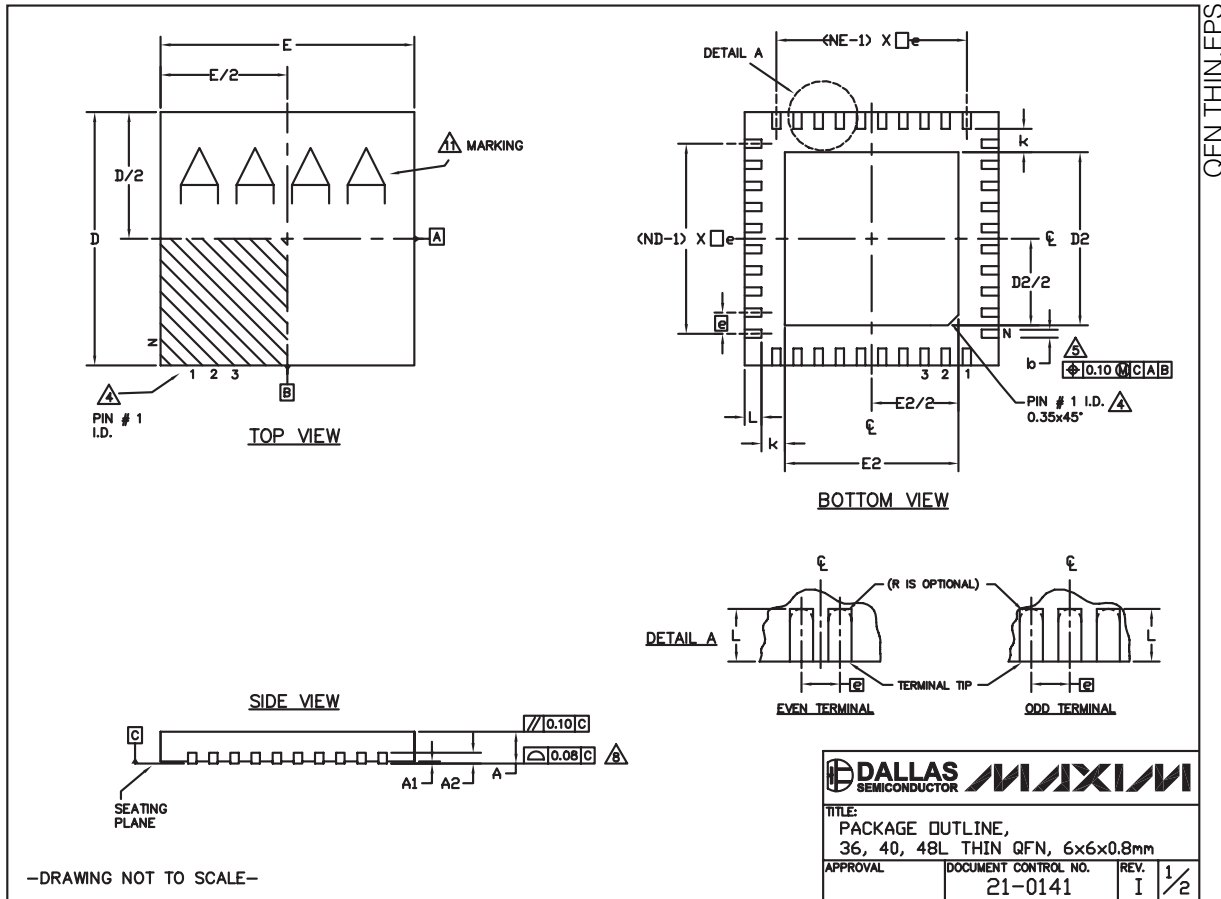


# Internal-Switch Boost Regulator with Integrated 3-Channel Scan Driver for TFT LCDs

## Package Information

(The package drawing(s) in this data sheet may not reflect the most current specifications. For the latest package outline information go to [www.maxim-ic.com/packages](http://www.maxim-ic.com/packages).)

MAX8798



# Internal-Switch Boost Regulator with Integrated 3-Channel Scan Driver for TFT LCDs

## Package Information (continued)

(The package drawing(s) in this data sheet may not reflect the most current specifications. For the latest package outline information go to [www.maxim-ic.com/packages](http://www.maxim-ic.com/packages).)

COMMON DIMENSIONS									
PKG. SYMBOL	36L 6x6			40L 6x6			48L 6x6		
	MIN.	NOM.	MAX.	MIN.	NOM.	MAX.	MIN.	NOM.	MAX.
A	0.70	0.75	0.80	0.70	0.75	0.80	0.70	0.75	0.80
A1	0	0.02	0.05	0	0.02	0.05	0	–	0.05
A2	0.20 REF.			0.20 REF.			0.20 REF.		
b	0.20	0.25	0.30	0.20	0.25	0.30	0.15	0.20	0.25
D	5.90	6.00	6.10	5.90	6.00	6.10	5.90	6.00	6.10
E	5.90	6.00	6.10	5.90	6.00	6.10	5.90	6.00	6.10
e	0.50 BSC.			0.50 BSC.			0.40 BSC.		
k	0.25	–	–	0.25	–	–	0.25	–	–
L	0.35	0.50	0.65	0.30	0.40	0.50	0.30	0.40	0.50
N	36			40			48		
ND	9			10			12		
NE	9			10			12		
JEDEC	WJJD-1			WJJD-2			–		

EXPOSED PAD VARIATIONS						
PKG. CODES	D2			E2		
	MIN.	NOM.	MAX.	MIN.	NOM.	MAX.
T3666-2	3.60	3.70	3.80	3.60	3.70	3.80
T3666-3	3.60	3.70	3.80	3.60	3.70	3.80
T3666N-1	3.60	3.70	3.80	3.60	3.70	3.80
T3666MN-1	3.60	3.70	3.80	3.60	3.70	3.80
T4066-2	4.00	4.10	4.20	4.00	4.10	4.20
T4066-3	4.00	4.10	4.20	4.00	4.10	4.20
T4066-5	4.00	4.10	4.20	4.00	4.10	4.20
T4866-1	4.40	4.50	4.60	4.40	4.50	4.60
T4866N-1	4.40	4.50	4.60	4.40	4.50	4.60
T4866-2	4.40	4.50	4.60	4.40	4.50	4.60

**NOTES:**

- DIMENSIONING & TOLERANCING CONFORM TO ASME Y14.5M-1994.
- ALL DIMENSIONS ARE IN MILLIMETERS. ANGLES ARE IN DEGREES.
- N IS THE TOTAL NUMBER OF TERMINALS.
- THE TERMINAL #1 IDENTIFIER AND TERMINAL NUMBERING CONVENTION SHALL CONFORM TO JESD 95-1 SPP-012. DETAILS OF TERMINAL #1 IDENTIFIER ARE OPTIONAL, BUT MUST BE LOCATED WITHIN THE ZONE INDICATED. THE TERMINAL #1 IDENTIFIER MAY BE EITHER A MOLD OR MARKED FEATURE.
- DIMENSION b APPLIES TO METALLIZED TERMINAL AND IS MEASURED BETWEEN 0.25mm AND 0.30mm FROM TERMINAL TIP.
- ND AND NE REFER TO THE NUMBER OF TERMINALS ON EACH D AND E SIDE RESPECTIVELY.
- DEPOPULATION IS POSSIBLE IN A SYMMETRICAL FASHION.
- COPLANARITY APPLIES TO THE EXPOSED HEAT SINK SLUG AS WELL AS THE TERMINALS.
- DRAWING CONFORMS TO JEDEC MQ220, EXCEPT FOR 0.4mm LEAD PITCH PACKAGE T4866-1.
- WARPAGE SHALL NOT EXCEED 0.10mm.
- MARKING IS FOR PACKAGE ORIENTATION REFERENCE ONLY.
- NUMBER OF LEADS SHOWN FOR REFERENCE ONLY.
- ALL DIMENSIONS APPLY TO BOTH LEADED (-) AND PbFREE (+) PKG. CODES.

-DRAWING NOT TO SCALE-

TITLE: PACKAGE OUTLINE, 36, 40, 48L THIN QFN, 6x6x0.8mm		
APPROVAL	DOCUMENT CONTROL NO. 21-0141	REV. I 2/2

# Internal-Switch Boost Regulator with Integrated 3-Channel Scan Driver for TFT LCDs

## Revision History

REVISION NUMBER	REVISION DATE	DESCRIPTION	PAGES CHANGED
0	9/07	Initial release	—
1	6/08	Changes to the <i>Electrical Characteristics</i> table	1–5, 7, 8
		Changes throughout the data sheet.	1–8, 13, 14, 17, 19–22, 24, 26, 27

MAX8798

Maxim cannot assume responsibility for use of any circuitry other than circuitry entirely embodied in a Maxim product. No circuit patent licenses are implied. Maxim reserves the right to change the circuitry and specifications without notice at any time.

Maxim Integrated Products, 120 San Gabriel Drive, Sunnyvale, CA 94086 408-737-7600 \_\_\_\_\_ 31