



Integrated Cellular RF-Section Power-Management IC

MAX8890

General Description

The MAX8890 is a power-management IC intended for cellular handsets using a single lithium-ion (Li+) cell battery with input voltages from +2.5V to +5.5V. The IC contains three identical, low-noise, low-dropout (LDO) linear regulators to provide all of the supply voltage requirements for the RF portion of the handset.

The first LDO is intended to power the transmitter, receiver, and synthesizer. The second LDO is intended to power the TCXO, and high-power voltage-controlled oscillators (VCOs). The third LDO is intended to power the UHF offset VCO.

Each LDO has its own individual enable (ON/OFF) control to maximize design flexibility. The reference is powered on if any of the enable inputs (EN1, EN2, EN3) are logic high. The high-accuracy output voltage of each LDO is preset at an internally trimmed voltage (1.8V to 3.3V in 50mV increments). Each LDO is capable of supplying 100mA with a low 50mV dropout and is optimized for low noise and high crosstalk-isolation. Designed with internal P-channel MOSFET pass transistors, the MAX8890's low 180 μ A operating supply current is independent of load.

Other features include short-circuit and thermal-overload protection. The MAX8890 is available in a compact, high-power, 12-pin 4mm x 4mm QFN package with a metal pad on the underside.

Applications

- Cellular Handsets
- Single-Cell Li+ Systems
- 3-Cell NiMH, NiCD, or Alkaline Systems
- Personal Digital Assistants (PDAs)

Standard Preset Output Voltage Suffixes

| SUFFIX | OUTPUT VOLTAGE (V) | SUFFIX | OUTPUT VOLTAGE (V) |
|--------|--------------------|--------|--------------------|
| A | 3.30 | H | 2.75 |
| B | 3.00 | J | 2.70 |
| D | 2.90 | K | 2.50 |
| F | 2.85 | L | 2.00 |
| G | 2.80 | M | 1.80 |

*Nonstandard output voltages between 1.80V and 3.30V are available in 50mV increments.

Standard Versions table and Pin Configuration appear at end of data sheet.



Features

- ◆ Three 100mA Low-Dropout Linear Regulators
- ◆ Low 50mV Dropout Voltage at 100mA
- ◆ $\pm 1\%$ Output Voltage Accuracy Over Temperature
- ◆ Preset 1.8V to 3.3V Output Voltages (in 50mV Increments)
- ◆ Low 45 μ V_{RMS} Output Voltage Noise
- ◆ Low 180 μ A Operating Supply Current
- ◆ 2.5V to 5.5V Input Voltage Range
- ◆ 67dB PSRR
- ◆ 10 μ V_{P-P} Channel-to-Channel Crosstalk
- ◆ Short-Circuit Protection
- ◆ Thermal-Overload Protection
- ◆ 0.01 μ A Shutdown Current
- ◆ Tiny 12-Pin 4mm x 4mm QFN Package

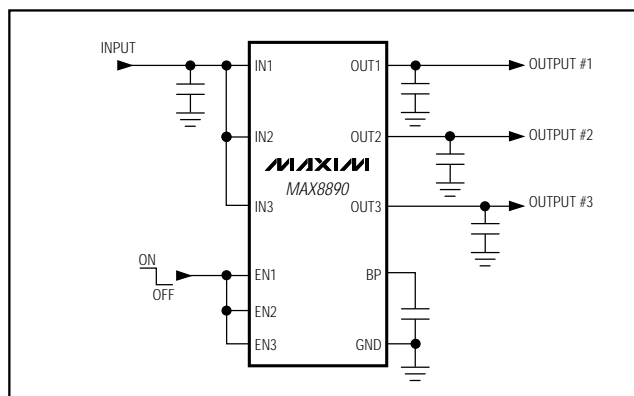
Ordering Information

| PART | TEMP RANGE | PIN PACKAGE |
|----------------|----------------|--------------------|
| MAX8890ETCxyz* | -40°C to +85°C | 12 (4mm x 4mm) QFN |

*Each preset output voltage of these devices is factory trimmed to one of ten voltages. Replace "xyz" with the letters corresponding to the desired output voltages (see Standard Preset Output Voltage Suffixes table), where the three letter suffix corresponds to the following output voltages: "x" = V_{OUT1}, "y" = V_{OUT2}, and "z" = V_{OUT3}.

Note: There are five standard versions available (see Standard Versions table). Sample stock is generally held on standard versions only. Standard versions have an order increment requirement of 2500 pieces. Nonstandard versions have an order increment requirement of 10,000 pieces. Contact the factory for availability of nonstandard versions.

Typical Operating Circuit



Integrated Cellular RF-Section Power-Management IC

ABSOLUTE MAXIMUM RATINGS

IN₋, EN₋ to GND.....-0.3V to +6V
 OUT₋, BP to GND-0.3V to (VIN₋ + 0.3V)
 Output Short-Circuit Protection (Note A)indefinite
 Continuous Power Dissipation (T_A = +70°C)
 12-Pin 4 x 4 QFN (derate 16.9mW/°C above +70°C)1349mW

Operating Temperature Range-40°C to +85°C
 Junction Temperature+150°C
 Storage Temperature Range-65°C to +150°C
 Lead Temperature (soldering, 10s)+300°C

Note A: As long as the maximum continuous power dissipation rating is not exceeded, the output can be shorted indefinitely.

Stresses beyond those listed under "Absolute Maximum Ratings" may cause permanent damage to the device. These are stress ratings only, and functional operation of the device at these or any other conditions beyond those indicated in the operational sections of the specifications is not implied. Exposure to absolute maximum rating conditions for extended periods may affect device reliability.

ELECTRICAL CHARACTERISTICS

(VIN₋ = 3.6V, EN₋ = IN₋, C_{IN} = 6.8μF, C_{OUT} = 2.2μF, C_{BP} = 0.01μF, all ceramic capacitors T_A = 0°C to +85°C, unless otherwise noted. Typical values are at T_A = +25°C.)

| PARAMETER | SYMBOL | CONDITIONS | MIN | TYP | MAX | UNITS | |
|--------------------------------------|--------------------------------------|--|----------------------------|------|--------|-------|---|
| GENERAL | | | | | | | |
| Input Voltage | V _{IN-} | | 2.5 | | 5.5 | V | |
| Input Undervoltage Lockout Threshold | V _{UVLO} | Rising and falling edge | 2.10 | 2.25 | 2.45 | V | |
| Input Undervoltage Hysteresis | | | | 45 | | mV | |
| SUPPLY CURRENT | | | | | | | |
| Quiescent Supply Current | I _Q | I _{OUT-} = 0 | | 180 | 330 | μA | |
| Shutdown Supply Current | | EN ₋ = OUT ₋ = GND | | 0.01 | 10 | μA | |
| LINEAR REGULATORS | | | | | | | |
| Output Voltage Accuracy | V _{OUT-} | VIN ₋ = 0.5V + the highest of (V _{OUT1} , V _{OUT2} , or V _{OUT3}), I _{OUT-} = 1mA to 100mA | T _A = +85°C | | -1 | +1 | % |
| | | | T _A = 0°C +85°C | | -2 | +2 | |
| Current Limit | I _{LIM} | OUT ₋ = GND | 120 | 250 | 500 | mA | |
| Output Pulldown Resistance | R _{OUT-} | EN ₋ = GND | 3 | 5 | 8 | kΩ | |
| Dropout Voltage (Note 1) | VIN ₋ - V _{OUT-} | I _{OUT-} = 1mA | | | 1 | mV | |
| | | | I _{OUT-} = 50mA | | 25 | | |
| | | | I _{OUT-} = 100mA | | 50 100 | | |
| Line Regulation | | VIN ₋ = (V _{OUT-} + 0.1V) to 5.5V for V _{OUT-} ≥ 2.4V, or VIN ₋ = 2.5V to 5.5V for V _{OUT-} < 2.4V, I _{OUT-} = 1mA | -0.15 | | +0.15 | %/V | |
| Output Voltage Noise | | 10Hz to 100kHz, C _{OUT-} = 10μF ceramic, V _{OUT-} = 2.8V, I _{OUT-} = 10mA | | 45 | | μVRMS | |
| Output Voltage PSRR | | 100Hz, C _{OUT-} = 2.2μF ceramic, I _{OUT-} = 10mA | | 67 | | dB | |
| Channel-to-Channel Isolation | | 10kHz, C _{OUT-} = 2.2μF ceramic, I _{OUT-} = 10mA | | 64 | | dB | |

Integrated Cellular RF-Section Power-Management IC

MAX8890

ELECTRICAL CHARACTERISTICS (continued)

($V_{IN_} = 3.6V$, $EN_ = IN_$, $C_{IN} = 6.8\mu F$, $C_{OUT_} = 2.2\mu F$, $C_{BP} = 0.01\mu F$, all ceramic capacitors $T_A = 0^\circ C$ to $+85^\circ C$, unless otherwise noted. Typical values are at $T_A = +25^\circ C$.)

| PARAMETER | SYMBOL | CONDITIONS | MIN | TYP | MAX | UNITS |
|------------------------------|-------------------|---|-----|-----|-----|------------|
| ENABLE LOGIC CONTROL | | | | | | |
| EN_ Input Threshold | $V_{EN_}$ | $2.5V \leq V_{IN_} \leq 5.5V$ | 0.4 | | 1.6 | V |
| EN_ Input Bias Current | $I_{EN_}$ | $V_{EN_} = 5.5V$ or 0, $T_A = +85^\circ C$ | -1 | | +1 | μA |
| THERMAL PROTECTION | | | | | | |
| Thermal-Shutdown Temperature | T_{SHDN} | Rising temperature | | 160 | | $^\circ C$ |
| Thermal-Shutdown Hysteresis | ΔT_{SHDN} | | | 15 | | $^\circ C$ |

ELECTRICAL CHARACTERISTICS

($V_{IN_} = 3.6V$, $EN_ = IN_$, $C_{IN} = 6.8\mu F$, $C_{OUT_} = 2.2\mu F$, $C_{BP} = 0.01\mu F$, all ceramic capacitors $T_A = -40^\circ C$ to $+85^\circ C$, unless otherwise noted.) (Note 2)

| PARAMETER | SYMBOL | CONDITIONS | MIN | MAX | UNITS | |
|--------------------------------------|------------------------|---|-------|-------|-----------|---------|
| GENERAL | | | | | | |
| Input Voltage | $V_{IN_}$ | | 2.5 | 5.5 | V | |
| Input Undervoltage Lockout Threshold | V_{UVLO} | Rising and falling edge | 2.10 | 2.45 | V | |
| SUPPLY CURRENT | | | | | | |
| Quiescent Supply Current | I_Q | $I_{OUT_} = 0$ | | 330 | μA | |
| Shutdown Supply Current | | $EN_ = OUT_ = GND$ | | 10 | μA | |
| LINEAR REGULATORS | | | | | | |
| Output Voltage Accuracy | $V_{OUT_}$ | $V_{IN_} = 0.5V$ + the highest of (V_{OUT1} , V_{OUT2} , or V_{OUT3}), $I_{OUT_} = 1mA$ to $100mA$ | -2 | +2 | % | |
| Current Limit | I_{LIM} | $OUT_ = GND$ | 110 | 500 | mA | |
| Output Pulldown Resistance | $R_{OUT_}$ | $EN_ = GND$ | 3 | 8 | $k\Omega$ | |
| Dropout Voltage | $V_{IN_} - V_{OUT_}$ | $I_{OUT_} = 100mA$ (Note 1) | | 100 | mV | |
| Line Regulation | | $V_{IN_} = (V_{OUT_} + 0.1V)$ to $5.5V$ for $V_{OUT_} \geq 2.4V$, or $V_{IN_} = 2.5V$ to $5.5V$ for $V_{OUT_} < 2.4V$, $I_{OUT} = 1mA$ | -0.15 | +0.15 | %/V | |
| ENABLE LOGIC CONTROL | | | | | | |
| EN_ Input Threshold | $V_{EN_}$ | $2.5V \leq V_{IN_} \leq 5.5V$ | 0.4 | | 1.6 | V |
| EN_ Input Bias Current | $I_{EN_}$ | $V_{EN_} = 5.5V$ or 0, $T_A = +85^\circ C$ | -1 | | +1 | μA |

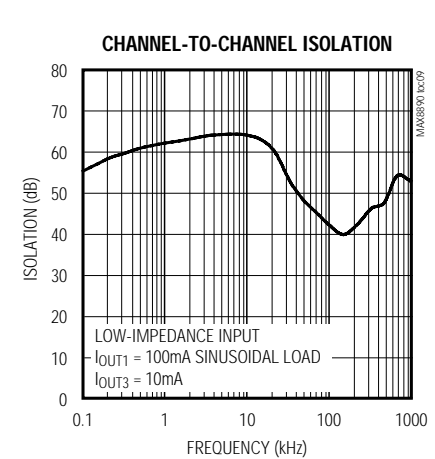
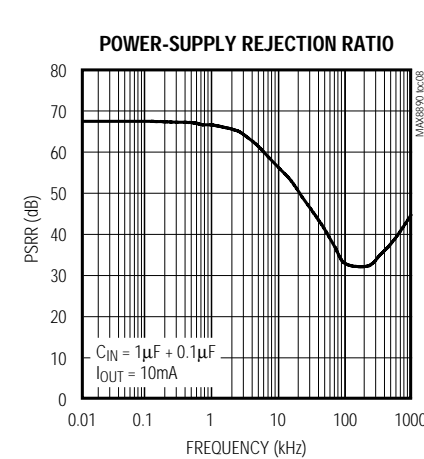
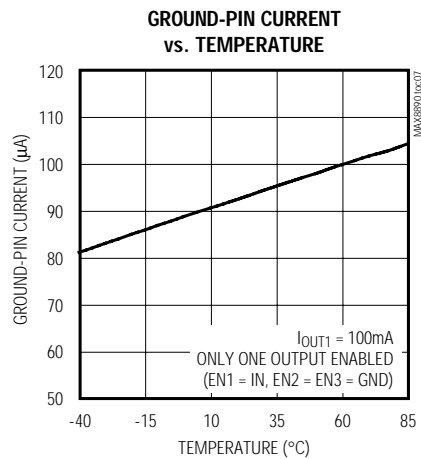
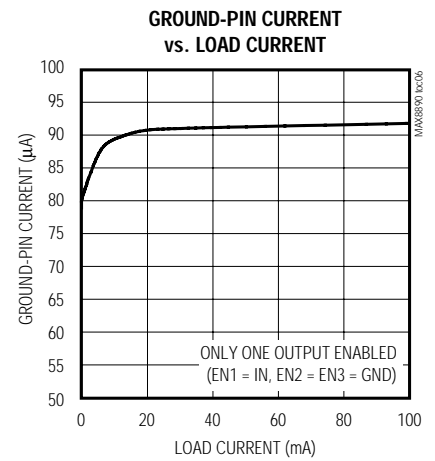
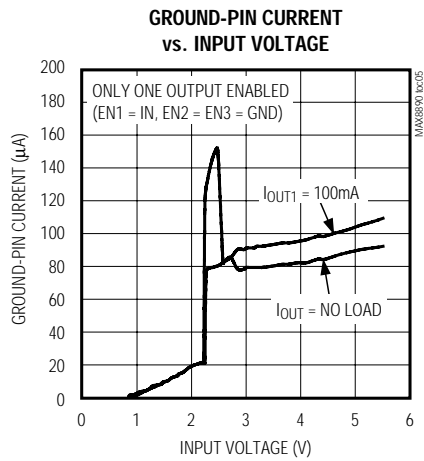
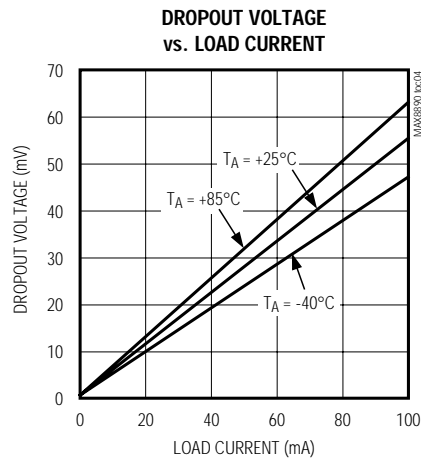
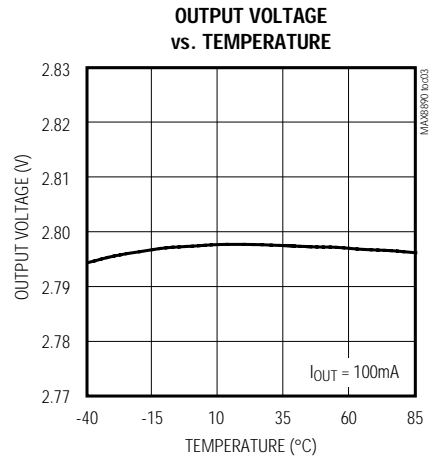
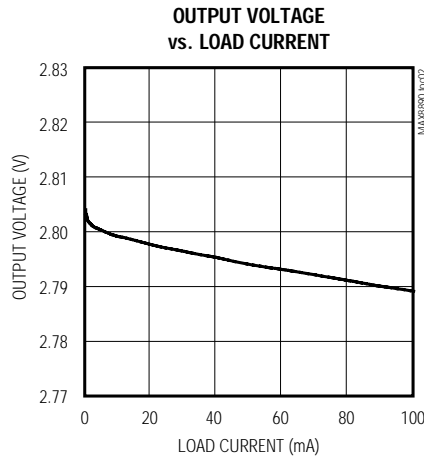
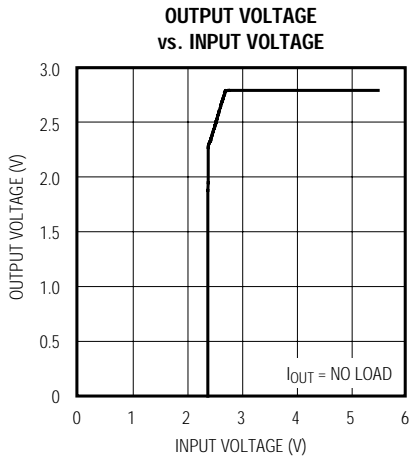
Note 1: The dropout voltage is defined as $V_{IN_} - V_{OUT_}$, when $V_{OUT_}$ is 100mV below the set output voltage (the value of $V_{OUT_}$ for $V_{IN_} = V_{OUT_} + 500mV$). Since the minimum input voltage range is 2.5V, this specification is only meaningful when the set output voltage exceeds 2.7V ($V_{OUT_}(NOM) \geq 2.7V$).

Note 2: Specifications to $-40^\circ C$ are guaranteed by design, not production tested.

Integrated Cellular RF-Section Power-Management IC

Typical Operating Characteristics

(Circuit of Figure 1, MAX8890ETCGGG, $V_{IN} = 3.3V$, $EN_{-} = IN_{-}$, $T_A = +25^{\circ}C$, unless otherwise noted.)



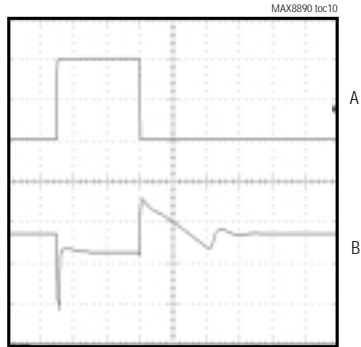
Integrated Cellular RF-Section Power-Management IC

MAX8890

Typical Operating Characteristics (continued)

(Circuit of Figure 1, MAX8890ETCGGG, $V_{IN} = 3.3V$, $EN_{-} = IN_{-}$, $T_A = +25^{\circ}C$, unless otherwise noted.)

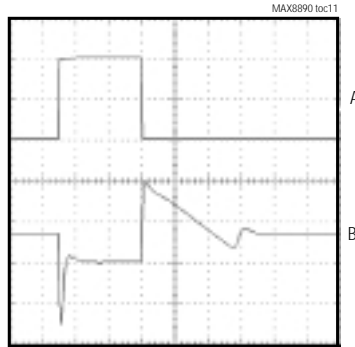
LOAD TRANSIENT



20 μ s/div

A. $I_{OUT_{-}} = 1mA$ to 100mA, 50mA/div
 B. $V_{OUT_{-}} = 2.8V$, 20mV/div
 $V_{IN} = 3.3V$ ($V_{OUT_{-}} + 500mV$)

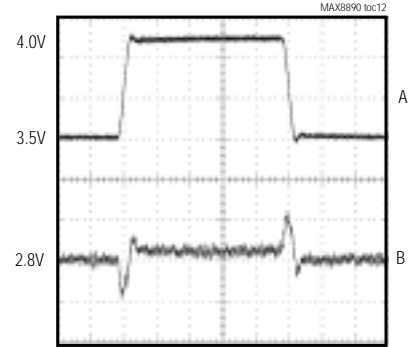
LOAD TRANSIENT NEAR DROPOUT



20 μ s/div

A. $I_{OUT_{-}} = 1mA$ to 100mA, 50mA/div
 B. $V_{OUT_{-}} = 2.8V$, 20mV/div
 $V_{IN} = 2.9V$ ($V_{OUT_{-}} + 100mV$)

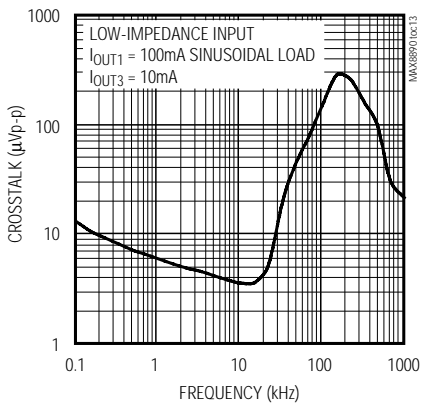
LINE TRANSIENT RESPONSE



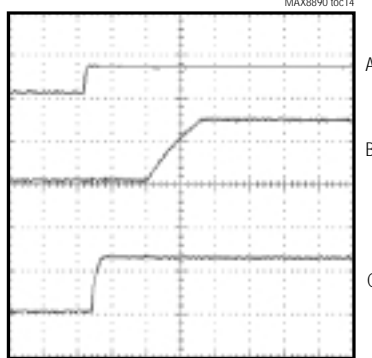
40 μ s/div

A. $V_{IN} = 3.5V$ to 4.0V, 200mV/div
 B. $V_{OUT_{-}} = 2.8V$, 2mV/div
 $I_{OUT} = 100mA$

CROSSTALK VOLTAGE



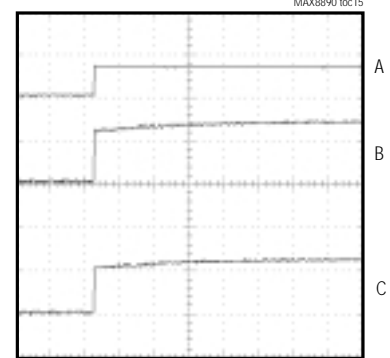
STARTUP WAVEFORM
 ($C_{BP} = 0.01\mu F$)



20 μ s/div

A. $V_{IN} = 0$ to 3.3V, 5V/div
 B. $V_{OUT_{-}} = 2.8V$, 2V/div
 C. $V_{BP} = 1.25V$, 1V/div
 $R_{OUT_{-}} = 28\Omega$ (100mA)

STARTUP WAVEFORM
 ($C_{BP} = 0.1\mu F$)



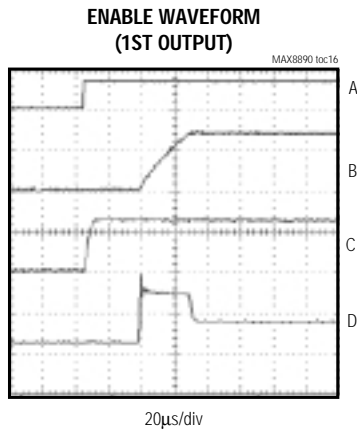
5ms/div

A. $V_{IN} = 0$ to 3.3V, 5V/div
 B. $V_{OUT_{-}} = 2.8V$, 2V/div
 C. $V_{BP} = 1.25V$, 1V/div
 $R_{OUT_{-}} = 28\Omega$ (100mA)

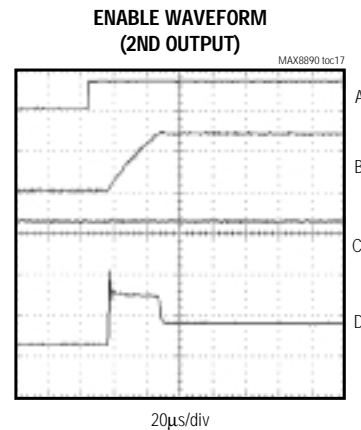
Integrated Cellular RF-Section Power-Management IC

Typical Operating Characteristics (continued)

(Circuit of Figure 1, MAX8890ETCGGG, $V_{IN} = 3.3V$, $EN_{-} = IN_{-}$, $T_A = +25^{\circ}C$, unless otherwise noted.)



A. $V_{EN1} = 0$ to $3.3V$, 5V/div
 B. $V_{OUT1} = 2.8V$, $R_{OUT1} = 28\Omega$ (100mA), 2V/div
 C. $V_{BP} = 1.25V$, 1V/div
 D. I_{IN} , 200mA/div
 $V_{IN} = 3.3V$, $EN2 = EN3 = GND$, $C_{BP} = 0.01\mu F$



A. $V_{EN2} = 0$ to $3.3V$, 5V/div
 B. $V_{OUT2} = 2.8V$, $R_{OUT2} = 28\Omega$ (100mA), 2V/div
 C. $V_{BP} = 1.25V$, 1V/div
 D. I_{IN} , 200mA/div
 $V_{IN} = 3.3V$, $EN1 = IN$, $EN3 = GND$, $C_{BP} = 0.01\mu F$

Pin Description

| PIN | NAME | FUNCTION |
|-----|------|--|
| 1 | IN1 | Regulator 1 Input. Supply voltage can range from 2.5V to 5.5V. Bypass with a capacitor to GND (see <i>Capacitor Selection and Regulator Stability</i> section). |
| 2 | IN2 | Regulator 2 Input. Supply voltage can range from 2.5V to V_{IN1} . Bypass with a capacitor to GND (see <i>Capacitor Selection and Regulator Stability</i> section). |
| 3 | OUT2 | Regulator 2 Output. Sources up to 100mA. Bypass with a 2.2µF ceramic capacitor to GND. |
| 4 | EN1 | Active-High Enable Input for Regulator 1. A logic low shuts down the first linear regulator. In shutdown, OUT1 is pulled low through an internal 5kΩ resistor. Connect to IN1 for normal operation. |
| 5 | EN2 | Active-High Enable Input for Regulator 2. A logic low shuts down the second linear regulator. In shutdown, OUT2 is pulled low through an internal 5kΩ resistor. Connect to IN2 for normal operation. |
| 6 | EN3 | Active-High Enable Input for Regulator 3. A logic low shuts down the third linear regulator. In shutdown, OUT3 is pulled low through an internal 5kΩ resistor. Connect to IN3 for normal operation. |
| 7 | BP | 1.25V Voltage Reference Bypass Pin. Connect a 0.01µF ceramic bypass capacitor from BP to GND to minimize the output noise. Make no other connection to this pin. |
| 8 | GND | Ground. Connect both ground pins together externally, as close to the IC as possible. |
| 9 | IN3 | Regulator 3 Input. Supply voltage can range from 2.5V to V_{IN1} . Bypass with a capacitor to GND (see <i>Capacitor Selection and Regulator Stability</i> section). |
| 10 | OUT3 | Regulator 3 Output. Sources up to 100mA. Bypass with a 2.2µF ceramic capacitor to GND. |
| 11 | GND | Ground. Connect both ground pins together externally, as close to the IC as possible. |
| 12 | OUT1 | Regulator 1 Output. Sources up to 100mA. Bypass with a 2.2µF ceramic capacitor to GND. |
| EP | GND | Ground. THE EXPOSED PAD AND ALL FOUR CORNER TABS ON THE QFN PACKAGE ARE INTERNALLY CONNECTED TO GROUND. The exposed pad functions as a heatsink. Solder to a large pad or to the circuit board ground plane to maximize power dissipation. Do not use as device ground. |

Integrated Cellular RF-Section Power-Management IC

MAX8890

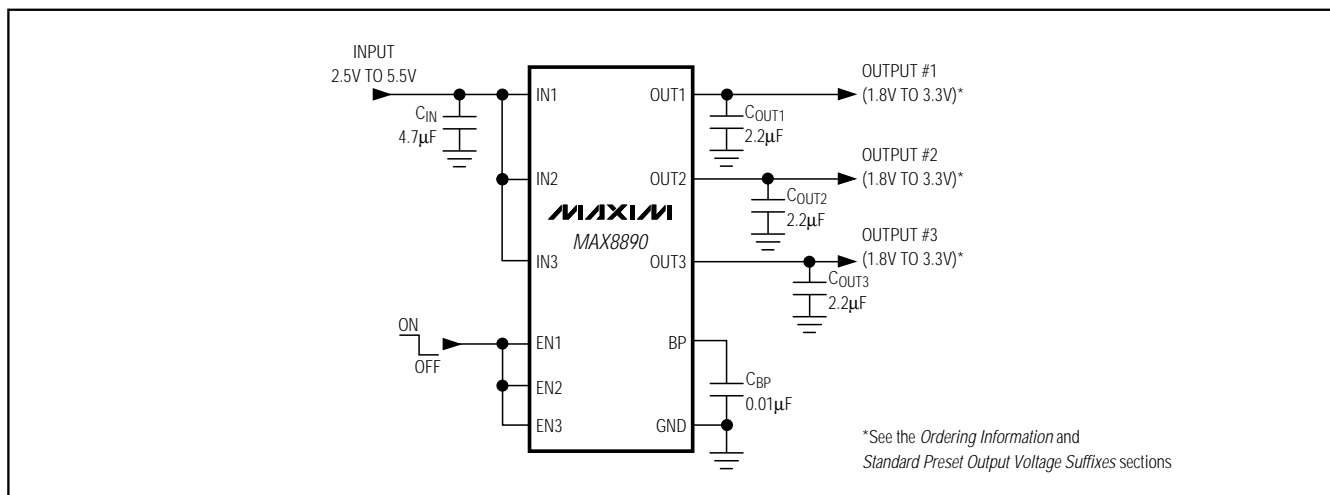


Figure 1. Typical Application Circuit

Detailed Description

The MAX8890 is an RF power-management IC for a cellular phone. The MAX8890 contains three low-noise, low quiescent current, low-dropout, linear regulators for powering the transmitter, receiver, synthesizer, TCXO, and voltage controlled oscillators (VCOs). Each low-dropout linear regulator (LDO) supplies loads up to 100mA and is available with preset output voltages from 1.8V to 3.3V in 50mV increments. Furthermore, the MAX8890's input voltage range of 2.5V to 5.5V is perfect for single-cell Li⁺ battery or 3-cell NiMH battery applications.

As illustrated in Figure 2, each regulator consists of an error amplifier, internal feedback resistive-divider, and P-channel MOSFET pass transistor. The output voltage feeds back through the internal resistive-divider connected to OUT₋. This feedback voltage connects to the error amplifier, which compares the feedback voltage with the internal 1.25V reference voltage and amplifies the difference. If the feedback voltage is lower than the reference voltage, the pass-transistor gate is pulled lower, which allows more current to flow to the output and increases the output voltage. If the feedback voltage is too high, the pass-transistor gate is pulled up, allowing less current to flow to the output.

Clear transmission and reception in a cellular phone can only be achieved with a low-noise power supply. Therefore, all three LDOs on the MAX8890 feature low output voltage noise, high power-supply rejection ratios, and excellent load and line regulation characteristics. Designed for single-cell Li⁺ battery applications where a pulsed current demand is required from the

battery, each LDO is designed with 45µV_{RMS} noise from 10Hz to 100kHz and PSRR of 67dB.

The MAX8890 also features output current limiting (short-circuit protection), a low-power shutdown mode, and thermal overload protection.

Internal P-Channel Pass MOSFET

Each linear regulator features a 0.5Ω P-channel MOSFET pass transistor. Unlike similar designs using PNP pass transistors, P-channel MOSFETs require no base drive, which reduces the quiescent current. PNP based regulators also waste considerable current in dropout when the pass transistor saturates and use high base-drive currents under large loads. The MAX8890 does not suffer from these problems and consumes only 180µA of quiescent current (all three regulators enabled).

Current Limit (Short-Circuit Protection)

The MAX8890 contains separate current-limit circuitry for each linear regulator. The device monitors and controls the gate voltage of each pass transistor, limiting the regulator's output current to 250mA (typ). The output can be shorted to ground for an indefinite period of time without damage to the part as long as the maximum continuous power dissipation rating is not exceeded.

Output Voltage Selection

The MAX8890 is supplied with factory-set output voltages from 1.8V to 3.3V in 50mV increments. The three-letter part number suffix identifies the output voltage for each regulator. For example, the MAX8890ETCAKM's output voltages are preset to 3.3V (V_{OUT1}), 2.5V (V_{OUT2}), and 1.8V (V_{OUT3}).

Integrated Cellular RF-Section Power-Management IC

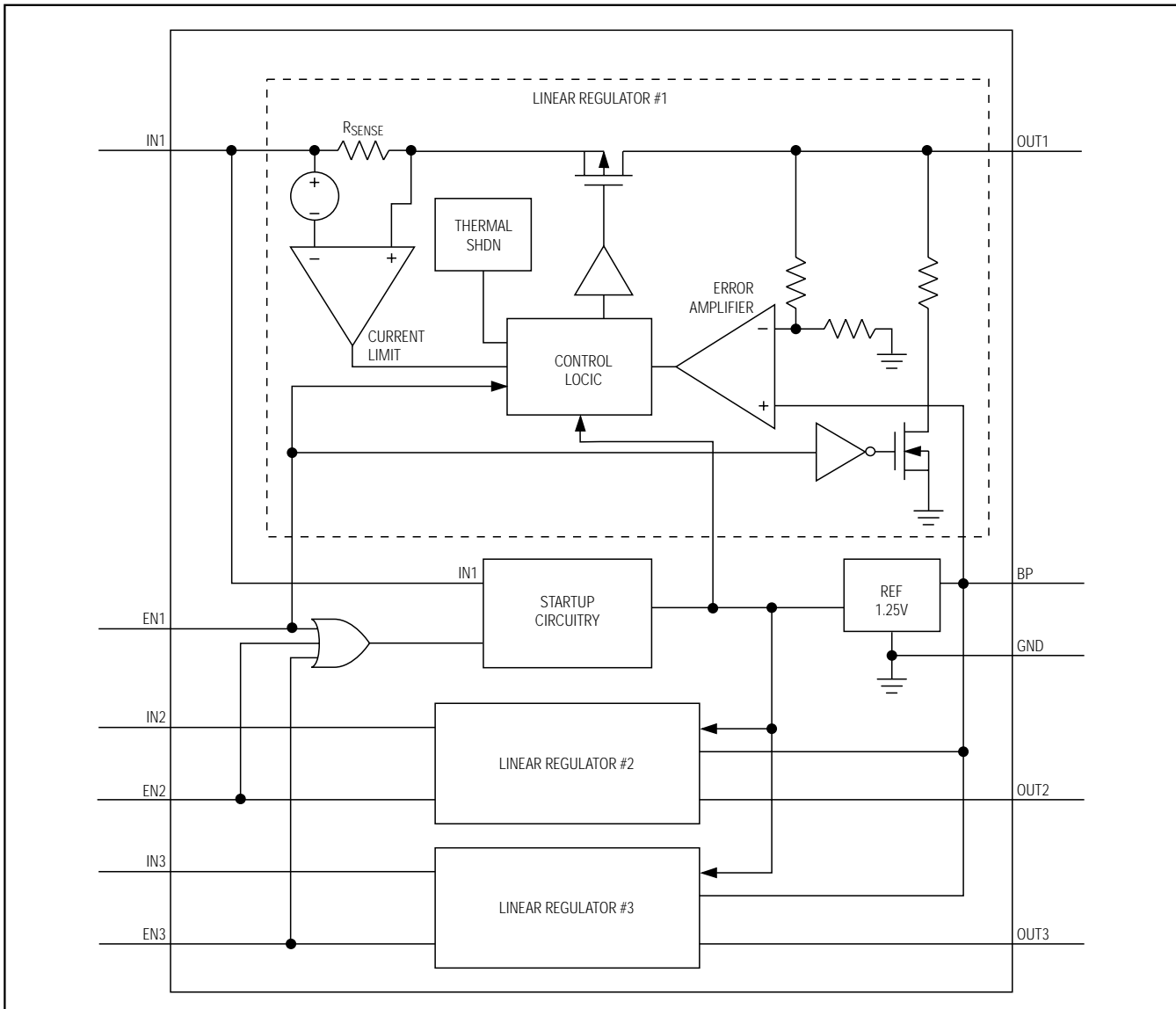


Figure 2. Functional Diagram

Enable

If any one of the three low-dropout linear regulators (LDOs) is enabled, the internal 1.25V reference powers up. Therefore, all three LDOs must be disabled to shut down the internal reference, reducing the supply current to 0.01 μ A.

Pull EN_n low to enter shutdown. When any one of the linear regulators is shutdown, the corresponding MAX8890 output disconnects from the corresponding input, and the output discharges through an internal

5k Ω resistor. The capacitance and load determine the rate at which V_{OUT_n} decays. Do not leave EN_n floating. Connect EN_n to IN_n for normal operation. EN_n can be pulled as high as 6V, regardless of the input and output voltages.

Thermal-Overload Protection

Thermal-overload protection limits the MAX8890's total power dissipation in the event of fault conditions. Each linear regulator has its own thermal-shutdown circuitry.

Integrated Cellular RF-Section Power-Management IC

MAX8890

When the junction temperature exceeds $T_J = 160^\circ\text{C}$, a thermal sensor activates the shutdown logic, disabling the overheated regulator. The thermal sensor turns the linear regulator on again after the regulator's junction temperature cools by 15°C , resulting in a pulsed output during continuous thermal-overload conditions. For continuous operation, do not exceed the absolute maximum junction-temperature rating of $T_J = 150^\circ\text{C}$.

Applications Information

Capacitor Selection and Regulator Stability

Capacitors are required at each input and each output of the MAX8890 for stable operation over the full load range and full temperature range. Connect a minimum $2.2\mu\text{F}$ ceramic capacitor between OUT_- and ground to ensure stability and optimum transient response. Use larger $10\mu\text{F}$ ceramic output capacitors for lower noise requirements.

The input capacitor (C_{IN_-}) lowers the source impedance of the input supply, thereby reducing the input noise and improving transient response. Connect a minimum $1\mu\text{F}$ ceramic capacitance between each IN_- and ground. Place all input and output capacitors as close to the MAX8890 as possible to minimize the impact of PC board trace impedance. Because IN_1 and IN_2 are next to each other, they may easily share a single $2.2\mu\text{F}$ or larger ceramic capacitor.

Surface-mount ceramic capacitors have very low ESR and are commonly available in values up to $10\mu\text{F}$. However, note that some ceramic dielectrics exhibit large capacitance and ESR variation with temperature. Z5U and Y5V dielectrics may require a minimum $3.3\mu\text{F}$ nominal output capacitance, especially with low temperature operation.

Reference Bypass Capacitor

An external bypass capacitor is connected to BP to reduce the inherent reference noise. The capacitor forms a lowpass filter in conjunction with an internal network. Use a $0.01\mu\text{F}$ or greater ceramic capacitor connected as close to BP as possible. Capacitance values greater than $0.01\mu\text{F}$ will increase the startup time. (See *Typical Operating Characteristics* for startup waveforms.) For the lowest noise, increase the bypass capacitor to $0.1\mu\text{F}$. Values above $0.1\mu\text{F}$ provide no performance improvement and are therefore not recommended. Do not place any additional loading on this reference bypass pin.

Noise, PSRR, and Transient Response

The MAX8890 is designed to operate with low dropout voltages and low quiescent currents in battery-powered systems while providing low noise, fast transient response, and high AC rejection. See the *Typical Operating Characteristics* for a plot of Power-Supply Rejection Ratio (PSRR) vs. Frequency. When operating from noisy sources, improved supply-noise rejection and transient response can be achieved by increasing the values of the input and output bypass capacitors and through passive filtering techniques.

The MAX8890 load-transient response graphs (see *Typical Operating Characteristics*) show two components of the output response: a DC shift from the output impedance due to the load current change and the transient response. Increasing the output capacitor's value and decreasing the ESR reduces the transient under/overshoot.

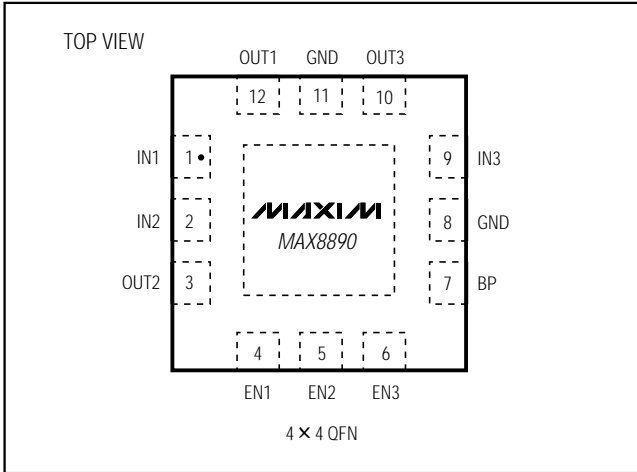
Input-Output (Dropout) Voltage

A regulator's minimum input-to-output voltage differential (dropout voltage) determines the lowest useable input supply voltage. Once the linear regulator reaches dropout, the series pass transistor is fully on and regulation ceases. The output voltage tracks the input voltage as the input voltage drops lower. Because the MAX8890 uses P-channel MOSFET pass transistors, its dropout voltage is a function of the MOSFET's drain-to-source on-resistance ($R_{\text{DS(ON)}}$) multiplied by the load current (see *Typical Operating Characteristics*):

$$V_{\text{DROPOUT}} = V_{\text{IN}_-} - V_{\text{OUT}_-} = R_{\text{DS(ON)}} \times I_{\text{OUT}_-}$$

Integrated Cellular RF-Section Power-Management IC

Pin Configuration



Standard Versions

| VERSION | TOP MARK |
|---------------|----------|
| MAX8890ETCAAA | AABG |
| MAX8890ETCDDD | AABH |
| MAX8890ETCGGG | AABI |
| MAX8890ETCMMM | AABJ |
| MAX8890ETCAKM | AABK |
| MAX8890ETCABK | AABN |

Chip Information

TRANSISTOR COUNT: 1472

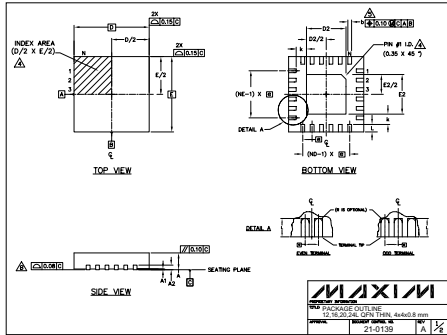
PROCESS: BICMOS

Integrated Cellular RF-Section Power-Management IC

Package Information

(The package drawing(s) in this data sheet may not reflect the most current specifications. For the latest package outline information, go to www.maxim-ic.com/packages.)

MAX8890



| COMMON DIMENSIONS | | | | | | | | | | | | EXPOSED PAD VARIATIONS | | | | | |
|-------------------|---------|------|------|---------|------|------|---------|------|------|---------|------|------------------------|------|------|------|------|------|
| PKG | 1EL 4x4 | | | 1EL 4x4 | | | 2EL 4x4 | | | 2EL 4x4 | | | PKG | 2E | 2E | 2E | 2E |
| MIN | MIN | MAX | MIN | MAX | MIN | MAX | MIN | MAX | MIN | MAX | MIN | MAX | MIN | MIN | MIN | MIN | MIN |
| A | 0.75 | 0.75 | 0.85 | 0.75 | 0.75 | 0.85 | 0.75 | 0.75 | 0.85 | 0.75 | 0.75 | 0.85 | 1.00 | 1.00 | 1.00 | 1.00 | 1.00 |
| A1 | 0.0 | 0.0 | 0.0 | 0.0 | 0.0 | 0.0 | 0.0 | 0.0 | 0.0 | 0.0 | 0.0 | 0.0 | 0.0 | 0.0 | 0.0 | 0.0 | 0.0 |
| A2 | 0.0 | 0.0 | 0.0 | 0.0 | 0.0 | 0.0 | 0.0 | 0.0 | 0.0 | 0.0 | 0.0 | 0.0 | 0.0 | 0.0 | 0.0 | 0.0 | 0.0 |
| B | 0.0 | 0.0 | 0.0 | 0.0 | 0.0 | 0.0 | 0.0 | 0.0 | 0.0 | 0.0 | 0.0 | 0.0 | 0.0 | 0.0 | 0.0 | 0.0 | 0.0 |
| C | 0.0 | 0.0 | 0.0 | 0.0 | 0.0 | 0.0 | 0.0 | 0.0 | 0.0 | 0.0 | 0.0 | 0.0 | 0.0 | 0.0 | 0.0 | 0.0 | 0.0 |
| D | 0.0 | 0.0 | 0.0 | 0.0 | 0.0 | 0.0 | 0.0 | 0.0 | 0.0 | 0.0 | 0.0 | 0.0 | 0.0 | 0.0 | 0.0 | 0.0 | 0.0 |
| E | 0.0 | 0.0 | 0.0 | 0.0 | 0.0 | 0.0 | 0.0 | 0.0 | 0.0 | 0.0 | 0.0 | 0.0 | 0.0 | 0.0 | 0.0 | 0.0 | 0.0 |
| F | 0.0 | 0.0 | 0.0 | 0.0 | 0.0 | 0.0 | 0.0 | 0.0 | 0.0 | 0.0 | 0.0 | 0.0 | 0.0 | 0.0 | 0.0 | 0.0 | 0.0 |
| G | 0.0 | 0.0 | 0.0 | 0.0 | 0.0 | 0.0 | 0.0 | 0.0 | 0.0 | 0.0 | 0.0 | 0.0 | 0.0 | 0.0 | 0.0 | 0.0 | 0.0 |
| H | 0.0 | 0.0 | 0.0 | 0.0 | 0.0 | 0.0 | 0.0 | 0.0 | 0.0 | 0.0 | 0.0 | 0.0 | 0.0 | 0.0 | 0.0 | 0.0 | 0.0 |
| I | 0.0 | 0.0 | 0.0 | 0.0 | 0.0 | 0.0 | 0.0 | 0.0 | 0.0 | 0.0 | 0.0 | 0.0 | 0.0 | 0.0 | 0.0 | 0.0 | 0.0 |
| J | 0.0 | 0.0 | 0.0 | 0.0 | 0.0 | 0.0 | 0.0 | 0.0 | 0.0 | 0.0 | 0.0 | 0.0 | 0.0 | 0.0 | 0.0 | 0.0 | 0.0 |
| K | 0.0 | 0.0 | 0.0 | 0.0 | 0.0 | 0.0 | 0.0 | 0.0 | 0.0 | 0.0 | 0.0 | 0.0 | 0.0 | 0.0 | 0.0 | 0.0 | 0.0 |
| L | 0.0 | 0.0 | 0.0 | 0.0 | 0.0 | 0.0 | 0.0 | 0.0 | 0.0 | 0.0 | 0.0 | 0.0 | 0.0 | 0.0 | 0.0 | 0.0 | 0.0 |
| M | 0.0 | 0.0 | 0.0 | 0.0 | 0.0 | 0.0 | 0.0 | 0.0 | 0.0 | 0.0 | 0.0 | 0.0 | 0.0 | 0.0 | 0.0 | 0.0 | 0.0 |
| N | 0.0 | 0.0 | 0.0 | 0.0 | 0.0 | 0.0 | 0.0 | 0.0 | 0.0 | 0.0 | 0.0 | 0.0 | 0.0 | 0.0 | 0.0 | 0.0 | 0.0 |
| O | 0.0 | 0.0 | 0.0 | 0.0 | 0.0 | 0.0 | 0.0 | 0.0 | 0.0 | 0.0 | 0.0 | 0.0 | 0.0 | 0.0 | 0.0 | 0.0 | 0.0 |
| P | 0.0 | 0.0 | 0.0 | 0.0 | 0.0 | 0.0 | 0.0 | 0.0 | 0.0 | 0.0 | 0.0 | 0.0 | 0.0 | 0.0 | 0.0 | 0.0 | 0.0 |
| Q | 0.0 | 0.0 | 0.0 | 0.0 | 0.0 | 0.0 | 0.0 | 0.0 | 0.0 | 0.0 | 0.0 | 0.0 | 0.0 | 0.0 | 0.0 | 0.0 | 0.0 |
| R | 0.0 | 0.0 | 0.0 | 0.0 | 0.0 | 0.0 | 0.0 | 0.0 | 0.0 | 0.0 | 0.0 | 0.0 | 0.0 | 0.0 | 0.0 | 0.0 | 0.0 |
| S | 0.0 | 0.0 | 0.0 | 0.0 | 0.0 | 0.0 | 0.0 | 0.0 | 0.0 | 0.0 | 0.0 | 0.0 | 0.0 | 0.0 | 0.0 | 0.0 | 0.0 |
| T | 0.0 | 0.0 | 0.0 | 0.0 | 0.0 | 0.0 | 0.0 | 0.0 | 0.0 | 0.0 | 0.0 | 0.0 | 0.0 | 0.0 | 0.0 | 0.0 | 0.0 |
| U | 0.0 | 0.0 | 0.0 | 0.0 | 0.0 | 0.0 | 0.0 | 0.0 | 0.0 | 0.0 | 0.0 | 0.0 | 0.0 | 0.0 | 0.0 | 0.0 | 0.0 |
| V | 0.0 | 0.0 | 0.0 | 0.0 | 0.0 | 0.0 | 0.0 | 0.0 | 0.0 | 0.0 | 0.0 | 0.0 | 0.0 | 0.0 | 0.0 | 0.0 | 0.0 |
| W | 0.0 | 0.0 | 0.0 | 0.0 | 0.0 | 0.0 | 0.0 | 0.0 | 0.0 | 0.0 | 0.0 | 0.0 | 0.0 | 0.0 | 0.0 | 0.0 | 0.0 |
| X | 0.0 | 0.0 | 0.0 | 0.0 | 0.0 | 0.0 | 0.0 | 0.0 | 0.0 | 0.0 | 0.0 | 0.0 | 0.0 | 0.0 | 0.0 | 0.0 | 0.0 |
| Y | 0.0 | 0.0 | 0.0 | 0.0 | 0.0 | 0.0 | 0.0 | 0.0 | 0.0 | 0.0 | 0.0 | 0.0 | 0.0 | 0.0 | 0.0 | 0.0 | 0.0 |
| Z | 0.0 | 0.0 | 0.0 | 0.0 | 0.0 | 0.0 | 0.0 | 0.0 | 0.0 | 0.0 | 0.0 | 0.0 | 0.0 | 0.0 | 0.0 | 0.0 | 0.0 |

NOTES:

- UNLESS OTHERWISE SPECIFIED, DIMENSIONS CONFORM TO ASME Y14.5M-1994.
- ALL DIMENSIONS ARE IN MILLIMETERS UNLESS OTHERWISE SPECIFIED.
- N IS THE TOTAL NUMBER OF TERMINALS.
- THE NUMBER OF EXPOSED PADS AND TERMINAL NUMBERING CONVENTION SHALL CONFORM TO JEDEC JE-3D-1.2. DETAILS OF TERMINAL PITCHES ARE OPTIONAL, BUT MUST BE LOCATED WITHIN THE ZONE INDICATED. THE TERMINAL PITCHES MAY BE OTHER THAN INDICATED.
- DIMENSION B APPLIES TO METALLIZED TERMINAL AND IS MEASURED BETWEEN 0.25 mm AND 0.30 mm FROM TERMINAL TOP.
- DO NOT REFER TO THE NUMBER OF TERMINALS ON EACH D AND E SIDE RESPECTIVELY.
- REPRODUCTION IS POSSIBLE IN A DIMENSIONAL FORMAT.
- COPPLANARITY APPLIES TO THE EXPOSED HEAT SINK SLUG AS WELL AS THE TERMINALS.
- DRAWING CONFORMS TO JEDEC MO-220.

Integrated Cellular RF-Section Power-Management IC

Package Information (continued)

(The package drawing(s) in this data sheet may not reflect the most current specifications. For the latest package outline information, go to www.maxim-ic.com/packages.)

Maxim cannot assume responsibility for use of any circuitry other than circuitry entirely embodied in a Maxim product. No circuit patent licenses are implied. Maxim reserves the right to change the circuitry and specifications without notice at any time.

12 _____ Maxim Integrated Products, 120 San Gabriel Drive, Sunnyvale, CA 94086 408-737-7600

SITE
SEARCHPART NO.
SEARCH

WHAT'S NEW

PRODUCTS

SOLUTIONS

DESIGN

APPNOTES

SUPPORT

BUY

COMPANY

MEMBERS

MAX8890

Part Number Table

Notes:

1. See the [MAX8890 QuickView Data Sheet](#) for further information on this product family or download the [MAX8890 full data sheet](#) (PDF, 240kB).
2. Other options and links for purchasing parts are listed at: <http://www.maxim-ic.com/sales>.
3. [Didn't Find What You Need?](#) Ask our applications engineers. Expert assistance in finding parts, usually within one business day.
4. Part number suffixes: T or T&R = tape and reel; + = RoHS/lead-free; # = RoHS/lead-exempt. More: See [full data sheet](#) or [Part Naming Conventions](#).
5. * Some packages have variations, listed on the drawing. "PkgCode/Variation" tells which variation the product uses.

| Part Number | Free Sample | Buy Direct | Package: TYPE PINS SIZE DRAWING CODE/VAR * | Temp | RoHS/Lead-Free? Materials Analysis |
|-----------------|--------------------------|--------------------------|---|--------------|--|
| MAX8890ETCJJJ+T | <input type="checkbox"/> | <input type="checkbox"/> | | -40C to +85C | RoHS/Lead-Free: Yes |
| MAX8890ETCJJJ | <input type="checkbox"/> | <input type="checkbox"/> | THIN QFN;12 pin;4X4X0.8mm Dwg: 21-0139E (PDF) Use pkgcode/variation: T1244-4* | -40C to +85C | RoHS/Lead-Free: No Materials Analysis |
| MAX8890ETCJJJ-T | <input type="checkbox"/> | <input type="checkbox"/> | THIN QFN;12 pin;4X4X0.8mm Dwg: 21-0139E (PDF) Use pkgcode/variation: T1244-4* | -40C to +85C | RoHS/Lead-Free: No Materials Analysis |
| MAX8890ETCAAA+T | <input type="checkbox"/> | <input type="checkbox"/> | | -40C to +85C | RoHS/Lead-Free: Yes |
| MAX8890ETCAAA+ | <input type="checkbox"/> | <input type="checkbox"/> | THIN QFN;12 pin;4X4X0.8mm Dwg: 21-0139E (PDF) Use pkgcode/variation: T1244+4* | -40C to +85C | RoHS/Lead-Free: Yes Materials Analysis |
| MAX8890ETCJJJ+ | <input type="checkbox"/> | <input type="checkbox"/> | THIN QFN;12 pin;4X4X0.8mm Dwg: 21-0139E (PDF) Use pkgcode/variation: T1244+4* | -40C to +85C | RoHS/Lead-Free: Yes Materials Analysis |
| MAX8890ETCABK+T | <input type="checkbox"/> | <input type="checkbox"/> | THIN QFN;12 pin;4X4X0.8mm Dwg: 21-0139E (PDF) Use pkgcode/variation: T1244+4* | -40C to +85C | RoHS/Lead-Free: Yes Materials Analysis |

| | | | | | |
|-----------------|--|--|---|--------------|---|
| MAX8890ETCABK+ | | | THIN QFN;12 pin;4X4X0.8mm Dwg: 21-0139E (PDF) Use pkgcode/variation: T1244+4* | -40C to +85C | RoHS/Lead-Free: Yes Materials Analysis |
| MAX8890ETCDDD+T | | | THIN QFN;12 pin;4X4X0.8mm Dwg: 21-0139E (PDF) Use pkgcode/variation: T1244+4* | -40C to +85C | RoHS/Lead-Free: Yes Materials Analysis |
| MAX8890ETCDDD+ | | | THIN QFN;12 pin;4X4X0.8mm Dwg: 21-0139E (PDF) Use pkgcode/variation: T1244+4* | -40C to +85C | RoHS/Lead-Free: Yes Materials Analysis |
| MAX8890ETCMMM-T | | | THIN QFN;12 pin;4X4X0.8mm Dwg: 21-0139E (PDF) Use pkgcode/variation: T1244-4* | -40C to +85C | RoHS/Lead-Free: No Materials Analysis |
| MAX8890ETCMMM | | | THIN QFN;12 pin;4X4X0.8mm Dwg: 21-0139E (PDF) Use pkgcode/variation: T1244-4* | -40C to +85C | RoHS/Lead-Free: No Materials Analysis |
| MAX8890ETCAAA-T | | | | -40C to +85C | RoHS/Lead-Free: No |
| MAX8890ETCAKM | | | THIN QFN;12 pin;4X4X0.8mm Dwg: 21-0139E (PDF) Use pkgcode/variation: T1244-4* | -40C to +85C | RoHS/Lead-Free: No Materials Analysis |
| MAX8890ETCAKM-T | | | | -40C to +85C | RoHS/Lead-Free: No |
| MAX8890ETCBBB | | | THIN QFN;12 pin;4X4X0.8mm Dwg: 21-0139E (PDF) Use pkgcode/variation: T1244-4* | -40C to +85C | RoHS/Lead-Free: No Materials Analysis |
| MAX8890ETCBBB-T | | | THIN QFN;12 pin;4X4X0.8mm Dwg: 21-0139E (PDF) Use pkgcode/variation: T1244-4* | -40C to +85C | RoHS/Lead-Free: No Materials Analysis |
| MAX8890ETCDDD | | | THIN QFN;12 pin;4X4X0.8mm Dwg: 21-0139E (PDF) Use pkgcode/variation: T1244-4* | -40C to +85C | RoHS/Lead-Free: No Materials Analysis |
| MAX8890ETCDDD-T | | | THIN QFN;12 pin;4X4X0.8mm Dwg: 21-0139E (PDF) Use pkgcode/variation: T1244-4* | -40C to +85C | RoHS/Lead-Free: No Materials Analysis |
| MAX8890ETCGGG | | | THIN QFN;12 pin;4X4X0.8mm Dwg: 21-0139E (PDF) Use pkgcode/variation: T1244-4* | -40C to +85C | RoHS/Lead-Free: No Materials Analysis |
| MAX8890ETCGGG-T | | | | -40C to +85C | RoHS/Lead-Free: No |
| MAX8890ETCAAA | | | THIN QFN;12 pin;4X4X0.8mm Dwg: 21-0139E (PDF) Use pkgcode/variation: T1244-4* | -40C to +85C | RoHS/Lead-Free: No Materials Analysis |

[Didn't Find What You Need?](#)

[CONTACT US: SEND US AN EMAIL](#)

Copyright 2007 by Maxim Integrated Products, Dallas Semiconductor • [Legal Notices](#) • [Privacy Policy](#)