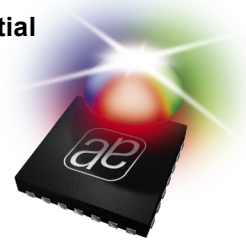


AS3636

Preliminary Datasheet, Confidential

Xenon Driver IC with LED Driver and Life Time Counter



1 General Description

The AS3636 is a highly integrated photoflash charger including IGBT driver, inductive DCDC boost autofocus/video LED driver, an indicator LED driver and it includes system level ESD protection and a breakable fuse.

The AS3636 includes flash timeout, over- and undervoltage, overtemperature and LED short circuit protection functions. To reduce production test time a broken transformer or a broken coil is detected.

The AS3636 is controlled by an I²C interface with a dedicated STROBE input. Additionally the TORCH input controls the torch function. An interrupt output is available to signal an error condition to the controller.

The device includes 11 Bytes EEPROM, and an automatic life time counter to count the number of flashes performed.

The AS3636 is available in a space-saving WL-CSP package and operates over the -30°C to +85°C temperature range.

Warning: Lethal voltages are present on applications using AS3636! Do not operate without training to handle high voltages.



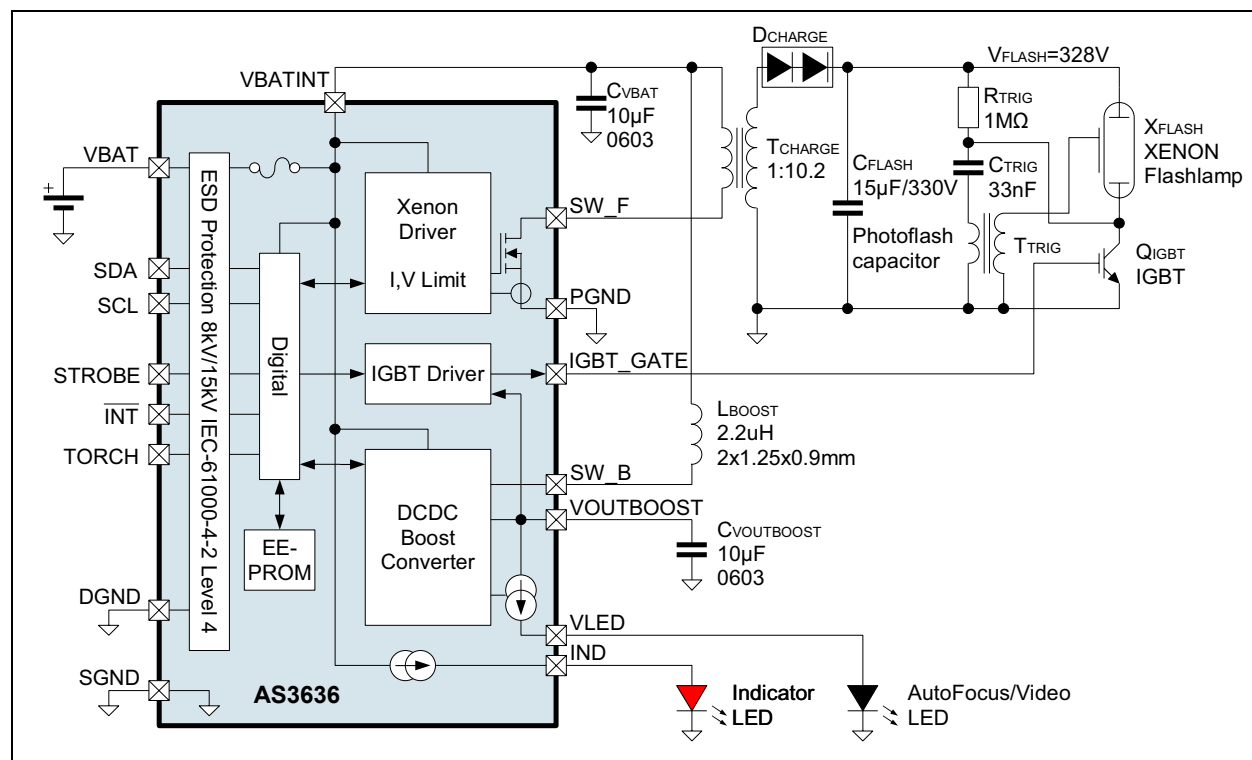
2 Key Features

- Xenon driver
 - Adjustable recharge timings
 - Adjustable current limits
 - In-production trimmable end of charge voltage
 - Photosensor support
- IGBT Driver
 - Trimmable IGBT voltages
 - Trimmable IGBT driving waveform
 - Internal flash duration timer
 - External STROBE input
- DCDC Boost Converter
 - Autofocus/video LED current source
 - Voltage supply for IGBT
- Integrated one time breakable fuse in supply path
- Integrated system level ESD protection according to IEC-61000-4-2 Level 4 (8kV contact, 15kV air discharge)
- Available in tiny WL-CSP Packages
 - 4x4 balls 0.5mm pitch,
 - 2.0 x 2.15 x 0.6 mm

3 Applications

Xenon Flash with LED Torch for mobile phones

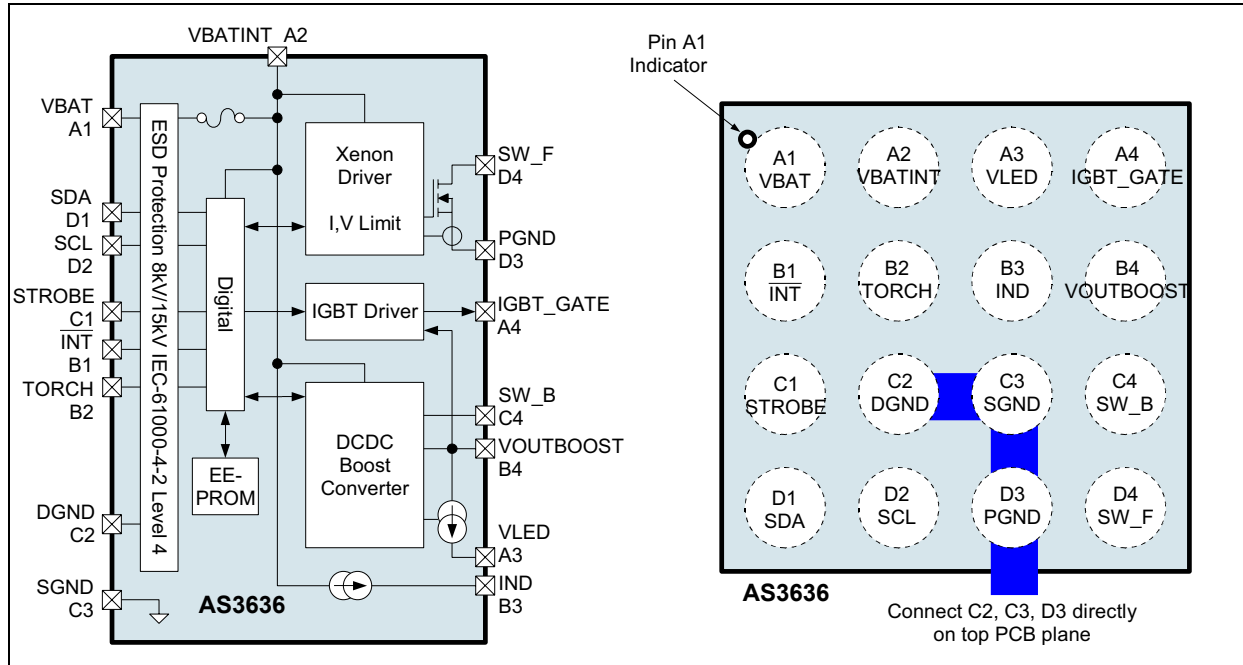
Figure 1. AS3636 Typical Operating Circuit



4 Pinout

Pin Assignment

Figure 2. Pin Assignments (Top View)



Pin Description

Table 1. Pin Description for AS3636

Pin Number	Pin Name	Description
A1	VBAT	Power supply voltage input
A2	VBATINT	Fuse output and internal power supply input - make a short connection to capacitor C _{VBAT}
A3	VLED	Autofocus (AF) / Torch LED output
A4	IGBT_GATE	Drive signal output for IGBT Transistor
B1	$\overline{\text{INT}}$	Interrupt output, open drain, active low
B2	TORCH	Torch signal input pin; internal pulldown resistor; connect to GND if not used
B3	IND	(Red) Indicator LED output - connect to GND if not used (set ILP=0)
B4	VOUTBOOST	DCDC Boost converter output - make a short connection to C _{VOUTBOOST}
C1	STROBE	Strobe signal input pin to synchronize the flash pulse - usually connected to the camera processor; internal pulldown resistor to GND
C2	DGND	Digital ground supply - connect directly to ground (GND)
C3	SGND	Analog signal ground - connect directly to ground (GND)
C4	SW_B	DCDC Boost converter switching node - connect to coil L _{BOOST}
D1	SDA	serial data input for I ² C interface
D2	SCL	serial clock input for I ² C interface
D3	PGND	Power ground for Xenon and DCDC Boost - connect directly to ground (GND)
D4	SW_F	Xenon DCDC converter switching node - connect to transformer T _{CHARGE}

5 Absolute Maximum Ratings

Stresses beyond those listed in Table 2 may cause permanent damage to the device. These are stress ratings only, and functional operation of the device at these or any other conditions beyond those indicated in Table 3, "Electrical Characteristics," on page 4 is not implied. Exposure to absolute maximum rating conditions for extended periods may affect device reliability.

Table 2. Absolute Maximum Ratings

Parameter	Min	Max	Units	Comments
VBAT, VBATINT to GND	-0.3	+7.0	V	
SDA, SCL, STROBE, $\overline{\text{INT}}$, TORCH, IGBT_GATE, SW_B, VOUTBOOST, VLED, IND to GND	-0.3	VBATINT + 0.3	V	max. 7.0V
SW_F to GND	-0.3	+55.0	V	
VOUTBOOST to SW_B	-0.3		V	Note: Diode between VOUTBOOST and SW_B
SGND, DGND, PGND to GND	0.0	0.0	V	Connect SGND, DGND and PGND to GND directly below the pad (short connection required)
Input Pin Current without causing latchup	-100	+100 +I _{IN}	mA	Norm: EIA/JESD78
Continuous Power Dissipation (T_A = +70°C)				
Continuous power dissipation		1	W	P _T ¹
Continuous power dissipation derating factor		14.7	mW/°C	P _{DERATE} ²
Electrostatic Discharge				
ESD pins VBAT, SDA, SCL, STROBE, $\overline{\text{INT}}$, TORCH		±15000	V	Air Discharge to module; IEC 61000 -4 -2 test bench ³
		±8000	V	Contact Test to module; IEC 61000 -4 -2 test bench ³
ESD HBM		±2000	V	Norm: MIL 883 E Method 3015
ESD CDM		±500	V	Norm: JEDEC JESD 22-C101C
ESD MM		±100	V	Norm: JEDEC JESD 22-A115-A level A
Temperature Ranges and Storage Conditions				
Junction Temperature		+150	°C	Internally limited (overtemperature protection)
Storage Temperature Range	-55	+125	°C	
Humidity	5	85	%	Non condensing
Body Temperature during Soldering		+260	°C	according to IPC/JEDEC J-STD-020C
Fuse				
Fuse Melting time - IFUSE_LIMIT		1000	ms	at 1.5A
		typ. 100	ms	at 2A
Fuse operating current - IFUSE		650	mA	

1. Depending on actual PCB layout and PCB used; for peak power dissipation during flashing see document 'AS3636 Thermal Measurements'
2. P_{DERATE} derating factor changes the total continuous power dissipation (P_T) if the ambient temperature is not 70°C. Therefore for e.g. T_{AMB}=85°C calculate P_T at 85°C = P_T - P_{DERATE} * (85°C - 70°C)
3. Assembled on PCB board (requires capacitor C_{VBAT}); system test for completed module (fully capsuled), no permanent interruption of operation; proper layout required

6 Electrical Characteristics

VBAT = +2.7V to +5.5V, TAMB = -30°C to +85°C, unless otherwise specified. Typical values are at VBAT = +3.7V, TAMB = +25°C, unless otherwise specified.

Table 3. Electrical Characteristics

Symbol	Parameter	Condition	Min	Typ	Max	Unit
General Operating Conditions						
VBAT	Supply Voltage		2.7	3.7	4.4	V
VBATFUNCTIONAL	Supply Voltage	AS3636 functionally working, but not all parameters fulfilled	2.3		5.5 ¹	V
ISHUTDOWN ²	Shutdown Current	Shutdown or standby mode, VBAT < 3.7V 0°C < TAMB < 50°C		0.5	1.0	μA
ISTANBY ¹	Standby Current				TBD	
ISTROBEWAIT	Current when AS3636 is waiting for strobe	DCDC operating, IGBT driver enabled		5		mA
TAMB	Operating Temperature		-30	25	85	°C
VUVLO	Undervoltage Lockout	Falling VIN	2.1	2.2	2.3	V
		Rising VIN	VUVLO+0.05	VUVLO+0.1	VUVLO+0.15	V
TOVTEMP	Overtemperature Protection	Junction temperature		144		°C
TOVTEMPHYST	Overtemperature Hysteresis			5		°C
Fuse						
RFUSE	Fuse resistance	Fuse melting times: see Table 2 on page 3			0.2	Ω
EEPROM						
tee_WRITE	EEPROM writing time		10	14.5	24	ms
Xenon Capacitor Charger						
VTRIPRANGE	Programming range of VTRIP	6 bit programming measured on pin SW_F Allows in-circuit trimming of the final charged voltage VFLASH on capacitor CFLASH	28.5		34.8	V
VTRIPΔ	Comparator trip voltage accuracy	VFLASH=328V, TJ=15°C...50°C using nominal valued components	-0.5		+0.5	%
		VFLASH=328V using nominal valued components	-1.5		+0.5	%
η	Charging Efficiency	System Target only; depends on external components used	60			%
Vsw	Maximum voltage on pin SW				50	V
Isw	Switching current limit	Accuracy at typical setting	-10%	750	+10%	mA
		Adjustable range by register switch_current_selection (see page 29)	375	750	900	mA
teoc_DET		end of charge comparator trigger time - see Figure 4, "AS3636 Internal Circuit," on page 9	128	138	148	ns
DCDC Step Up Converter						
VVOUTBOOST	DCDC Boost output Voltage (pin VOUTBOOST)	Voltage feedback mode (e.g. if used for IGBT driver)	4.75	5.0	5.25	V
		Current feedback mode; max. VVOUTBOOSTMAX	VLED+0.4			V

Table 3. Electrical Characteristics (Continued)

Symbol	Parameter	Condition	Min	Typ	Max	Unit	
fCLK	Operating Frequency	All internal timings are derived from this oscillator	-30°C - 85°C	-7.5%	2.0	+7.5%	MHz
			T _J =0°C - 75°C	-5.0%		+5.0%	
AF LED Driver							
I _{VLED}	VLED current source output	Adjustable by AF_LED_current , limited to Max_LED_current	10.0		80.0	mA	
I _{VLEDΔ}	VLED current source accuracy		-7.5		+7.5	%	
V _{VLED}	VLED forward voltage		1.7		3.6	V	
V _{VLED_COM P}	Current Source Compliance	VOUTBOOST-VLED current source voltage compliance		200	350	mV	
Red privacy indicator LED (pin IND)							
I _{IND}	IND current source output	adjustable by IND_LED_current	2		16	mA	
I _{INDΔ}	IND current source accuracy	V _{BATINT} > 2.7V, indicator LED forward voltage between 1.3V and 2.4V (e.g. use red LED)	-10		+10	%	
IGBT Driver (pin IGBT_GATE)							
R _{IGBT_GATE}	Output driver series resistance	measured at IGBT_fall_speed2zero =50mA, V(IGBT_GATE)=0.8V	17	20	23	Ω	
		all current settings and output voltages	17	20		Ω	
I _{IGBT_RISE}	IGBT_GATE rise current	For a IGBT with 10nF gate capacitance results in 0.5V/μs(5mA)...8V/μs(80mA); adjustable by IGBT_rise_and_fall_speed ,	10		80	mA	
I _{IGBT_FALL}	IGBT_GATE fall current	IGBT_fall_speed2zero , IGBT_fall2zero_slow Driving to V _{VOUTBOOST} (typ. 5.0V, DCDC in voltage feedback mode)	5		80	mA	
Protection and Fault Detection Functions							
V _{VOUTBOOS TMAX}	DCDC Boost maximum voltage	in current feedback mode	4.75		5.5	V	
I _{LIMIT}	Current Limit for coil L _{BOOST} (Pin SW_B) measured at 50% PWM duty cycle ³	coil_peak_current =		-10%	0.25 0.3 0.35 0.4	+10% A	
V _{VLEDSHORT T}	AF LED short circuit detection voltage	Voltage measured on pin VLED		1.2	1.65	V	
V _{VLEDOPEN}	AF LED open circuit detection voltage	Voltage measured on pin VLED		4.0		V	
V _{INDSHORT}	Indicator LED short circuit detection voltage	Voltage measured on pin IND		0.7	1.2	V	
I _{IND_OUT OPEN}	IND current open detection	Detection threshold for open indicator detection on pin IND		45		% of I _{IND_OUT}	
Digital Interface							
V _{IH}	High Level Input Voltage	Pins SDA, SCL, TORCH	1.26		V _{BAT}	V	
V _{IL}	Low Level Input Voltage		0.0		0.54	V	

Table 3. Electrical Characteristics (Continued)

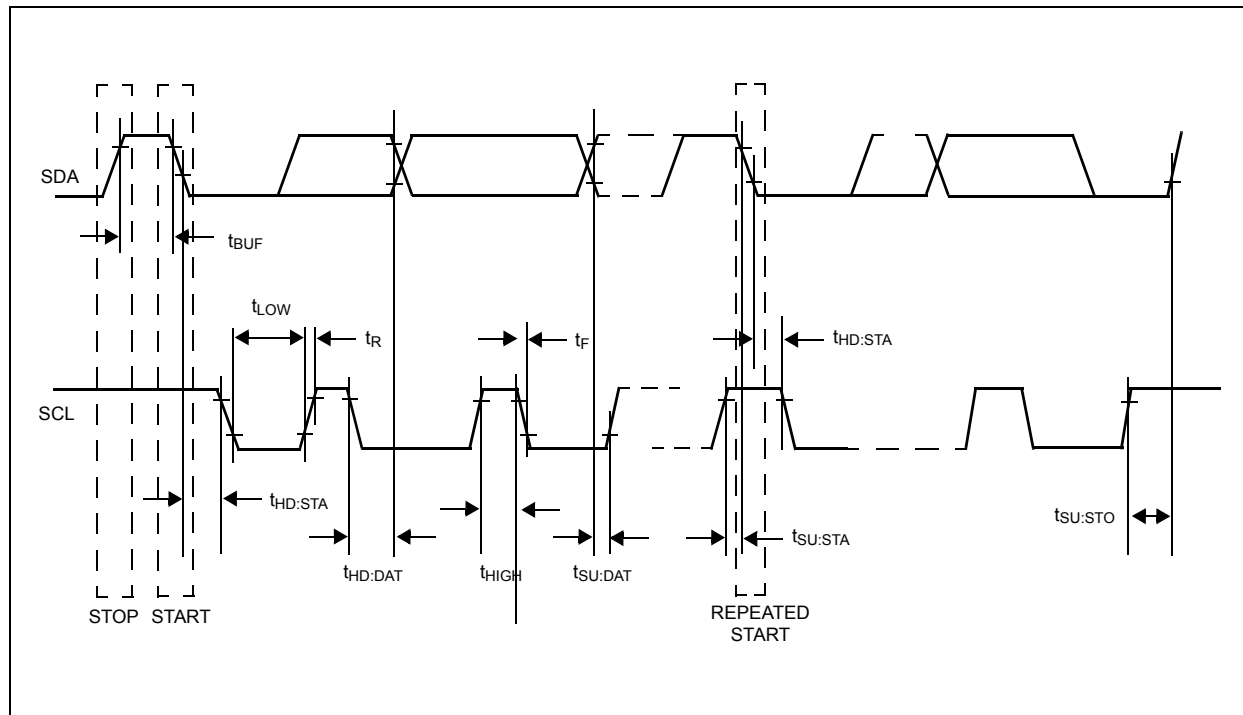
Symbol	Parameter	Condition	Min	Typ	Max	Unit	
VIHSTROBE	High Level Input Voltage	Pin STROBE	0.74		VBAT	V	
VILSTROBE	Low Level Input Voltage		0.0		0.54	V	
VOL	Low Level Output Voltage	Pins $\overline{\text{INT}}$ and SDA; IOL=3mA			0.2	V	
I _{LEAK}	Leakage current	Pins SDA, SCL, $\overline{\text{INT}}$	-10		+10	μA	
R _{PULLDOWN}	Pulldown resistor to GND	Pins TORCH and STROBE	at 1.8V	35	48	65	kΩ
			at 1.2V		37.5		kΩ
t _{DEBTORCH}	TORCH debounce time		6.3	9	11.7	ms	
t _{STROBE_MIN}	STROBE minimum timing			200		ns	
I²C mode timings - see Figure 3 on page 7							
t _{TIMEOUT}	SCL timeout	In active mode, if SCL is low for this time, the device enters shutdown mode - see Figure 5, "AS3636 operating mode," on page 10	35		100	ms	
f _{SCLK}	SCL Clock Frequency		30		400k	Hz	
t _{BUF}	Bus Free Time Between a STOP and START Condition		1.3			μs	
t _{HD:STA}	Hold Time (Repeated) START Condition ⁴		0.6			μs	
t _{LOW}	LOW Period of SCL Clock		1.3			μs	
t _{HIGH}	HIGH Period of SCL Clock		0.6			μs	
t _{SU:STA}	Setup Time for a Repeated START Condition		0.6			μs	
t _{HD:DAT}	Data Hold Time ⁵		0		0.9	μs	
t _{SU:DAT}	Data Setup Time ⁶		100			ns	
t _R	Rise Time of Both SDA and SCL Signals		20 + 0.1C _B		300	ns	
t _F	Fall Time of Both SDA and SCL Signals		20 + 0.1C _B		300	ns	
t _{SU:STO}	Setup Time for STOP Condition		0.6			μs	
C _B	Capacitive Load for Each Bus Line	C _B — total capacitance of one bus line in pF			400	pF	
C _{I/O}	I/O Capacitance (SDA, SCL)				10	pF	
Transformer Parameters - only use transformers approved by austriamicrosystems, see Recommended Transformers on page 37							
L _{PRIMARY}	Primary Inductance		6			μH	
L _{LEAK}	Primary Leakage Inductance				0.4	μH	

Table 3. Electrical Characteristics (Continued)

Symbol	Parameter	Condition	Min	Typ	Max	Unit
N	Turns Ratio	for $V_{FLASH}=330V$ (final charged voltage on CFLASH)	10.2			
VISOLATION	Isolation Voltage		500			V
ISATURATION	Primary Saturation Current		0.84			A
RPRIMARY	Primary Winding Resistance				0.4	Ω
RSECONDARY	Secondary Winding Resistance				60	Ω

1. The overvoltage protection of the DCDC step up converter (pin VOUTBOOST) will trigger above 5.4V thus shutting down the DCDC converter.
2. ISHUTDOWN or ISTANBY includes leakage current for SW_B and SW_F.
3. Due to slope compensation of the current limit, I_{LIMIT} changes with duty cycle.
4. After this period, the first clock pulse is generated.
5. A device must internally provide a hold time of at least 300ns for the SDA signal (referred to the V_{IHMIN} of the SCL signal) to bridge the undefined region of the falling edge of SCL.
6. A fast-mode device can be used in a standard-mode system, but the requirement $t_{SU:DAT} =$ to 250ns must then be met. This is automatically the case if the device does not stretch the LOW period of the SCL signal. If such a device does stretch the LOW period of the SCL signal, it must output the next data bit to the SDA line $t_{Rmax} + t_{SU:DAT} = 1000 + 250 = 1250ns$ before the SCL line is released.

Timing Diagrams

Figure 3. I²C mode Timing Diagram

7 Typical Operating Characteristics

V_{BAT} = 3.7V, T_{AMB} = +25°C (unless otherwise specified)

Charging Waveform (V_{FLASH} vs. time at 2.7V, 3.7V, 4.2V; I_{BAT} vs. time)

Charging time (time[s] vs. V_{BAT})

V_{FLASH} Output voltage vs. V_{BAT} (at -30°C, 25°C, 85°C)

V_{FLASH} Output voltage vs. T_{AMB}

Switching waveform details (single cycle: V_{SW_F}, I_{BAT})

IGBT Drive waveforms for short pulses (e.g. 5µs) STROBE, IGBT_GATE vs. time

DCDC Boost Efficiency vs. V_{BAT}

DCDC Boost Application Efficiency (P_{LED}/P_{V_{BAT}}) vs. V_{BAT}

I_{BAT} startup for Torch/AF LED

I_{VLED} output vs. T_{AMB} in Assist mode

Oscillator frequency f_{CLK} vs. T_{AMB}

TBD

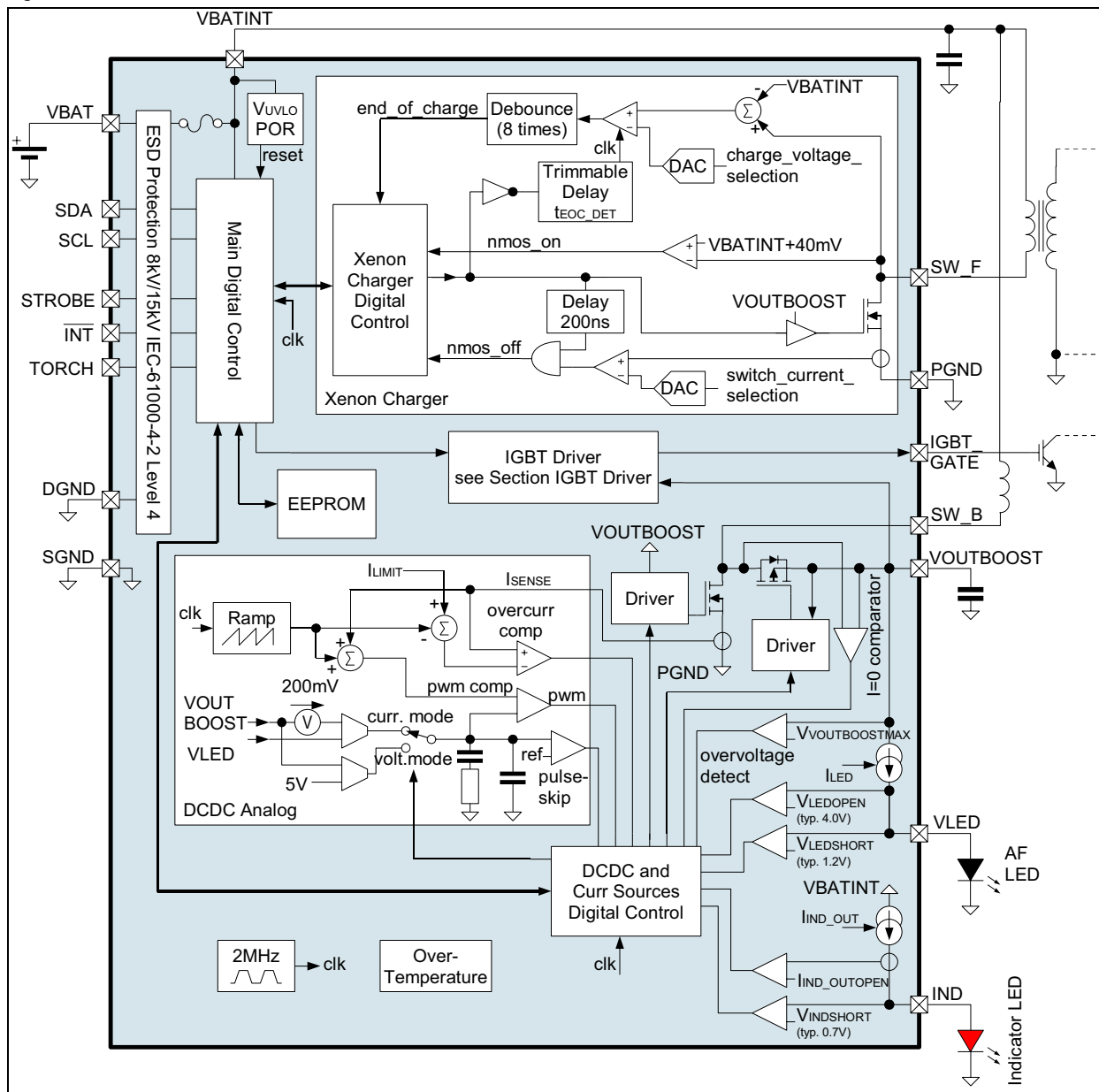
8 Detailed Description

The AS3636 is a highly integrated photoflash charger with built in IGBT driver, inductive DCDC boost autofocus/video LED driver, an indicator LED driver and it includes system level ESD protection and a breakable fuse. The integrated fuse will be blown if there is short circuitry in the module¹. It is not reversible.

Note: The AS3636 uses a WL-CSP (wafer level chip scale package) to optimize the PCB area required and minimize the module size. Therefore the actual DIE is visible (and it is not molded in plastic as for other packages like QFN or DFN) and the AS3636 is sensitive to external light. It has to be protected from direct light from the Xenon tube.

Internal Circuit

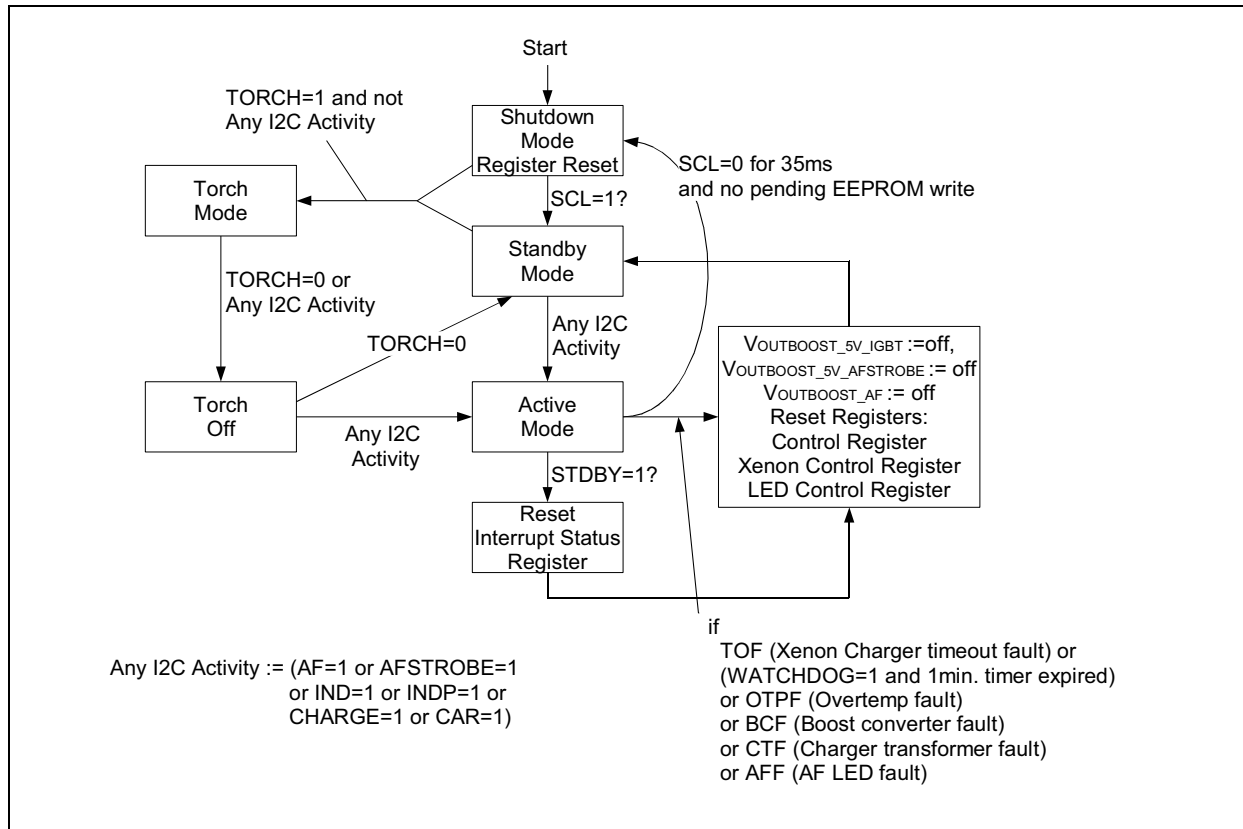
Figure 4. AS3636 Internal Circuit



1. The purpose is to fulfill the IEC60065 safety requirements (see section 14.5.4).

Operating modes

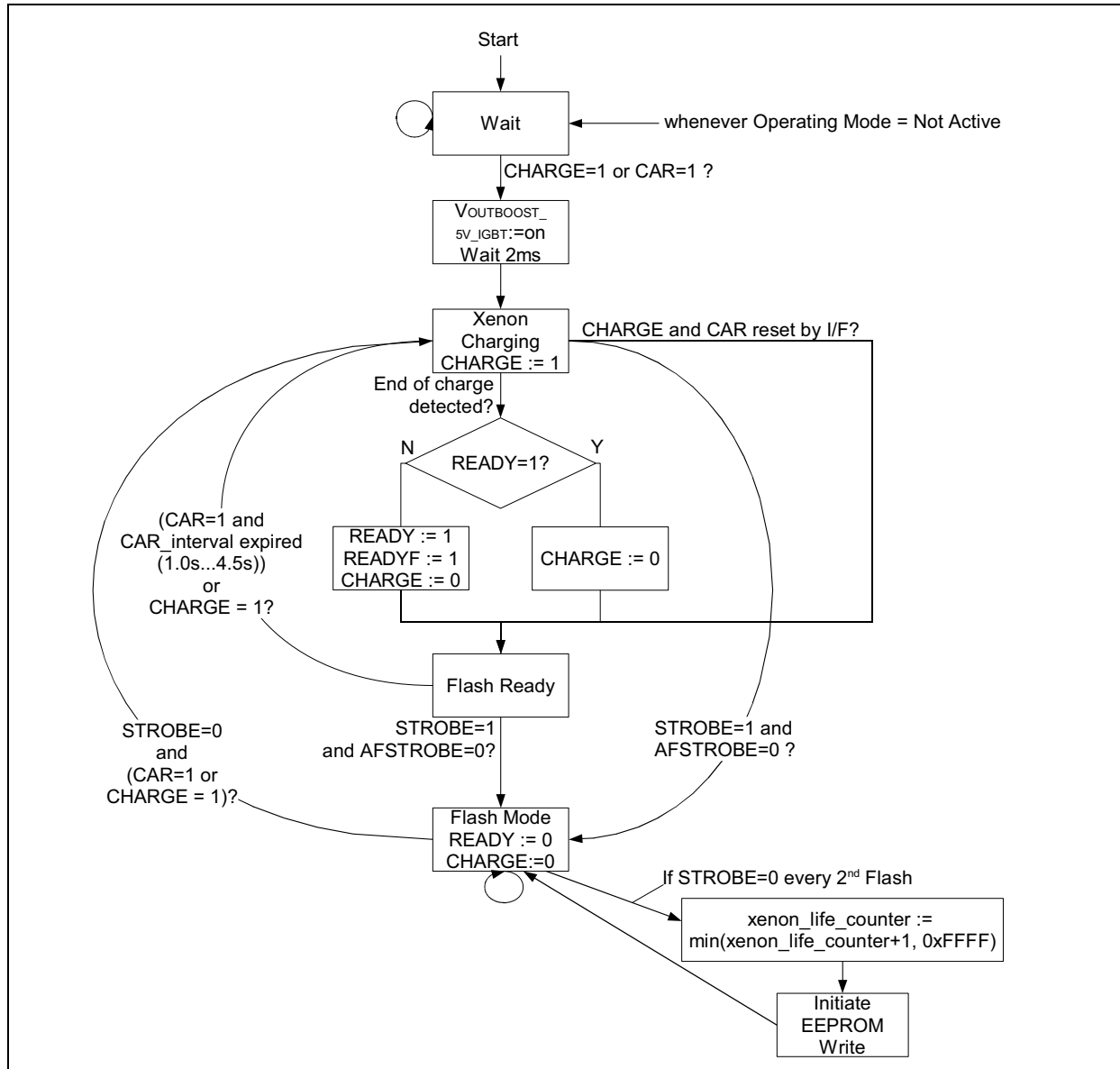
Figure 5. AS3636 operating mode



The internal operating modes are chosen according to the flowchart in [Figure 5](#). The xenon charging procedure is described in [Figure 6](#).

The AS3636 wakes up from shutdown mode by sensing its bus. If SCL raises, the AS3636 enters standby modes and the I²C interface is operating. If any activity is sensed (any of the register bits [AF](#), [AFSTROBE](#), [IND](#), [INDP](#), [CAR](#) or [CHARGE](#) is set), the AS3636 enters active mode.

Figure 6. Xenon Charging Flowchart



Upon setting of **CHARGE** (see page 26) or **CAR**, **VOUTBOOST** is boosted to $5V^2$, the Xenon capacitor charging is started. Once finished, charging is stopped (**CHARGE** is reset), **READY** and **READYF** s set and the interrupt line **INT** is pulled low (if not disabled by **READYFI**). Upon **STROBE**³ a flash is started.

Upon release of **STROBE** and if the register bit **CAR**⁴=1 an automatic recharge cycle is started.

Every second flash cycle, the internal life time counter (**xenon_life_counter_MSB** and **xenon_life_counter_LSB**) inside the EEPROM (see **EEPROM Writing Cycle** on page 13) is updated to count the number of flash for the attached Xenon tube.

If no flash is triggered for **CAR_interval** time (can be set between 1.0s to 4.5s) and **CAR** = 1, the capacitor is automatically recharged.

2. Using the internal signal **VOUTBOOST_5V_IGBT** - see **DCDC Boost Converter VOUTBOOST** on page 12
3. Using the register bit **STROBE** or the input signal **STROBE**
4. Capacitor Automatic Recharge

Standby mode is entered upon following conditions and [Xenon Control Register](#), [LED Control Register](#), [Control Register](#) and [Interrupt Status Register](#)⁵ are reset to their default:

1. [STDBY](#) is set to 1
2. Any fault condition ([TOF](#), [CTF](#), [BCF](#), [OTPF](#), [AFF](#) or [ILF](#))
3. No flash is triggered within one minute and [WATCHDOG](#)=1

By writing '1' into register [RESET](#), all registers can be reset to their default.

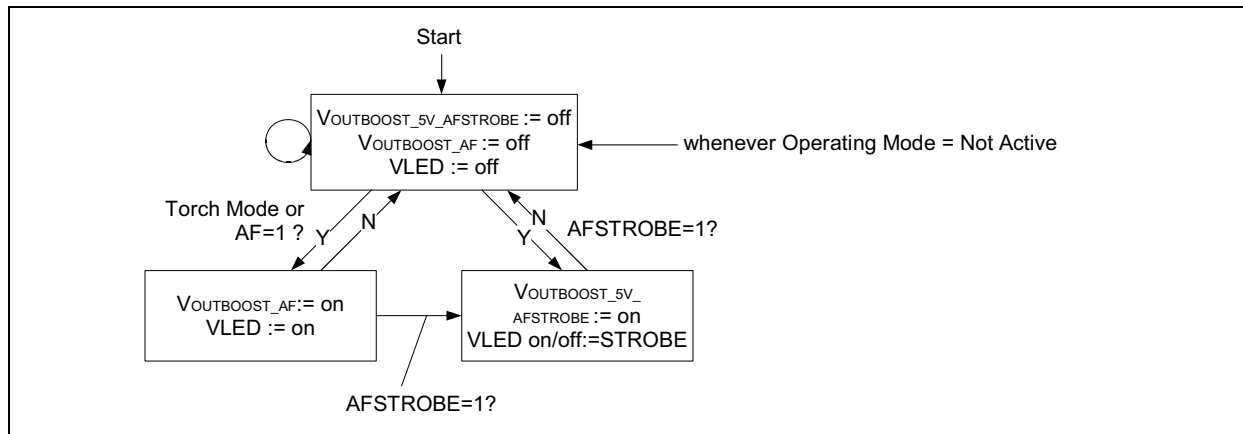
In active mode, if [SCL](#) = 0 for 35ms and an EEPROM write is not pending, all registers are reset to their default values and shutdown mode is entered reducing current consumption to a minimum.

Autofocus (AF) LED on pin VLED operating modes

The AF LED can be enabled with the TORCH input or the [AF](#) register bit or gated by the STROBE input if [AFSTROBE](#) is set. If [AFSTROBE](#) is used, the DCDC converter is always run at $5V^6$ to allow for immediate reaction to the STROBE input signal (within μs). The [AFSTROBE](#) register bit has priority over AF signal or TORCH input.

If [AF](#) or [AFSTROBE](#) is used and [WATCHDOG](#)=1, the AF LED and DCDC boost converter is automatically disabled after one minute. Any read or write access to any AS3636 register resets this watchdog timer.

Figure 7. Autofocus LED operating modes

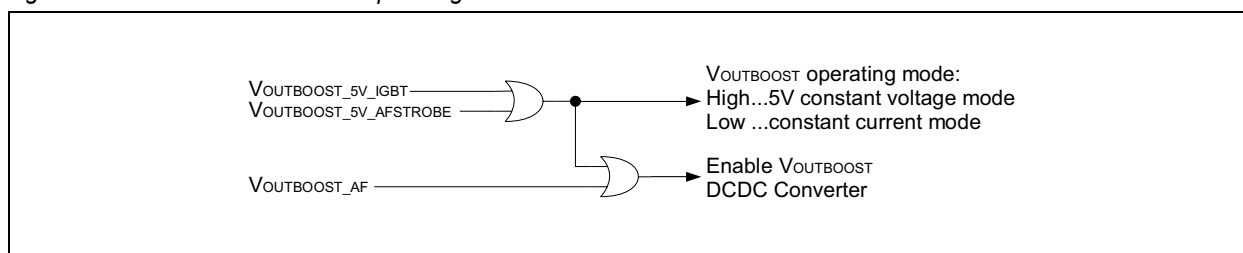


If the AF LED on pin VLED is switched on (as shown in [Figure 7](#), by setting the pin TORCH=H or with the register bit [AF](#) and [AFSTROBE](#)) the current through the LED is defined by [Max_LED_current](#) (for TORCH=H) and [AF_LED_current](#) (for AF and [AFSTROBE](#)); if [PWM](#)=1, then the [AF_LED_current](#) current is PWM modulated with a duty cycle defined by [AF_LED_PWM](#).

DCDC Boost Converter VOUTBOOST

VOUTBOOST is used for the IGBT driver and for the autofocus (AF) LED. Therefore it supports 5V constant voltage output and a constant current mode (where the 5V voltage output has priority) as shown in [Figure 8](#):

Figure 8. DCDC Boost converter operating modes



5. [Interrupt Status Register](#) is only reset if [STDBY](#) is set by the interface

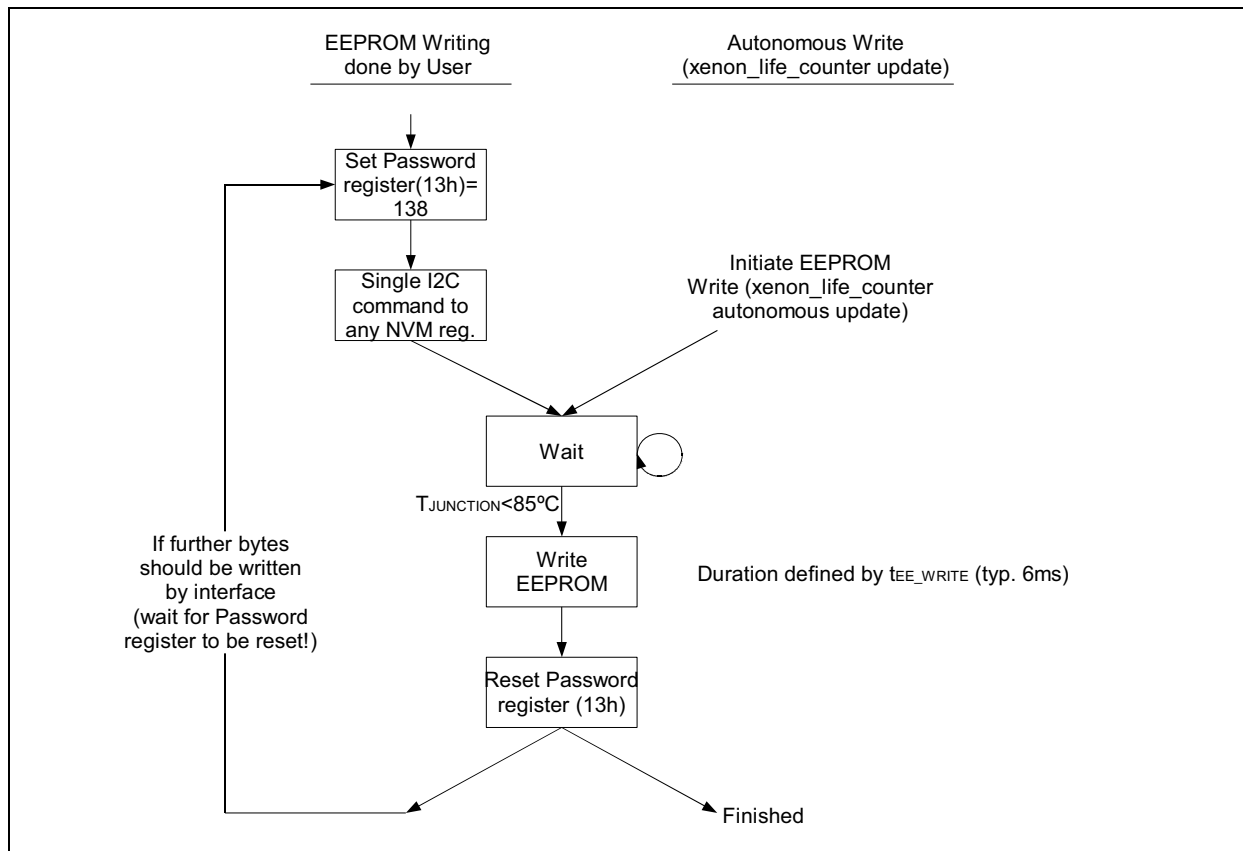
6. Using the internal signal [VOUTBOOST_5V_AFSTROBE](#) - see [DCDC Boost Converter VOUTBOOST](#)

EEPROM Writing Cycle

The internal EEPROM is updated under the following two conditions:

1. Life Time Counter: The automatic procedure for update of the internal life time counter is shown in Figure 9; the update of the `xenon_life_counter_MSB` (see page 28) and `xenon_life_counter_LSB` is done every 2nd flash cycle (see Figure 5 on page 10) increasing the value by one⁷. The counter does not run over 0xFFFFh.
2. NVM Register update: Any update to a NVM register⁸ (See Register Map on page 35) through the interface has to be started by writing 138d to the `Password_register`. Then the NVM can be written. Do not read or write NVM register during the life time counter is updated. If further bytes should be written, the user shall wait until the `Password_register` is reset by the AS3636 as shown in Figure 9⁹.

Figure 9. EEPROM Writing Cycle



If the junction temperature exceeds 85°C, the EEPROM writing is postponed until the internal temperature drops (An I²C read to this register will return the old value during this time). Then the writing cycle is automatically executed.

See austriamicrosystems application note 'AN3636_In-Production_Trimming_xvx.pdf' for a detailed description of the trimming parameters and procedure.

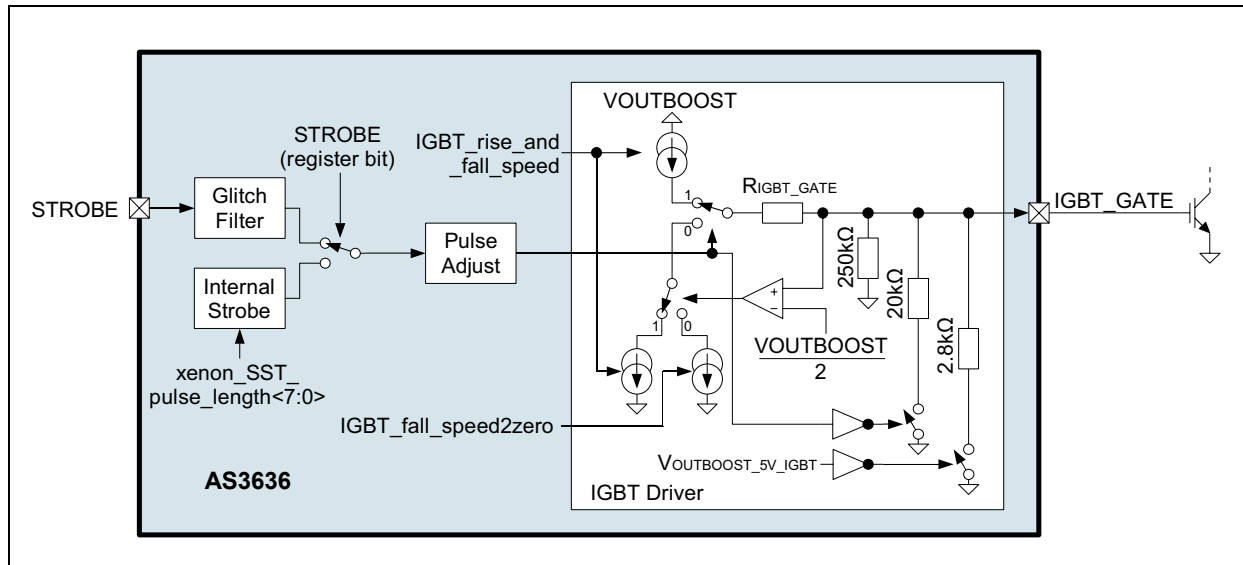
7. Allow minimum 48ms between updates of the xenon life time counter. Updates happen every 2nd flash pulse.
8. The xenon life time counter (`xenon_life_counter_MSB` and `xenon_life_counter_LSB`) cannot be changed.
9. Do not initiate an EEPROM writing cycle during flash as this might collide with the xenon life time counter update.

IGBT Driver

The IGBT Driver shown in [Figure 10](#) has an internal glitch filter to filter out short spikes with a length of up to $t_{\text{STROBE_MIN}}$. After this filter, the strobe pulse can be adjusted in timing (see [IGBT Pulse Timing adjustment on page 14](#)). The actual IGBT driver consists of three current source. One is connected to VOUTBOOST to driver the IGBT_GATE high. The two other current sources drive the IGBT_GATE low, where the falling edge is divided into two sections:

1. [IGBT_rise_and_fall_speed](#) control the edge from VOUTBOOST to VOUTBOOST/2
2. [IGBT_fall_speed2zero](#) control the remaining part from VOUTBOOST/2 to GND.

Figure 10. IGBT Driver internal circuit



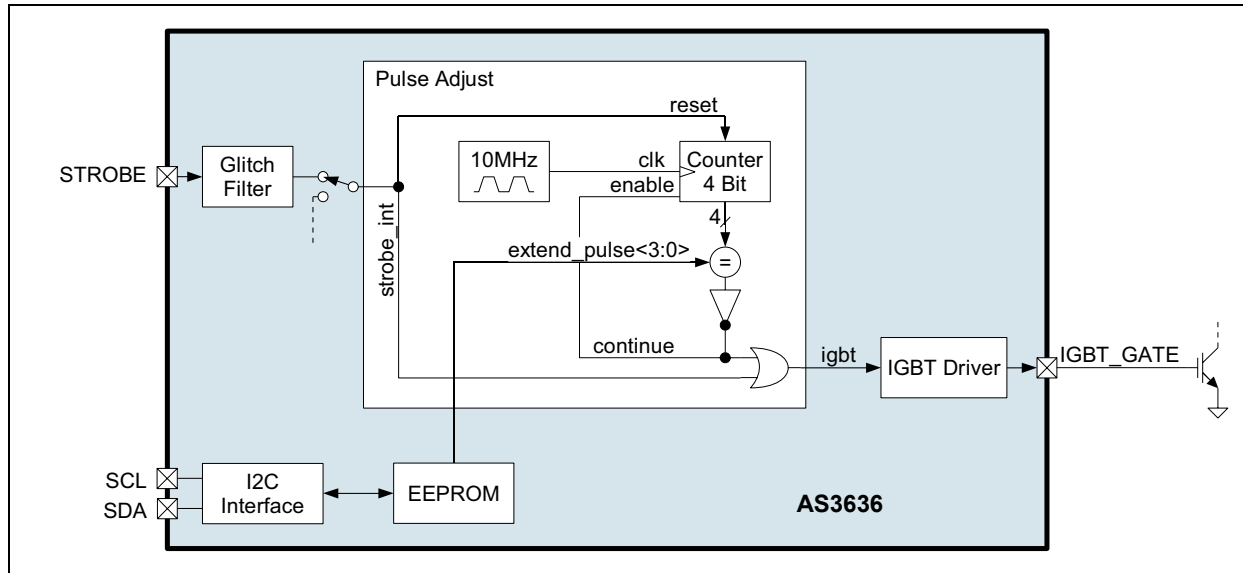
If the STROBE pulse is longer than 2ms, a timeout timer fault is raised and the strobe pulse is stopped - see [Xenon charger and strobe timeout fault \(TOF\) on page 19](#).

IGBT Pulse Timing adjustment

The IGBT pulse timing can be extended by a programmable duration to allow the fine adjustment of the light output from the Xenon tube during flash especially for light pulses with very short time typically used for pre-flash pulses (typically about 5μs). This adjustment can be performed on a module by module basis thus accurately trimming the light output energy over production for pre-flash pulses.

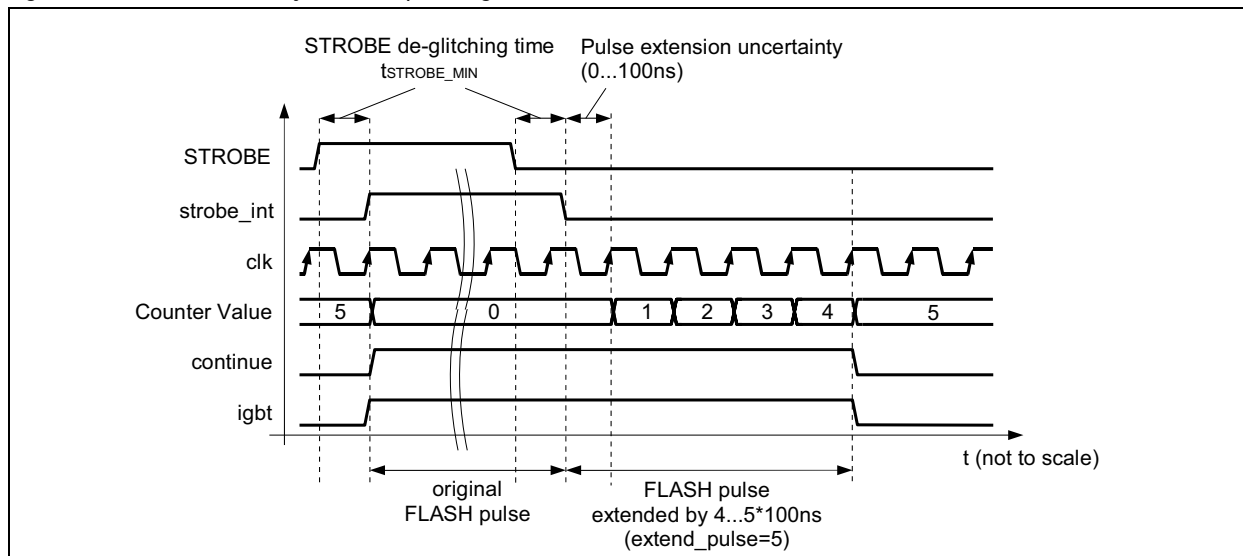
The internal circuit for this pulse adjustment is shown in [Figure 11](#):

Figure 11. Strobe Pulse adjustment internal circuit



The circuit operates as shown in Figure 12:

Figure 12. Strobe Pulse adjustment operating waveforms



Note: As the internal oscillator is used for pulse adjustment, which is asynchronous to the external signal from STROBE, there is an uncertainty of one clock period in the actual timing extension.

If `extend_pulse` (see page 29)=0, the pulse adjust circuit is disabled.

Photosensor Detection circuit

The AS3636 supports an external photosensor to detect the reflected light from the Xenon flash. If the reflected light reaches a configurable threshold, the flash pulse is stopped (IGBT_GATE=0). Figure 13 shows the application circuit.

Figure 13. Photosensor detection circuit

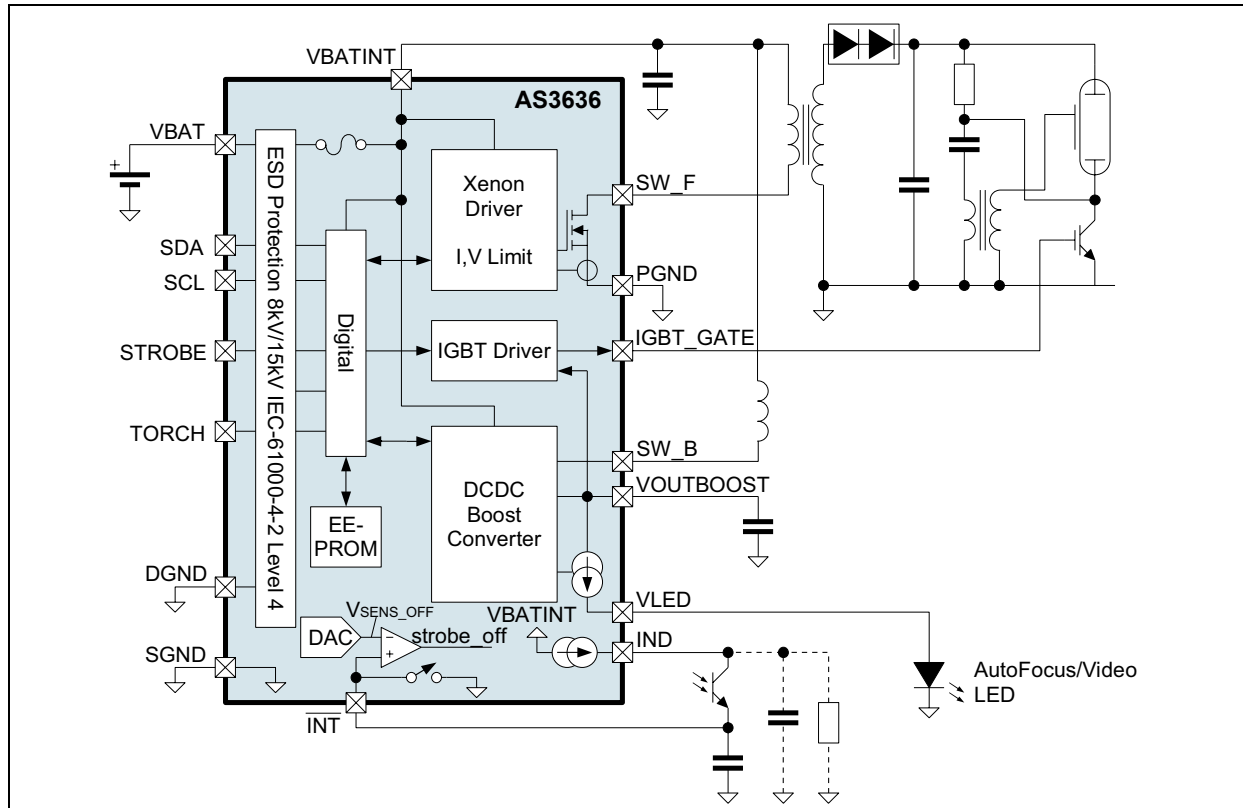
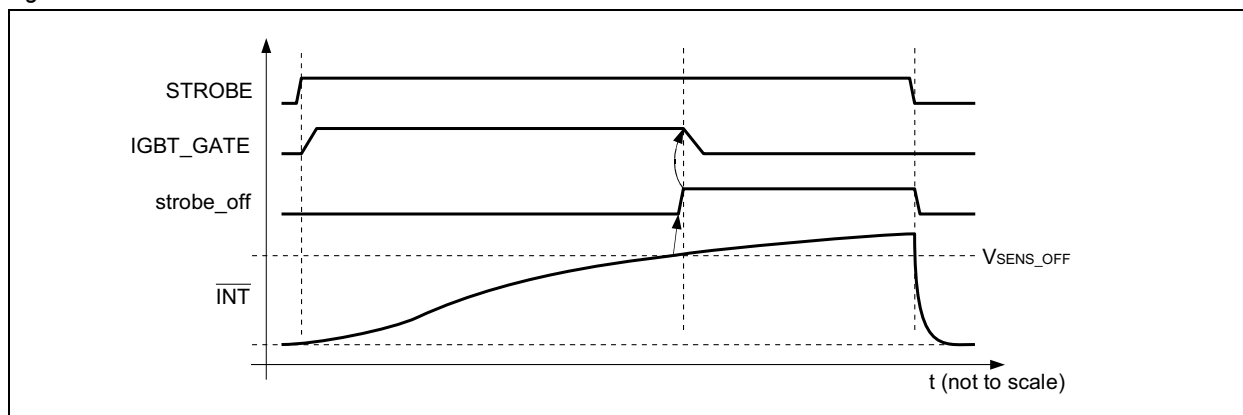


Figure 14 shows a typical waveform:

Figure 14. Photosensor detection waveform



The photosensor detection circuit is enabled by setting `phsens_on=1` (this also disables the indicator LED fault detection ILF). Set `Interrupt Mask Register=0` to disable the interrupt logic¹⁰. The indicator LED current source is used to power the photosensor and can be enabled by setting `IND=1` and `IND_LED_current=11b`. The detection threshold `VSENS_OFF` is adjustable by register `vsens_off_voltage` from 1.1V to 1.7V.

¹⁰The pin $\overline{\text{INT}}$ is re-used for the photo-sensor input.

Self Testing

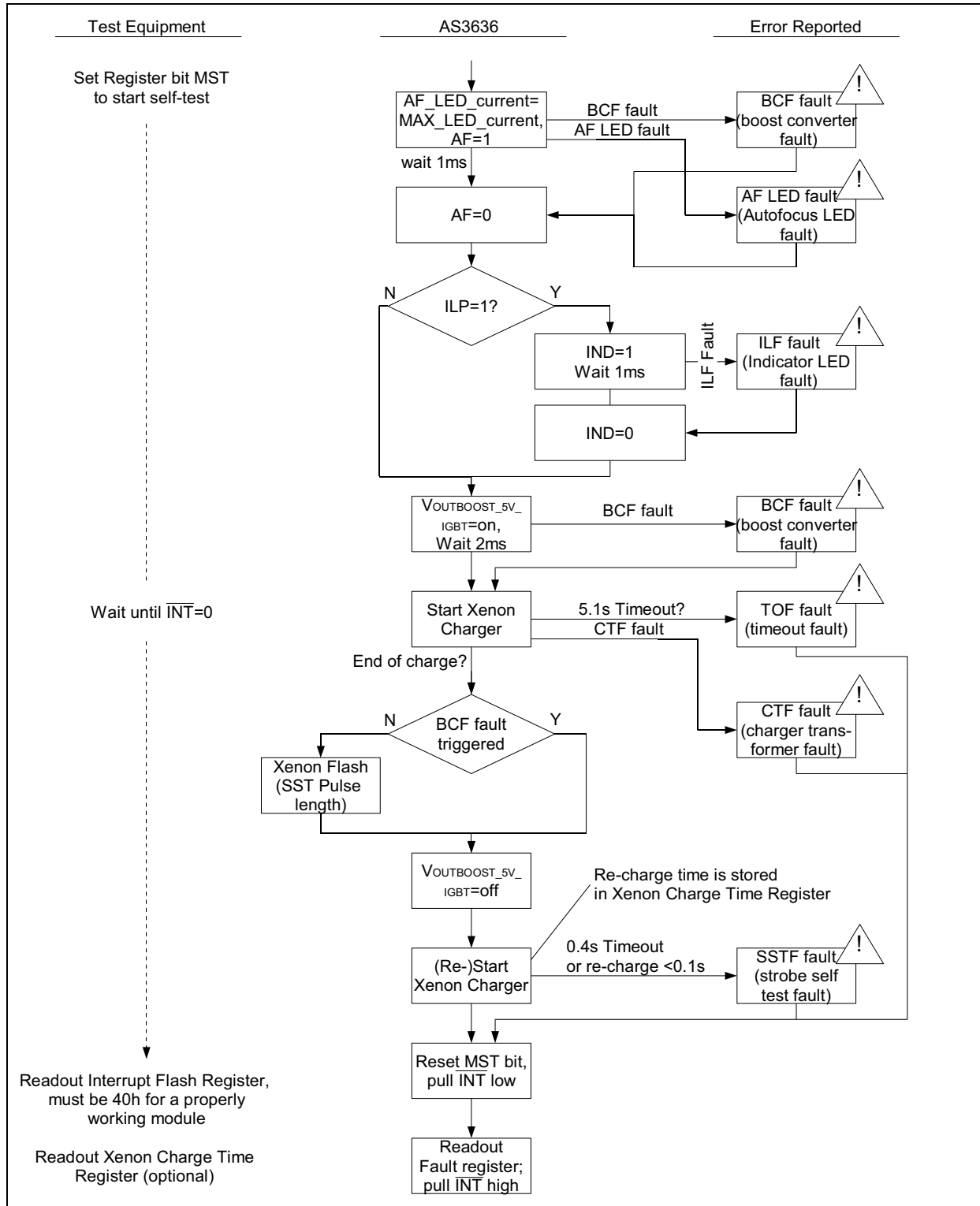
The AS3636 supports internal self testing to allow the verification of the device together with all its external components in a completed system.

Self testing is initiated in active mode¹¹ by setting the register bit **MST** (see page 24) and it executes the flow described in Figure 15¹². After the $\overline{\text{INT}}$ signal is low, the test equipment can readout the fault register - for a properly working module, it will read 40h (only register bit **READYF** set).

11. For entering active mode see Figure 5, "AS3636 operating mode," on page 10 (e.g. after charging)

12. A running self test can only be stopped by writing **MST**=0 and afterwards **STDBY**=0; the last step in the procedure is still executed.

Figure 15. Self Testing procedure



Protection and Fault Detection Functions

The protection functions protect the AS3636 and the external devices against physical damage. In case of a failure a register bit is set. The fault bits are cleared¹³ by a readout of the [Interrupt Status Register \(see page 35\)](#). If enabled by the [Interrupt Mask Register \(see page 35\)](#), any fault condition will raise an interrupt by pulling INT low. The interrupt output INT return to open drain, once the fault condition is cleared.

Indicator LED fault (ILF)

If the indicator LED is enabled, an indicator LED fault is triggered under the following conditions:

1. In case of no or a broken LED and the current through pin IND is below IND_OUTOPEN.
2. If the LED is shorted and the voltage on IND does not reach VINDSHORT.

If one of these conditions is detected the bit **ILF** is set but the current source is not disabled¹⁴.

Charge transformer fault (CTF)

If the Xenon charger is started and the AS3636 detects a too low inductance¹⁵ of the transformer, the Xenon is stopped and the bit **CTF** is set.

Boost converter fault (BCF)

To limit the maximum current from the battery, the DCDC converter limits its current through the coil to ILIMIT. If within a single cycle ILIMIT is reached and afterwards (still in the same cycle) the current through the coil reaches zero, a shorted coil is assumed. If this condition is detected, the DCDC is stopped, the current source is disabled (if enabled) and the bit **BCF** is set.

Xenon charger and strobe timeout fault (TOF)

During every charging of the Xenon capacitor, the register [charge_time](#) monitor the charge time. If the register reaches FFh, the Xenon charger is stopped and the bit **TOF** is set.

The register **TOF** is also set, if the strobe length (from pin STROBE) exceeds 2ms ¹⁶. In this case, the IGBT_GATE is switched off automatically.

Overtemperature fault (OTPF)

If the AS3636 junction temperature exceeds TOVTEMP the register bit **OTPF** is set. The bit **OTPF** is automatically reset, once the junction temperature drops below TOVTEMP-TOVTEMPHYST.

Autofocus LED fault (AFF)

If the autofocus LED (pin VLED) is enabled, an autofocus LED fault is triggered under the following conditions:

1. If the LED is shorted and the voltage on VLED does not reach VVLEDSHORT.
2. If the voltage on VLED stays below VVLEDOPEN.

If one of these conditions is detected, the DCDC converter is stopped, the current source is disabled and the bit **AFF** is set.

Xenon strobe self test fault (SSTF)

The xenon strobe is only used upon self testing - for details see section [Self Testing on page 17](#). The fault bit is set if the re-charge time for the Xenon charger is above 0.4s or below 0.1s.

Supply undervoltage Protection

If the voltage on the pin VBATINT (=battery voltage) is or falls below VUVLO, the AS3636 is kept in shutdown state and all registers are set to their default state.

13.Except overtemperature protection fault **OTPF**.

14.To avoid erroneously disabling of the indicator current source due to short voltage drops on the supply.

15.An inductance below $0.5\mu\text{H}$ will be detected as a fault. Above $3.5\mu\text{H}$, a valid transformer is detected.

16.The exact duration can vary between $930\mu\text{s}$ to 2.15ms .

I²C Serial Data Bus

The AS3636 supports the I²C bus protocol. A device that sends data onto the bus is defined as a transmitter and a device receiving data as a receiver. The device that controls the message is called a master. The devices that are controlled by the master are referred to as slaves. A master device that generates the serial clock (SCL), controls the bus access, and generates the START and STOP conditions must control the bus. The AS3636 operates as a slave on the I²C bus. Within the bus specifications a standard mode (100kHz maximum clock rate) and a fast mode (400kHz maximum clock rate) are defined. The AS3636 works in both modes. Connections to the bus are made through the open-drain I/O lines SDA and SCL.

The following bus protocol has been defined (Figure 16):

- Data transfer may be initiated only when the bus is not busy.
- During data transfer, the data line must remain stable whenever the clock line is HIGH. Changes in the data line while the clock line is HIGH are interpreted as control signals.

Accordingly, the following bus conditions have been defined:

Bus Not Busy

Both data and clock lines remain HIGH.

Start Data Transfer

A change in the state of the data line, from HIGH to LOW, while the clock is HIGH, defines a START condition.

Stop Data Transfer

A change in the state of the data line, from LOW to HIGH, while the clock line is HIGH, defines the STOP condition.

Data Valid

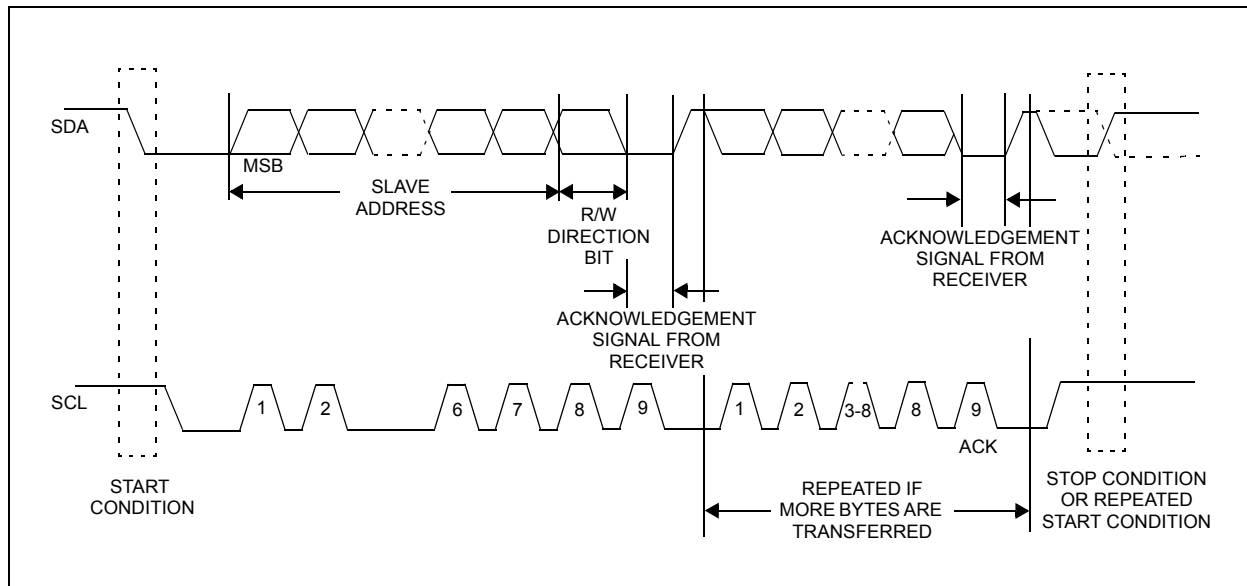
The state of the data line represents valid data when, after a START condition, the data line is stable for the duration of the HIGH period of the clock signal. The data on the line must be changed during the LOW period of the clock signal. There is one clock pulse per bit of data.

Each data transfer is initiated with a START condition and terminated with a STOP condition. The number of data bytes transferred between START and STOP conditions are not limited, and are determined by the master device. The information is transferred byte-wise and each receiver acknowledges with a ninth bit.

Acknowledge

Each receiving device, when addressed, is obliged to generate an acknowledge after the reception of each byte. The master device must generate an extra clock pulse that is associated with this acknowledge bit.

A device that acknowledges must pull down the SDA line during the acknowledge clock pulse in such a way that the SDA line is stable LOW during the HIGH period of the acknowledge-related clock pulse. Of course, setup and hold times must be taken into account. A master must signal an end of data to the slave by not generating an acknowledge bit on the last byte that has been clocked out of the slave. In this case, the slave must leave the data line HIGH to enable the master to generate the STOP condition.

Figure 16. Data Transfer on I²C Serial Bus

Depending upon the state of the R/W bit, two types of data transfer are possible:

1. **Data transfer from a master transmitter to a slave receiver.** The first byte transmitted by the master is the slave address. Next follows a number of data bytes. The slave returns an acknowledge bit after each received byte. Data is transferred with the most significant bit (MSB) first.
2. **Data transfer from a slave transmitter to a master receiver.** The master transmits the first byte (the slave address). The slave then returns an acknowledge bit, followed by the slave transmitting a number of data bytes. The master returns an acknowledge bit after all received bytes other than the last byte. At the end of the last received byte, a “not acknowledge” is returned. The master device generates all of the serial clock pulses and the START and STOP conditions. A transfer is ended with a STOP condition or with a repeated START condition. Since a repeated START condition is also the beginning of the next serial transfer, the bus is not released. Data is transferred with the most significant bit (MSB) first.

The AS3636 can operate in the following two modes:

1. **Slave Receiver Mode (Write Mode):** Serial data and clock are received through SDA and SCL. After each byte is received an acknowledge bit is transmitted. START and STOP conditions are recognized as the beginning and end of a serial transfer. Address recognition is performed by hardware after reception of the slave address and direction bit (see Figure 17). The slave address byte is the first byte received after the master generates the START condition. The slave address byte contains the 7-bit AS3636 address, which is 0101000, followed by the direction bit (R/W), which, for a write, is 0.¹⁷ After receiving and decoding the slave address byte the device outputs an acknowledge on the SDA line. After the AS3636 acknowledges the slave address + write bit, the master transmits a register address to the AS3636. This sets the register pointer on the AS3636. The master may then transmit zero or more bytes of data, with the AS3636 acknowledging each byte received. The address pointer will increment after each data byte is transferred. The master generates a STOP condition to terminate the data write.
2. **Slave Transmitter Mode (Read Mode):** The first byte is received and handled as in the slave receiver mode. However, in this mode, the direction bit indicates that the transfer direction is reversed. Serial data is transmitted on SDA by the AS3636 while the serial clock is input on SCL. START and STOP conditions are recognized as the beginning and end of a serial transfer (Figure 18 and Figure 19). The slave address byte is the first byte received after the master generates a START condition. The slave address byte contains the 7-bit AS3636 address, which is 0101000, followed by the direction bit (R/W), which, for a read, is 1.¹⁸ After receiving and decoding the slave address byte the device outputs an acknowledge on the SDA line. The AS3636 then begins to transmit data starting with the register address pointed to by the register pointer. If the register

17.The address for writing to the AS3636 is 50h = 01010000b

18.The address for read mode from the AS3636 is 51h = 01010001b

pointer is not written to before the initiation of a read mode the first address that is read is the last one stored in the register pointer. The AS3636 must receive a “not acknowledge” to end a read.

Figure 17. Data Write - Slave Receiver Mode

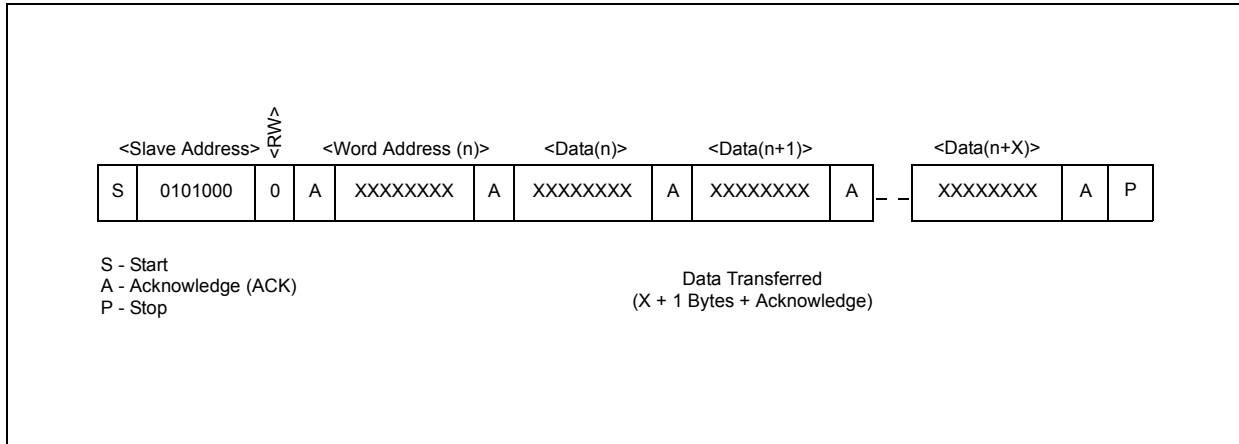


Figure 18. Data Read (from Current Pointer Location) - Slave Transmitter Mode

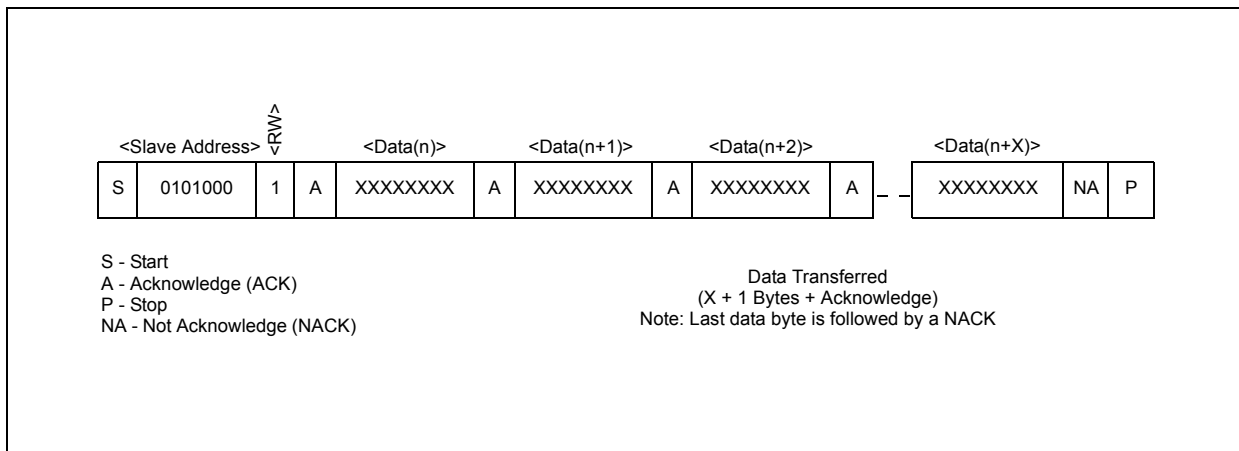
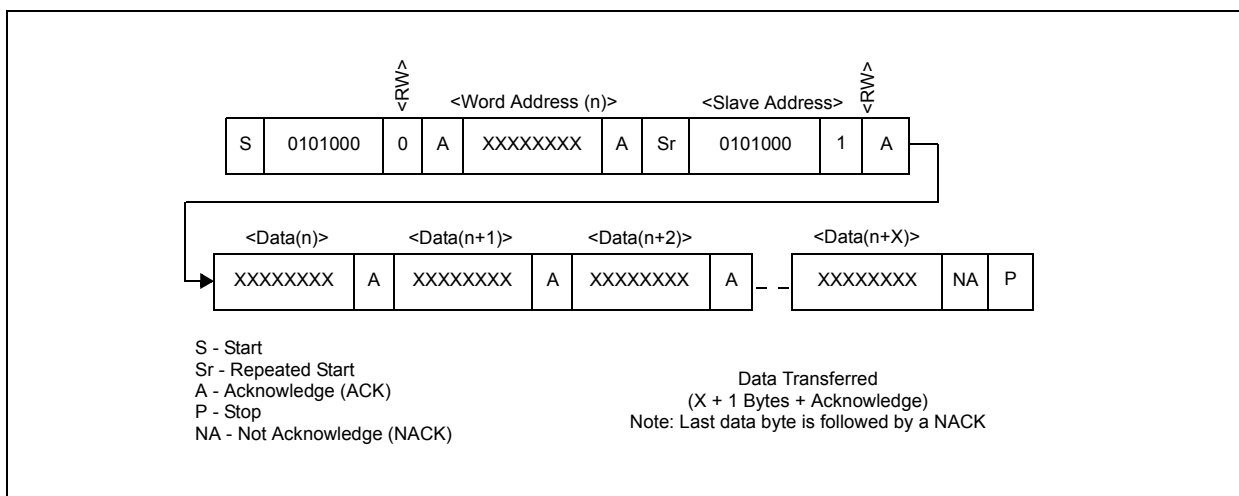


Figure 19. Data Read (Write Pointer, Then Read) - Slave Receive and Transmit



Register Description

Table 4. IC Info Register

Addr: 00h		IC Info Register		
This register has a fixed content and can be used to verify the I ² C communication				
Bit	Bit Name	Default	Access	Description
3:0	IC_model	0010b	R	Fixed ID
7:4	IC_manufacturer_ID	0001b	R	Fixed Manufacturer ID

Table 5. IC Version Control Register

Addr: 01h		IC Version Control Register		
Design Round Identification				
Bit	Bit Name	Default	Access	Description
3:0	Design_round	NA	R	Internal number; don't use in software
7:4		0h	R	always 0, don't use

Table 6. Module Info Reg.A

Addr: 02h		Module Info Reg.A			
Module identification - written by module manufacturer					
Bit	Bit Name	Default	Access	Description	
1:0	Module_Type	NVM	R	Module Sample Type	
				00	Technology Sample
				01	Engineering Sample
				10	Commercial Sample
				11	Mass Production
4:2	Module_Generation	NVM	R	Module Generation	
7:5	Module_Manufacturer_ID	NVM	R	Module Manufacturer	

Table 7. Module Info Register B

Addr: 03h		Module Info Register B		
Module identification - written by module manufacturer				
Bit	Bit Name	Default	Access	Description
3:0	Module_Major_Version	NVM	R	Module Manufacturer Version
7:4	Module_Project_Number	NVM	R	Module Manufacturer Project Code

Table 8. Control Register

Addr: 04h		Control Register		
		Operating mode of AS3636		
Bit	Bit Name	Default	Access	Description
0	WATCHDOG	1	R/W	Watchdog timer enable
				0
1	AFSTROBE	0	R/W	After one minute after charging is finished the AS3636 automatically enters standby mode; any read or write access to any AS3636 register resets this one minute watchdog timer
				1
2	MST	0	R/W	STROBE input is used for Xenon flash
				1
3	TORCH_S	0	R	Module Self Testing
				0
5:4		00b	R	Writing '1' to this register starts the module self test procedure; when the test is finished MST is automatically cleared - see Self Testing on page 17
				1
6	RESET	0	R	low
				1
7	STDBY	0	R/W	always 0, don't use
				0
7	STDBY	0	R/W	always reads back '0'
				0
7	STDBY	0	R/W	all registers are reset to their default
				1
7	STDBY	0	R/W	normal operation (all modes are possible)
				1

Table 9. Interrupt Mask Register

Addr: 05h		Interrupt Mask Register		
		Mask Interrupts (interrupt output $\overline{\text{INT}}$, open drain, active low)		
Bit	Bit Name	Default	Access	Description
0	ILFI	1	R/W	Indicator LED fault interrupt
				0
1	CTFI	1	R/W	Enabled
				0
1	CTFI	1	R/W	Disabled
				1

Table 9. Interrupt Mask Register (Continued)

Addr: 05h		Interrupt Mask Register			
		Mask Interrupts (interrupt output $\overline{\text{INT}}$, open drain, active low)			
Bit	Bit Name	Default	Access	Description	
2	BCFI	1	R/W	DCDC Boost converter (VOUTBOOST) fault interrupt	
				0	Disabled
				1	Enabled
3	TOFI	1	R/W	Xenon Charger Timeout fault interrupt	
				0	Disabled
				1	Enabled
4	OTPMI	1	R/W	Over Temperature protection fault interrupt	
				0	Disabled
				1	Enabled
5	AFFI	1	R/W	Autofocus LED (VLED) fault interrupt	
				0	Disabled
				1	Enabled
6	READYFI	1	R/W	Xenon charger ready interrupt	
				0	Disabled
				1	Enabled
7	SSTFI	1	R/W	Xenon Strobe Self test fault interrupt	
				0	Disabled
				1	Enabled

Table 10. Interrupt Status Register

Addr: 06h		Interrupt Status Register			
		Interrupts status (interrupt output $\overline{\text{INT}}$, open drain, active low); reading this register automatically clears the interrupt; see Protection and Fault Detection Functions on page 19			
Bit	Bit Name	Default	Access	Description	
0	ILF	0	R/SC ¹	Indicator LED fault interrupt	
				0	no interrupt
				1	interrupt occurred
1	CTF	0	R/SC ¹	Xenon Charger Transformer fault interrupt	
				0	no interrupt
				1	interrupt occurred
2	BCF	0	R/SC ¹	DCDC Boost converter (VOUTBOOST) fault interrupt	
				0	no interrupt
				1	interrupt occurred
3	TOF	0	R/SC ¹	Xenon Charger or Strobe Timeout fault interrupt	
				0	no interrupt
				1	interrupt occurred

Table 10. *Interrupt Status Register (Continued)*

Addr: 06h		Interrupt Status Register			
		Interrupts status (interrupt output $\overline{\text{INT}}$, open drain, active low); reading this register automatically clears the interrupt; see Protection and Fault Detection Functions on page 19			
Bit	Bit Name	Default	Access	Description	
4	OTPF	0	R/SC ¹	Over Temperature protection fault interrupt	
				0	no interrupt
				1	interrupt occurred
5	AFF	0	R/SC ¹	Autofocus LED (VLED) fault interrupt	
				0	no interrupt
				1	interrupt occurred
6	READYF	0	R/SC ¹	Xenon charger ready interrupt flag	
				0	no interrupt
				1	interrupt occurred
7	SSTF	0	R/SC ¹	Xenon Strobe Self test fault interrupt	
				0	no interrupt
				1	interrupt occurred

1. R/SC = Read, self clear: Upon readout, the register bit is automatically cleared.

Table 11. *Xenon Control Register*

Addr: 07h		Xenon Control Register			
		Control Xenon Charger and Re-charging			
Bit	Bit Name	Default	Access	Description	
0	CHARGE	0	R/W	Xenon charging	
				0	Read: no charging; Write: writing '0' to CHARGE stops charging
				1	Read: Xenon charger running; Write: writing '1' to CHARGE starts charging
1	READY	0	R	Xenon Charger Finished charging	
				0	not ready for flash
				1	ready for flash; a flash strobe automatically resets READY
2	STROBE	0	R	Strobe test pulse enable	
				0	Input pin STROBE ¹ =0
			1	Input pin STROBE ¹ =1	
			W	0	IGBT strobe flash is controlled by STROBE pin
				1	A Xenon flash test pulse of length Xenon SST Pulse Length Register is generated

Table 11. Xenon Control Register (Continued)

Addr: 07h		Xenon Control Register			
		Control Xenon Charger and Re-charging			
Bit	Bit Name	Default	Access	Description	
3	CAR	0	R/W	Xenon Charger automatic recharge	
				0	no automatic recharge
				1	automatic recharge enabled - see Figure 5 on page 10
7:4		0000b	R	always 0, don't use	

1. Reading register bit [STROBE](#) only returns valid results, if [VOUTBOOST_5V_IGBT](#) or [VOUTBOOST_5V_AFSTROBE](#) is set. [VOUTBOOST_5V_IGBT](#) is set during or after Xenon charging (see [Figure 6 on page 11](#)), [VOUTBOOST_5V_AFSTROBE](#) is set if [AFSTROBE](#) is set (see [Figure 7 on page 12](#)).

Table 12. Xenon CAR Interval Register

Addr: 08h		Xenon CAR Interval Register			
		Xenon automatic Re-charging Timer			
Bit	Bit Name	Default	Access	Description	
2:0	CAR_interval ¹	001b	R/W	Xenon Re-charging Timer - - see Figure 5 on page 10	
				000	1.0s
				001	default 1.5s
				010	2.0s
				011	2.5s
				100	3.0s
				101	3.5s
				110	4.0s
				111	4.5s
7:3		00h	R	always 0, don't use	

1. The first recharge interval can be shorter than selected due to an synchronization to an internal timer. The recharge time is always measured from start of recharge to the next start of recharge.

Table 13. Xenon Charge Time Register

Addr: 09h		Xenon Charge Time Register			
		Measure last xenon charging time			
Bit	Bit Name	Default	Access	Description	
7:0	charge_time	00h	R	Xenon charging time; register content is valid if READY=1	
				00h	0-20ms
				01h	20-40ms
				02h	40ms-60ms
				03h	60ms-80ms
			
				FEh	5080-5100ms
				FFh	>5100ms Xenon charger time out fault was triggered - see TOF

Table 14. Xenon SST Pulse Length Register

Addr: 0Ah		Xenon SST Pulse Length Register			
		Xenon strobe test pulse length			
Bit	Bit Name	Default	Access	Description	
7:0	xernon_SST_pulse_lengt h ¹	NVM	R	define Xenon strobe pulse length for register bit STROBE=1 and for Xenon module self testing - see Self Testing on page 17	
				00h	don't use
				01h	1µs
				02h	2µs
				...	
				FFh	255µs

1. The resulting timing can vary by +1µs/-0µs (excluding the variation of the internal oscillator), therefore use this internal pulse generator only for self testing.

Table 15. Xenon Life Time Register MSB

Addr: 0Bh		Xenon Life Time Register MSB		
		xenon_life_counter_MSB		
Bit	Bit Name	Default	Access	Description
7:0	xenon_life_counter_MSB	NVM	R	Count the number of flash double-pulses performed and store in NVM - see AS3636 operating mode on page 10 counter stops at FFFFh

Table 16. Xenon Life Time Register LSB

Addr: 0Ch		Xenon Life Time Register LSB		
		xenon_life_counter_LSB		
Bit	Bit Name	Default	Access	Description
7:0	xenon_life_counter_LSB	NVM	R	Count the number of flash double-pulses performed and store in NVM - see AS3636 operating mode on page 10 counter stops at FFFFh

Table 17. Xenon Config Register A

Addr: 0Dh		Xenon Config Register A			
		Define the end of charge detection voltage			
Bit	Bit Name	Default	Access	Description	
5:0	charge_voltage_selection	NVM	R	Define the Xenon end of charge detection voltage (measured on pin SW_F)	
				00h	28.5V
				01h	28.6V
				02h	28.7V
				...	
3Fh	34.8V				
7:6		00b	R	always 0, don't use	

Table 18. Xenon Config Register B

Addr: 0Eh		Xenon Config Register B			
		Define the peak current limit for the Xenon charger			
Bit	Bit Name	Default	Access	Description	
2:0	switch_current_selection ¹	NVM	R	Peak current limit measured on pin SW_F	
				000	375mA
				001	450mA
				010	525mA
				011	600mA
				100	675mA
				101	750mA
				110	825mA
6:3	extend_pulse	NVM	R	Extend the timing for the IGBT strobe pulse - see IGBT Pulse Timing adjustment	
				0h	no pulse extension
				1h	100ns
				2h	200ns
				3h	300ns
			
				Eh	1400ns
Fh	1500ns				
7	IGBT_fall2zero_slow	NVM	R/W	Define together with IGBT_fall_speed2zero IGBT driver fall speed for final switch-off (VOUTBOOST/2 to 0V)	
				0	full current - see IGBT_fall_speed2zero
				1	half current - see IGBT_fall_speed2zero

1. Take care to set the peak current limit to fit to the Xenon charger transformer used - if the peak current limit is set too low, efficiency will drop and eventually end of charge will not be reached anymore.

Table 19. Xenon Config Register C

Addr: 0Fh		Xenon Config Register C				
Define IGBT driver parameters and SW_B switch current limits						
Bit	Bit Name	Default	Access	Description		
2:0	IGBT_fall_speed2zero ¹	NVM	R	Define IGBT driver fall speed for final switch-off (VOUTBOOST/2 to 0V)		
				IGBT_fall2zero_slow = 0 1		
				000	1V/μs (10mA)	0.5V/μs (5mA)
				001	2V/μs (20mA)	1V/μs (10mA)
				010	3V/μs (30mA)	1.5V/μs (15mA)
				011	4V/μs (40mA)	2V/μs (20mA)
				100	5V/μs (50mA)	2.5V/μs (25mA)
				101	6V/μs (60mA)	3V/μs (30mA)
				110	7V/μs (70mA)	3.5V/μs (35mA)
				111	8V/μs (80mA)	4V/μs (40mA)
5:3	IGBT_rise_and_fall_speed ²	NVM	R	Define IGBT switch-on speed and switch-off down to VOUTBOOST/2		
				000	1V/μs (10mA)	
				001	2V/μs (20mA)	
				010	3V/μs (30mA)	
				011	4V/μs (40mA)	
				100	5V/μs (50mA)	
				101	6V/μs (60mA)	
				110	7V/μs (70mA)	
111	8V/μs (80mA)					
7:6	coil_peak_current	NVM	R	DCDC Boost Coil Peak current setting (pin SW_B)		
				00	250mA	
				01	300mA	
				10	350mA	
				11	400mA	

1. Assuming a 10nF capacitance. The timings scale by the gate capacitance of the IGBT

2. Assuming a 10nF capacitance. The timings scale by the gate capacitance of the IGBT

Table 20. LED Current Register

Addr: 10h		LED Current Register			
AF LED and indicator LED current and PWM settings					
Bit	Bit Name	Default	Access	Description	
2:0	AF_LED_current ¹	000b	R/W	AF LED Current settings	
				000	10mA
				001	15mA
				010	20mA
				011	28mA
				100	37mA
				101	50mA
				110	65mA
5:3	AF_LED_PWM ²	000b	R/W	AF LED PWM setting	
				000	1/32
				001	2/32
				010	3/32
				011	5/32
				100	8/32
				101	12/32
				110	20/32
7:6	IND_LED_current	00b	R/W	Indicator LED current setting	
				00	2mA
				01	4mA
				10	8mA
				11	16mA

1. AF_LED_current setting is automatically limited to Max_LED_current (see page 32)

2. The internal PWM generator output frequency is 31.25kHz (to avoid audible noise)

Table 21. LED Control Register

Addr: 11h		LED Control Register			
Control AF LED and indicator LED operating mode					
Bit	Bit Name	Default	Access	Description	
0	IND ¹	0	R/W	Indicator LED on/off	
				0	off
				1	if ILP=0: use VLED output with AF_LED_current and AF_LED_PWM duty cycle if ILP=1: use IND output with IND_LED_current

Table 21. LED Control Register (Continued)

Addr: 11h		LED Control Register			
		Control AF LED and indicator LED operating mode			
Bit	Bit Name	Default	Access	Description	
1	INDP ²	0	R/W	100ms Indicator LED pulse	
				0	no pulse
				1	if ILP=0: 100ms pulse on VLED output with AF_LED_current and AF_LED_PWM duty cycle if ILP=1: 100ms pulse on IND output with IND_LED_current
2	PWM	0	R/W	AF LED PWM enable if AF=1(pin VLED)	
				0	no PWM
				1	AF LED PWM with AF_LED_PWM
3	AF ³	0	R/W	AF LED on/off (pin VLED)	
				0	off
				1	enabled AF LED with AF_LED_current ; if PWM=1 use AF_LED_PWM duty cycle
7:4		0000b	R	always 0, don't use	

1. If IND=1 and INDP=1, IND=1 has priority
2. After the 100ms pulse, the register INDP is automatically reset
3. Do not operate AF=1 and (IND or INDP=1) at the same time

Table 22. LED Configuration Register

Addr: 12h		LED Configuration Register			
		Set maxim AF LED current and configure indicator type			
Bit	Bit Name	Default	Access	Description	
2:0	Max_LED_current	NVM	R	AF LED Maximum current limit	
				000	10mA
				001	15mA
				010	20mA
				011	28mA
				100	37mA
				101	50mA
				110	65mA
				111	80mA
6:3		0h	R	always 0, don't use	

Table 22. LED Configuration Register (Continued)

Addr: 12h		LED Configuration Register			
		Set maxim AF LED current and configure indicator type			
Bit	Bit Name	Default	Access	Description	
5:3	switch_current_selection_max	NVM	R	Maximum Peak current limit measured on pin SW_F if automatic peak current regulation is performed	
				000	No peak current regulation done - default
				001	450mA
				010	525mA
				011	600mA
				100	675mA
				101	750mA
				110	825mA
6	switch_current_boost	NVM	R	Double value for switch_current_selection	
				0	$I(SW_F) = \text{switch_current_selection}$
				1	$I(SW_F) = 2 * \text{switch_current_selection}$
7	ILP	NVM	R/W	Indicator LED present; applies when indicator is switched on ($IND=1$)	
				0	use VLED output with AF_LED_current and AF_LED_PWM duty cycle
				1	use IND output with IND_LED_current ; ILF (indicator LED fault) detection is enabled

Table 23. Password Register

Addr: 13h		Password Register			
		EEPROM writing password lock register			
Bit	Bit Name	Default	Access	Description	
7:0	Password_register	00h	R/W	Un-lock register for EEPROM writing - see EEPROM Writing Cycle on page 13	
				138d	Read: EEPROM writing pending Write: Unlock EEPROM writing for next I ² C command
				0...137d, 139d...255d	EEPROM writing locked

Table 24. Photosensor Register

Addr: 18h		Photosensor Register			
		External Photosensor control - see Photosensor Detection circuit on page 16			
Bit	Bit Name	Default	Access	Description	
6:0	vsens_off_voltage	00h	R/W	Adjust photosensor off - voltage	
				0	VSENS_OFF = 1.1V
			
				127d	VSENS_OFF = 1.7V

Table 24. *Photosensor Register (Continued)*

Addr: 18h		Photosensor Register			
		External Photosensor control - see Photosensor Detection circuit on page 16			
Bit	Bit Name	Default	Access	Description	
7	phsens_on	0	R/W	Enable the photosensor detection circuit - see Photosensor Detection circuit on page 16	
				0	disabled
				1	photosensor circuit enabled

Table 25. *Xenon Voltage ADC*

Addr: 18h		Xenon Voltage ADC			
		Measure last charged voltage of the Xenon charger			
Bit	Bit Name	Default	Access	Description	
6:0	xenon_charge_voltage	00h	R	Last measured voltage on Xenon charger (represents scaled voltage on CFLASH) - only valid during charging (CHARGE=1) ¹ or right after end of charge	
				0	V _{sw_F} =lowest reading
			
127d	V _{sw_F} =highest reading				
7	xenon_adc_on	0	R/W	Xenon Charge ADC on - measures voltage on SW_F	
				0	disabled
				1	Internal ADC running if xenon charger running (CHARGE=1)

1. For reading of [xenon_charge_voltage](#), **CHARGE** should be set to '0'. If reading of [xenon_charge_voltage](#) is required during **CHARGE=1**, read [xenon_charge_voltage](#) twice and compare the results. If both readings show the same result, the value is valid, otherwise re-start the readout.

9 Register Map

Table 26. Register Map

Register Definition	Addr	Default	Content							
			b7	b6	b5	b4	b3	b2	b1	b0
IC Info Register	00h	12h	0	0	0	1	0	0	1	0
IC Version Control Register	01h	0Xh	0	0	0	0	Design_round			
Module Info Reg.A	02h	NVM	Module_Manufacturer_ID			Module_Generation		Module_Type		
Module Info Register B	03h	NVM	Module_Project_Number				Module_Major_Version			
Control Register	04h	01h	STDBY	RESET	0	0	TORCH_S	MST	AFSTR_OBE	WATCH DOG
Interrupt Mask Register	05h	FFh	SSTFI	READY_FI	AFFI	OTPMI	TOFI	BCFI	CTFI	ILFI
Interrupt Status Register	06h	00h	SSTF	READY_F	AFF	OTPF	TOF	BCF	CTF	ILF
Xenon Control Register	07h	00h	0	0	0	0	CAR	STROBE	READY	CHARGE
Xenon CAR Interval Register	08h	01h	0	0	0	0	0	CAR_interval		
Xenon Charge Time Register	09h	00h	charge_time							
Xenon SST Pulse Length Register	0Ah	NVM	xeron_SST_pulse_length							
Xenon Life Time Register MSB	0Bh	NVM	xenon_life_counter_MSB							
Xenon Life Time Register LSB	0Ch	NVM	xenon_life_counter_LSB							
Xenon Config Register A	0Dh	NVM	0	0	charge_voltage_selection					
Xenon Config Register B	0Eh	NVM	IGBT_fall2 zero_slow	extend_pulse				switch_current_selection		
Xenon Config Register C	0Fh	NVM	coil_peak_current		IGBT_rise_and_fall_speed			IGBT_fall_speed2zero		
LED Current Register	10h	00h	IND_LED_current		AF_LED_PWM			AF_LED_current		
LED Control Register	11h	00h	0	0	0	0	AF	PWM	INDP	IND
LED Configuration Register	12h	NVM	ILP	switch_current_boost	switch_current_selection_max			Max_LED_current		
Password Register	13h	00h	Password_register							
General Purpose OTP 1	14h	NVM	User defined							
General Purpose OTP 2	15h	NVM	User defined							

Table 26. Register Map (Continued)

Register Definition	Addr	Default	Content								
			b7	b6	b5	b4	b3	b2	b1	b0	
Photosensor Register	18h	00h	phsens_on	vsens_off_voltage							
Xenon Voltage ADC	19h	00h	xenon_adc_on	xenon_charge_voltage							

NVM...Non Volatile Memory using internal EEPROM; for programming see [EEPROM Writing Cycle on page 13](#), don't read or write during life time counter updates

Upon delivery the EEPROM default value are set according to [Table 27](#):

Table 27. EEPROM default settings

Register Definition	Addr	Default	Content							
			b7	b6	b5	b4	b3	b2	b1	b0
Module Info Reg.A	02h	05h	Module_Manufacturer_ID			Module_Generation			Module_Type	
Module Info Register B	03h	00h	Module_Project_Number				Module_Major_Version			
Xenon SST Pulse Length Register	0Ah	08h	xenon_SST_pulse_length							
Xenon Life Time Register MSB	0Bh	00h	xenon_life_counter_MSB							
Xenon Life Time Register LSB	0Ch	00h	xenon_life_counter_LSB							
Xenon Config Register A	0Dh	00h	0	0	charge_voltage_selection					
Xenon Config Register B	0Eh	86h	IGBT_fall2 zero_slow	extend_pulse				switch_current_selection		
Xenon Config Register C	0Fh	80h	coil_peak_current		IGBT_rise_and_fall_speed			IGBT_fall_speed2zero		
LED Configuration Register	12h	07h	ILP	switch_current_boost	switch_current_selection_max			Max_LED_current		
General Purpose OTP 1	14h	00h	User defined							
General Purpose OTP 2	15h	00h	User defined							

10 Application Information

External Components

Transformers T_{CHARGE} and T_{TRIG}

Following transformers are recommend for the AS3636 (due to the programming features the output voltage V_{FLASH} can be programmed):

Table 28. Recommended Transformers

Component	Part Number	N	L	Size (mm)	Manufacturer
T_{CHARGE}	TTRN-3825H	10.2	7 μ H	3.8x3.8x2.5	Tokyo Coil www.tokyo-coil.co.jp
	TTRN-3822H	10.2	7 μ H	3.8x3.8x2.2	
	C3-T2.5R	10.2	7 μ H	3.4x3.4x2.5	Mitsumi www.mitsumi.co.jp
	LDT4520T-01	10.2	10 μ H	4.7x4.5x2.0	TDK www.tdk.com
T_{TRIG}	BO-02			7.3x2.5(3.5)x2.2	Tokyo Coil www.tokyo-coil.co.jp

Always check if the voltage on the pin SW_F does never exceed the AS3636 maximum V_{sw} (see Table 3 on page 4) specification during charging.

IGBT

As the AS3636 has an internal DCDC step up included, 2.5V and 4V IGBT can be used without limit on the supply V_{BAT} . The IGBT is used for two purposes:

1. Powering of the Xenon tube and generating together with the oscillation circuit consisting of T_{TRIG} , C_{TRIG} , R_{TRIG} a sufficiently high trigger pulse to ignite the Xenon tube (about 3.5kV) - this is accomplished by a fast rising edge of the gate of the IGBT
2. Switching off the current through the Xenon tube at the end of the flash pulse to accurately control the light emitted by the flash. To protect the IGBT the switching off falling edge voltage should be less than 400V/ μ s (measured on the emitter of the IGBT)

Both requirements are achieved with the internal driving circuit of the AS3636. Trimming allows to adopt to different trigger coils and IGBTs.

Table 29. Recommended IGBTs

Component	Part Number	min. Drive Voltage	Size	Manufacturer
Q_{IGBT}	RJP4002ANS	2.5V	VSON-8 3 x 4.8mm	Renesas www.renesas.com
	RJP4003ANS	4.0V		
	RJP4006ANS	2.5V	2.85x2.95mm	
	GT8G133	4.0V	TSSOP-8 3.3 x 6.4mm	Toshiba www.semicon.toshiba.co.jp
	TIG058E8	4.0V	ECH8 2.8 x 2.9mm	Sanyo www.sanyo.com

Photoflash Capacitor C_{FLASH}

The photoflash capacitor stores the energy for the flash. Its capacitance define the maximum available energy. Using higher value capacitors as shown in Table 30 is possible, but will increase the charging time.

It is recommended to use low ESR capacitors to avoid losing power during flash (it is also possible to connect two capacitors in parallel to reduce ESR):

Table 30. Recommended Photoflash Capacitors

Component	Part Number	Capacitor	Voltage rating	Size	Manufacturer
C_{FLASH}	330FW13A6.3X20	2x13.5 μ F ¹	330V	Cylinder 2 x l=24mm, d=7mm	Rubycon www.rubycon.co.jp

1. Different capacitor values are possible to be used together with the AS3636. Lower capacitor value will reduce charging time, lower ESR capacitor will improve light output energy and reduce losses in the capacitor during the flash pulse.

Photoflash Charger rectification diode D_{CHARGE}

The rectification diode should have very low parasitic capacitance¹⁹ and has to withstand the operating current and reverse voltages.

Table 31. Recommended Rectification Diodes

Component	Part Number	Parasitic Capacitor	Voltage rating	Size	Manufacturer
D_{CHARGE}	FVO2R80	5pF	800V	1.25x2.5mm	Origin www.origin.co.jp
	GSD2004S	5pF / 2	2x240V	SOT-23 2.4x3.0mm	Vishay www.vishay.com
	BAS21	5pF / 2	2x250V	SC-70 2.0x2.1mm	OnSemi www.onsemi.com

Supply Capacitor C_{VBAT} and DCDC Boost capacitor $C_{VOUTBOOST}$

Low ESR capacitors should be used to minimize VBAT ripple. Multi-layer ceramic capacitors are recommended since they have extremely low ESR and are available in small footprints. The capacitor should be located as close to the device as possible.

X5R dielectric material is recommended due to their ability to maintain capacitance over wide voltage and temperature range.

Table 32. Recommended C_{VBAT} and $C_{VOUTBOOST}$ Capacitor

Component	Part Number	C	TC Code	Rated Voltage	Size	Manufacturer
C_{VBAT}	GRM188R60J126	10 μ F >5.5 μ F @1.8V	X5R	6.3V	0603	Murata www.murata.com
$C_{VOUTBOOST}$	C1608X5R 0J106M	10 μ F	X5R	6.3V	0603	TDK www.tdk.com

If a different output capacitor is chosen, ensure low ESR values and voltage ratings.

¹⁹A low parasitic capacitance improves charging efficiency.

Inductor L_{DCDC}

The fast switching frequency (2MHz) of the AS3636 allows for the use of small SMDs for the external inductor. The inductor should have low DC resistance (DCR) to reduce the I^2R power losses - high DCR values will reduce efficiency.

Table 33. Recommended Inductor

Part Number	L	DCR	L @ 0.5A	Size	Manufacturer
LQM21PN2R2	2.2μH	240mΩ	>1.5μH	2x1.25x0.9mm (0805)	Murata www.murata.com

If a different inductor is chosen, ensure similar DCR values and at least 1.5μH inductance at 0.5A input current.

PCB Layout Guideline

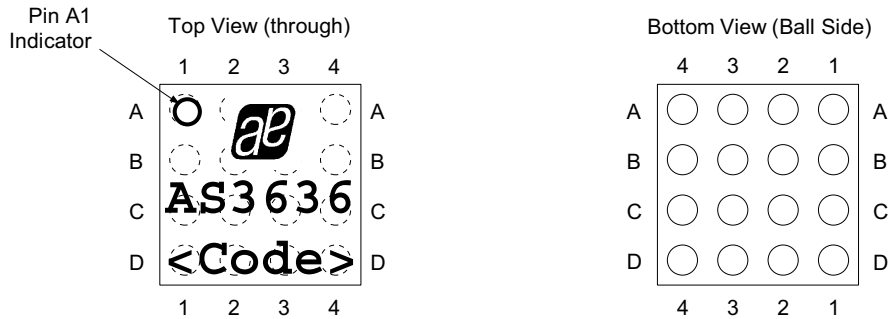
Following layout recommendations apply:

1. Keep the path (and area) of GND (SGND directly connected to DGND below the WL-CSP) - CVBAT - VBATINT - TCHARGE(primary) - SW_F - GND as short as possible to minimize the leakage inductance of TCHARGE and ensure a proper supply connection for the AS3636
2. Keep the path (and area) of GND - CVBAT - LBOOST - SW_B - VOUTBOOST - CVOUTBOOST - GND as short as possible.
3. Place CVBAT as close as possible to the AS3636.
4. Ensure wide and short PCB paths for the path GND - CFLASH - XFLASH - QIGBT - GND to allow 150A to flow during the flash pulse. Connect this GND only at a single place to the main GND plane.
5. The IGBT has two ground connections: One ground for the driving input and one ground for the power path.
6. Ensure larger spacings for all high voltage paths; check with the PCB manufacturer to ensure proper minimum spacing for 320V paths and 4kV (Xenon tube trigger pin) paths.
7. Minimize the parasitic capacitance of the PCB on the anode of D_{CHARGE} especially to GND and VFLASH
8. See austriamicrosystems "WLP-CSP-Handling-Guidelines_1V0.pdf" for proper handling, PCB layout and soldering of the WL-CSP AS3636 device.
9. In order to meet system level ESD protection careful routing of the ground lines, supply capacitor CVBAT and supply lines is required.

See austriamicrosystems demoboard layout (described in application note 'AN3636').

11 Package Drawings and Markings

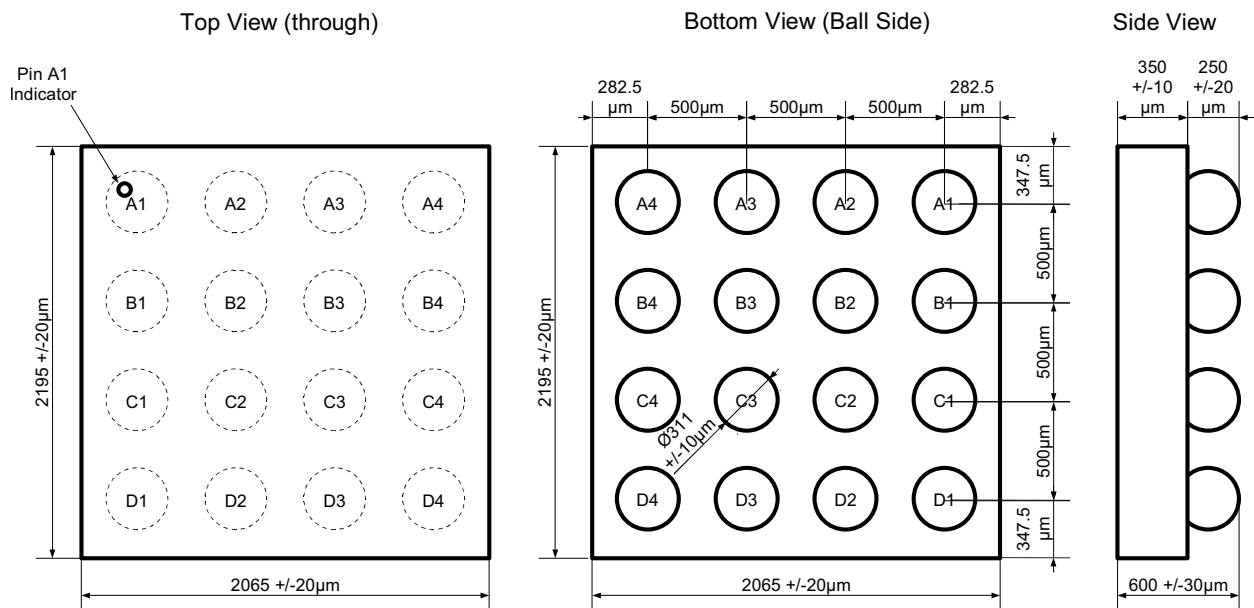
Figure 20. 16pin WL-CSP 2x2.15mm Marking



Note:

- Line 1: austriamicrosystems logo
- Line 2: AS3636
- Line 3: <Code>
Encoded Datecode (4 characters)

Figure 21. 16pin WL-CSP 2x2.15mm Package Dimensions



The coplanarity of the balls is 40µm.

12 Ordering Information

The devices are available as the standard products shown in [Table 34](#).

Table 34. Ordering Information

Model	Description	Delivery Form	Package
AS3636-ZWLT	Xenon Driver IC with LED Driver and Life Time Counter	Tape & Reel	16-pin WL-CSP (2mm x 2.15mm) RoHS compliant / Pb-Free

Note: AS3636-ZWLT

AS3636

Z Temperature Range: -30°C - 85°C

WL Package: Wafer Level Chip Scale Package (WL-CSP) 2x2.15mm

T Delivery Form: Tape & Reel

Copyrights

Copyright © 1997-2009, austriamicrosystems AG, Schloss Premstaetten, 8141 Unterpremstaetten, Austria-Europe. Trademarks Registered ®. All rights reserved. The material herein may not be reproduced, adapted, merged, translated, stored, or used without the prior written consent of the copyright owner.

All products and companies mentioned are trademarks or registered trademarks of their respective companies.

Disclaimer

Devices sold by austriamicrosystems AG are covered by the warranty and patent indemnification provisions appearing in its Term of Sale. austriamicrosystems AG makes no warranty, express, statutory, implied, or by description regarding the information set forth herein or regarding the freedom of the described devices from patent infringement. austriamicrosystems AG reserves the right to change specifications and prices at any time and without notice. Therefore, prior to designing this product into a system, it is necessary to check with austriamicrosystems AG for current information. This product is intended for use in normal commercial applications. Applications requiring extended temperature range, unusual environmental requirements, or high reliability applications, such as military, medical life-support or life-sustaining equipment are specifically not recommended without additional processing by austriamicrosystems AG for each application. For shipments of less than 100 parts the manufacturing flow might show deviations from the standard production flow, such as test flow or test location.

The information furnished here by austriamicrosystems AG is believed to be correct and accurate. However, austriamicrosystems AG shall not be liable to recipient or any third party for any damages, including but not limited to personal injury, property damage, loss of profits, loss of use, interruption of business or indirect, special, incidental or consequential damages, of any kind, in connection with or arising out of the furnishing, performance or use of the technical data herein. No obligation or liability to recipient or any third party shall arise or flow out of austriamicrosystems AG rendering of technical or other services.



Contact Information

Headquarters

austriamicrosystems AG
A-8141 Schloss Premstaetten, Austria

Tel: +43 (0) 3136 500 0
Fax: +43 (0) 3136 525 01

For Sales Offices, Distributors and Representatives, please visit:

<http://www.austriamicrosystems.com/contact>