

Description

These Linear LED drivers are designed to meet the stringent requirements of automotive applications.

The BCR420U and BCR421U monolithically integrate transistors, diodes and resistors to function as a Constant Current Regulator (CCR) for linear LED driving. The device regulates with a preset 10mA nominal that can be adjusted with an external resistor up to 350mA. It is designed for driving LEDs in strings and will reduce current at increasing temperatures to self-protect. Operating as a series linear CCR for LED string current control, it can be used in multiple applications, as long as the maximum supply voltage to the device is < 40V.

With the low-side control, the BCR421U has an Enable (EN) pin which can be pulse-width modulated (PWM) up to 25kHz by a micro-controller for LED dimming.

With no need for additional external components, this CCR is fully integrated into a 2mm x 2mm x 0.6mm package (U-DFN2020-6) minimizing PCB area, off-board height, and component count.

Applications

Constant Current Regulation (CCR) in automotive LED lighting:

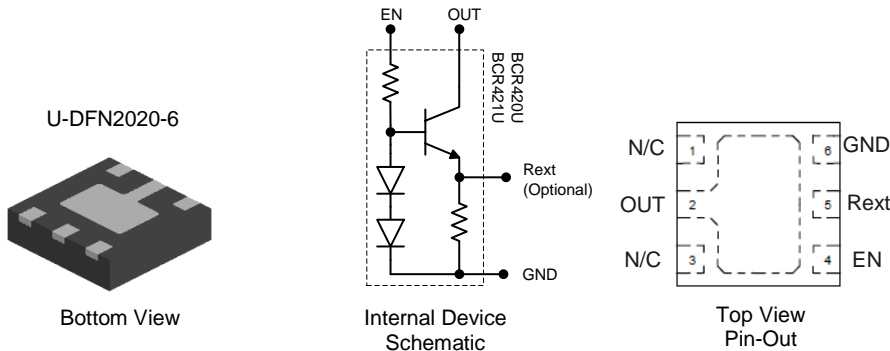
- Interior and Exterior Automotive LED Lighting
- Dome and Mood Lighting
- Puddle Lighting
- Side Marker Lights
- Edge Lighting Strips

Features

- LED Constant Current Regulator Using NPN Emitter-Follower with Emitter Resistor to Current Limit
- I_{OUT} – 10mA \pm 10% Constant Current (Preset)
- I_{OUT} up to 350mA Adjustable with an External Resistor (BCR421U)
- V_{OUT} – 40V Supply Voltage
- P_D up to 1.7W in U-DFN2020-6 Package
- 0.6mm Height for Low-profile Edge Lighting
- Low-Side Control Enabling PWM Input < 25kHz (BCR421U)
- Negative Temperature Coefficient (NTC) Reduces I_{OUT} with Increasing Temperature
- Parallel Devices to Increase Regulated Current
- **Totally Lead-Free & Fully RoHS Compliant (Notes 1 & 2)**
- **Halogen and Antimony Free. "Green" Device (Note 3)**
- **Qualified to AEC-Q101 Standards for High Reliability**
- **PPAP Capable (Note 4)**

Mechanical Data

- Case: U-DFN2020-6
- Case Material: Molded Plastic. "Green" Molding Compound. UL Flammability Rating 94V-0
- Moisture Sensitivity: Level 1 per J-STD-020
- Terminals: Finish - NiPdAu, Solderable per MIL-STD-202, Method 208 ^(e4)
- Weight: 0.018 grams (Approximate)



Pin Name	Pin Function
OUT	Regulated Output Current
EN	Enable for Biasing Transistor
Rext	External Resistor for Adjusting Output Current
GND	Power Ground
N/C	Not Connected Internally

Ordering Information (Note 5)

Part Number	Compliance	Marking	Reel Size (inches)	Tape Width (mm)	Quantity Per Reel
BCR420UFDQ-7	Automotive	420	7	8	3,000
BCR421UFDQ-7	Automotive	421	7	8	3,000

- Notes:
1. No purposely added lead. Fully EU Directive 2002/95/EC (RoHS), 2011/65/EU (RoHS 2) & 2015/863/EU (RoHS 3) compliant.
 2. See <https://www.diodes.com/quality/lead-free/> for more information about Diodes Incorporated's definitions of Halogen- and Antimony-free, "Green" and Lead-free.
 3. Halogen- and Antimony-free "Green" products are defined as those which contain <900ppm bromine, <900ppm chlorine (<1500ppm total Br + Cl) and <1000ppm antimony compounds.
 4. Automotive products are AEC-Q101 qualified and are PPAP capable. Refer to <https://www.diodes.com/quality/>.
 5. For packaging details, go to our website at <https://www.diodes.com/design/support/packaging/diodes-packaging/>.

Marking Information



xxx = Part Marking (See Ordering Information)
 Y = Year: 0-9
 W = Week: A-Z: 1-26 week;
 a-z: 27-52 week; z represents
 52 and 53 week

Absolute Maximum Ratings (Voltage relative to GND, @T_A = +25°C, unless otherwise specified.)

Characteristic	Symbol	Value	Unit
Enable Voltage	V _{EN}	40	V
		18	
Output Current	I _{OUT}	500	mA
Output Voltage	V _{OUT}	40	V
Reverse Voltage Between all Terminals	V _R	0.5	V

Thermal Characteristics (@T_A = +25°C, unless otherwise specified.)

Characteristic	Symbol	Value	Unit
Power Dissipation	P _D	1.7	W
		1.3	
Thermal Resistance, Junction to Ambient	R _{θJA}	75	°C/W
		100	
Thermal Resistance, Junction to Lead	R _{θJL}	35	°C/W
Recommended Operating Junction Temperature Range	T _J	-55 to +150	°C
Maximum Operating Junction and Storage Temperature Range	T _J , T _{STG}	-65 to +150	

ESD Ratings (Note 9)

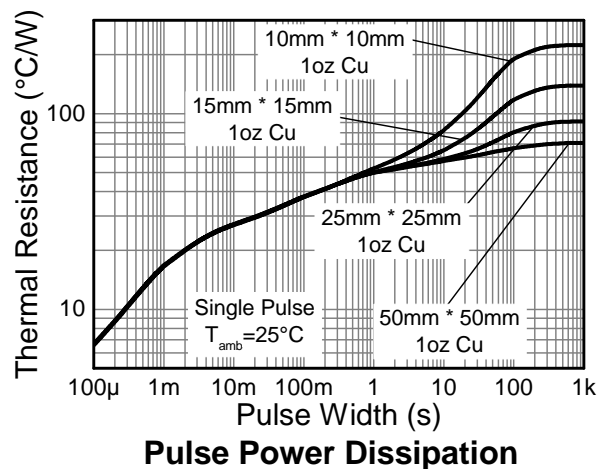
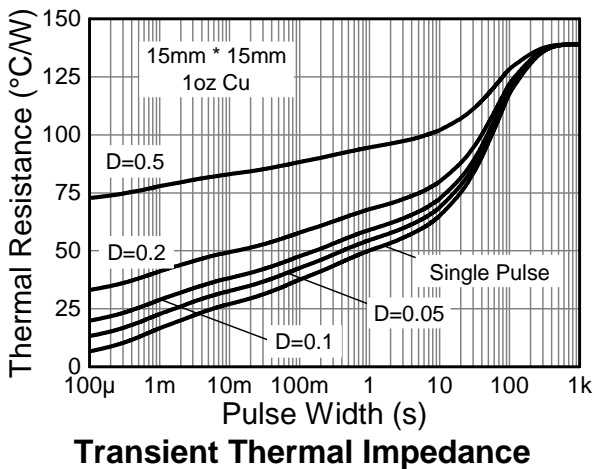
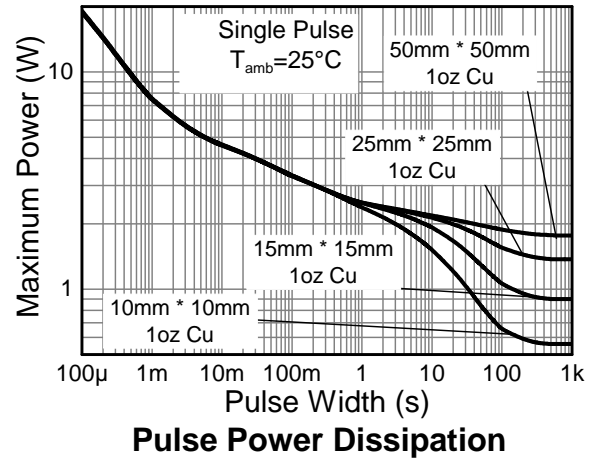
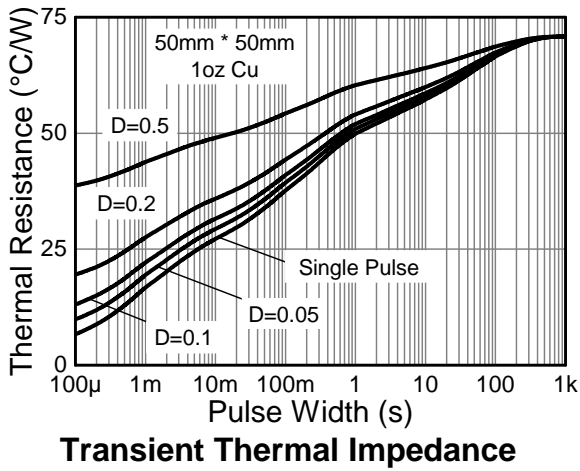
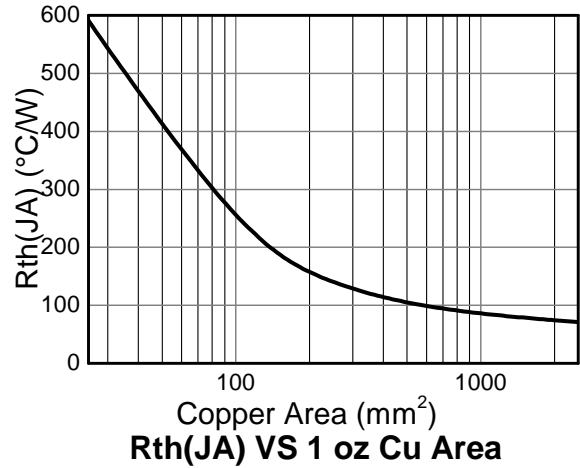
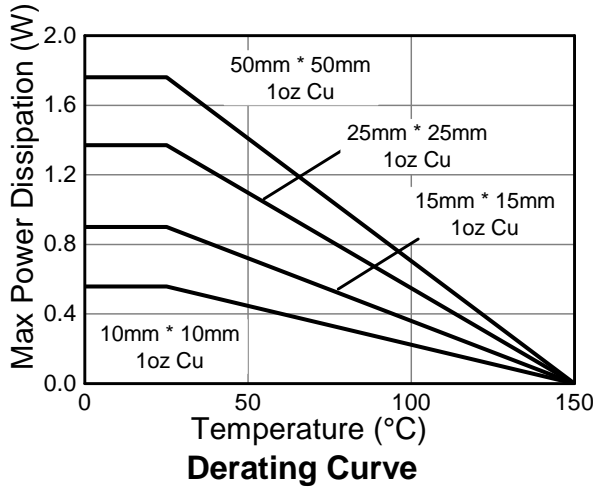
Characteristic	Symbol	Value	Unit	JEDEC Class
Electrostatic Discharge – Human Body Model	HBM	700	V	1B
		1000	V	1C
Electrostatic Discharge – Machine Model	MM	300	V	B
		400	V	C

- Notes:
6. For a device mounted with the OUT leads on 50mm x 50mm 1oz copper that is on a single-sided 1.6mm FR-4 PCB; device is measured under still air conditions while operating in steady-state.
 7. Same as Note 6, except mounted on 25mm x 25mm 1oz copper.
 8. R_{θJL} = Thermal resistance from junction to solder-point (at the end of the OUT leads).
 9. Refer to JEDEC specification JESD22-A114 and JESD22-A115.

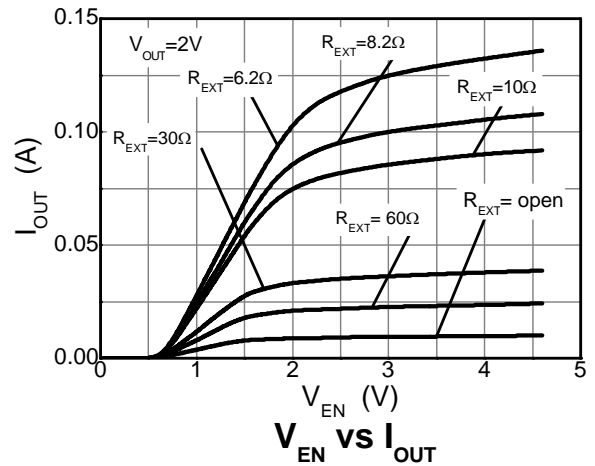
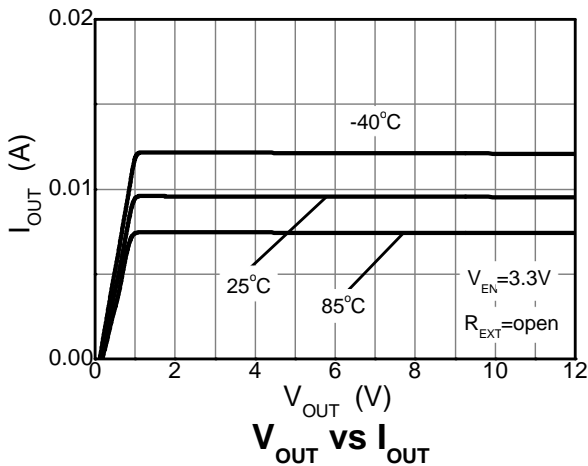
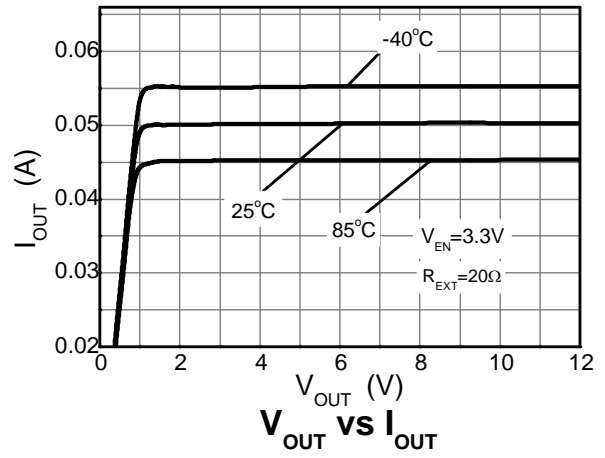
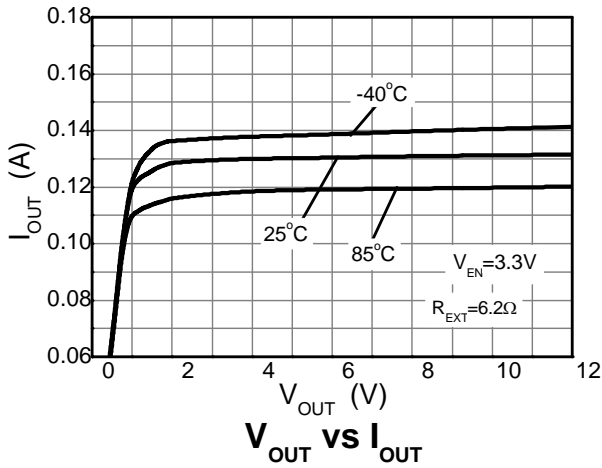
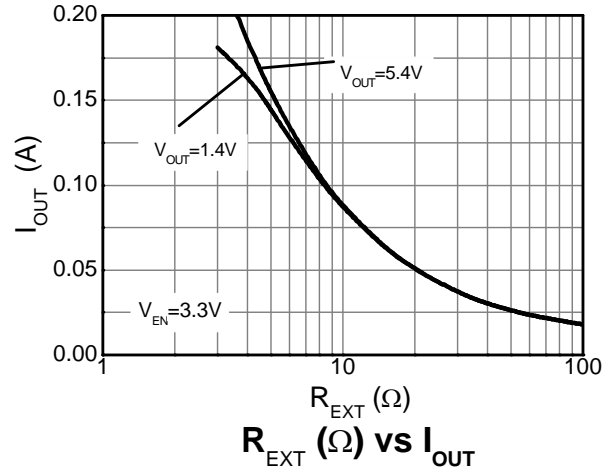
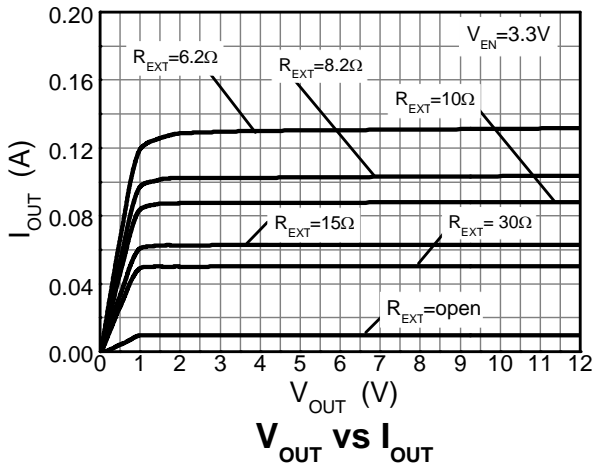
Electrical Characteristics (@T_A = +25°C, unless otherwise specified.)

Characteristic	Symbol	Min	Typ	Max	Unit	Test Condition	
Collector-Emitter Breakdown Voltage	BV _{CEO}	40	—	—	V	I _C = 1mA	
Enable Current	BCR420U	I _{EN}	—	1.2	—	mA	V _{EN} = 24V
	BCR421U		—	1.2	—		V _{EN} = 3.3V
DC Current Gain	h _{FE}	200	350	500	—	I _C = 50mA; V _{CE} = 1V	
Internal Resistor	R _{INT}	85	95	105	Ω	I _{RINT} = 10mA	
Bias Resistor	BCR420U	R _B	—	20	—	kΩ	—
	BCR421U		—	1.5	—		—
Output Current	BCR420U	I _{OUT}	9	10	11	mA	V _{OUT} = 1.4V; V _{EN} = 24V
	BCR421U		9	10	11		V _{OUT} = 1.4V; V _{EN} = 3.3V
Output Current at R _{EXT} = 5.1Ω	BCR420U	I _{OUT}	—	150	—	mA	V _{OUT} > 2.0V; V _{EN} = 24V
	BCR421U		—	150	—		V _{OUT} > 2.0V; V _{EN} = 3.3V
Voltage Drop (V _{REXT})	V _{DROP}	0.85	0.95	1.05	V	I _{OUT} = 10mA	
Minimum Output Voltage	V _{OUT(MIN)}	—	1.4	—	V	I _{OUT} > 18mA	
Output Current Change vs. Temperature	BCR420U	ΔI _{OUT} /I _{OUT}	—	-0.2	—	%°C	V _{OUT} > 2.0V; V _{EN} = 24V
	BCR421U		—	-0.2	—		V _{OUT} > 2.0V; V _{EN} = 3.3V
Output Current Change vs. Supply Voltage	BCR420U	ΔI _{OUT} /I _{OUT}	—	1	—	%V	V _{OUT} > 2.0V; V _{EN} = 24V
	BCR421U		—	1	—		V _{OUT} > 2.0V; V _{EN} = 3.3V

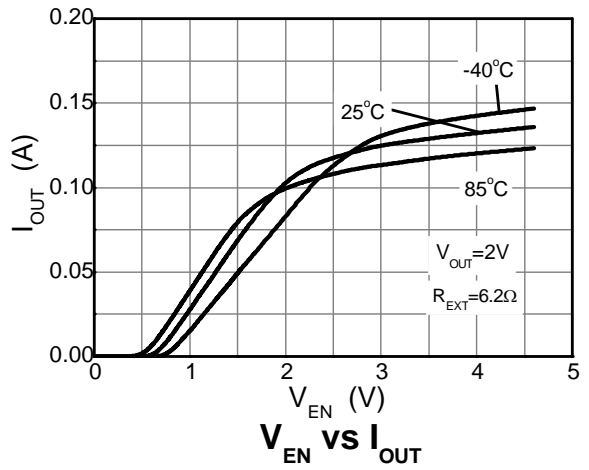
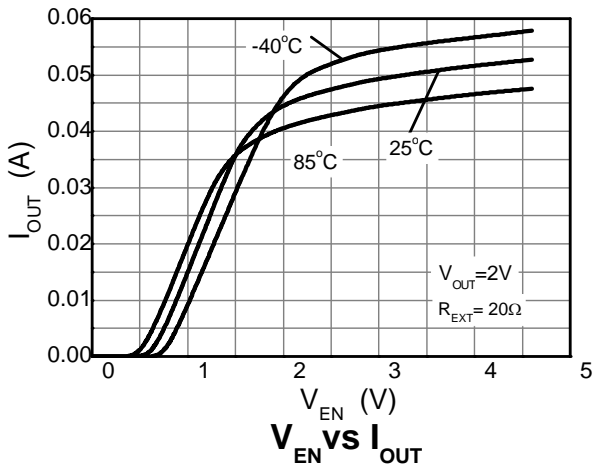
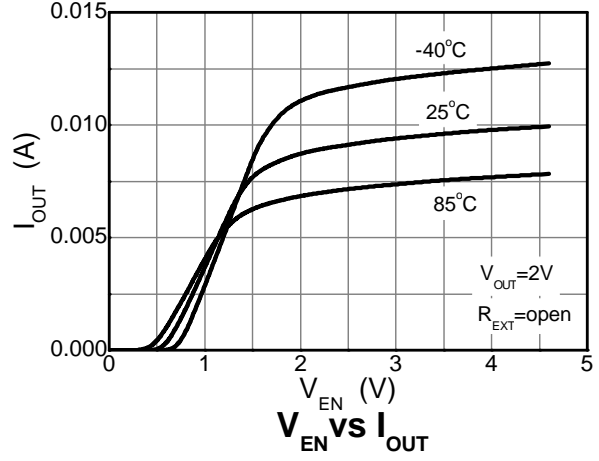
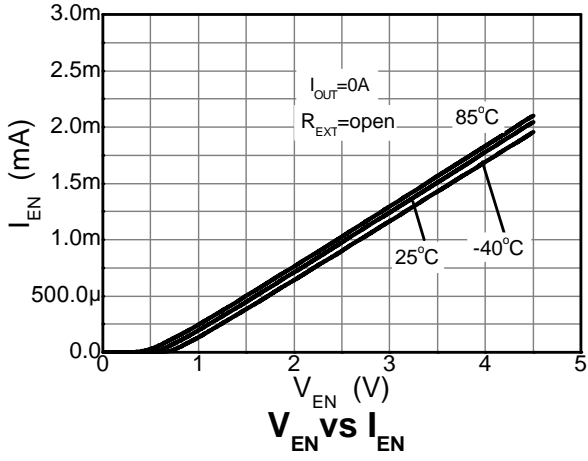
Typical Thermal Characteristics BCR420/1U (@ $T_A = +25^\circ\text{C}$, unless otherwise specified.)



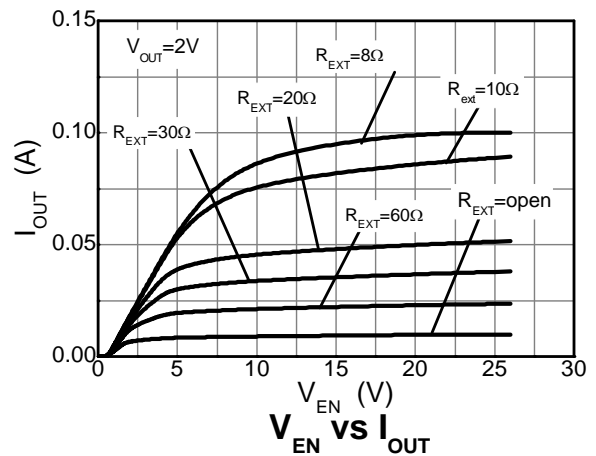
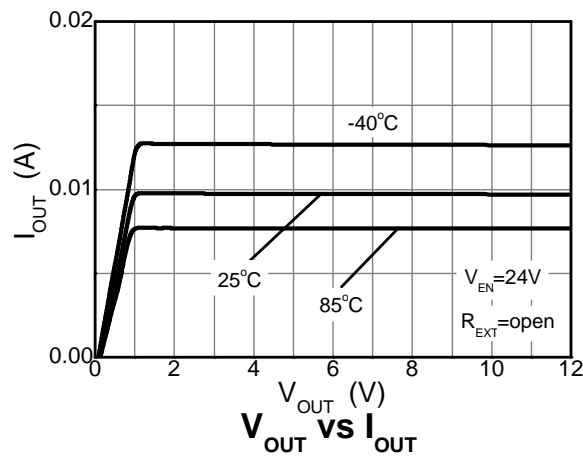
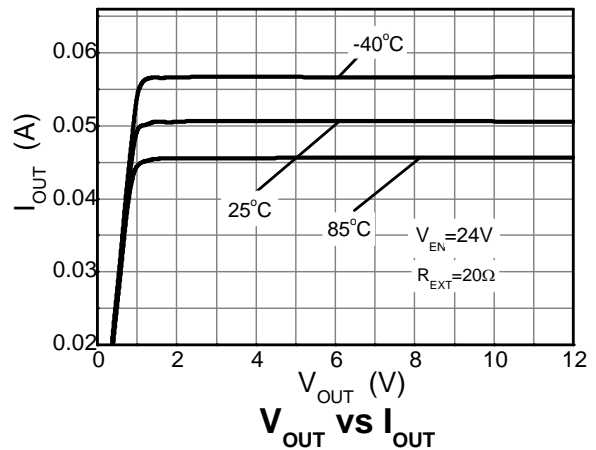
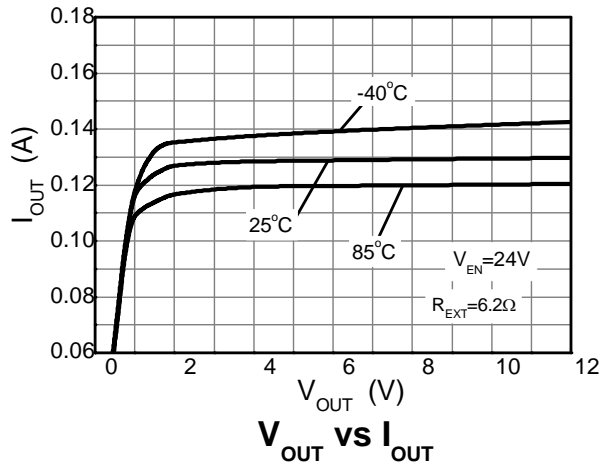
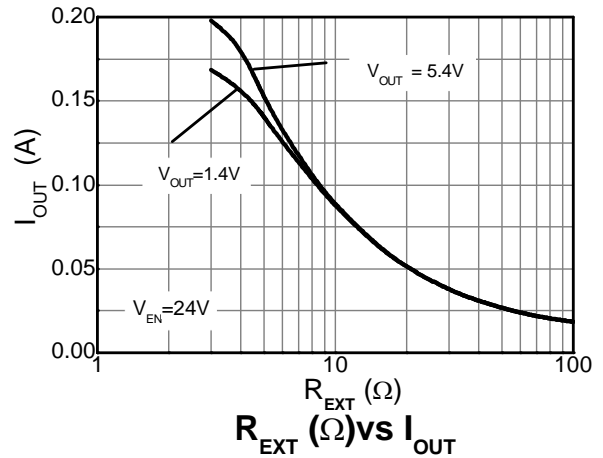
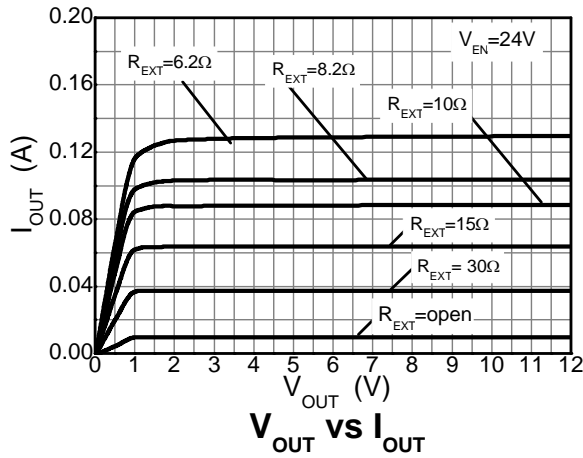
Typical Electrical Characteristics BCR421U (@T_A = +25°C, unless otherwise specified.)



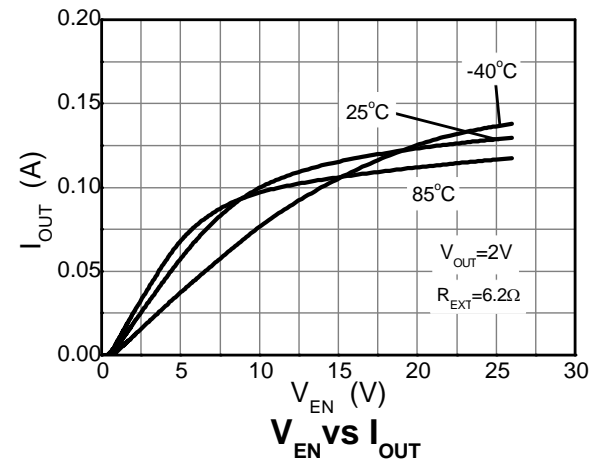
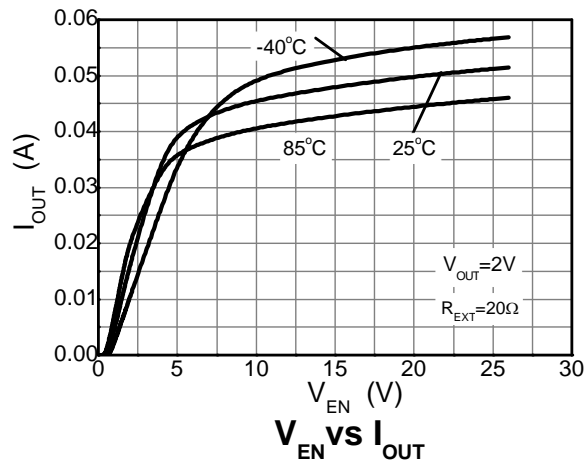
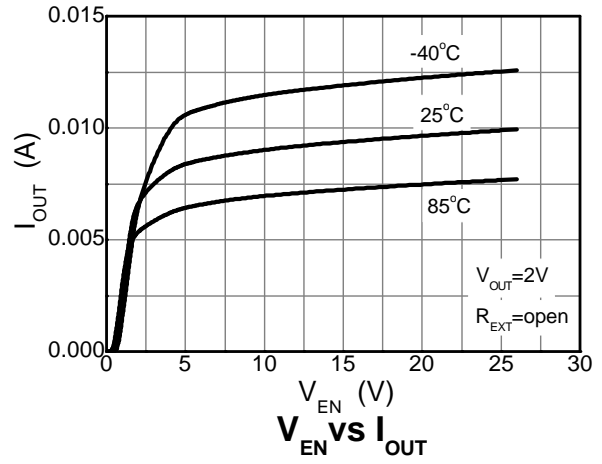
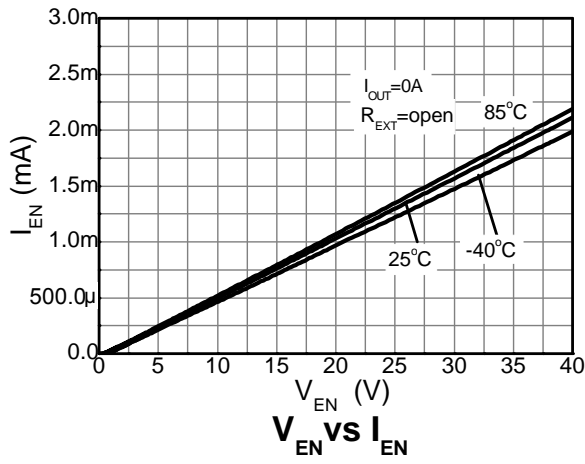
Typical Electrical Characteristics BCR421U (Cont.) (@T_A = +25°C, unless otherwise specified.)



Typical Electrical Characteristics BCR420U (Cont.) (@T_A = +25°C, unless otherwise specified.)



Typical Electrical Characteristics BCR420U (Cont.) (@T_A = +25°C, unless otherwise specified.)



Application Information

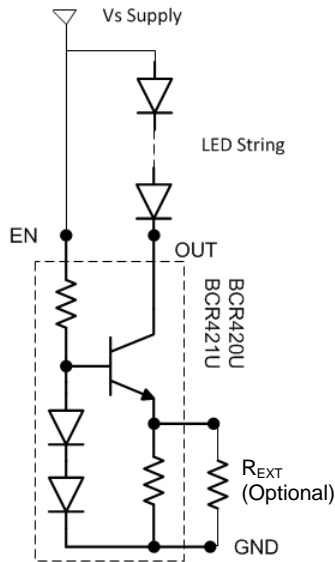


Figure 1 Typical Application Circuit for Linear Mode Current Sink LED Driver

The BCR420/1 are designed for driving low current LEDs with typical LED currents of 10mA to 350mA. They provide a cost-effective way for driving low current LEDs compared with more complex switching regulator solutions. Furthermore, they reduce the PCB board area of the solution as there is no need for external components like inductors, capacitors and switching diodes.

Figure 1 shows a typical application circuit diagram for driving an LED or string of LEDs. The device comes with an internal resistor (R_{INT}) of typically 95Ω , which in the absence of an external resistor, sets an LED current of 10mA (typical) from a $V_{EN} = 3.3V$ and $V_{OUT} = 1.4V$ for BCR421; or $V_{EN} = 24V$ and $V_{OUT} = 1.4V$ for BCR420. LED current can be increased to a desired value by choosing an appropriate external resistor, R_{EXT} .

The R_{EXT} vs I_{OUT} graphs should be used to select the appropriate resistor. Choosing a low tolerance R_{EXT} will improve the overall accuracy of the current sense formed by the parallel connection of R_{INT} and R_{EXT} .

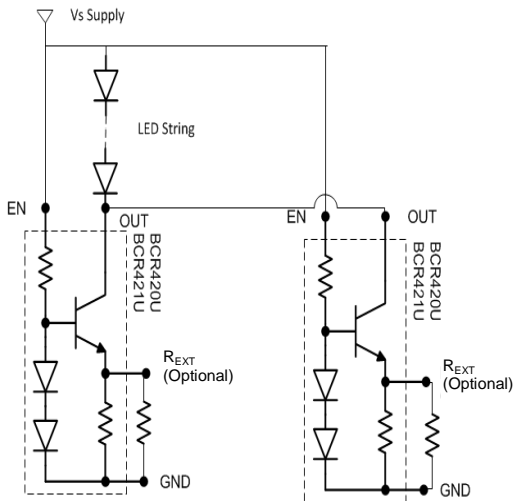


Figure 2 Application Circuit for Increasing LED Current

Two or more BCR420/1s can be connected in parallel to construct higher current LED strings as shown in Figure 2. Consideration of the expected linear mode power dissipation must be factored into the design, with respect to the BCR420/1's thermal resistance. The maximum voltage across the device can be calculated by taking the maximum supply voltage and subtracting the voltage across the LED string.

$$V_{OUT} = V_S - V_{LED}$$

$$P_D = (V_{OUT} \times I_{LED}) + (V_{EN} \times I_{EN})$$

As the output current of BCR420/1 increases, it is necessary to provide appropriate thermal relief to the device. The power dissipation supported by the device is dependent upon the PCB board material, the copper area and the ambient temperature. The maximum dissipation the device can handle is given by:

$$P_D = (T_{J(MAX)} - T_A) / R_{\theta JA}$$

Refer to the thermal characteristic graphs on Page 4 for selecting the appropriate PCB copper area.

Application Information (Cont.)

PWM dimming can be achieved by driving the EN pin. Dimming is achieved by turning the LEDs ON and OFF for a portion of a single cycle. The PWM signal can be provided by a micro-controller or analog circuitry; typical circuit is shown in Figure 3. Figure 4 is a typical response of LED current vs. PWM duty cycle on the EN pin. PWM up to 25kHz with duty cycle of 0.5% (dimming range 200:1). This is above the audio band minimizing audible power supply noise.

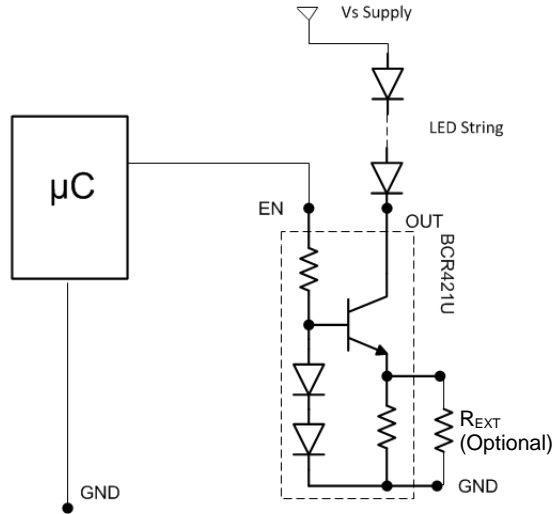


Figure 3 Application Circuits for LED Driver with PWM Dimming Functionality using BCR421U

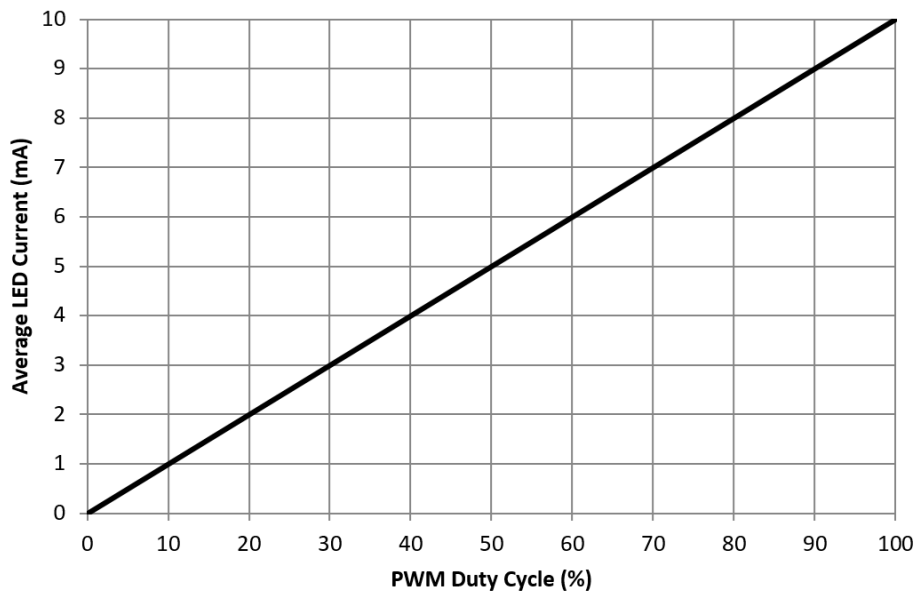


Figure 4 Typical LED Current Response vs. PWM Duty Cycle for 25kHz PWM Frequency (Dimming Range 200:1)

Application Information (Cont.)

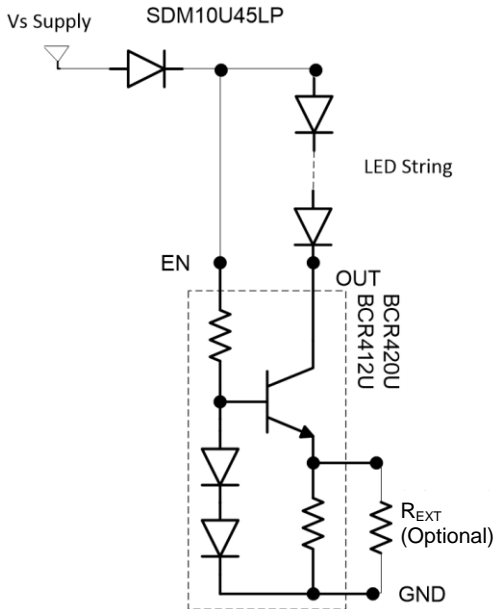


Figure 5 Application Circuit for LED Driver with Reverse Polarity Protection

To remove the potential of incorrect connection of the power supply damaging the lamp's LEDs, many systems use some form of reverse polarity protection.

One solution for reverse input polarity protection is to simply use a diode with a low V_F in line with the driver/LED combination. The low V_F increases the available voltage to the LED stack and dissipates less power. A circuit example is presented in Figure 5 which protects the light engine although it will not function until the problem is diagnosed and corrected. An SDM10U45LP (0.1A/45V) is shown, providing exceptionally low V_F for its package size of 1mm x 0.6mm. Other reverse voltage ratings are available from Diodes Incorporated's website such as the SBR02U100LP (0.2A/100V) or SBR0220LP (0.2A/20V).

While automotive applications commonly use this method for reverse battery protection, an alternative approach shown in Figure 6, provides reverse polarity protection and corrects the reversed polarity, allowing the light engine to function.

The BAS40BRW incorporates four low V_F Schottky diodes in a single package, reducing the power dissipated and maximizes the voltage across the LED stack.

Figure 7 shows an example configuration for 350mA operation using BCR421U. In such higher current configurations adequate enable current is provided by increasing the enable voltage.

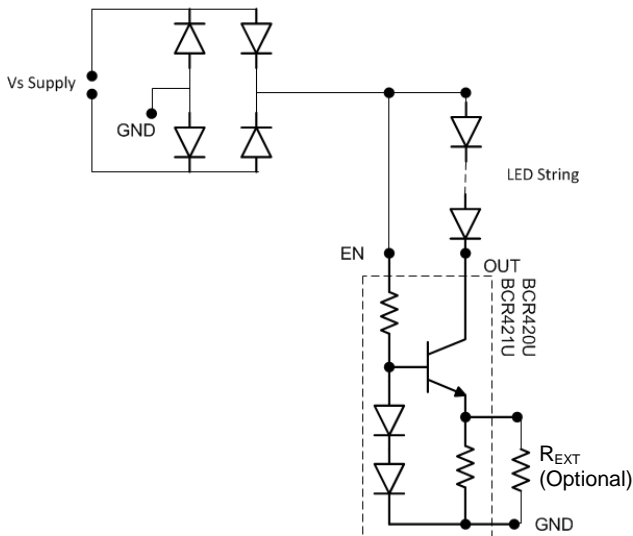


Figure 6 Application Circuit for LED Driver with Assured Operation Regardless Of Polarity

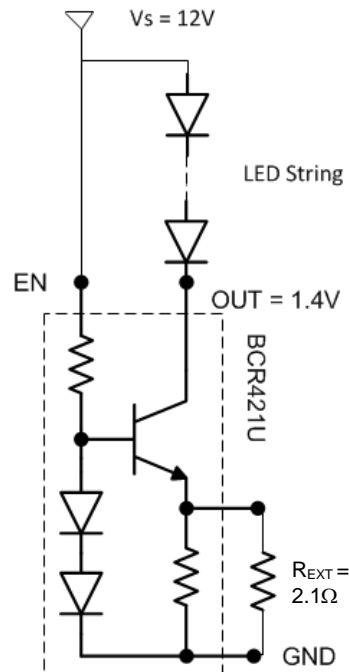
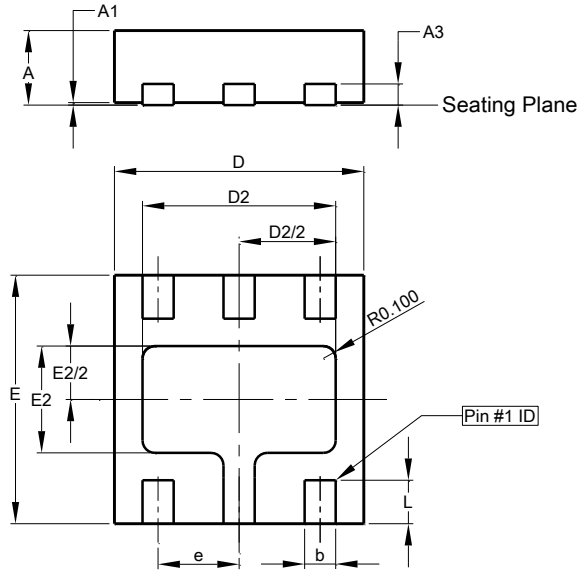


Figure 7 Example for 350mA Operation using BCR421U

Package Outline Dimensions

Please see <http://www.diodes.com/package-outlines.html> for the latest version.

U-DFN2020-6

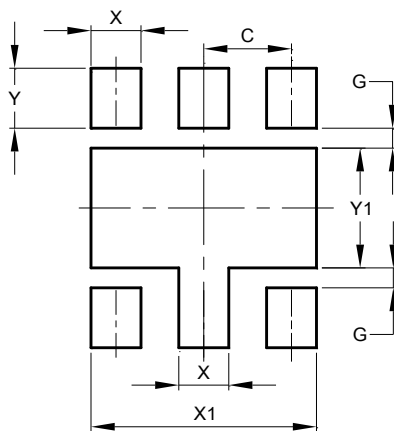


U-DFN2020-6			
Dim	Min	Max	Typ
A	0.57	0.63	0.60
A1	0	0.05	0.03
A3	-	-	0.15
b	0.20	0.30	0.25
D	1.95	2.075	2.00
D2	1.45	1.65	1.55
e	-	-	0.65
E	1.95	2.075	2.00
E2	0.76	0.96	0.86
L	0.30	0.40	0.35
All Dimensions in mm			

Suggested Pad Layout

Please see <http://www.diodes.com/package-outlines.html> for the latest version.

U-DFN2020-6



Dimensions	Value (in mm)
C	0.65
G	0.15
X	0.37
X1	1.67
Y	0.45
Y1	0.90

IMPORTANT NOTICE

DIODES INCORPORATED MAKES NO WARRANTY OF ANY KIND, EXPRESS OR IMPLIED, WITH REGARDS TO THIS DOCUMENT, INCLUDING, BUT NOT LIMITED TO, THE IMPLIED WARRANTIES OF MERCHANTABILITY AND FITNESS FOR A PARTICULAR PURPOSE (AND THEIR EQUIVALENTS UNDER THE LAWS OF ANY JURISDICTION).

Diodes Incorporated and its subsidiaries reserve the right to make modifications, enhancements, improvements, corrections or other changes without further notice to this document and any product described herein. Diodes Incorporated does not assume any liability arising out of the application or use of this document or any product described herein; neither does Diodes Incorporated convey any license under its patent or trademark rights, nor the rights of others. Any Customer or user of this document or products described herein in such applications shall assume all risks of such use and will agree to hold Diodes Incorporated and all the companies whose products are represented on Diodes Incorporated website, harmless against all damages.

Diodes Incorporated does not warrant or accept any liability whatsoever in respect of any products purchased through unauthorized sales channel. Should Customers purchase or use Diodes Incorporated products for any unintended or unauthorized application, Customers shall indemnify and hold Diodes Incorporated and its representatives harmless against all claims, damages, expenses, and attorney fees arising out of, directly or indirectly, any claim of personal injury or death associated with such unintended or unauthorized application.

Products described herein may be covered by one or more United States, international or foreign patents pending. Product names and markings noted herein may also be covered by one or more United States, international or foreign trademarks.

This document is written in English but may be translated into multiple languages for reference. Only the English version of this document is the final and determinative format released by Diodes Incorporated.

LIFE SUPPORT

Diodes Incorporated products are specifically not authorized for use as critical components in life support devices or systems without the express written approval of the Chief Executive Officer of Diodes Incorporated. As used herein:

A. Life support devices or systems are devices or systems which:

1. are intended to implant into the body, or
2. support or sustain life and whose failure to perform when properly used in accordance with instructions for use provided in the labeling can be reasonably expected to result in significant injury to the user.

B. A critical component is any component in a life support device or system whose failure to perform can be reasonably expected to cause the failure of the life support device or to affect its safety or effectiveness.

Customers represent that they have all necessary expertise in the safety and regulatory ramifications of their life support devices or systems, and acknowledge and agree that they are solely responsible for all legal, regulatory and safety-related requirements concerning their products and any use of Diodes Incorporated products in such safety-critical, life support devices or systems, notwithstanding any devices- or systems-related information or support that may be provided by Diodes Incorporated. Further, Customers must fully indemnify Diodes Incorporated and its representatives against any damages arising out of the use of Diodes Incorporated products in such safety-critical, life support devices or systems.

Copyright © 2018, Diodes Incorporated

www.diodes.com