

059

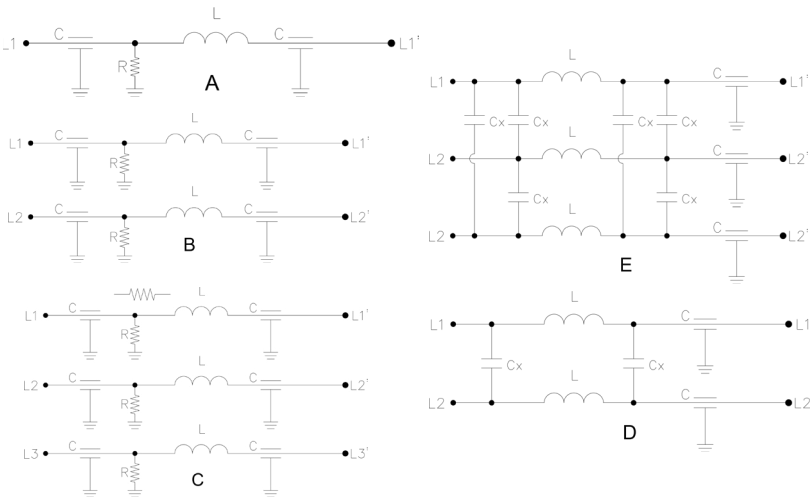
MRI ROOM AND SHIELDED ENCLOSURE FILTERS

FEATURES

- » Rated currents up to 50 A @ 60°C
- » High attenuation (100dB) from 5 MHz to 10 GHz
- » Sealed construction with removable shielded cover for input connections through knock-outs
- » Threaded conduit pipe for output connections via flexible cable
- » User manual and full hardware kit for easy installation
- » Plated steel case



ELECTRICAL SCHEMATIC



SPECIFICATIONS

OPERATING FREQUENCY	50/60Hz
MAX. OPERATING VOLTAGE	120/277 VAC LINE TO GROUND
OPERATING TEMPERATURE	FROM -40 TO 85°C
CLIMATIC CATEGORY	25/100/21
TERMINALS (-T)	SCREW (M5)
ATTENUATION (COMMON MODE)	>100 DB(5 Mhz TO 10 GHz)

TYP. WEIGHT, LBS (KG) *CONTACT FACTORY

TYPICAL LEAKAGE CURRENT

@277 VAC/60 HZ (SCHEMATIC A,B,C)	<50 mA
@277 VAC/60 HZ (SCHEMATIC D,E)	<5 mA

HIPOT RATINGS

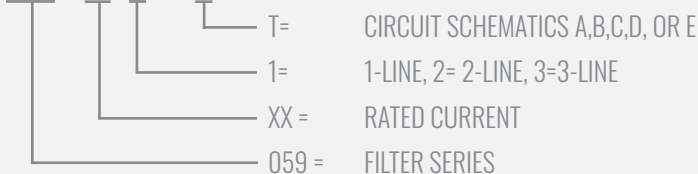
LINE TO GROUND PER UL 1283

TYPICAL APPLICATIONS

- ✓ Shielded rooms and facilities
- ✓ Shielded enclosures
- ✓ Secured communication areas
- ✓ EMC test laboratories
- ✓ Anechoic chambers
- ✓ MRI screened facilities

HOW TO ORDER

059.0XX0Z.00-T



NOTE: USE ANY COMBINATION OF -X (AMPS) WITH ANY -Y RATINGS

E.G. **059.00101.00-A(1AMPS)**

For **X** options see product specification table.

059

MRI ROOM AND SHIELDED ENCLOSURE FILTERS

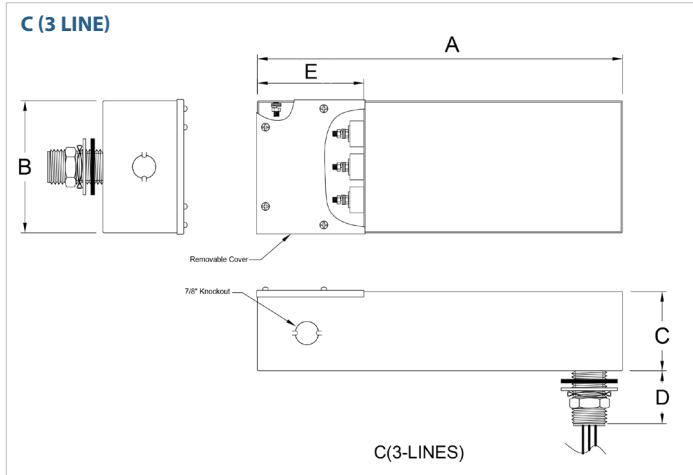
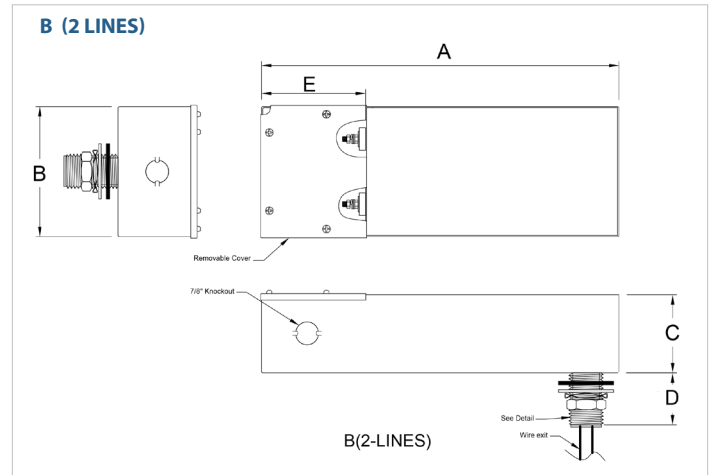
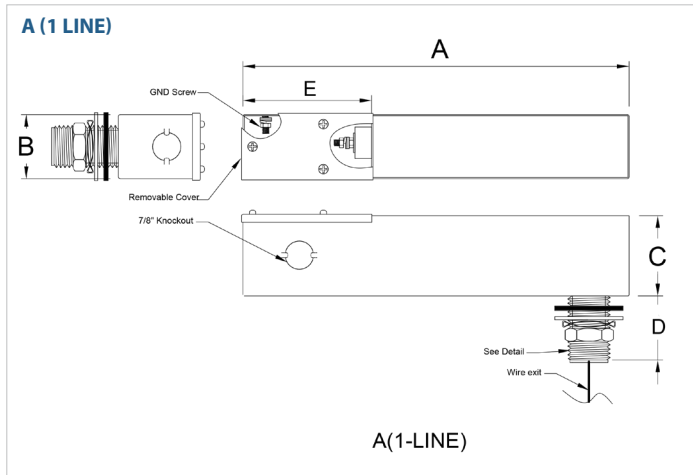
MODEL NO.	RATED CURRENT, A @ 40° C	TERMINAL OPTIONS		MAX. DIMENSIONS" (MM)		
		INPUT	OUTPUT	WIDTH	(LENGTH)	HEIGHT
059.00101.00-A	1	Knock-Out Shielded Screw Type-M5	NPT Threaded Pipe- wire exit	4.33" (110)	20.87" (530)	3.94" (100)
059.00102.00	1	Knock-Out Shielded Screw Type-M5	NPT Threaded Pipe- wire exit	4.33" (110)	20.87" (530)	3.94" (100)
059.00102.00-B	1	Knock-Out Shielded Screw Type-M5	NPT Threaded Pipe- wire exit	4.33" (110)	20.87" (530)	3.94" (100)
059.00103.00-C	1	Knock-Out Shielded Screw Type-M5	NPT Threaded Pipe- wire exit	4.33" (110)	20.87" (530)	3.94" (100)
059.00501.00-A	5	Knock-Out Shielded Screw Type-M5	NPT Threaded Pipe- wire exit	4.33" (110)	18.11" (460)	3.94" (100)
059.00502.00-B	5	Knock-Out Shielded Screw Type-M5	NPT Threaded Pipe- wire exit	4.33" (110)	18.11" (460)	3.94" (100)
059.00503.00-C	5	Knock-Out Shielded Screw Type-M5	NPT Threaded Pipe- wire exit	4.33" (110)	18.11" (460)	3.94" (100)
059.01001.00-A	10	Knock-Out Shielded Screw Type-M5	NPT Threaded Pipe- wire exit	4.33" (110)	18.11" (460)	3.94" (100)
059.01002.00	10	Knock-Out Shielded Screw Type-M5	NPT Threaded Pipe- wire exit	4.72" (120)	22.84" (580)	5.12" (130)
059.01002.00-B	10	Knock-Out Shielded Screw Type-M5	NPT Threaded Pipe- wire exit	4.72" (120)	22.84" (580)	5.12" (130)
059.01003.00-C	10	Knock-Out Shielded Screw Type-M5	NPT Threaded Pipe- wire exit	4.72" (120)	22.84" (580)	5.12" (130)
059.01501.00-A	15	Knock-Out Shielded Screw Type-M5	NPT Threaded Pipe- wire exit	4.72" (120)	22.84" (580)	5.12" (130)
059.01502.00-B	15	Knock-Out Shielded Screw Type-M5	NPT Threaded Pipe- wire exit	4.72" (120)	19.69" (500)	5.12" (130)
059.01503.00-C	15	Knock-Out Shielded Screw Type-M5	NPT Threaded Pipe- wire exit	4.72" (120)	19.69" (500)	5.12" (130)
059.03001.00-A	30	Knock-Out Shielded Screw Type-M5	NPT Threaded Pipe- wire exit	4.72" (120)	19.69" (500)	5.12" (130)
059.03002.00-B	30	Knock-Out Shielded Screw Type-M5	NPT Threaded Pipe- wire exit	4.72" (120)	19.69" (500)	5.12" (130)
059.03003.00-C	30	Knock-Out Shielded Screw Type-M5	NPT Threaded Pipe- wire exit	5.51" (140)	27.16" (690)	5.12" (130)
059.05001.00-A	50	Knock-Out Shielded Screw Type-M5	NPT Threaded Pipe- wire exit	5.51" (140)	27.16" (690)	5.12" (130)
059.05002.00-B	50	Knock-Out Shielded Screw Type-M5	NPT Threaded Pipe- wire exit	5.51" (140)	27.16" (690)	5.12" (130)
059.05003.00-C	50	Knock-Out Shielded Screw Type-M5	NPT Threaded Pipe- wire exit	5.51" (140)	27.16" (690)	5.12" (130)

***CONTACT FACTORY FOR TYPICAL INSERTION LOSS, dB**

059

MRI ROOM AND SHIELDED ENCLOSURE FILTERS

059 MECHANICAL OUTLINES” (MM)



SERIES	(A)	B	C	D	E
A(1 LINE) (1/5/10/15A)	12.01"(305)	1.97"(50)	2.52"(64)	2.00"(51)	4.00"(102)
A(1 LINE) (30A)	12.01"(305)	1.97"(50)	2.52"(64)	2.00"(51)	4.00"(102)
A(1 LINE) (50A)	12.01"(305)	1.97"(50)	2.52"(64)	2.00"(51)	4.00"(102)
B(2 LINE) (1/5/10/15A)	12.01"(305)	3.50"(89)	2.52"(64)	2.00"(51)	4.00"(102)
B(2 LINE) (30A)	13.78"(350)	4.02"(102)	2.99"(76)	2.00"(51)	4.00"(102)
B(2 LINE) (50A)	13.78"(350)	5.00"(127)	2.99"(76)	2.00"(51)	4.00"(102)
C(3 LINE) (1/5/10A)	12.01"(305)	5.00"(127)	2.52"(64)	2.00"(51)	4.00"(102)
C(3 LINE) (15A)	13.78"(350)	5.00"(127)	2.99"(76)	2.00"(51)	4.00"(102)
C(3 LINE) (30A)	13.78"(350)	5.98"(152)	2.99"(76)	2.00"(51)	4.00"(102)
C(31 LINE) (50A)	13.78"(350)	6.77"(172)	2.99"(76)	2.00"(51)	4.00"(102)

TYPICAL TOLERANCE: +/- 0.02" (0.50MM)