

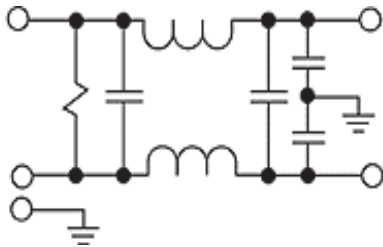
LF

HIGH PERFORMANCE LOW LEAKAGE SWITCH MODE EMI FILTER

FEATURES

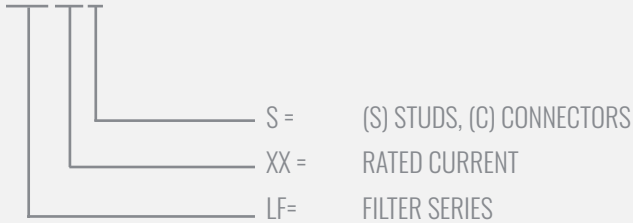
- » **Rated currents** include **2A, 3A, 5A, 7.5A, 10A, 15A, 20A and 40A**
- » Multi-Stage Line Filter
- » Available with **QD** (tabs), **S** (studs) and **C** (connectors) option
- » Low Profile & IEC Connector
- » Agency Approvals UL E78081, CSA LR53652 and TUV
- » Y-cap value can be adjusted to fit specification

ELECTRICAL SCHEMATIC



HOW TO ORDER

LF XX S



NOTE: USE ANY COMBINATION OF -X (AMPS) WITH ANY -Y RATINGS
E.G. **LF3 S**(3 AMPS, STUDS)



SPECIFICATIONS

OPERATING FREQUENCY 50/60Hz
MAX. OPERATING VOLTAGE 250VAC +10%
TERMINALS (-T) QD: 0.25 TABS
STUDS: 8-32 (3-20A)

TYP. WEIGHT, LBS (KG) 0.26 - 2.1 (0.11 - 0.95)

LEAKAGE CURRENT

@ 250 VAC 60 Hz 0 - 1.6 mA Max.

HIPOT RATINGS

LINE TO GROUND 2200 VDC - 2700 VDC

TYPICAL APPLICATIONS

- ✓ Household Appliances
- ✓ Industrial Equipment
- ✓ Power Supplies
- ✓ Consumer Electronics
- ✓ Office Automation Equipment
- ✓ Data Processing Systems

LF

HIGH PERFORMANCE LOW LEAKAGE SWITCH MODE EMI FILTER

| MODEL NO. | RATED CURRENT (A) @ 40° C | Y-CAP, nF | LEAKAGE CURRENT, mA @ 250V AC, 60 Hz | TERMINAL OPTIONS | | | MAX. DIMENSIONS" (MM) | | |
|-----------|---------------------------|-----------|--------------------------------------|------------------|------------------|------------------|-----------------------|----------|--------|
| | | | | (QD)INPUT/OUTPUT | (S) INPUT/OUTPUT | (C) INPUT/OUTPUT | WIDTH | (LENGTH) | HEIGHT |
| LF2C | 2 | 2x.0033µF | .45 | | | ✓ | 2.03" | 3.1" | 1.18" |
| LF2 | 2 | 2x.0033µF | .45 | ✓ | | | 1.78" | 3.04" | 0.87" |
| LF3C | 3 | 2x.0033µF | .45 | | | ✓ | 2.03" | 3.1" | 1.5" |
| LF3 | 3 | 2x.0033µF | .45 | ✓ | | | 2.03" | 3.2" | 1.25" |
| LF3 S | 3 | 2x.0033µF | .45 | | ✓ | | 2.03" | 3.26" | 1.25" |
| LF3BC S | 3 | 2x.0068µF | .9 | | | ✓ | * | * | * |
| LF5C | 5 | 2x.0033µF | .45 | | | ✓ | 2.03" | 3.1" | 1.5" |
| LF5 | 5 | 2x.0033µF | .45 | ✓ | | | 2.03" | 3.7" | 1.5" |
| LF5B | 5 | 2x.0068µF | .9 | ✓ | | | 2.03" | 3.7" | 1.5" |
| LF5B | 5 | 2x.0068µF | .9 | ✓ | | | 2.03" | 3.7" | 1.5" |
| LF7C | 7.5 | 2x.0033µF | .45 | | | ✓ | 2.15" | 3.47" | 1.75" |
| LF7 | 7.5 | 2x.0033µF | .45 | ✓ | | | 2.03" | 3.7" | 1.5" |
| LF7 S | 7.5 | 2x.0033µF | .45 | | ✓ | | 2.03" | 3.76" | 1.5" |
| LF10 | 10 | 2x.0033µF | .45 | ✓ | | | 2.15" | 4.07" | 1.78" |
| LF10B | 10 | 2x.0068µF | .9 | ✓ | | | 2.15" | 4.07" | 1.78" |
| LF10B S03 | 10 | * | .45 | | ✓ | | * | * | * |
| LF15 | 15 | 2x.0033µF | .45 | ✓ | | | 2.91" | 4.26" | 2" |
| LF15 S | 15 | 2x.0033µF | .45 | | ✓ | | 2.91" | 4.32" | 2" |
| LF15B | 15 | 2x.0068µF | .9 | ✓ | | | 2.91" | 4.26" | 2" |
| LF20 | 20 | 2x.0047µF | .80 | | ✓ | | 4.12" | 5.17" | 1.5" |
| LF20B S02 | 20 | 2x.01µF | 1.60 | | ✓ | | * | * | * |
| LF40 L | 40 | * | 1.4 | * | * | * | * | * | * |

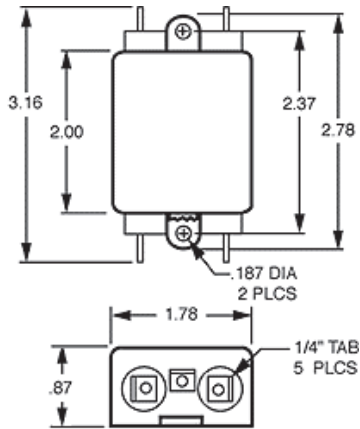
*Contact factory for part data.

LF

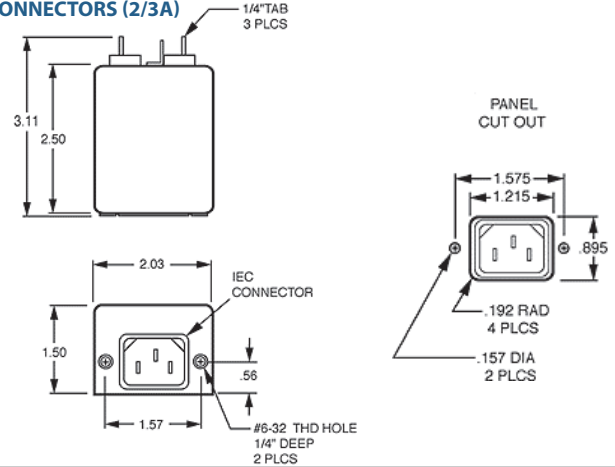
HIGH PERFORMANCE LOW LEAKAGE SWITCH MODE EMI FILTER

LF MECHANICAL OUTLINES (MM)

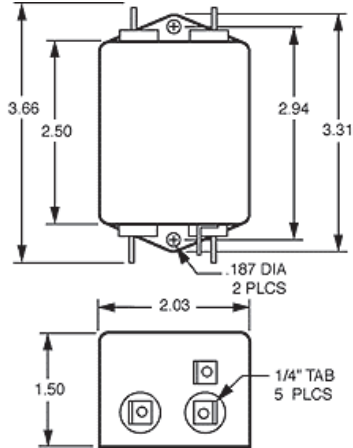
QD TABS (2/3A)



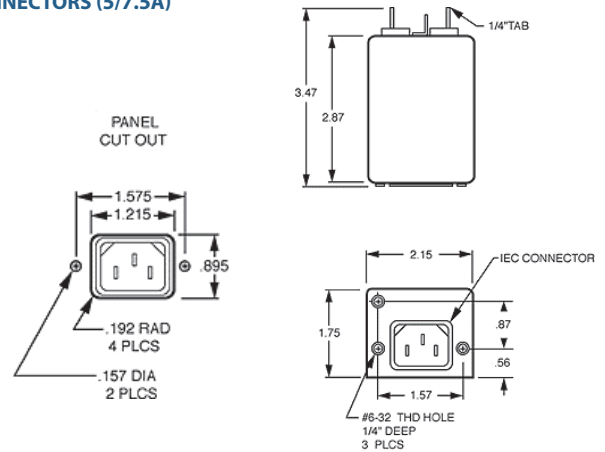
CONNECTORS (2/3A)



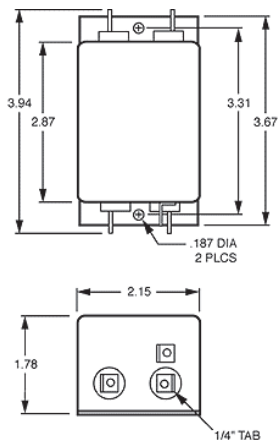
QD TABS (5/7.5A)



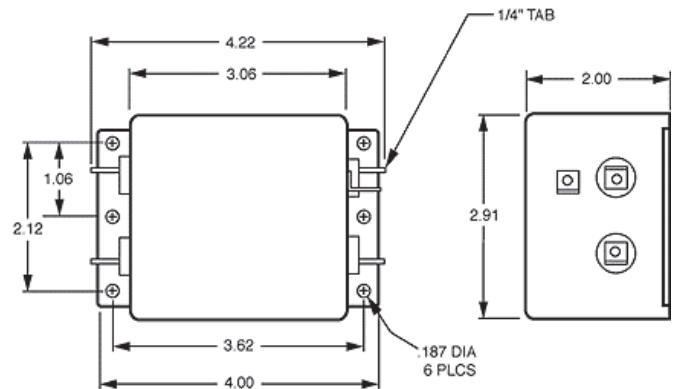
CONNECTORS (5/7.5A)



QD TABS (10A)

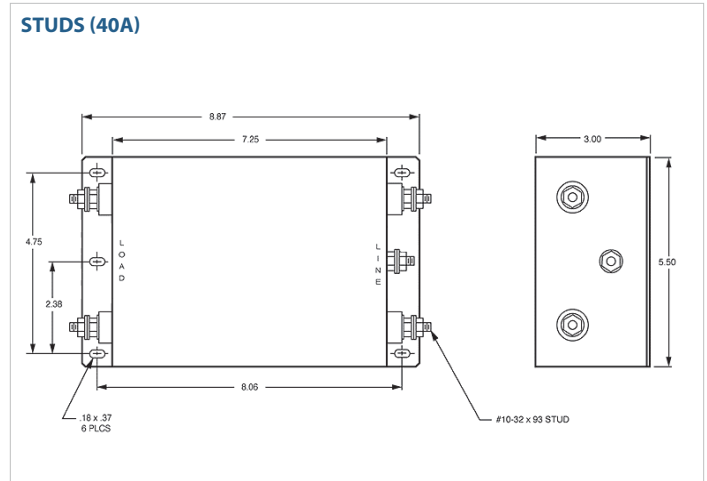
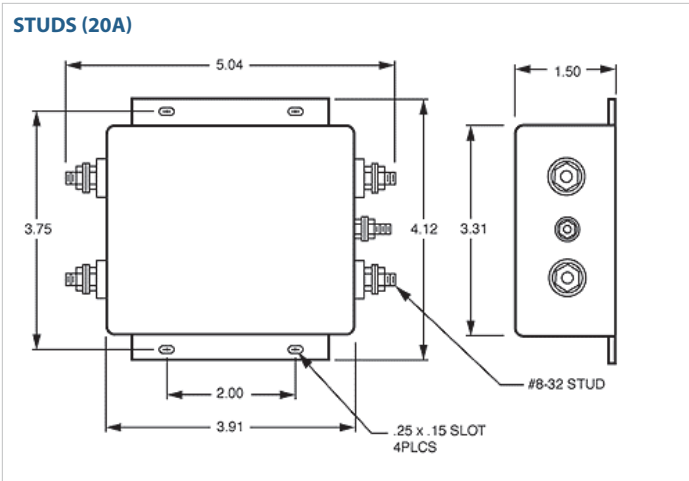


QD TABS (15A)



LF

HIGH PERFORMANCE LOW LEAKAGE SWITCH MODE EMI FILTER



TYPICAL TOLERANCE: +/-0.02" (0.50MM)

TYPICAL INSERTION LOSS, dB (50/50 Ohm)

| Amps | Freq (MHz) | 0.15 | 0.5 | 1.0 | 10 | 30 |
|------|------------|------|-----|-----|----|----|
| 2 | CM (dB) | 32 | 60 | 48 | 66 | 75 |
| | DM (dB) | 30 | 42 | 41 | 53 | 59 |
| 3 | CM (dB) | 32 | 60 | 48 | 66 | 75 |
| | DM (dB) | 30 | 42 | 41 | 53 | 59 |
| 5 | CM (dB) | 34 | 60 | 48 | 66 | 75 |
| | DM (dB) | 30 | 42 | 41 | 53 | 59 |
| 7.5 | CM (dB) | 34 | 60 | 48 | 66 | 75 |
| | DM (dB) | 30 | 42 | 41 | 53 | 59 |
| 10 | CM (dB) | 34 | 60 | 48 | 66 | 75 |
| | DM (dB) | 30 | 42 | 41 | 53 | 59 |
| 15 | CM (dB) | 50 | 60 | 48 | 66 | 75 |
| | DM (dB) | 30 | 42 | 41 | 53 | 59 |
| 20 | CM (dB) | 50 | 60 | 48 | 66 | 75 |
| | DM (dB) | 30 | 42 | 41 | 53 | 59 |
| 40 | CM (dB) | 40 | 60 | 48 | 66 | 75 |
| | DM (dB) | 30 | 42 | 41 | 53 | 59 |