

RP110

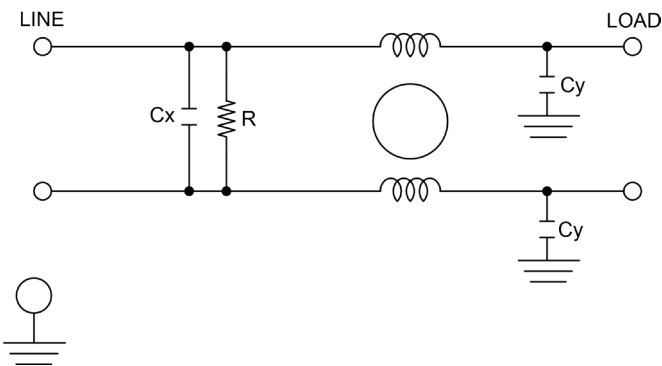
COMPACT SINGLE STAGE POWER LINE FILTERS

FEATURES

- » Rated currents include **3 A, 6A, 10 A, 20A, and 30A**
- » Single Stage Line Filter
- » Available with **QD** tabs or **W** (wireleads) and **S** (studs) option
- » Compact Design
- » Agency Approved to UL1283 / 60929, CSA C22.2, EN 60939
- » Y-cap value can be adjusted to fit specifications



ELECTRICAL SCHEMATIC



SPECIFICATIONS

OPERATING FREQUENCY	50/60Hz
USABLE FREQUENCY	DC - 400 Hz
MAX. OPERATING VOLTAGE	250V +10%
AMBIENT TEMPERATURE	-25 TO 40°C
CLIMATIC CATEGORY	25/100/21
TERMINALS (-T)	QD: 0.25" TABS WIRE LEADS S: 20A & 30A (M4)

TYP. WEIGHT, LBS (KG) 0.4 (0.2)

TYPICAL LEAKAGE CURRENT

@ 250 VAC 50 Hz	0 - 1.57 mA Max.
@ 120 VAC 60 Hz	0 - 0.90 mA Max.

HIPOT RATINGS

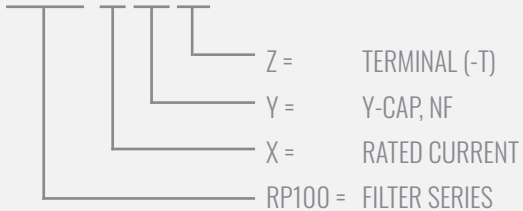
LINE TO GROUND 2700 VDC

TYPICAL APPLICATIONS

- ✓ Household Appliances
- ✓ Industrial Equipment
- ✓ Medical Devices
- ✓ Communication systems
- ✓ Consumer Electronics
- ✓ Office Automation Devices

HOW TO ORDER

RP110- X - Y - Z



NOTE: USE ANY COMBINATION OF -X (AMPS) WITH ANY -Y RATINGS
E.G. **RP110-10-10-QD** (10AMPS WITH 10 NF YCAP)

For **X, Y** and **Z** options see product specification table.

RP110

COMPACT SINGLE STAGE POWER LINE FILTERS

MODEL NO.	RATED CURRENT, A @ 40° C	Y-CAP, nF	LEAKAGE CURRENT, mA @ 250V AC, 50 Hz / @ 120V AC, 60 Hz		TERMINAL OPTIONS			MAX. DIMENSIONS" (MM)		
					(QD) INPUT/ OUTPUT	(W) INPUT/ OUTPUT	(S) INPUT/ OUTPUT	WIDTH	(LENGTH)	HEIGHT
RP110-3-0-QD	3	0	-	-	✓			2.05" (52)	3.54" (90)	1.22" (31)
RP110-3-0-W	3	0	-	-		✓		2.05" (52)	3.35" (85)	1.22" (31)
RP110-3-47-QD	3	0.47	0.07	0.04	✓			2.05" (52)	3.54" (90)	1.22" (31)
RP110-3-47-W	3	0.47	0.07	0.04		✓		2.05" (52)	3.35" (85)	1.22" (31)
RP110-3-1-QD	3	1	0.15	0.09	✓			2.05" (52)	3.54" (90)	1.22" (31)
RP110-3-1-W	3	1	0.15	0.09		✓		2.05" (52)	3.35" (85)	1.22" (31)
RP110-3-2.2-QD	3	2.2	0.34	0.19	✓			2.05" (52)	3.54" (90)	1.22" (31)
RP110-3-2.2-W	3	2.2	0.34	0.19		✓		2.05" (52)	3.35" (85)	1.22" (31)
RP110-3-4.7-QD	3	4.7	0.73	0.42	✓			2.05" (52)	3.54" (90)	1.22" (31)
RP110-3-4.7-W	3	4.7	0.73	0.42		✓		2.05" (52)	3.35" (85)	1.22" (31)
RP110-3-10-QD	3	10	1.57	0.90	✓			2.05" (52)	3.54" (90)	1.22" (31)
RP110-3-10-W	3	10	1.57	0.90		✓		2.05" (52)	3.35" (85)	1.22" (31)
RP110-6-0-QD	6	0	-	-	✓			2.05" (52)	3.54" (90)	1.22" (31)
RP110-6-0-W	6	0	-	-		✓		2.05" (52)	3.35" (85)	1.22" (31)
RP110-6-47-QD	6	0.47	0.07	0.04	✓			2.05" (52)	3.54" (90)	1.22" (31)
RP110-6-47-W	6	0.47	0.07	0.04		✓		2.05" (52)	3.35" (85)	1.22" (31)
RP110-6-1-QD	6	1	0.15	0.09	✓			2.05" (52)	3.54" (90)	1.22" (31)
RP110-6-1-W	6	1	0.15	0.09		✓		2.05" (52)	3.35" (85)	1.22" (31)
RP110-6-2.2-QD	6	2.2	0.34	0.19	✓			2.05" (52)	3.54" (90)	1.22" (31)
RP110-6-2.2-W	6	2.2	0.34	0.19		✓		2.05" (52)	3.35" (85)	1.22" (31)
RP110-6-4.7-QD	6	4.7	0.73	0.42	✓			2.05" (52)	3.54" (90)	1.22" (31)
RP110-6-4.7-W	6	4.7	0.73	0.42		✓		2.05" (52)	3.35" (85)	1.22" (31)
RP110-6-10-QD	6	10	1.57	0.90	✓			2.05" (52)	3.54" (90)	1.22" (31)
RP110-6-10-W	6	10	1.57	0.90		✓		2.05" (52)	3.35" (85)	1.22" (31)
RP110-6-15-QD	6	15	-	-	✓			2.05" (52)	3.54" (90)	1.22" (31)
RP110-10-0-QD	10	0	-	-	✓			2.05" (52)	3.54" (90)	1.22" (31)
RP110-10-0-W	10	0	-	-		✓		2.05" (52)	3.35" (85)	1.22" (31)
RP110-10-47-QD	10	0.47	0.07	0.04	✓			2.05" (52)	3.54" (90)	1.22" (31)
RP110-10-47-W	10	0.47	0.07	0.04		✓		2.05" (52)	3.35" (85)	1.22" (31)
RP110-10-1-QD	10	1	0.15	0.09	✓			2.05" (52)	3.54" (90)	1.22" (31)
RP110-10-1-W	10	1	0.15	0.09		✓		2.05" (52)	3.35" (85)	1.22" (31)
RP110-10-2.2-QD	10	2.2	0.34	0.19	✓			2.05" (52)	3.54" (90)	1.22" (31)
RP110-10-2.2-W	10	2.2	0.34	0.19		✓		2.05" (52)	3.35" (85)	1.22" (31)
RP110-10-4.7-QD	10	4.7	0.73	0.42	✓			2.05" (52)	3.54" (90)	1.22" (31)

ADDITIONAL MODEL NO. >>

RP110

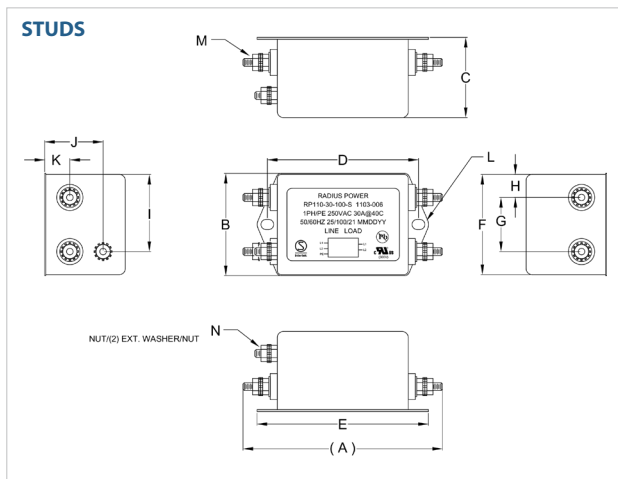
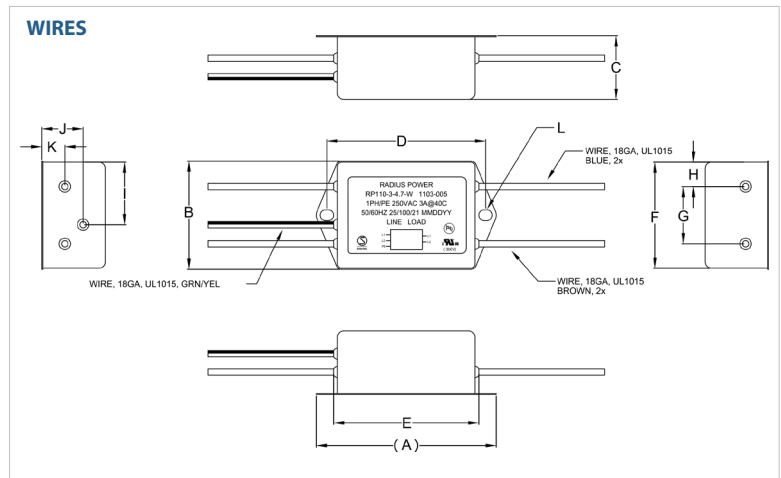
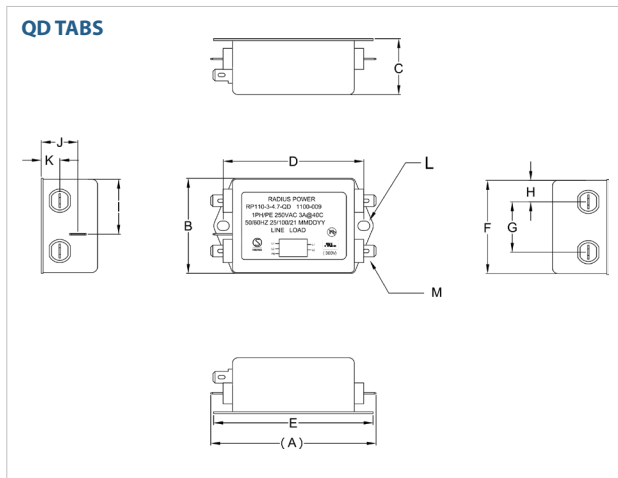
COMPACT SINGLE STAGE POWER LINE FILTERS

MODEL NO.	RATED CURRENT, A @ 40° C	Y-CAP, nF	LEAKAGE CURRENT, mA @ 250V AC, 50 Hz / @ 120V AC, 60 Hz		TERMINAL OPTIONS			MAX. DIMENSIONS" (MM)		
					(QD) INPUT/ OUTPUT	(W) INPUT/ OUTPUT	(S) INPUT/ OUTPUT	WIDTH	(LENGTH)	HEIGHT
RP110-10-4.7-W	10	4.7	0.73	0.42		✓		2.05" (52)	3.35" (85)	1.22" (31)
RP110-10-10-QD	10	10	1.57	0.90	✓			2.05" (52)	3.54" (90)	1.22" (31)
RP110-10-10-W	10	10	1.57	0.90		✓		2.05" (52)	3.35" (85)	1.22" (31)
RP110-20-0-QD	20	0	-	-	✓			2.05" (52)	3.54" (90)	1.22" (31)
RP110-20-0-S	20	0	-	-			✓	2.05" (52)	3.94" (100)	1.61" (41)
RP110-20-0-W	20	0	-	-		✓		2.05" (52)	3.35" (85)	1.22" (31)
RP110-20-47-QD	20	0.47	0.07	0.04	✓			2.05" (52)	3.54" (90)	1.22" (31)
RP110-20-47-S	20	0.47	0.07	0.04			✓	2.05" (52)	3.94" (100)	1.61" (41)
RP110-20-47-W	20	0.47	0.07	0.04		✓		2.05" (52)	3.35" (85)	1.22" (31)
RP110-20-1-QD	20	1	0.15	0.09	✓			2.05" (52)	3.54" (90)	1.22" (31)
RP110-20-1-S	20	1	0.15	0.09			✓	2.05" (52)	3.94" (100)	1.61" (41)
RP110-20-1-W	20	1	0.15	0.09		✓		2.05" (52)	3.35" (85)	1.22" (31)
RP110-20-2.2-QD	20	2.2	0.34	0.19	✓			2.05" (52)	3.54" (90)	1.22" (31)
RP110-20-2.2-S	20	2.2	0.34	0.19			✓	2.05" (52)	3.94" (100)	1.61" (41)
RP110-20-2.2-W	20	2.2	0.34	0.19		✓		2.05" (52)	3.35" (85)	1.22" (31)
RP110-20-4.7-QD	20	4.7	0.73	0.42	✓			2.05" (52)	3.54" (90)	1.22" (31)
RP110-20-4.7-S	20	4.7	0.73	0.42			✓	2.05" (52)	3.94" (100)	1.61" (41)
RP110-20-4.7-W	20	4.7	0.73	0.42		✓		2.05" (52)	3.35" (85)	1.22" (31)
RP110-20-10-QD	20	10	1.57	0.90	✓			2.05" (52)	3.54" (90)	1.22" (31)
RP110-20-10-S	20	10	1.57	0.90			✓	2.05" (52)	3.94" (100)	1.61" (41)
RP110-20-10-W	20	10	1.57	0.90		✓		2.05" (52)	3.35" (85)	1.22" (31)
RP110-30-0-S	30	0	-	-			✓	2.05" (52)	3.94" (100)	1.61" (41)
RP110-30-0-W	30	0	-	-		✓		2.05" (52)	3.35" (85)	1.22" (31)
RP110-30-47-S	30	0.47	0.07	0.04			✓	2.05" (52)	3.94" (100)	1.61" (41)
RP110-30-47-W	30	0.47	0.07	0.04		✓		2.05" (52)	3.35" (85)	1.22" (31)
RP110-30-1-S	30	1	0.15	0.09			✓	2.05" (52)	3.94" (100)	1.61" (41)
RP110-30-1-W	30	1	0.15	0.09		✓		2.05" (52)	3.35" (85)	1.22" (31)
RP110-30-2.2-S	30	2.2	0.34	0.19			✓	2.05" (52)	3.94" (100)	1.61" (41)
RP110-30-2.2-W	30	2.2	0.34	0.19		✓		2.05" (52)	3.35" (85)	1.22" (31)
RP110-30-4.7-S	30	4.7	0.73	0.42			✓	2.05" (52)	3.94" (100)	1.61" (41)
RP110-30-4.7-W	30	4.7	0.73	0.42		✓		2.05" (52)	3.35" (85)	1.22" (31)
RP110-30-10-S	30	10	1.57	0.90			✓	2.05" (52)	3.94" (100)	1.61" (41)
RP110-30-10-W	30	10	1.57	0.90		✓		2.05" (52)	3.35" (85)	1.22" (31)

RP110

COMPACT SINGLE STAGE POWER LINE FILTERS

RP110 MECHANICAL OUTLINES” (MM)



SERIES	(A)	B	C	D	E	F	G	H	I	J	K	L	M	N
QD TABS	3.54" (90)	2.05" (52)	1.22" (31)	2.95" (75)	3.35" (85)	2.01" (51)	1.06" (27)	0.45" (11.5)	1.20" (30.5)	0.77" (19.5)	0.39" (9.9)	Ø 0.25"x5.1, 2x Ø 6.4x5.1, 2x	QD, MALE, 6.35, 5x	N/A
WIRES	3.35" (85)	2.05" (52)	1.22" (31)	2.95" (75)	2.70" (68.5)	2.01" (51)	1.06" (27)	0.45" (11.5)	1.20" (30.5)	0.77" (19.5)	0.43" (10.9)	Ø 0.25"x5.1, 2x Ø 6.4x5.1, 2x	N/A	N/A
STUDS	3.94" (100)	2.05" (52)	1.61" (41)	2.95" (75)	3.35" (85)	2.01" (51)	1.06" (27)	0.45" (11.5)	1.56" (39.5)	1.14" (29)	0.49" (12.5)	Ø 0.25"x5.1, 2x Ø 6.4x5.1, 2x	STUD, M4, 4x	STUD, GND, M4

TYPICAL TOLERANCE: +/-0.02" (0.50MM)

RP110

COMPACT SINGLE STAGE POWER LINE FILTERS

TYPICAL INSERTION LOSS, dB (50/50 Ohm)

Amps	Freq (MHz)	0.15	0.5	1.0	10	30
3	CM (dB)	48	45	40	40	40
	DM (dB)	30	48	60	55	55
6	CM (dB)	40	40	40	40	40
	DM (dB)	28	40	50	70	60
10	CM (dB)	28	40	44	44	34
	DM (dB)	28	40	54	70	66
20	CM (dB)	15	24	30	54	54
	DM (dB)	28	38	50	54	70
30	CM (dB)	13	22	30	52	50
	DM (dB)	20	32	50	55	60