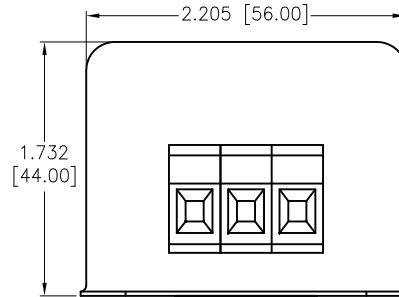
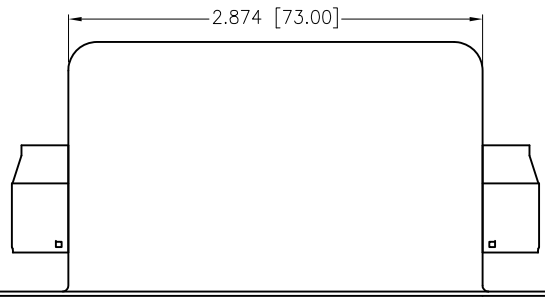
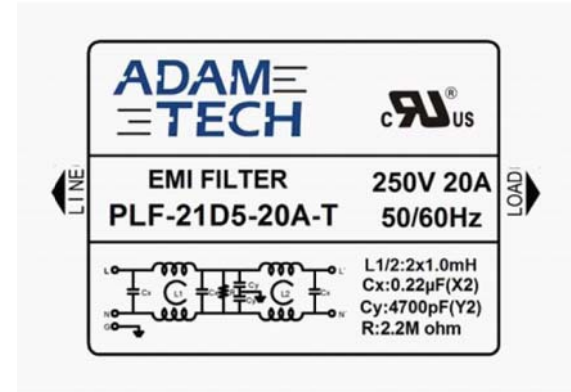
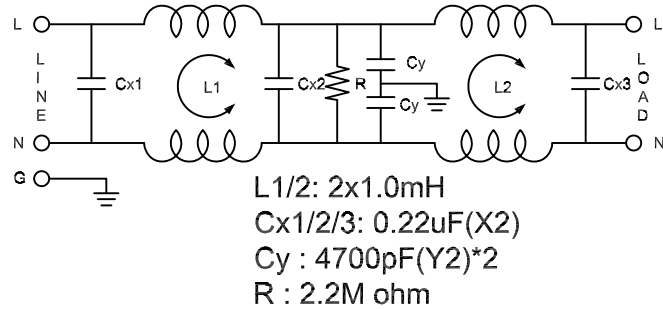
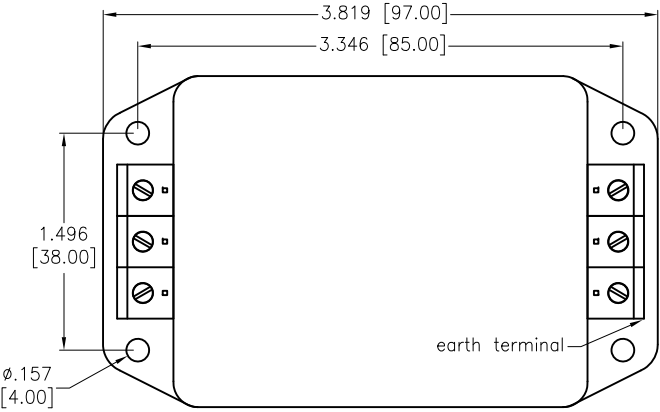


APPROVED: _____
 DATE: _____ TITLE: _____

Rev	AWO #	Description	Date	Appr
-		RELEASED	12/6/21	
A		UPDATE DIM	4/15/22	WX/RC
B		ADDED DRAWING	5/27/22	WX/RC



SPECIFICATIONS:

Electrical:

Voltage rating: 115/250 VAC

Current rating: 115/250 VAC: 20A RMS max

Operating Frequency: 50/60Hz

Leakage Current: Each Line To Ground

@115VAC/60HZ 0.5mA max

@250VAC/50HZ 1.0mA max

Hipot Rating(For 1 Minute)

A. Line to Ground: 2,250 VDC

B. Line to Line: 500 VDC

IR: 50 Mohm @500 VDC Any Input or Output to Ground

Temperature Rating:

-25°C to +85°C

Environmental:

Lead free, RoHS compliant



UNLESS OTHERWISE SPECIFIED ALL DIMENSIONS ARE INCHES [MM]. TOLERANCES: EXCEPT AS NOTED

INCHES		HOLES	
.X	± .10	ØX	± .10
.XX	± .020	ØXX	± .015
.XXX	± .015	ØXXX	± .010



909 Rahway Avenue,
 Union, NJ 07083
 Phone: 908-687-5000
 Fax: 908-687-5710

DRAWN	JJ	12/6/21
CHECKED	RC	12/6/21
APPROVED		

TITLE **EMI/RF POWER FILTER**
MEDIUM OUTLINE, TERMINAL BLOCK MOUNT

THIS DRAWING CONTAINS INFORMATION THAT IS PROPRIETARY AND SHOULD NOT BE USED WITHOUT PRIOR WRITTEN PERMISSION FROM ADAM TECH

SIZE	PART NO.	REV.
X	PLF-21D5-20A-T	B
REF: S00205C	SCALE: NTS	SHEET 1 OF 2

6

5

4

3

2

1

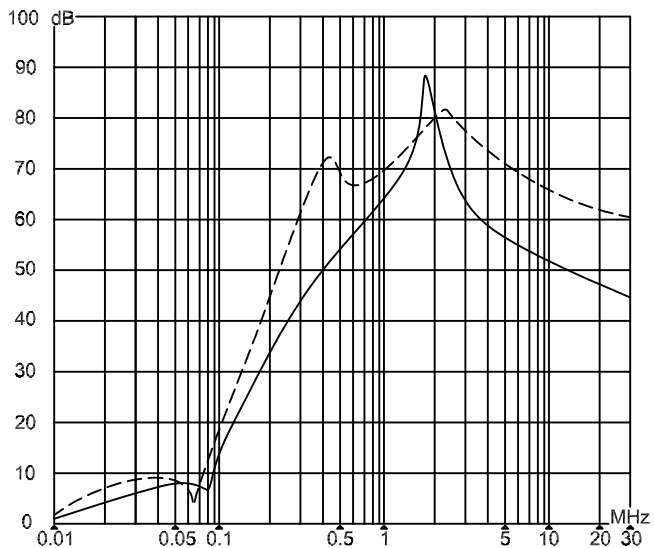
APPROVED: _____

DATE: _____ TITLE: _____

Rev	AWO #	Description	Date	Appr
SEE SHT 1 OF 2 FOR REVISION				

INSERTION LOSS(IN 50 ohm system according IEC/CISPR

————— (common mode)
 - - - - - (differential mode)



UNLESS OTHERWISE SPECIFIED ALL DIMENSIONS ARE INCHES [MM]. TOLERANCES: EXCEPT AS NOTED

INCHES	Holes
.X ± .10	ØX ± .10
.XX ± .020	ØXX ± .015
.XXX ± .015	ØXXX ± .010

DRAWN	JJ	12/6/21
CHECKED	RC	12/6/21
APPROVED		

THIS DRAWING CONTAINS INFORMATION THAT IS PROPRIETARY AND SHOULD NOT BE USED WITHOUT PRIOR WRITTEN PERMISSION FROM ADAM TECH

ADAM TECH 909 Rahway Avenue, Union, NJ 07083
 Phone: 908-687-5000 Fax: 908-687-5710

TITLE	EMI/RF POWER FILTER MEDIUM OUTLINE, TERMINAL BLOCK MOUNT		
SIZE	PART NO.	REV.	
X	PLF-21D5-20A-T	B	
REF: S00205C	SCALE: NTS	SHEET 2 OF 2	

6

5

4

3

2

1