

# DP

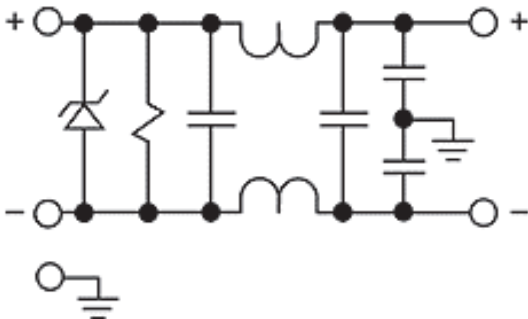
## HIGH PERFORMANCE POLARIZED DC INPUT FILTER

### FEATURES

- » **Rated currents include 5A, 10A, 15A, 20A, 30A, 45A, and 60A**
- » Designed for use as balanced input filters for DC input power
- » Single Stage Line Filter
- » Available with **QD** (tabs) and **S** (studs) option
- » High Performance Design
- » Low Profile & Flange Mount Available

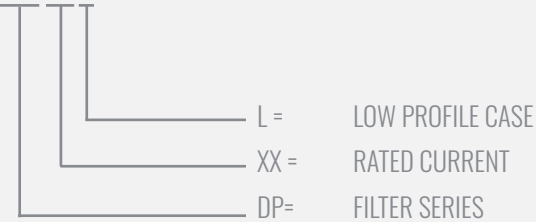


### ELECTRICAL SCHEMATIC



### HOW TO ORDER

DP XX L



**NOTE:** USE ANY COMBINATION OF -X (AMPS)  
E.G. **DP60 L**(60 AMPS, LOW PROFILE CASE)

### SPECIFICATIONS

OPERATING FREQUENCY	50/60Hz, 50/400Hz
MAX. OPERATING VOLTAGE	50VDC +10%
TERMINALS (-T)	QD: 0.25 TABS STUDS: 8-32 (15-30A), 10-32(45A)
TYP. WEIGHT, LBS (KG)	0.20 - 1.63 (0.09 - 0.73)

### LEAKAGE CURRENT

@ 250 VAC 60 Hz Contact Factory

### HIPOT RATINGS

LINE TO GROUND 100 VDC - 500 VDC

### TYPICAL APPLICATIONS

- ✓ High power rectifiers
- ✓ Uninterrupted power supplies
- ✓ Inverters
- ✓ VFD
- ✓ PWM

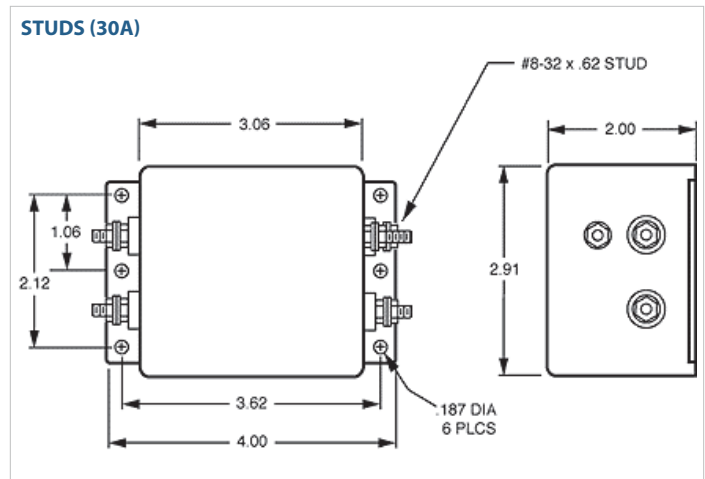
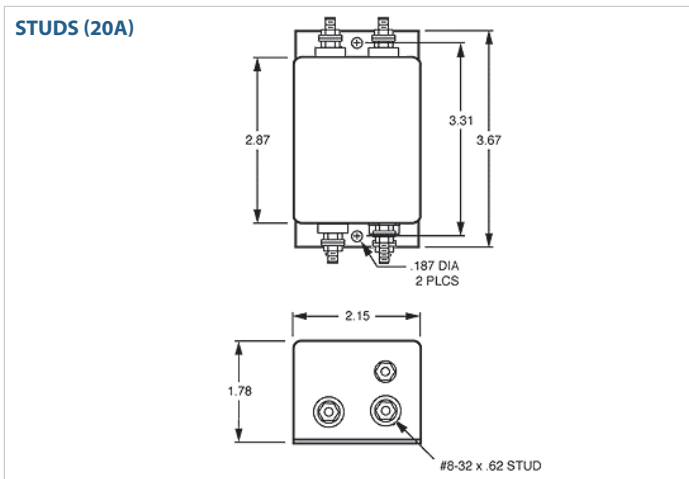
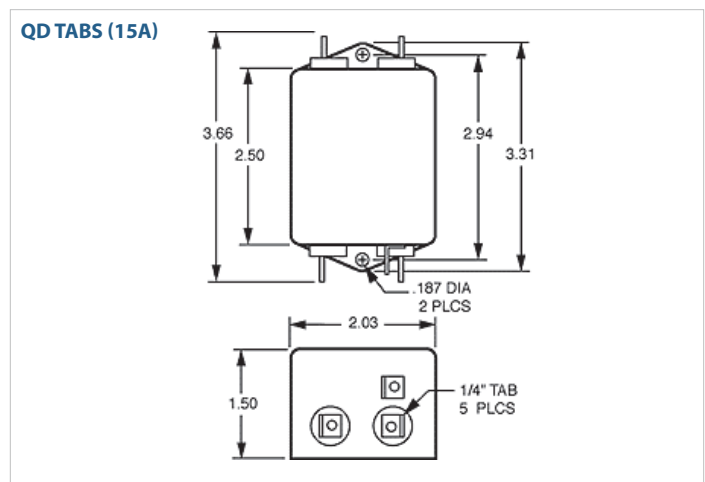
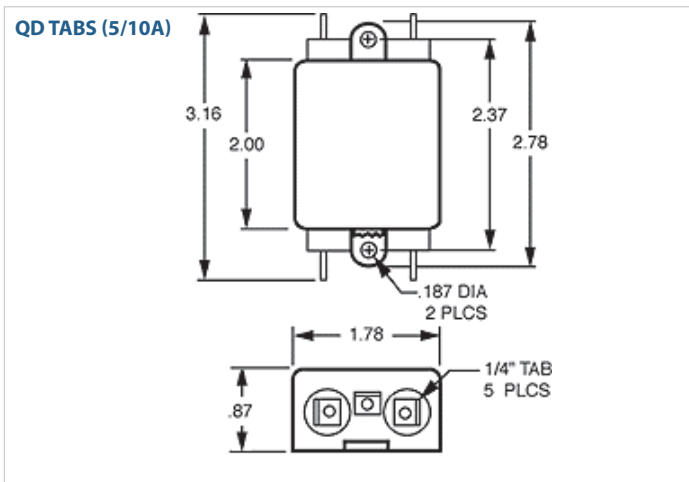
# DP

## HIGH PERFORMANCE POLARIZED DC INPUT FILTER

MODEL NO.	RATED CURRENT (A) @ 40° C	Y-CAP, nF	LEAKAGE CURRENT, mA @ 250V AC, 60 Hz	TERMINAL OPTIONS			MAX. DIMENSIONS" (MM)		
				(QD)INPUT/ OUTPUT	(S) INPUT/ OUTPUT	(C) INPUT/ OUTPUT	WIDTH	(LENGTH)	HEIGHT
DP5	5	2x.15μF	1.8	✓			1.78"	3.04"	0.88"
DP10	10	2x.15μF	1.8	✓			1.78"	3.2"	1.12"
DP15	15	2x.15μF	1.8		✓		2.03"	3.7"	1.5"
DP15 S	15	2x.15μF	1.8		✓		2.03"	3.76"	1.5"
DP20	20	2x.15μF	1.8		✓		2.15"	4.13"	1.78"
DP30	30	2x.15μF	1.8		✓		2.91"	4.32"	2"
DP45 FG	45	2x.15μF	2.4		✓		3"	6.11"	3"
DP45	45	2x.15μF	2.4		✓		3"	5.50"	3"
DP60 L	60	2x.15μF	2.4		✓		4.25"	7.75"	2.25"

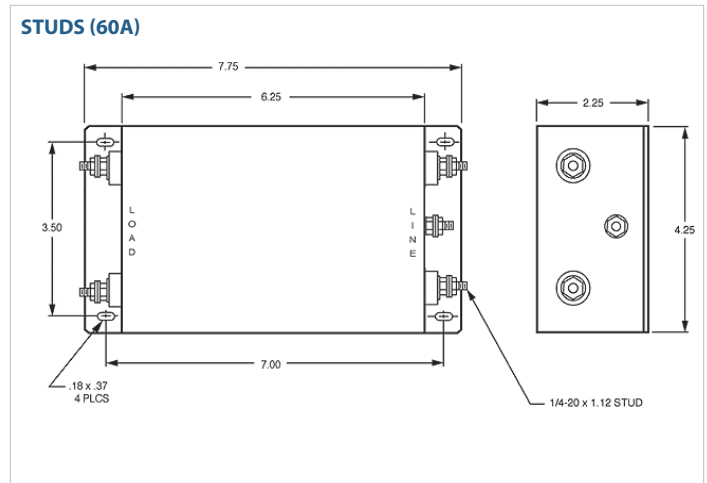
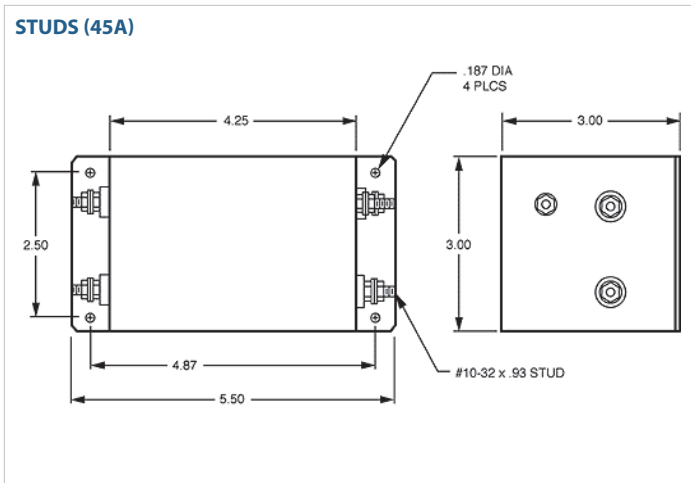
\*Contact factory for part data.

### DP MECHANICAL OUTLINES (MM)



# DP

## HIGH PERFORMANCE POLARIZED DC INPUT FILTER



TYPICAL TOLERANCE: +/-0.02" (0.50MM)

### TYPICAL INSERTION LOSS, dB (50/50 Ohm)

Amps	Freq (MHz)	0.15	0.5	1.0	10	30
5	CM (dB)	60	60	53	54	55
	DM (dB)	40	60	39	47	51
10	CM (dB)	60	60	53	54	55
	DM (dB)	40	60	39	47	51
15	CM (dB)	60	60	53	54	55
	DM (dB)	40	60	39	47	51
20	CM (dB)	60	60	53	54	55
	DM (dB)	40	60	39	47	51
30	CM (dB)	60	60	53	54	55
	DM (dB)	40	60	39	47	51
45	CM (dB)	60	60	53	54	55
	DM (dB)	40	60	39	47	51
60	CM (dB)	60	60	53	54	55
	DM (dB)	30	45	39	47	51