

RP615

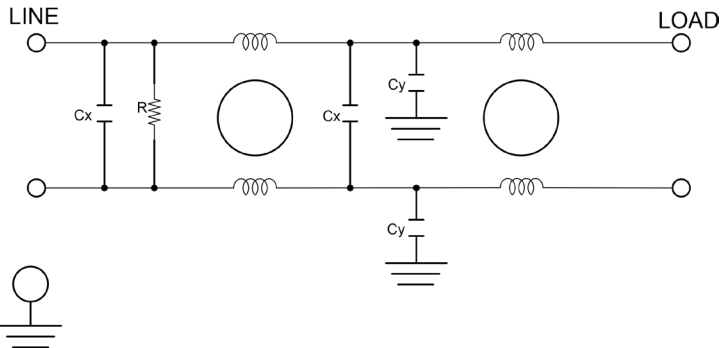
HIGH PERFORMANCE DUAL STAGE DC POWER LINE FILTER

FEATURES

- » Rated currents include **3A, 6A, 10A, and 20A**
- » Dual Stage Line Filter
- » Available with **QD** (tabs), **W** (wires), and **S** (studs) option
- » High Performance Design
- » Agency Approved to UL1283 / 60929, CSA C22.2, EN 60939
- » Y-cap value can be adjusted to fit specification



ELECTRICAL SCHEMATIC



SPECIFICATIONS

MAX. OPERATING VOLTAGE	250V +10%
AMBIENT TEMPERATURE	-25 TO 55°C
CLIMATIC CATEGORY	25/100/21
TERMINALS (-T)	QD TABS: 0.25"
	WIRE LEADS
	STUDS 3-20A (M4)
TYP. WEIGHT, LBS (KG)	0.8 (0.4)

HIPOT RATINGS

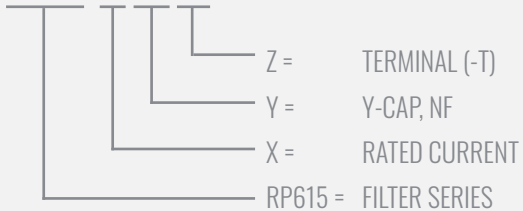
LINE TO GROUND	1800 VDC
-----------------------	----------

TYPICAL APPLICATIONS

- ✓ High power rectifiers
- ✓ Uninterrupted power supplies
- ✓ Inverters
- ✓ VFD
- ✓ PWM

HOW TO ORDER

RP615- X - Y - Z



NOTE: USE ANY COMBINATION OF -X (AMPS) WITH ANY -Y RATINGS
E.G. **RP615-20-1000-S** (20AMPS WITH 1000 NF YCAP)

For **X**, **Y**, and **Z** options see product specification table.

RP615

HIGH PERFORMANCE DUAL STAGE DC POWER LINE FILTER

MODEL NO.	RATED CURRENT, A @ 40° C	Y-CAP, nF	TERMINAL OPTIONS			MAX. DIMENSIONS" (MM)		
			(QD) INPUT/ OUTPUT	(W) INPUT/ OUTPUT	(S) INPUT/ OUTPUT	WIDTH	(LENGTH)	HEIGHT
RP615-3-10-QD	3	10	✓			2.24"(57)	4.56"(116)	1.77"(45)
RP615-3-10-S	3	10			✓	2.24"(57)	5.00"(127)	1.77"(45)
RP615-3-10-W	3	10		✓		*	*	*
RP615-3-100-QD	3	100	✓			2.24"(57)	4.56"(116)	1.77"(45)
RP615-3-100-S	3	100			✓	2.24"(57)	5.00"(127)	1.77"(45)
RP615-3-100-W	3	100		✓		*	*	*
RP615-3-1000-QD	3	1000	✓			2.24"(57)	4.56"(116)	1.77"(45)
RP615-3-1000-S	3	1000			✓	2.24"(57)	5.00"(127)	1.77"(45)
RP615-3-1000-W	3	1000		✓		*	*	*
RP615-6-10-QD	6	10	✓			2.24"(57)	4.56"(116)	1.77"(45)
RP615-6-10-S	6	10			✓	2.24"(57)	5.00"(127)	1.77"(45)
RP615-6-10-W	6	10		✓		*	*	*
RP615-6-100-QD	6	100	✓			2.24"(57)	4.56"(116)	1.77"(45)
RP615-6-100-S	6	100			✓	2.24"(57)	5.00"(127)	1.77"(45)
RP615-6-100-W	6	100		✓		*	*	*
RP615-6-1000-QD	6	1000	✓			2.24"(57)	4.56"(116)	1.77"(45)
RP615-6-1000-S	6	1000			✓	2.24"(57)	5.00"(127)	1.77"(45)
RP615-6-1000-W	6	1000		✓		*	*	*
RP615-10-10-QD	10	10	✓			2.24"(57)	4.56"(116)	1.77"(45)
RP615-10-10-S	10	10			✓	2.24"(57)	5.00"(127)	1.77"(45)
RP615-10-10-W	10	10		✓		*	*	*
RP615-10-100-QD	10	100	✓			2.24"(57)	4.56"(116)	1.77"(45)
RP615-10-100-S	10	100			✓	2.24"(57)	5.00"(127)	1.77"(45)
RP615-10-100-W	10	100		✓		*	*	*
RP615-10-1000-QD	10	1000	✓			2.24"(57)	4.56"(116)	1.77"(45)
RP615-10-1000-S	10	1000			✓	2.24"(57)	5.00"(127)	1.77"(45)
RP615-10-1000-W	10	1000		✓		*	*	*
RP615-20-10-QD	20	10	✓			2.24"(57)	4.61"(117)	1.77"(45)
RP615-20-10-S	20	10			✓	2.24"(57)	5.00"(127)	1.77"(45)
RP615-20-10-W	20	10		✓		*	*	*
RP615-20-100-QD	20	100	✓			2.24"(57)	4.61"(117)	1.77"(45)
RP615-20-100-S	20	100			✓	2.24"(57)	5.00"(127)	1.77"(45)
RP615-20-100-W	20	100		✓		*	*	*
RP615-20-1000-QD	20	1000	✓			2.24"(57)	4.61"(117)	1.77"(45)

ADDITIONAL MODEL NO. >>

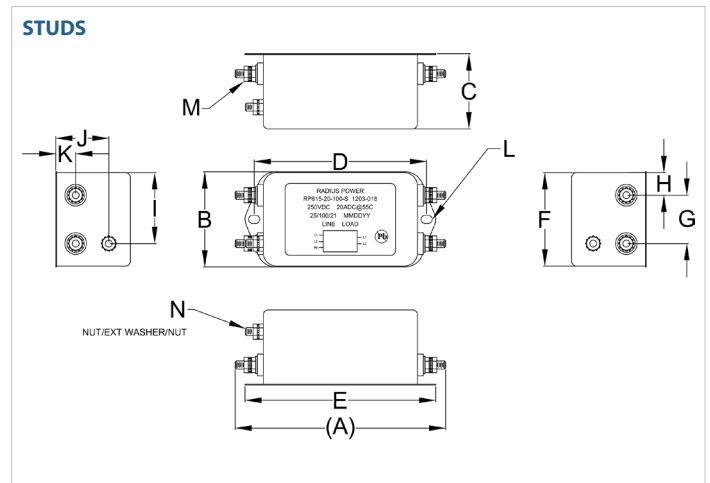
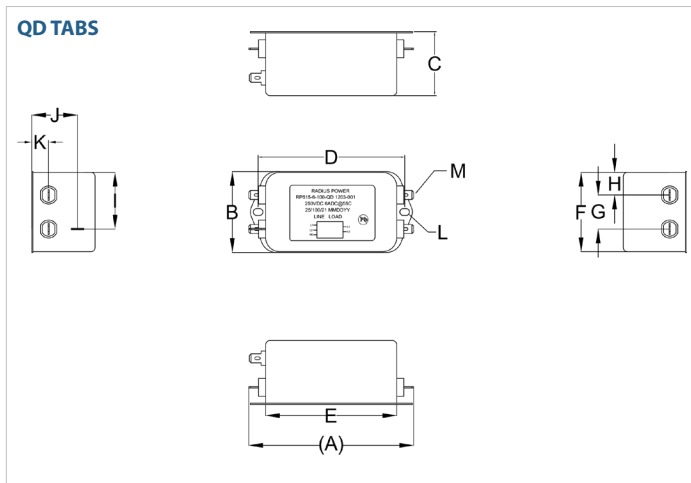
RP615

HIGH PERFORMANCE DUAL STAGE **DC** POWER LINE FILTER

MODEL NO.	RATED CURRENT, A @ 40° C	Y-CAP, nF	TERMINAL OPTIONS			MAX. DIMENSIONS" (MM)		
			(QD) INPUT/OUTPUT	(W) INPUT/OUTPUT	(S) INPUT/OUTPUT	WIDTH	(LENGTH)	HEIGHT
RP615-20-1000-S	20	1000			✓	2.24"(57)	5.00"(127)	1.77"(45)
RP615-20-1000-W	20	1000		✓		*	*	*

*Contact factory for dimensions.

RP615 MECHANICAL OUTLINES (MM)



SERIES	(A)	B	C	D	E	F	G	H	I	J	K	L	M	N
QD TABS (3/6/10A)	4.56" (116)	2.24" (57)	1.77" (45)	4.09" (104)	3.66" (93)	2.20" (56)	0.94" (24)	0.63" (16)	1.57" (40)	1.28" (33)	0.47" (12)	Ø0.26", 2x (Ø 6.80, 2x)	0.25", 5x QD, MALE, 6.35, 5x	N/A
STUDS (20A)	5.00" (127)	2.24" (57)	1.77" (45)	4.09" (104)	4.53" (115)	2.20" (56)	1.14" (29)	0.53" (14)	1.67" (43)	1.26" (32)	0.47" (12)	Ø0.26"X0.18", 2x (Ø 6.8x4.8, 2x)	STUD, M5, 4x	STUD, GND, M5
QDTABS (20A)	4.61" (117)	2.24" (57)	1.77" (45)	4.09" (104)	3.66" (93)	2.20" (56)	0.94" (24)	0.63" (16)	1.57" (40)	1.28" (33)	0.47" (12)	Ø0.26"X0.18", 2x (Ø 6.8x4.8, 2x)	0.25", 5x QD, MALE, 6.35, 5x	N/A

TYPICAL TOLERANCE: +/-0.02" (0.50MM)

RP615

HIGH PERFORMANCE DUAL STAGE DC POWER LINE FILTER

TYPICAL INSERTION LOSS, dB (50/50 Ohm)

Amps	Freq (MHz)	0.15	0.5	1.0	10	30
3	CM (dB)	60	70	70	52	50
	DM (dB)	50	60	68	60	60
6	CM (dB)	60	70	70	52	50
	DM (dB)	50	60	68	60	60
10	CM (dB)	55	70	70	50	50
	DM (dB)	45	60	60	70	65
20	CM (dB)	40	65	70	52	40
	DM (dB)	34	58	60	65	60