

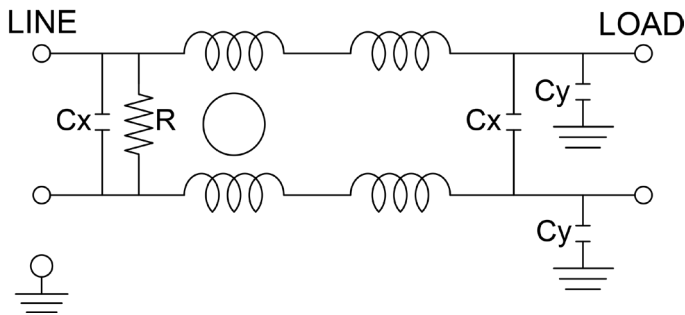
# RPM7000

## MIL/COTS AC, SINGLE PHASE EMI POWER LINE FILTER

### FEATURES

- » Rated currents include **5A, 10A, 20A, 30A, and 50A**
- » Dual Stage Line Filter
- » Available with **S** (studs)
- » Agency Approved to RoHS
- » Y-cap value can be adjusted to fit specification

### ELECTRICAL SCHEMATIC



### HOW TO ORDER

RPM7000 - Y - Z

Z = TERMINAL (-T)  
X = RATED CURRENT

RPM7000=FILTER SERIES

**NOTE:** USE ANY COMBINATION OF -X (AMPS) WITH ANY -Y RATINGS

E.G. **RPM7000-5-S** (5AMPS)

For **X** and **Y** options see product specification table.



### SPECIFICATIONS

OPERATING FREQUENCY	47-400 Hz DC
MAX. OPERATING VOLTAGE*	300 VAC +10%
AMBIENT TEMPERATURE	-40 TO 70°C
CLIMATIC CATEGORY	25/100/21
TERMINALS (-T)	STUDS: 5-30A (M5) 50A (M6)

TYP. WEIGHT, LBS (KG)	0.4 - 3.7(0.2 - 1.8)
-----------------------	----------------------

### TYPICAL LEAKAGE CURRENT

@ 250 VAC 60 Hz	0 - 3.50 mA Max.
-----------------	------------------

### HIPOT RATINGS

LINE TO GROUND	1800 VDC
----------------	----------

### TYPICAL APPLICATIONS

- ✓ Mil-461/ DO-160

### NOTE:

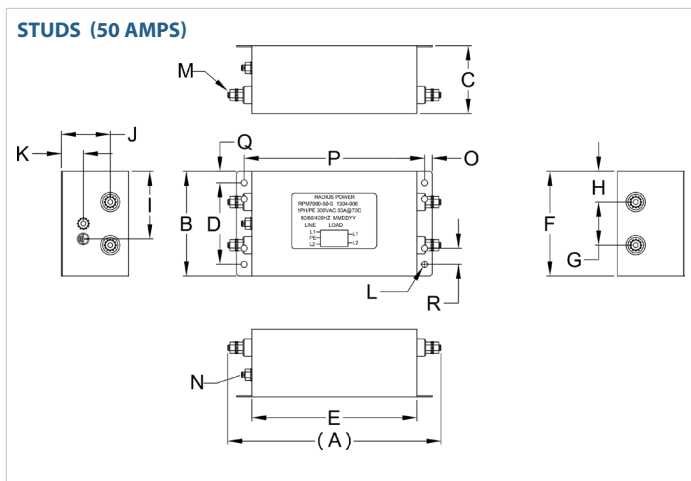
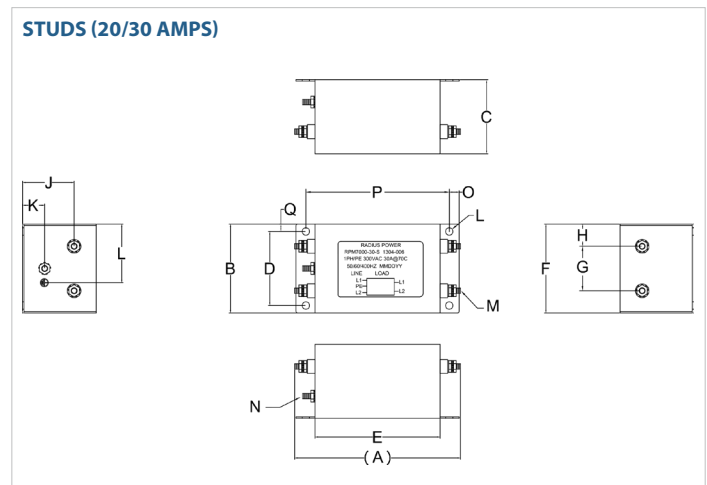
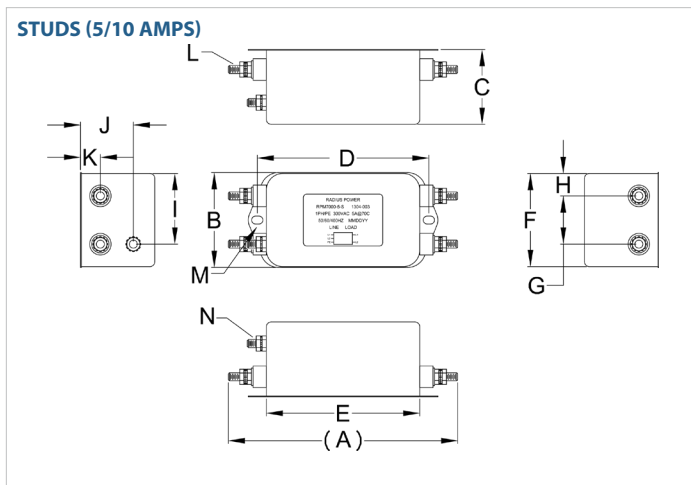
- ✓ Call for other termination types (e.g. Circular Mil-Connectors, etc.) Leakage current is determined by the line to ground capacitors in the filter. The capacitors can be easily varied to match the system leakage requirements.

# RPM7000

## MIL/COTS AC, SINGLE PHASE EMI POWER LINE FILTER

MODEL NO.	RATED CURRENT, A @ 40° C	LEAKAGE CURRENT, mA @ 250V AC, 60 Hz	TERMINAL OPTIONS			MOUNTING FLANGE	MAX. DIMENSIONS" (MM)		
			(W) INPUT/OUTPUT	(S) INPUT/OUTPUT	(C) INPUT/OUTPUT		WIDTH	(LENGTH)	HEIGHT
RPM7000-5-S	5	3.50		✓		✓	2.28"(58)	5.47"(139)	1.81"(46)
RPM7000-10-S	10	3.50		✓		✓	2.28"(58)	5.47"(139)	1.81"(46)
RPM7000-20-S	20	3.50		✓		✓	3.00"(76)	5.63"(143)	2.50"(64)
RPM7000-30-S	30	3.50		✓		✓	3.00"(76)	5.63"(143)	2.50"(64)
RPM7000-50-S 10NF	50	3.50		✓		✓	4.25"(108)	8.72"(221)	2.76"(70)

### RPM7000 MECHANICAL OUTLINES (MM)



# RPM7000

## MIL/COTS AC, SINGLE PHASE EMI POWER LINE FILTER

SERIES	(A)	B	C	D	E	F	G	H	I	J	K	L	M	N	O	P	Q	R
<b>STUDS (5/10A)</b>	5.47" (139)	2.28" (58)	1.81" (46)	4.09" (104)	3.66" (93)	2.24" (57)	1.14" (29)	0.53" (14)	1.67" (43)	1.26" (32)	0.47" (12)	Ø0.26"x0.18", 2x (Ø6.8x4.8, 2x)	STUD, M5, 4x	STUD, GND, M5	N/A	N/A	N/A	0.00"
<b>STUDS (20/30A)</b>	5.63" (143)	3.00" (76)	2.50" (64)	2.50" (64)	4.25" (108)	3.00" (76)	1.50" (38)	0.75" (19)	1.98" (50)	1.75" (44)	0.75" (19)	Ø0.25", 4x (Ø6.35, 4x)	STUD, M5, 4x	STUD, GND, M5	0.34" (9)	4.87" (124)	0.25" (6)	0.00"
<b>STUDS (50A)</b>	8.72" (221)	4.25" (108)	2.76" (70)	3.31" (84)	6.75" (172)	4.25" (108)	1.75" (44)	1.25" (32)	2.75" (70)	2.00" (51)	0.91" (23)	0.25", 8x (Ø6.4, 8x)	STUD, M6, 4x	STUD, GND, M6	0.31" (8)	7.38" (187)	0.47" (12)	1.13" (29)

TYPICAL TOLERANCE: +/-0.02" (0.50MM)

### TYPICAL INSERTION LOSS, dB (50/50 Ohm)

Amps	Freq (MHz)	Insertion Loss (dB)				
		0.15	0.5	1.0	10	30
5	CM (dB)	32	50	50	45	30
	DM (dB)	42	60	60	40	30
10	CM (dB)	32	50	50	45	30
	DM (dB)	42	60	60	40	30
20	CM (dB)	32	50	50	45	30
	DM (dB)	42	60	60	40	30
30	CM (dB)	32	50	50	45	30
	DM (dB)	42	60	60	40	30
50	CM (dB)	32	50	50	45	30
	DM (dB)	42	60	60	40	30