

DT

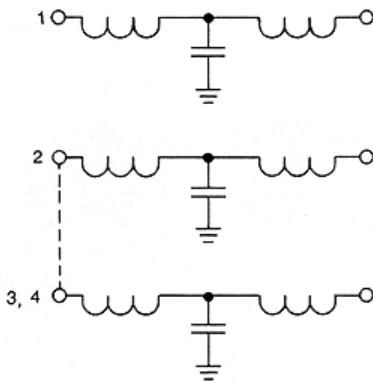
MULTI CHANNEL DC FILTER

FEATURES

- » **Rated currents** include **6A**
- » Provide independent multiple section filters for use with multiple voltage DC power and/or control lines
- » Available with **QD** (tabs) and **S** (studs) option
- » Y-cap value can be adjusted to fit specification

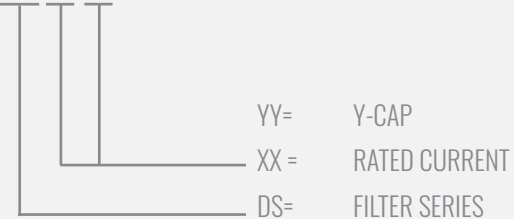


ELECTRICAL SCHEMATIC



HOW TO ORDER

DT XX YY



NOTE: USE ANY COMBINATION OF -X (AMPS) WITH ANY -Y RATINGS
E.G. **DT61**(6 AMPS, 1.0 μ F Y-CAP)

SPECIFICATIONS

MAX. OPERATING VOLTAGE 60VDC +10%
TERMINALS (-T) QD: 0.25 TABS/
STUDS: 8-32 (6A)

TYP. WEIGHT, LBS (KG) 0.62 (0.28)

LEAKAGE CURRENT
@ 250 VAC 60 Hz

HIPOT RATINGS
LINE TO GROUND 200 VDC

TYPICAL APPLICATIONS

- ✓ High power rectifiers
- ✓ Uninterrupted power supplies
- ✓ Inverters
- ✓ VFD
- ✓ PWM

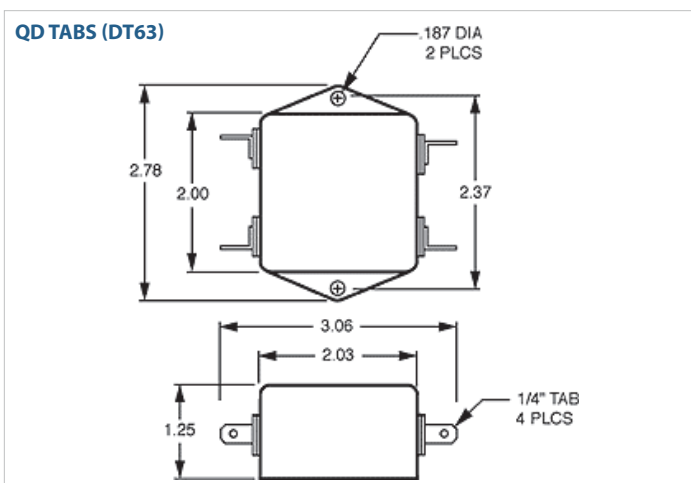
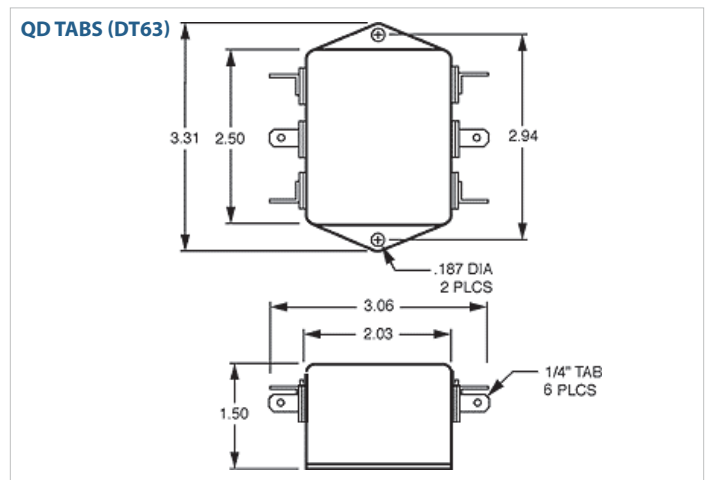
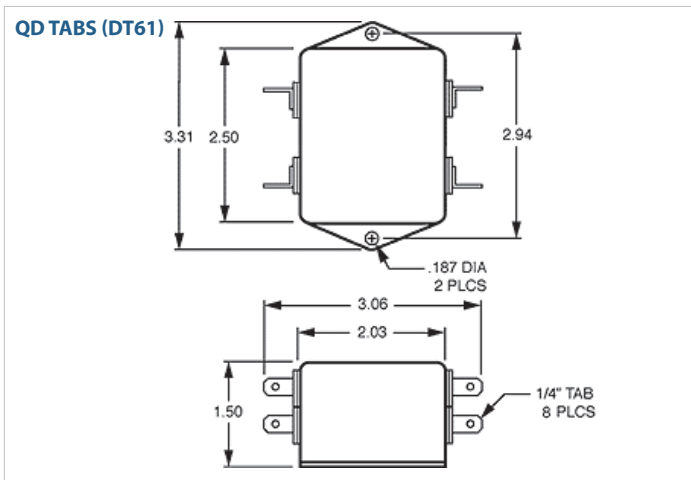
DT

MULTI CHANNEL DC FILTER

| MODEL NO. | RATED CURRENT (A) @ 40° C | Y-CAP, nF | LEAKAGE CURRENT, mA @ 250V AC, 60 Hz | TERMINAL OPTIONS | | | MAX. DIMENSIONS" (MM) | | |
|-----------|---------------------------|-----------|--------------------------------------|--------------------|-------------------|-------------------|-----------------------|----------|--------|
| | | | | (QD) INPUT/ OUTPUT | (S) INPUT/ OUTPUT | (C) INPUT/ OUTPUT | WIDTH | (LENGTH) | HEIGHT |
| DT61 | 6 | 1.0μF | * | ✓ | | | 2.78" | 3.23" | 1.25" |
| DT61 S | 6 | 1.0μF | * | | ✓ | | 2.78" | 3.29" | 1.25" |
| DT62 | 6 | 2x1.0μF | * | ✓ | | | 2.78" | 3.23" | 1.25" |
| DT63 | 6 | 3x1.0μF | * | ✓ | | | 3.31" | 3.23" | 1.5" |
| DT64 | 6 | 4x1.0μF | * | ✓ | | | 3.19" | 3.67" | 1.78" |

*Contact factory for part data.

DT MECHANICAL OUTLINES (MM)



TYPICAL TOLERANCE: +/-0.02" (0.50MM)

DT

MULTI CHANNEL DC FILTER

TYPICAL INSERTION LOSS, dB (50/50 Ohm)

| Amps | Freq (MHz) | 0.15 | 0.5 | 1.0 | 10 | 30 |
|------|------------|------|-----|-----|----|----|
| 6 | CM (dB) | * | * | * | * | * |
| | DM (dB) | 27 | 50 | 46 | 64 | 73 |

*Contact factory for part data.



DT

MULTI CHANNEL DC FILTER