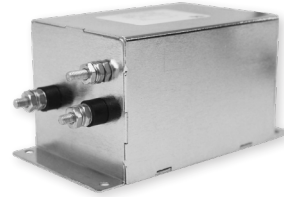


# SE

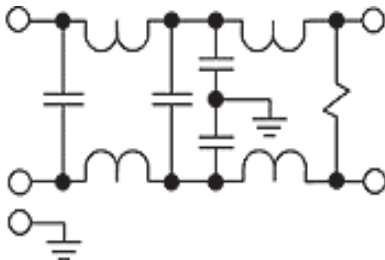
## SWITCH MODE POWER SUPPLY EMI FILTER

### FEATURES

- » Rated currents include **3A, 7.5A, 15A, 20A, 30A, 45A, 50A, and 60A**
- » Single-Phase AC
- » Available with **QD** (tabs), **S** (studs) and **C** (connectors) option
- » Connector & Flange Mount Available
- » Agency Approved to UL E78081, CSA LR53652
- » Y-cap value can be adjusted to fit specification



### ELECTRICAL SCHEMATIC



### SPECIFICATIONS

OPERATING FREQUENCY	50/60Hz
MAX. OPERATING VOLTAGE	250VAC +10%
TERMINALS (-T)	QD: 0.25 TABS STUDS: 8-32 (1-5A), 10-32(10-30A) 1/4-20 (45-60A)
TYP. WEIGHT, LBS (KG)	0.27 - 4.01 (0.12 - 1.81)

### LEAKAGE CURRENT

@ 250 VAC 60 Hz	0 - 1.6 mA Max.
-----------------	-----------------

### HIPOT RATINGS

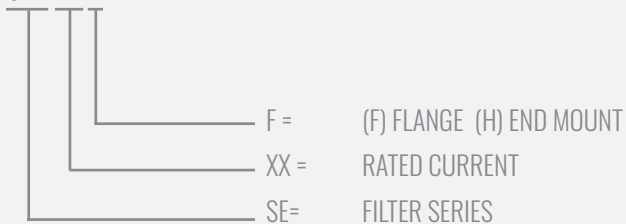
LINE TO GROUND	2200 VDC - 2700 VDC
----------------	---------------------

### TYPICAL APPLICATIONS

- ✓ Switch Mode Power Supplies
- ✓ Household Appliances
- ✓ Industrial Equipment
- ✓ Consumer Electronics
- ✓ Office Automation Equipment
- ✓ Data Processing Systems

### HOW TO ORDER

SE XX F



**NOTE:** USE ANY COMBINATION OF -X (AMPS) WITH ANY -Y RATINGS  
E.G. **SE45 F**(45 AMPS, FLANGE MOUNT)

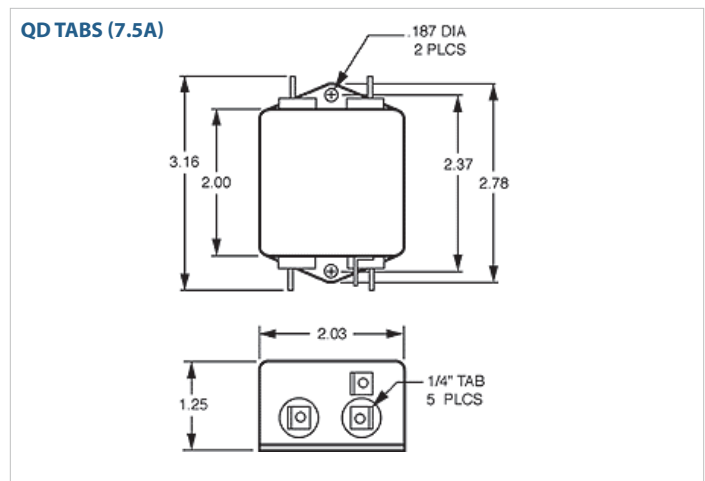
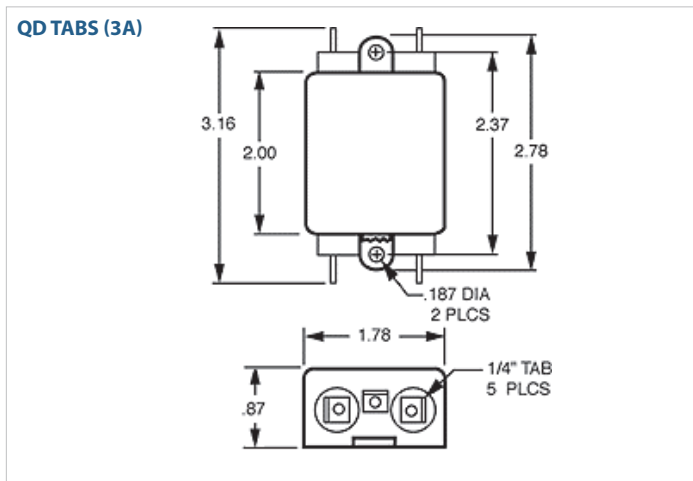
# SE

## SWITCH MODE POWER SUPPLY EMI FILTER

MODEL NO.	RATED CURRENT (A) @ 40° C	Y-CAP, nF	LEAKAGE CURRENT, mA @ 250V AC, 60 Hz	TERMINAL OPTIONS			MAX. DIMENSIONS" (MM)		
				(QD)INPUT/ OUTPUT	(S) INPUT/ OUTPUT	(C) INPUT/ OUTPUT	WIDTH	(LENGTH)	HEIGHT
SE3C	3	2x.0047µF	0.8			✓	*	*	*
SE3	3	2x.0047µF	0.8	✓			1.78"	3.04"	0.87"
SE7C	7.5	2x.0047µF	0.8			✓	*	*	*
SE7	7.5	2x.0047µF	0.8	✓			2.03"	3.2"	1.25"
SE15C	15	2x.0047µF	0.8			✓	2.15"	3.47"	1.75"
SE15	15	2x.0047µF	0.8	✓			2.03"	3.7"	1.5"
SE15 S	15	2x.0047µF	0.8		✓		2.03"	3.76"	1.5"
SE20C	20	2x.0047µF	0.8			✓	*	*	*
SE20	20	2x.0047µF	0.8	✓			2.15"	4.13"	1.78"
SE20	20	2x.0047µF	0.8	✓			2.15"	4.13"	1.78"
SE30	30	2x.01µF	1.4	✓			2.91"	4.32"	2"
SE30 L	30	2x.01µF	1.4	✓			2.91"	4.32"	2"
SE45 F	45	2x.01µF	1.4	✓			3"	6.11"	2.75"
SE45	45	*	1.4				*	*	*
SE50 F	50	2x.01µF	1.4		✓		3"	6.49"	3"
SE50 F	50	2x.01µF	1.4		✓		3"	6.49"	3"
SE50 F	50	2x.01µF	1.4		✓		3"	6.49"	3"
SE50	50	*	1.4	*	*	*	*	*	*
SE60 F	60	2x.01µF	1.6		✓		3"	7.24"	3"
SE60	60	*	1.6	*	*	*	*	*	*

\*Contact factory for part data.

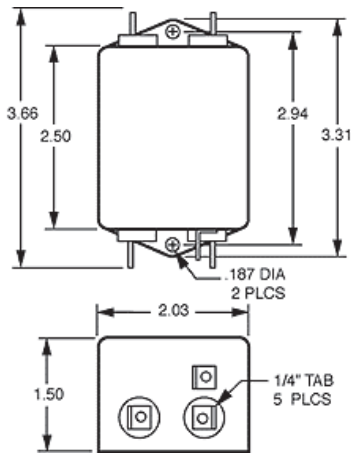
### SE MECHANICAL OUTLINES (MM)



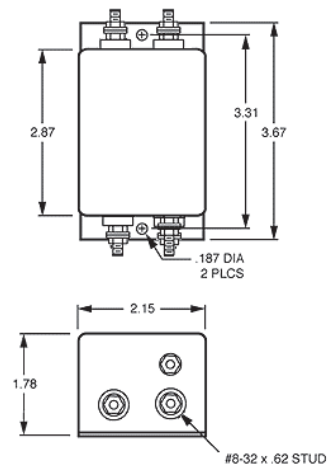
# SE

## SWITCH MODE POWER SUPPLY EMI FILTER

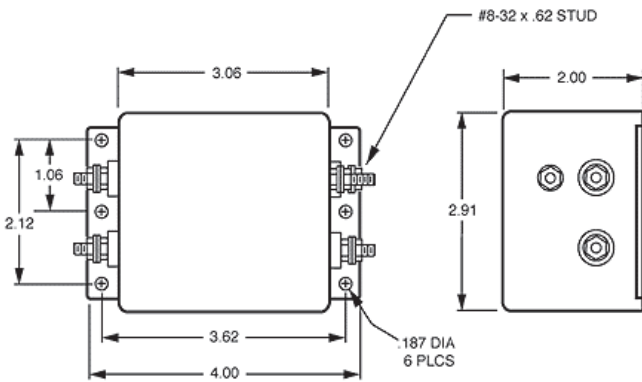
**QD TABS (15A)**



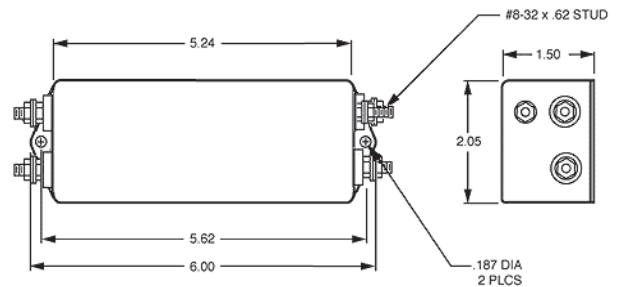
**STUDS (20A)**



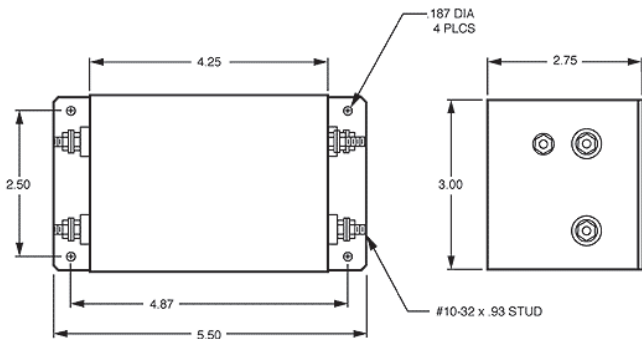
**STUDS (30A)**



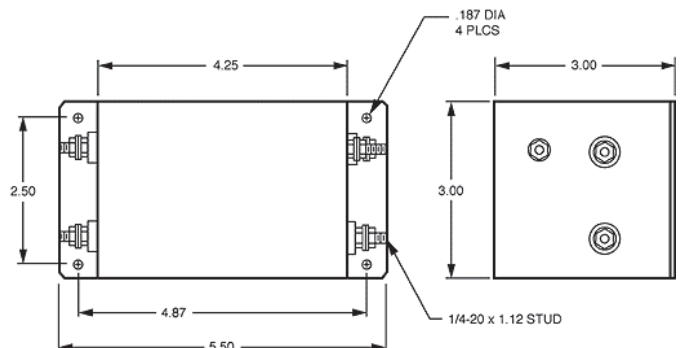
**STUDS (30A) LOW PROFILE**



**STUDS (45A)**

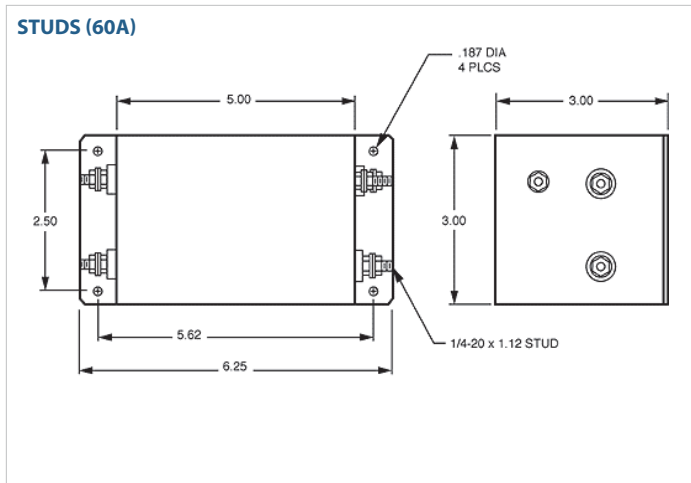


**STUDS (50A) LOW PROFILE**



# SE

## SWITCH MODE POWER SUPPLY EMI FILTER



TYPICAL TOLERANCE: +/-0.02" (0.50MM)

### TYPICAL INSERTION LOSS, dB (50/50 Ohm)

Amps	Freq (MHz)	0.15	0.5	1.0	10	30
<b>3</b>	CM (dB)	15	50	40	59	68
	DM (dB)	15	50	44	66	76
<b>7.5</b>	CM (dB)	15	50	40	59	68
	DM (dB)	15	50	44	66	76
<b>15</b>	CM (dB)	15	50	40	59	68
	DM (dB)	15	50	44	66	76
<b>20</b>	CM (dB)	15	50	40	59	68
	DM (dB)	15	50	44	66	76
<b>30</b>	CM (dB)	15	50	40	59	68
	DM (dB)	15	50	44	66	76
<b>45</b>	CM (dB)	15	50	40	59	68
	DM (dB)	15	50	44	66	76
<b>50</b>	CM (dB)	15	50	40	59	68
	DM (dB)	15	50	44	66	76
<b>60</b>	CM (dB)	15	50	40	59	68
	DM (dB)	15	50	44	66	76