

6

5

4

3

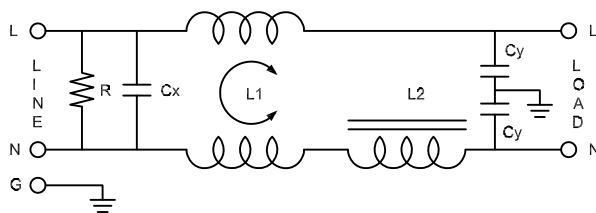
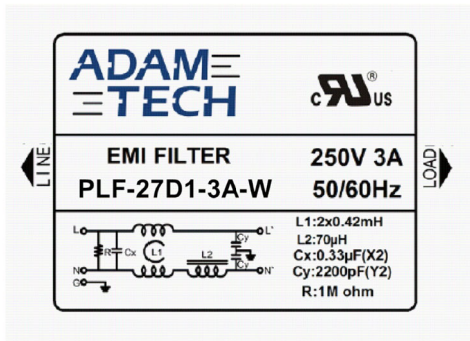
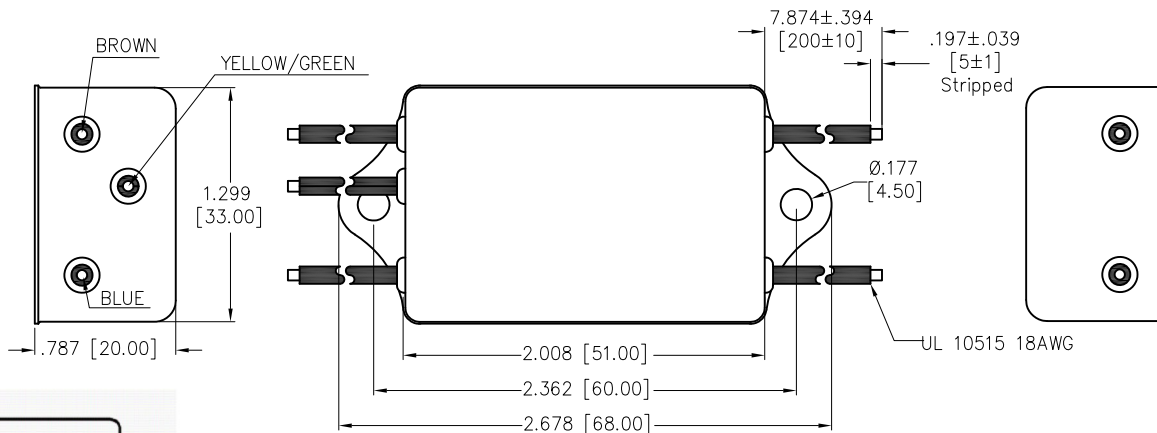
2

1

APPROVED: _____

DATE: _____ TITLE: _____

Rev	AWO #	Description	Date	Appr
-		RELEASED	7/30/21	
A		ADDED DRAWING	5/27/22	LH/RC



L1:2x0.42mH
 L2:70uH
 Cx:0.33uF(X2)
 Cy:2200pF(Y2)*2
 R:1M ohm

SPECIFICATIONS:

Electrical:

Voltage rating: 115/250 VAC

Current rating: 115/250 VAC: 3 A RMS max

Leakage Current: Each Line To Ground
 @115VAC/60HZ 0.3mA max
 @250VAC/50HZ 0.6mA max

Hipot Rating(For 1 Minute)

A. Line to Ground: 2,250 VDC

B. Line to Line: 500 VDC

IR: 50 Mohm @500 VDC Any Input or Output to Ground

Temperature Rating:

-25°C to +85°C

Environmental:

Lead free, RoHS compliant



UNLESS OTHERWISE SPECIFIED ALL DIMENSIONS ARE INCHES [MM]. TOLERANCES: EXCEPT AS NOTED

INCHES		HOLES	
.X	± .10	Ø.X	±.10
.XX	± .020	Ø.XX	±.015
.XXX	± .015	Ø.XXX	±.010



909 Rahway Avenue,
 Union, NJ 07083
 Phone: 908-687-5000
 Fax: 908-687-5710

DRAWN	JJ	7/30/21
CHECKED	RC	7/30/21
APPROVED		

TITLE
 EMI/RF POWER FILTER, METAL CASE,
 WIRE LEADED, CHASSIS MOUNT

THIS DRAWING CONTAINS INFORMATION THAT IS PROPRIETARY AND SHOULD NOT BE USED WITHOUT PRIOR WRITTEN PERMISSION FROM ADAM TECH

SIZE	PART NO.	REV.
X	PLF-27D1-3A-W	-

REF: S00205C SCALE: NTS SHEET 1 OF 2

6

5

4

3

2

1

6 5 4 3 2 1

APPROVED: _____
 DATE: _____ TITLE: _____

Rev	AWO #	Description	Date	Appr
SEE SHT 1 OF 2 FOR REVISION				

INSERTION LOSS(IN 50 ohm system according IEC/CISPR)

_____ (common mode)
 _____ (differential mode)

Frequency (MHz)	Common Mode Loss (dB)	Differential Mode Loss (dB)
0.01	5	5
0.05	15	15
0.1	20	20
0.5	65	40
1	75	50
5	65	45
10	60	48
20	65	50
30	60	52

UNLESS OTHERWISE SPECIFIED ALL DIMENSIONS ARE INCHES [MM]. TOLERANCES: EXCEPT AS NOTED

INCHES		HOLES	
.x	± .10	∅.x	± .10
.xx	± .020	∅.xx	± .015
.xxx	± .015	∅.xxx	± .010

ADAM TECH

909 Rahway Avenue,
 Union, NJ 07083
 Phone: 908-687-5000
 Fax: 908-687-5710

DRAWN	JJ	7/30/21
CHECKED	RC	7/30/21
APPROVED		

TITLE: EMI/RF POWER FILTER, METAL CASE, WIRE LEADED, CHASSIS MOUNT

THIS DRAWING CONTAINS INFORMATION THAT IS PROPRIETARY AND SHOULD NOT BE USED WITHOUT PRIOR WRITTEN PERMISSION FROM ADAM TECH

SIZE X	PART NO. PLF-27D1-3A-W	REV. -
-----------	---------------------------	-----------

REF: S00205C	SCALE: NTS	SHEET 2 OF 2
--------------	------------	--------------

6 5 4 3 2 1