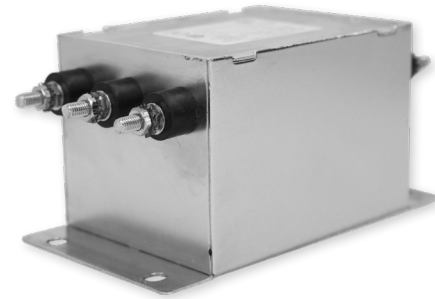


# RP360

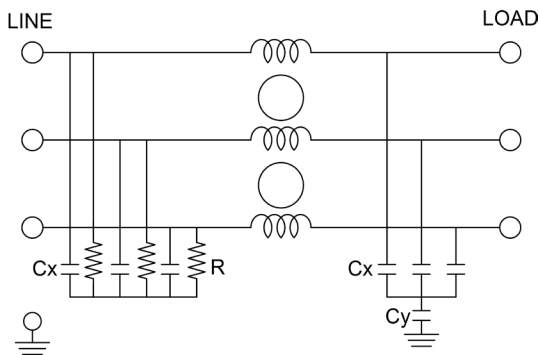
## 3-PHASE DELTA COMPACT SINGLE STAGE POWER LINE FILTER

### FEATURES

- » Rated currents include **20A, 40A, and 60A**
- » Single Stage Line Filter
- » Available with **W** (wires), **S** (studs) and **C** (connectors) option
- » Compact Design
- » Agency Approved to UL1283 / 60929, CSA C22.2, EN 60939
- » Y-cap value can be adjusted to fit specification



### ELECTRICAL SCHEMATIC



### SPECIFICATIONS

OPERATING FREQUENCY	50/60Hz
USABLE FREQUENCY	DC - 400 Hz
MAX. OPERATING VOLTAGE	480 V +10%
AMBIENT TEMPERATURE	-25 TO 50°C
CLIMATIC CATEGORY	25/100/21
TERMINALS (-T)	WIRE LEADS STUDS (M5) CONNECTORS

TYP. WEIGHT, LBS (KG) 3.0 (1.4)

### TYPICAL LEAKAGE CURRENT

@ 480 VAC 60 Hz 0 - 1.0 mA Max.

### HIPOT RATINGS

LINE TO GROUND 3500 VDC

### TYPICAL APPLICATIONS

- ✓ Laser products
- ✓ Industrial automation equipment
- ✓ Industrial Lighting
- ✓ Testing & measurement
- ✓ Ultrasonic cleaners

### HOW TO ORDER

RP360-X-Y-Z



**NOTE:** USE ANY COMBINATION OF -X (AMPS) WITH ANY -Y RATINGS

E.G. **RP360-20-10-S** (20AMPS WITH 10 NF YCAP)

For **X, Y** and **Z** options see product specification table.

# RP360

## 3-PHASE DELTA COMPACT SINGLE STAGE POWER LINE FILTER

MODEL NO.	RATED CURRENT, A @ 40° C	Y-CAP, nF	LEAKAGE CURRENT mA, @ 480V AC/60 Hz	TERMINAL OPTIONS			MAX. DIMENSIONS" (MM)		
				(W) INPUT/ OUTPUT	(S) INPUT/ OUTPUT	(C) INPUT/ OUTPUT	WIDTH	(LENGTH)	HEIGHT
RP360-20-0-S	20	0	-		✓		3.00"(76)	5.97"(152)	2.75"(70)
RP360-20-0-W	20	0	-	✓			*	*	*
RP360-20-10-S	20	10	0.10		✓		3.00"(76)	5.97"(152)	2.75"(70)
RP360-20-10-W	20	10	0.10	✓			*	*	*
RP360-20-100-S	20	100	1.00		✓		3.00"(76)	5.97"(152)	2.75"(70)
RP360-20-100-W	20	100	1.00	✓			*	*	*
RP360-40-0-C	40	0	-			✓	*	*	*
RP360-40-0-S	40	0	-		✓		3.00"(76)	5.97"(152)	2.75"(70)
RP360-40-0-W	40	0	-	✓			*	*	*
RP360-40-10-C	40	10	0.10			✓	*	*	*
RP360-40-10-S	40	10	0.10		✓		3.00"(76)	5.97"(152)	2.75"(70)
RP360-40-10-W	40	10	0.10	✓			*	*	*
RP360-40-100-C	40	100	1.00			✓	*	*	*
RP360-40-100-S	40	100	1.00		✓		3.00"(76)	5.97"(152)	2.75"(70)
RP360-40-100-W	40	100	1.00	✓			*	*	*
RP360-60-0-C	60	0	-			✓	*	*	*
RP360-60-0-S	60	0	-		✓		3.00"(76)	5.97"(152)	2.75"(70)
RP360-60-0-W	60	0	-	✓			*	*	*
RP360-60-10-C	60	10	0.10			✓	*	*	*
RP360-60-10-S	60	10	0.10		✓		3.00"(76)	5.97"(152)	2.75"(70)
RP360-60-10-W	60	10	0.10	✓			*	*	*
RP360-60-100-C	60	100	1.00			✓	*	*	*
RP360-60-100-S	60	100	1.00		✓		3.00"(76)	5.97"(152)	2.75"(70)
RP360-60-100-W	60	100	1.00	✓			*	*	*

\*Contact factory for dimensions.

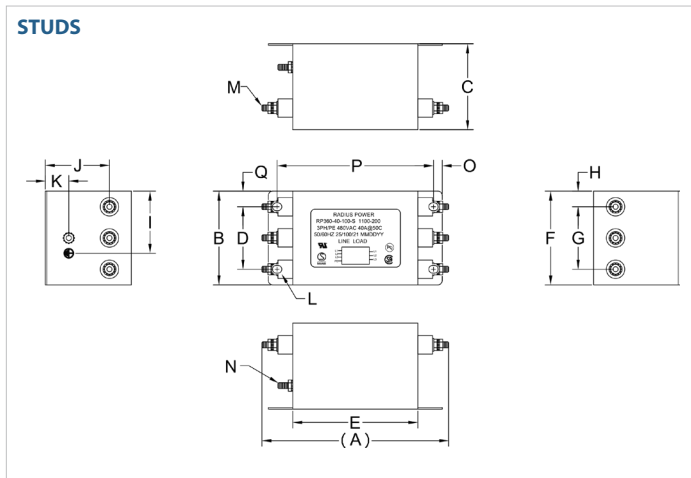
### TYPICAL INSERTION LOSS, dB (50/50 Ohm)

Amps	Freq (MHz)	Insertion Loss (dB)				
		0.15	0.5	1.0	10	30
20	CM (dB)	45	55	55	50	40
	DM (dB)	46	70	70	70	60
40	CM (dB)	36	48	52	50	40
	DM (dB)	40	65	70	65	60
60	CM (dB)	35	48	50	50	42
	DM (dB)	36	58	60	62	55

# RP360

## 3-PHASE **DELTA** COMPACT SINGLE STAGE POWER LINE FILTER

### RP360 MECHANICAL OUTLINES (MM)



SERIES	(A)	B	C	D	E	F	G	H	I	J	K	L	M	N	O	P	Q
<b>STUDS</b> <b>(20/40/60A)</b>	5.97" (152)	3.00" (76)	2.75" (70)	2.00" (51)	4.00" (102)	3.00" (76)	2.00" (51)	0.50" (13)	1.99" (51)	2.05" (52)	0.77" (20)	Ø 0.29x0.25,4x Ø, 7.6x6.4, 4x	STUD, M5, 6x	STUD, GND, M5	0.28" (7)	5.00" (127)	0.50" (13)

TYPICAL TOLERANCE: +/-0.02" (0.50MM)