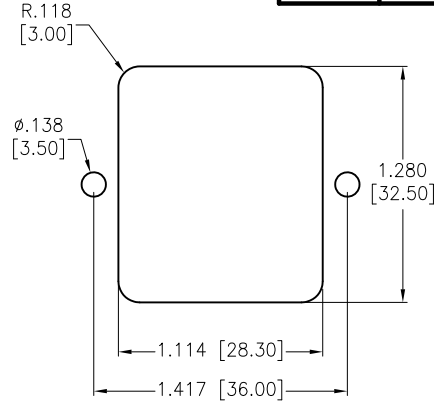
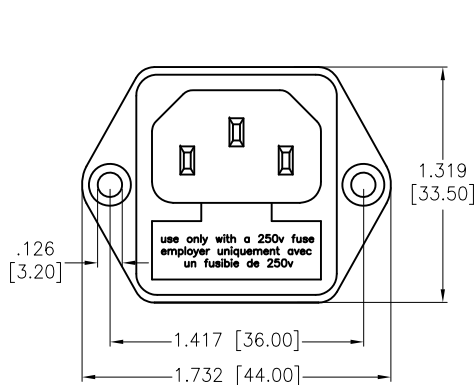
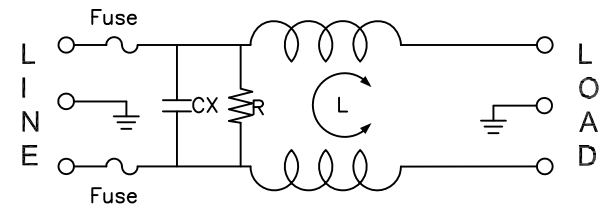
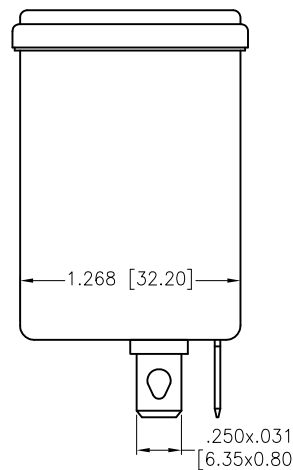
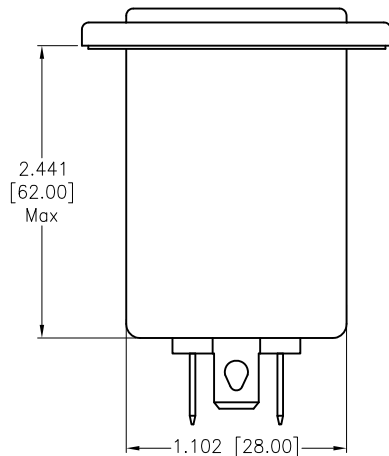
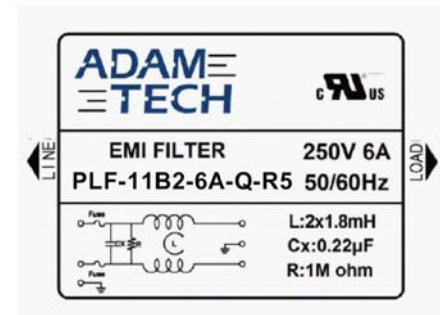


APPROVED: _____
 DATE: _____ TITLE: _____

Rev	AWO #	Description	Date	Appr
-		RELEASED	12/6/21	
A		UPDATE DRAWING	4/15/22	WX/RC
B		ADDED DRAWING	5/27/22	WX/RC



RECOMMENDED PANEL CUT



L: 2x1.8mH
 Cx: 0.22uF(X2)
 R: 1M ohm

SPECIFICATIONS:

Electrical:

Voltage rating: 115/250 VAC

Current rating: 115/250 VAC: 6A RMS max

Leakage Current: Each Line To Ground

@115VAC/60HZ 2.0uA max

@250VAC/50HZ 5.0uA max

Hipot Rating(For 1 Minute)

A. Line to Ground: 2,250 VDC

B. Line to Line: 500 VDC

IR: 50 Mohm @500 VDC Any Input or Output to Ground

Temperature Rating:

-25°C to +85°C

Environmental:

Lead free, RoHS compliant



UNLESS OTHERWISE SPECIFIED ALL DIMENSIONS ARE INCHES [MM]. TOLERANCES: EXCEPT AS NOTED

INCHES		HOLES	
.X	± .10	Ø.X	± .10
.XX	± .020	Ø.XX	± .015
.XXX	± .015	Ø.XXX	± .010

DRAWN	WX	12/6/21
CHECKED	RC	12/6/21
APPROVED		

THIS DRAWING CONTAINS INFORMATION THAT IS PROPRIETARY AND SHOULD NOT BE USED WITHOUT PRIOR WRITTEN PERMISSION FROM ADAM TECH



909 Rahway Avenue,
 Union, NJ 07083
 Phone: 908-687-5000
 Fax: 908-687-5710

TITLE
 EMI/RF POWER FILTER, FUSED INLET SOCKET,
 W/FLANGE MOUNTING

SIZE	PART NO.	REV.
X	PLF-11B2-6A-Q-R5	B

REF: S00205C	SCALE: NTS	SHEET 1 OF 2
--------------	------------	--------------

6

5

4

3

2

1

APPROVED: _____

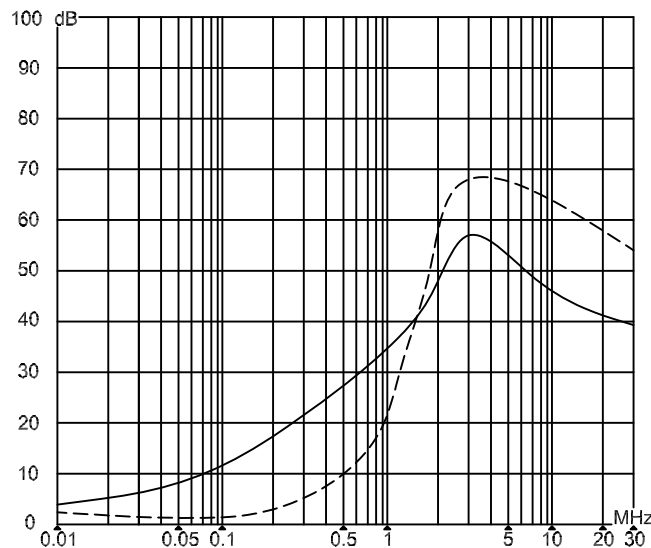
DATE: _____ TITLE: _____

Rev	AWO #	Description	Date	Appr
-----	-------	-------------	------	------

SEE SHT 1 OF 2 FOR REVISION

INSERTION LOSS(IN 50 ohm system according IEC/CISPR

————— (common mode)
 - - - - - (differential mode)



UNLESS OTHERWISE SPECIFIED ALL DIMENSIONS ARE INCHES [MM]. TOLERANCES: EXCEPT AS NOTED

INCHES		HOLES	
.x	± .10	∅x	±.10
.xx	± .020	∅.xx	±.015
.xxx	± .015	∅.xxx	±.010



909 Rahway Avenue,
Union, NJ 07083
Phone: 908-687-5000
Fax: 908-687-5710

DRAWN	WX	12/6/21
CHECKED	RC	12/6/21
APPROVED		

TITLE
EMI/RF POWER FILTER, FUSED INLET SOCKET,
W/FLANGE MOUNTING

THIS DRAWING CONTAINS INFORMATION THAT IS PROPRIETARY AND SHOULD NOT BE USED WITHOUT PRIOR WRITTEN PERMISSION FROM ADAM TECH

SIZE X	PART NO. PLF-11B2-6A-Q-R5	REV. B
-----------	------------------------------	-----------

REF: S00205C	SCALE: NTS	SHEET 2 OF 2
--------------	------------	--------------

6

5

4

3

2

1