

RP100

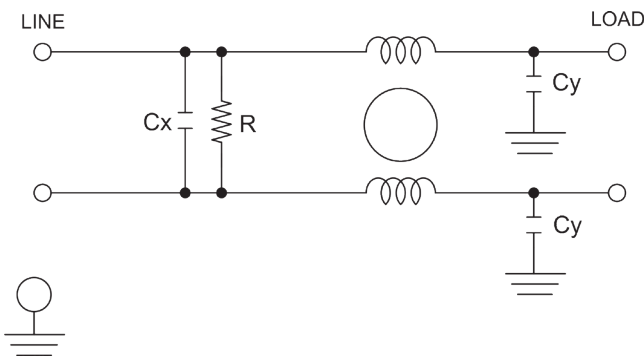
COMPACT SINGLE STAGE POWER LINE FILTERS

FEATURES

- » **Rated currents** include **3 A, 6A and 10 A**
- » Single Stage Line Filter
- » Available with **QD** tabs or **W** (wireleads) option
- » Compact Design
- » Agency Approved to UL1283 / 60929, CSA C22.2, EN60939
- » Y-cap value can be adjusted to fit specifications



ELECTRICAL SCHEMATIC



SPECIFICATIONS

OPERATING FREQUENCY	50/60Hz
USABLE FREQUENCY	DC - 400 Hz
MAX. OPERATING VOLTAGE	250V +10%
AMBIENT TEMPERATURE	-25 TO 40°C
CLIMATIC CATEGORY	25/100/21
TERMINALS (-T)	QD: 0.25" TABS W: WIRE LEADS
TYP. WEIGHT, LBS (KG)	0.3 (0.1)

TYPICAL LEAKAGE CURRENT

@ 250 VAC 50 Hz	0 - 1.57 mA Max.
@ 120 VAC 60 Hz	0 - 0.90 mA Max.

HIPOT RATINGS

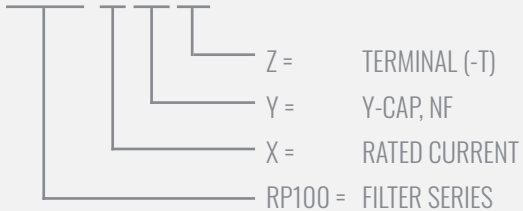
LINE TO GROUND	2700 VDC
----------------	----------

TYPICAL APPLICATIONS

- ✓ Food Service Equipment
- ✓ Industrial and Mechanical Lighting
- ✓ Home Appliances
- ✓ Power Supplies
- ✓ Consumer Electronics

HOW TO ORDER

RP100-X-Y-Z



NOTE: USE ANY COMBINATION OF -X (AMPS) WITH ANY -Y CAP VALUES E.G. **RP100-6-2.2-QD** (6AMPS WITH 2.2 NF YCAP)

For **X, Y** and **Z** options see product specification table.

RP100

COMPACT SINGLE STAGE POWER LINE FILTERS

MODEL NO.	RATED CURRENT, A @ 40° C	Y-CAP, nF	LEAKAGE CURRENT, mA @ 250V AC, 50 Hz / @ 120V AC, 60 Hz		TERMINAL OPTIONS		MAX. DIMENSIONS" (MM)		
					(QD) INPUT/ OUTPUT	(W) INPUT/ OUTPUT	WIDTH	(LENGTH)	HEIGHT
RP100-3-.22-QD	3	0.22	0.03	0.02	✓		2.34" (60)	2.56" (65)	1.02" (26)
RP100-3-.22-W	3	0.22	0.03	0.02		✓	2.34" (60)	2.56" (65)	1.02" (26)
RP100-3-.47-QD	3	0.47	0.07	0.04	✓		2.34" (60)	2.56" (65)	1.02" (26)
RP100-3-.47-W	3	0.47	0.07	0.04		✓	2.34" (60)	2.56" (65)	1.02" (26)
RP100-3-0-QD	3	0	-	-	✓		2.34" (60)	2.56" (65)	1.02" (26)
RP100-3-0-W	3	0	-	-		✓	2.34" (60)	2.56" (65)	1.02" (26)
RP100-3-1-QD	3	1	0.16	0.09	✓		2.34" (60)	2.56" (65)	1.02" (26)
RP100-3-1-W	3	1	0.16	0.09		✓	2.34" (60)	2.56" (65)	1.02" (26)
RP100-3-2.2-QD	3	2.2	0.35	0.20	✓		2.34" (60)	2.56" (65)	1.02" (26)
RP100-3-2.2-W	3	2.2	0.35	0.20		✓	2.34" (60)	2.56" (65)	1.02" (26)
RP100-3-4.7-QD	3	4.7	0.74	0.43	✓		2.34" (60)	2.56" (65)	1.02" (26)
RP100-3-4.7-W	3	4.7	0.74	0.43		✓	2.34" (60)	2.56" (65)	1.02" (26)
RP100-3-10-QD	3	10	1.57	0.90	✓		2.34" (60)	2.56" (65)	1.02" (26)
RP100-3-10-W	3	10	1.57	0.90		✓	2.34" (60)	2.56" (65)	1.02" (26)
RP100-6-.22-QD	6	0.22	0.03	0.02	✓		2.34" (60)	2.56" (65)	1.02" (26)
RP100-6-.22-W	6	0.22	0.03	0.02		✓	2.34" (60)	2.56" (65)	1.02" (26)
RP100-6-.47-QD	6	0.47	0.07	0.04	✓		2.34" (60)	2.56" (65)	1.02" (26)
RP100-6-.47-W	6	0.47	0.07	0.04		✓	2.34" (60)	2.56" (65)	1.02" (26)
RP100-6-0-QD	6	0	-	-	✓		2.34" (60)	2.56" (65)	1.02" (26)
RP100-6-0-W	6	0	-	-		✓	2.34" (60)	2.56" (65)	1.02" (26)
RP100-6-1-QD	6	1	0.16	0.09	✓		2.34" (60)	2.56" (65)	1.02" (26)
RP100-6-1-W	6	1	0.16	0.09		✓	2.34" (60)	2.56" (65)	1.02" (26)
RP100-6-2.2-QD	6	2.2	0.35	0.20	✓		2.34" (60)	2.56" (65)	1.02" (26)
RP100-6-2.2-W	6	2.2	0.35	0.20		✓	2.34" (60)	2.56" (65)	1.02" (26)
RP100-6-4.7-QD	6	4.7	0.74	0.43	✓		2.34" (60)	2.56" (65)	1.02" (26)
RP100-6-4.7-W	6	4.7	0.74	0.43		✓	2.34" (60)	2.56" (65)	1.02" (26)
RP100-6-10-QD	6	10	1.57	0.90	✓		2.34" (60)	2.56" (65)	1.02" (26)
RP100-6-10-W	6	10	1.57	0.90		✓	2.34" (60)	2.56" (65)	1.02" (26)
RP100-10-.22-QD	10	0.22	0.03	0.02	✓		2.34" (60)	2.56" (65)	1.02" (26)
RP100-10-.22-W	10	0.22	0.03	0.02		✓	2.34" (60)	2.56" (65)	1.02" (26)
RP100-10-.47-QD	10	0.47	0.07	0.04	✓		2.34" (60)	2.56" (65)	1.02" (26)
RP100-10-.47-W	10	0.47	0.07	0.04		✓	2.34" (60)	2.56" (65)	1.02" (26)
RP100-10-0-QD	10	0	-	-	✓		2.34" (60)	2.56" (65)	1.02" (26)
RP100-10-0-W	10	0	-	-		✓	2.34" (60)	2.56" (65)	1.02" (26)

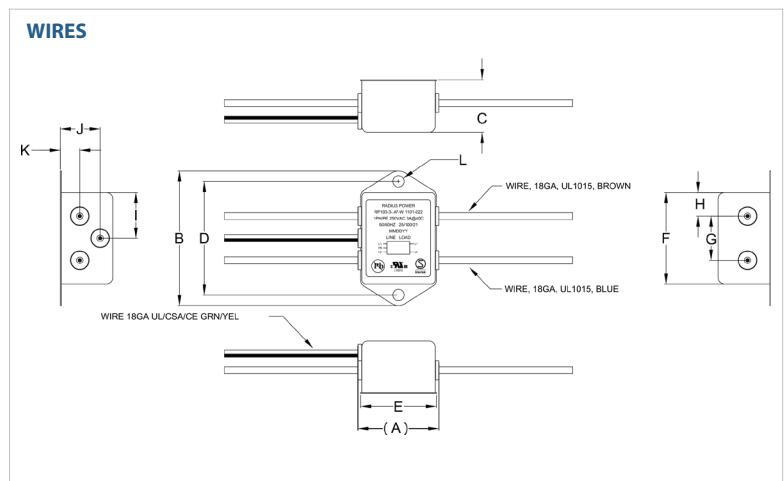
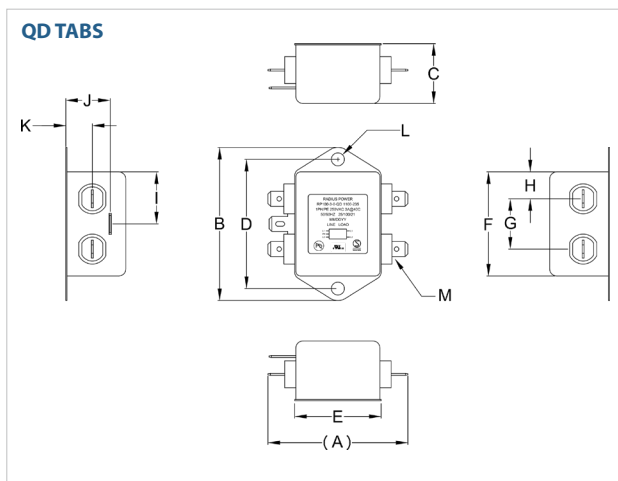
ADDITIONAL MODEL NO. >>

RP100

COMPACT SINGLE STAGE POWER LINE FILTERS

MODEL NO.	RATED CURRENT, A @ 40° C	Y-CAP, nF	LEAKAGE CURRENT, mA @ 250V AC, 50 Hz / @ 120V AC, 60 Hz		TERMINAL OPTIONS		MAX. DIMENSIONS" (MM)		
					(QD)INPUT/ OUTPUT	(W) INPUT/ OUTPUT	WIDTH	LENGTH	HEIGHT
RP100-10-1-QD	10	1	0.16	0.09	✓		2.34" (60)	2.56" (65)	1.02" (26)
RP100-10-1-W	10	1	0.16	0.09		✓	2.34" (60)	2.56" (65)	1.02" (26)
RP100-10-2.2-QD	10	2.2	0.35	0.20	✓		2.34" (60)	2.56" (65)	1.02" (26)
RP100-10-2.2-W	10	2.2	0.35	0.20		✓	2.34" (60)	2.56" (65)	1.02" (26)
RP100-10-4.7-QD	10	4.7	0.74	0.43	✓		2.34" (60)	2.56" (65)	1.02" (26)
RP100-10-4.7-W	10	4.7	0.74	0.43		✓	2.34" (60)	2.56" (65)	1.02" (26)
RP100-10-10-QD	10	10	1.57	0.90	✓		2.34" (60)	2.56" (65)	1.02" (26)
RP100-10-10-W	10	10	1.57	0.90		✓	2.34" (60)	2.56" (65)	1.02" (26)

RP100 MECHANICAL OUTLINES" (MM)



SERIES	A	B	C	D	E	F	G	H	I	J	K	L	M
QD TABS	2.30" (58.4)	2.52" (64)	0.98" (25)	2.13" (54)	1.46" (37)	1.75" (44.5)	0.83" (21)	0.45" (11.5)	0.86" (21.8)	0.73" (18.5)	0.44" (11.1)	Ø0.21", 2x Ø5.4, 2x	0.25", 5x QD, MALE, 6.35, 5x
WIRES	1.60" (41)	2.52" (64)	0.98" (25)	2.13" (54)	1.46" (37)	1.75" (44.5)	0.83" (21)	0.45" (11.5)	0.86" (21.8)	0.73" (18.5)	0.44" (11.1)	Ø0.21", 2x Ø5.4, 2x	N/A

TYPICAL TOLERANCE: +/- 0.02" (0.50MM)

RP100

COMPACT SINGLE STAGE POWER LINE FILTERS

TYPICAL INSERTION LOSS, dB (50/50 Ohm)

Amps	Freq (MHz)	0.15	0.5	1.0	10	30
3	CM (dB)	38	42	45	42	34
	DM (dB)	15	24	34	60	60
6	CM (dB)	30	40	45	45	36
	DM (dB)	15	22	28	60	70
10	CM (dB)	20	30	34	56	50
	DM (dB)	15	22	28	56	60