

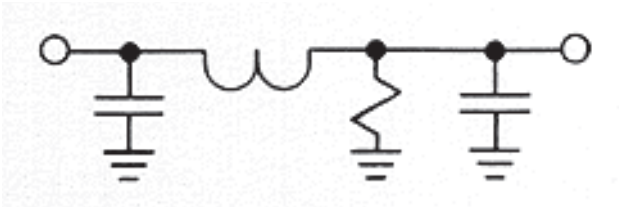
DS

HIGH PERFORMANCE DC POWER FILTER

FEATURES

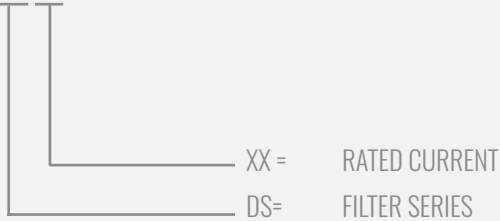
- » **Rated currents** include **100A**
- » Single Stage Line Filter
- » Provides effective attenuation in applications requiring DC power conversion
- » Available with **S** (studs) option
- » High Performance Design
- » Y-cap value can be adjusted to fit specification

ELECTRICAL SCHEMATIC



HOW TO ORDER

DS XX



NOTE: USE ANY COMBINATION OF -X (AMPS) WITH ANY -Y RATINGS
E.G. **DS100**(100 AMPS)



SPECIFICATIONS

MAX. OPERATING VOLTAGE 60VDC +10%
TERMINALS (-T) STUDS: (100A)

TYP. WEIGHT, LBS (KG) 1.67 (0.75)

LEAKAGE CURRENT
@ 250 VAC 60 Hz Contact Factory

HIPOT RATINGS
LINE TO GROUND 150 VDC

TYPICAL APPLICATIONS

- ✓ High power rectifiers
- ✓ Uninterrupted power supplies
- ✓ Inverters
- ✓ VFD
- ✓ PWM

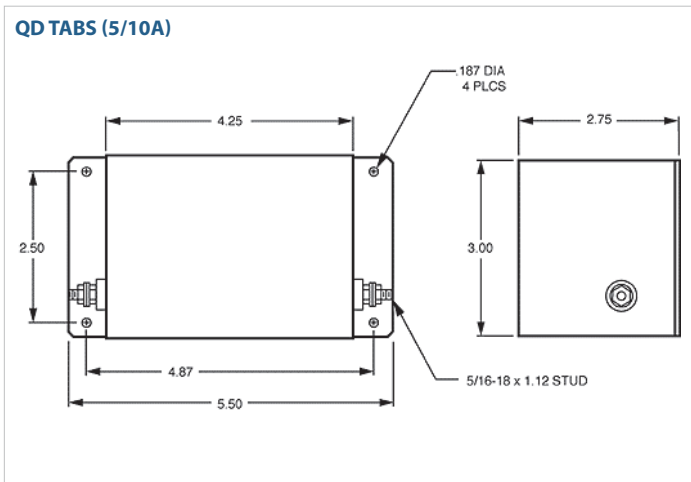
DS

HIGH PERFORMANCE DC POWER FILTER

MODEL NO.	RATED CURRENT (A) @ 40° C	Y-CAP, nF	LEAKAGE CURRENT, mA @ 250V AC, 60 Hz	TERMINAL OPTIONS			MAX. DIMENSIONS" (MM)		
				(QD)INPUT/OUTPUT	(S) INPUT/OUTPUT	(C) INPUT/OUTPUT	WIDTH	(LENGTH)	HEIGHT
DS100	100	*	*		✓		3"	5.50"	2.75"

*Contact factory for part data.

DP MECHANICAL OUTLINES (MM)



TYPICAL TOLERANCE: +/-0.02" (0.50MM)

TYPICAL INSERTION LOSS, dB (50/50 Ohm)

Amps	Freq (MHz)	0.15	0.5	1.0	10	30
100	CM (dB)	*	*	*	*	*
	DM (dB)	60	60	56	60	62

*Contact factory for part data.