

RP210

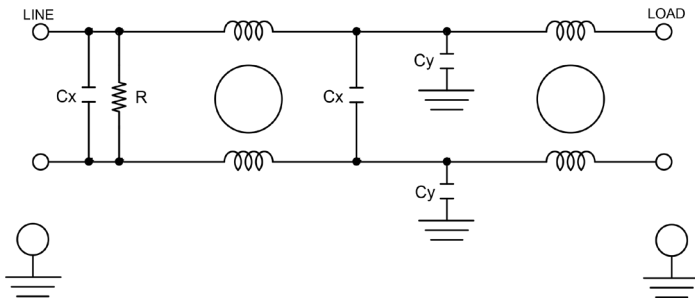
COMPACT DUAL STAGE POWER LINE FILTER

FEATURES

- » Rated currents include **3A, 6A, 10A, and 16A**
- » Dual Stage Line Filter
- » Available with **QD** tabs, **W** (wireleads), and **S** (studs) option
- » Compact Design
- » Agency Approved to UL1283 / 60929, CSA C22.2, EN 60939
- » Y-cap value can be adjusted to fit specifications

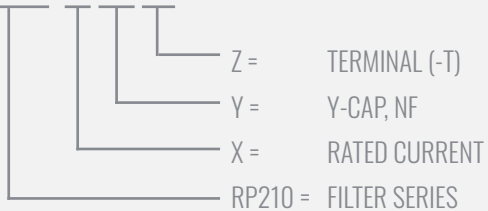


ELECTRICAL SCHEMATIC



HOW TO ORDER

RP210-X-Y-Z



NOTE: USE ANY COMBINATION OF -X (AMPS) WITH ANY -Y RATINGS
E.G. **RP210-10-4.7-W** (10AMPS WITH 4.7 NF YCAP)

For **X, Y** and **Z** options see product specification table.

SPECIFICATIONS

OPERATING FREQUENCY	50/60Hz
USABLE FREQUENCY	DC - 400 Hz
MAX. OPERATING VOLTAGE*	250V +10%
AMBIENT TEMPERATURE	-25 TO 40°C
CLIMATIC CATEGORY	25/100/21
TERMINALS (-T)	QD: 0.25" TABS WIRE LEADS STUD (M4)
TYP. WEIGHT, LBS (KG)	0.1 (0.05)

TYPICAL LEAKAGE CURRENT

@ 250 VAC 50 Hz	0 - 1.80 mA Max.
@ 120 VAC 60 Hz	0 - 0.90 mA Max.

HIPOT RATINGS

LINE TO GROUND	2700 VDC
----------------	----------

TYPICAL APPLICATIONS

- ✓ Household Appliances
- ✓ Industrial Automation Equipment
- ✓ Medical Devices
- ✓ Office Electronics
- ✓ Electronic Devices
- ✓ Noisy Applications

RP210

COMPACT DUAL STAGE POWER LINE FILTER

MODEL NO.	RATED CURRENT, A @ 40° C	Y-CAP, nF	LEAKAGE CURRENT, mA @ 250V AC, 50 Hz / @ 120V AC, 60 Hz		TERMINAL OPTIONS			MAX. DIMENSIONS" (MM)		
					(W) INPUT/ OUTPUT	(S) INPUT/ OUTPUT	(C) INPUT/ OUTPUT	WIDTH	(LENGTH)	HEIGHT
RP210-3-0-QD	3	0	-	-	✓			1.85" (47)	2.93" (74.4)	1.18" (30)
RP210-3-0-W	3	0	-	-		✓		1.85" (47)	2.80" (71)	1.18" (30)
RP210-3-.47-QD	3	0.47	0.07	0.04	✓			1.85" (47)	2.93" (74.4)	1.18" (30)
RP210-3-.47-W	3	0.47	0.07	0.04		✓		1.85" (47)	2.80" (71)	1.18" (30)
RP210-3-1-QD	3	1	0.15	0.09	✓			1.85" (47)	2.93" (74.4)	1.18" (30)
RP210-3-1-W	3	1	0.15	0.09		✓		1.85" (47)	2.80" (71)	1.18" (30)
RP210-3-2.2-QD	3	2.2	0.34	0.19	✓			1.85" (47)	2.93" (74.4)	1.18" (30)
RP210-3-2.2-W	3	2.2	0.34	0.19		✓		1.85" (47)	2.80" (71)	1.18" (30)
RP210-3-4.7-QD	3	4.7	0.73	0.42	✓			1.85" (47)	2.93" (74.4)	1.18" (30)
RP210-3-4.7-W	3	4.7	0.73	0.42		✓		1.85" (47)	2.80" (71)	1.18" (30)
RP210-3-10-QD	3	10	1.57	0.90	✓			1.85" (47)	2.93" (74.4)	1.18" (30)
RP210-3-10-W	3	10	1.57	0.90		✓		1.85" (47)	2.80" (71)	1.18" (30)
RP210-6-0-QD	6	0	-	-	✓			1.85" (47)	2.93" (74.4)	1.18" (30)
RP210-6-0-W	6	0	-	-		✓		1.85" (47)	2.80" (71)	1.18" (30)
RP210-6-.47-QD	6	0.47	0.07	0.04	✓			1.85" (47)	2.93" (74.4)	1.18" (30)
RP210-6-.47-W	6	0.47	0.07	0.04		✓		1.85" (47)	2.80" (71)	1.18" (30)
RP210-6-1-QD	6	1	0.15	0.09	✓			1.85" (47)	2.93" (74.4)	1.18" (30)
RP210-6-1-W	6	1	0.15	0.09		✓		1.85" (47)	2.80" (71)	1.18" (30)
RP210-6-2.2-QD	6	2.2	0.34	0.19	✓			1.85" (47)	2.93" (74.4)	1.18" (30)
RP210-6-2.2-W	6	2.2	0.34	0.19		✓		1.85" (47)	2.80" (71)	1.18" (30)
RP210-6-4.7-QD	6	4.7	0.73	0.42	✓			1.85" (47)	2.93" (74.4)	1.18" (30)
RP210-6-4.7-W	6	4.7	0.73	0.42		✓		1.85" (47)	2.80" (71)	1.18" (30)
RP210-6-10-QD	6	10	1.57	0.90	✓			1.85" (47)	2.93" (74.4)	1.18" (30)
RP210-6-10-W	6	10	1.57	0.90		✓		1.85" (47)	2.80" (71)	1.18" (30)
RP210-10-0-QD	10	0	-	-	✓			2.05" (52)	3.47" (88.25)	1.22" (31)
RP210-10-0-W	10	0	-	-		✓		2.01" (51)	3.35" (85)	1.22" (31)
RP210-10-.47-QD	10	0.47	0.07	0.04	✓			2.05" (52)	3.47" (88.25)	1.22" (31)
RP210-10-.47-W	10	0.47	0.07	0.04		✓		2.01" (51)	3.35" (85)	1.22" (31)
RP210-10-1-QD	10	1	0.15	0.09	✓			2.05" (52)	3.47" (88.25)	1.22" (31)
RP210-10-1-W	10	1	0.15	0.09		✓		2.01" (51)	3.35" (85)	1.22" (31)
RP210-10-2.2-QD	10	2.2	0.34	0.19	✓			2.05" (52)	3.47" (88.25)	1.22" (31)
RP210-10-2.2-W	10	2.2	0.34	0.19		✓		2.01" (51)	3.35" (85)	1.22" (31)
RP210-10-4.7-QD	10	4.7	0.73	0.42	✓			2.05" (52)	3.47" (88.25)	1.22" (31)
RP210-10-4.7-S	10	4.7	0.73	0.42			✓	2.05" (52)	3.90" (99)	1.22" (31)

ADDITIONAL MODEL NO. >>

RP210

COMPACT DUAL STAGE POWER LINE FILTER

MODEL NO.	RATED CURRENT, A @ 40° C	Y-CAP, nF	LEAKAGE CURRENT, mA @ 250V AC, 50 Hz / @ 120V AC, 60 Hz		TERMINAL OPTIONS			MAX. DIMENSIONS" (MM)		
					(W) INPUT/ OUTPUT	(S) INPUT/ OUTPUT	(C) INPUT/ OUTPUT	WIDTH	(LENGTH)	HEIGHT
RP210-10-4.7-W	10	4.7	0.73	0.42		✓		2.01" (51)	3.35" (85)	1.22" (31)
RP210-10-10-QD	10	10	1.57	0.90	✓			2.05" (52)	3.47" (88.25)	1.22" (31)
RP210-10-10-W	10	10	1.57	0.90		✓		2.01" (51)	3.35" (85)	1.22" (31)
RP210-16-0-QD	16	0	-	-	✓			2.05" (52)	3.45" (87.7)	1.61" (41)
RP210-16-0-S	16	0	-	-			✓	2.05" (52)	3.90" (99)	1.61" (41)
RP210-16-0-W	16	0	-	-		✓		2.05" (52)	3.35" (85)	1.57" (40)
RP210-16-4.7-QD	16	0.47	0.73	0.42	✓			2.05" (52)	3.45" (87.7)	1.61" (41)
RP210-16-4.7-S	16	0.47	0.73	0.42			✓	2.05" (52)	3.90" (99)	1.61" (41)
RP210-16-4.7-W	16	0.47	0.73	0.42		✓		2.05" (52)	3.35" (85)	1.57" (40)
RP210-16-1-QD	16	1	0.15	0.09	✓			2.05" (52)	3.45" (87.7)	1.61" (41)
RP210-16-1-S	16	1	0.15	0.09			✓	2.05" (52)	3.90" (99)	1.61" (41)
RP210-16-1-W	16	1	0.15	0.09		✓		2.05" (52)	3.35" (85)	1.57" (40)
RP210-16-2.2-QD	16	2.2	0.34	0.19	✓			2.05" (52)	3.45" (87.7)	1.61" (41)
RP210-16-2.2-S	16	2.2	0.34	0.19			✓	2.05" (52)	3.90" (99)	1.61" (41)
RP210-16-2.2-W	16	2.2	0.34	0.19		✓		2.05" (52)	3.35" (85)	1.57" (40)
RP210-16-4.7-QD	16	4.7	0.73	0.42	✓			2.05" (52)	3.45" (87.7)	1.61" (41)
RP210-16-4.7-S	16	4.7	0.73	0.42			✓	2.05" (52)	3.90" (99)	1.61" (41)
RP210-16-4.7-W	16	4.7	0.73	0.42		✓		2.05" (52)	3.35" (85)	1.57" (40)
RP210-16-10-QD	16	10	1.57	0.90	✓			2.05" (52)	3.45" (87.7)	1.61" (41)
RP210-16-10-S	16	10	1.57	0.90			✓	2.05" (52)	3.90" (99)	1.61" (41)
RP210-16-10-W	16	10	1.57	0.90		✓		2.05" (52)	3.35" (85)	1.57" (40)

*Contact factory for dimensions.

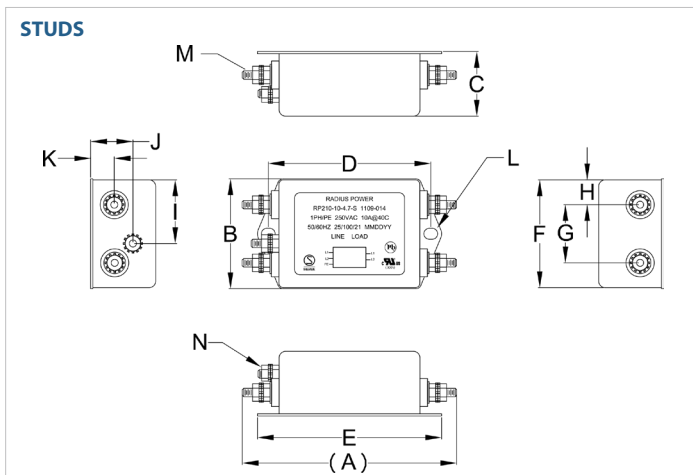
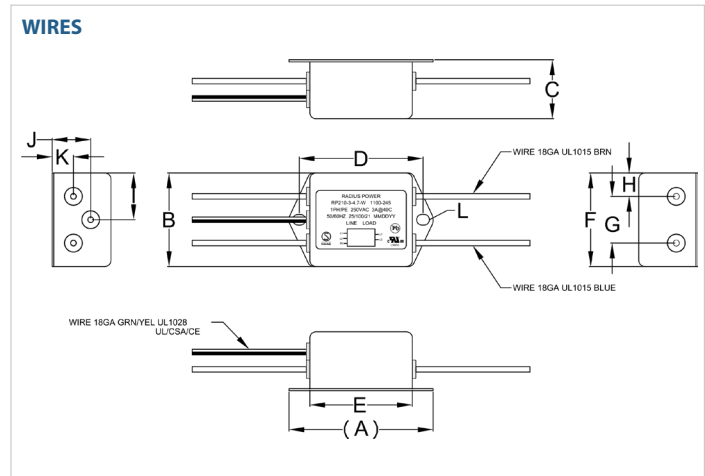
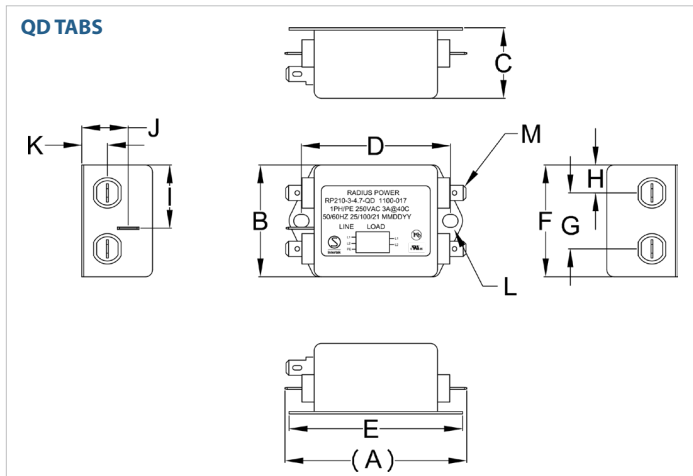
RP210

COMPACT DUAL STAGE POWER LINE FILTER

TYPICAL INSERTION LOSS, dB (50/50 Ohm)

Amps	Freq (MHz)	0.15	0.5	1.0	10	30
3	CM (dB)	40	50	50	45	40
	DM (dB)	15	26	45	50	50
6	CM (dB)	30	42	50	55	35
	DM (dB)	30	42	50	55	35
10	CM (dB)	20	30	36	55	40
	DM (dB)	15	26	32	55	40
16	CM (dB)	18	25	40	55	45
	DM (dB)	15	25	40	65	50

RP210 MECHANICAL OUTLINES (MM)



RP210

COMPACT DUAL STAGE POWER LINE FILTER

SERIES	(A)	B	C	D	E	F	G	H	I	J	K	L	M	N
QD TABS (3/6A)	2.93" (74.4)	1.85" (47)	1.18" (30)	2.40" (61)	2.80" (71)	1.85" (47)	0.91" (23)	0.45" (11.5)	1.02" (26)	0.75" (19)	0.41" (10.5)	Ø0.24"x5.3, 2x (Ø 6.3x5.3, 2x)	0.25", 5x (QD, MALE, 6.35, 5x)	N/A
WIRES (3/6A)	2.80" (71)	1.85" (47)	1.18" (30)	2.40" (61)	2.03" (51.5)	1.85" (47)	0.91" (23)	0.45" (11.5)	0.91" (23)	0.75" (19)	0.41" (10.5)	Ø0.24"x5.3, 2x (Ø 6.3x5.3, 2x)	N/A	N/A
QD TABS (10A)	3.47" (88.25)	2.05" (52)	1.22" (31)	2.95" (75)	3.35" (85)	2.01" (51)	1.06" (27)	0.45" (11.5)	1.16" (29.5)	0.77" (19.5)	0.43" (10.9)	Ø0.24"x5.1, 2x (Ø, 6.4x5.1, 2x)	0.25", 5x (QD, MALE, 6.35, 5x)	N/A
WIRES (10A)	3.35" (85)	2.01" (51)	1.22" (31)	2.95" (75)	2.60" (66)	2.05" (52)	1.06" (27)	0.45" (11.5)	0.98" (25)	0.77" (19.5)	0.43" (10.9)	N/A	N/A	N/A
STUDS (10A)	3.90" (99)	2.05" (52)	1.22" (31)	2.95" (75)	3.35" (85)	2.01" (51)	1.06" (27)	0.45" (11.5)	1.16" (29.5)	0.77" (19.5)	0.43" (10.9)	Ø0.24"x5.1, 2x (Ø, 6.4x5.1, 2x)	STUD, M4, 4x	STUD, GND, M4
QD TABS (16A)	3.45" (87.7)	2.05" (52)	1.61" (41)	2.95" (75)	3.35" (85)	2.01" (51)	1.06" (27)	0.45" (11.5)	1.52" (38.5)	1.14" (29)	0.49" (12.5)	Ø0.24"x5.1, 2x (Ø 6.4x5.1, 2x)	0.25", 5x (QD, MALE, 6.35, 5x)	N/A
WIRES (16A)	3.35" (85)	2.05" (52)	1.57" (40)	2.95" (75)	2.60" (66)	2.01" (51)	1.06" (27)	0.45" (11.5)	1.06" (27)	1.14" (29)	0.49" (12.5)	N/A	N/A	N/A
STUDS (16A)	3.90" (99)	2.05" (52)	1.61" (41)	2.95" (75)	3.35" (85)	1.97" (50)	1.06" (27)	0.45" (11.5)	1.52" (38.5)	1.14" (29)	0.49" (12.5)	Ø0.24"x5.1, 2x (Ø, 6.4x5.1, 2x)	STUD, M4, 4x	STUD GND M4

TYPICAL TOLERANCE: +/-0.02" (0.50MM)