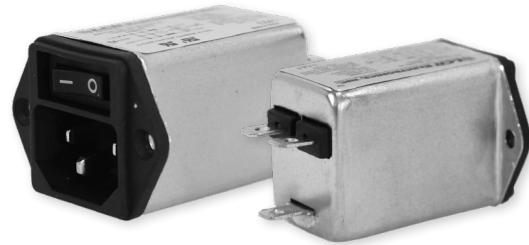


# 085(M)

## FILTERED POWER ENTRY MODULES WITH SWITCH (GENERAL PURPOSE & MEDICAL)

### FEATURES

- » Rated currents include **1A, 3A, 6A, and 10A**
- » Single Stage
- » Available with quick disconnect tabs and wire leads options
- » General Purpose & Low Leakage (M)edical options
- » Compact IEC inlet power entry modules with integrated SPST on/off switch
- » Easy to use and install
- » Agency Approved to *UL and EN 60939, CSA C22.2*
- » Y-cap value can be adjusted



### SPECIFICATIONS

OPERATING FREQUENCY	50/60Hz
IEC INLET	C14
MAX. OPERATING VOLTAGE	250VAC +10%
CLIMATIC CATEGORY	25/85/21
TERMINALS (-T)	0.25" TABS W: WIRE LEADS
TYP. WEIGHT, LBS (KG)	0.14 (0.06)

### TYPICAL LEAKAGE CURRENT 085

@ 250 VAC 50 Hz	0 - 0.42 mA Max.
@ 115 VAC 60 Hz	0 - 0.23 mA Max.

### TYPICAL LEAKAGE CURRENT 085M

@ 250 VAC 50 Hz	0 - 10uA Max.
@ 115 VAC 60 Hz	0 - 5uA Max.

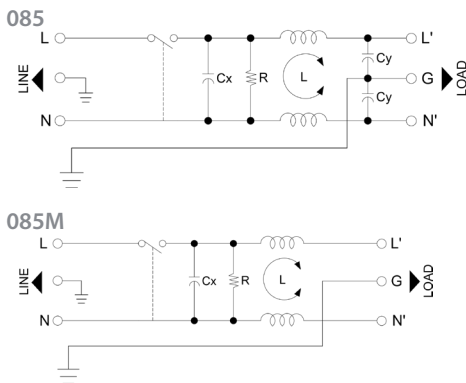
### HIPOT RATINGS

LINE TO LINE	1450 VDC
LINE TO GROUND	2250 VDC

### TYPICAL APPLICATIONS

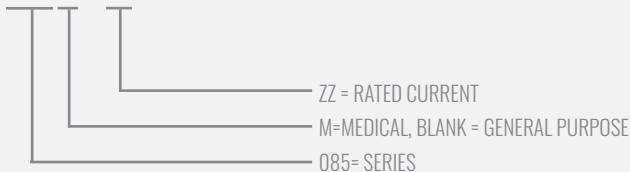
- ✓ Household appliances and equipment
- ✓ Small medical equipment
- ✓ Portable electrical and electronic equipment
- ✓ Test and measurement/lab equipment
- ✓ Rack mounted equipment

### ELECTRICAL SCHEMATIC



### HOW TO ORDER

085M.OZZ01.00



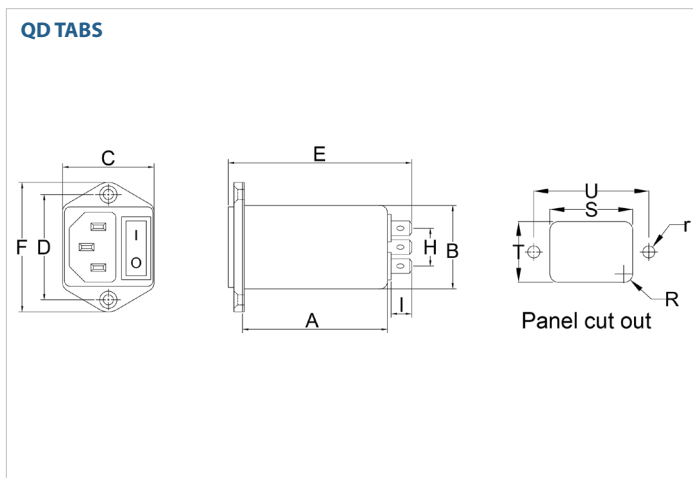
**NOTE:** USE ANY COMBINATOR OF **M** AND **ZZ**  
E.G. **085.00101.00** (1A GENERAL PURPOSE VERSION) | **085M.00101.00** (1A LOW LEAKAGE MEDICAL VERSION)

# 085(M)

## FILTERED POWER ENTRY MODULES WITH SWITCH (GENERAL PURPOSE & MEDICAL)

MODEL NO.	RATED CURRENT, A @ 40° C	TERMINAL OPTIONS		APPLICATION PURPOSE		MAX. DIMENSIONS" (MM)		
		(QD) OUTPUT	(W) OUTPUT	GENERAL	MEDICAL	WIDTH	(LENGTH)	HEIGHT
085.00101.00	1	✓	✓	✓		1.12"(29)	2.00"(51)	1.34"(34)
085.00301.00	3	✓	✓	✓		1.12"(29)	2.00"(51)	1.34"(34)
085.00601.00	6	✓	✓	✓		1.12"(29)	2.00"(51)	1.34"(34)
085.01001.00	10	✓	✓	✓		1.12"(29)	2.00"(51)	1.34"(34)
085M.00101.00	1	✓	✓		✓	1.12"(29)	2.00"(51)	1.34"(34)
085M.00301.00	3	✓	✓		✓	1.12"(29)	2.00"(51)	1.34"(34)
085M.00601.00	6	✓	✓		✓	1.12"(29)	2.00"(51)	1.34"(34)
085M.01001.00	10	✓	✓		✓	1.12"(29)	2.00"(51)	1.34"(34)

### 085(M) MECHANICAL OUTLINES (MM)



SERIES	(A)	B	C	D	E	F	G	H	I	U	S	T	R	r
<b>QD TABS</b>	2.00" (51)	1.12" (29)	1.34" (34)	1.42" (36)	2.60" (66)	1.75" (45)	2*4.0	0.47" (12)	0.35" (9)	1.42" (36)	1.16" (30)	1.32" (34)	0.12" (3)	0.17" (4)

TYPICAL TOLERANCE: +/-0.02" (0.50MM)

# 085(M)

## FILTERED POWER ENTRY MODULES WITH SWITCH (GENERAL PURPOSE & MEDICAL)

### TYPICAL INSERTION LOSS, dB (50/50 Ohm)

#### 085 INSERTION LOSS

Amps	Freq (MHz)	0.15	0.5	1	10	30
1	CM (dB)	41.0	53.0	56.0	55.0	50.0
	DM (dB)	18.0	28.0	32.0	50.0	50.0
3	CM (dB)	37.0	49.0	51.0	50.0	50.0
	DM (dB)	18.0	28.0	32.0	50.0	50.0
6	CM (dB)	25.0	35.0	38.0	48.0	45.0
	DM (dB)	18.0	28.0	32.0	50.0	50.0
10	CM (dB)	18.0	26.0	28.0	42.0	40.0
	DM (dB)	18.0	28.0	32.0	50.0	50.0

#### 085M INSERTION LOSS

Amps	Freq (MHz)	0.15	0.5	1	10	30
1	CM (dB)	41.0	49.0	51.0	27.0	17.0
	DM (dB)	18.0	28.0	32.0	50.0	50.0
3	CM (dB)	37.0	45.0	43.0	23.0	15.0
	DM (dB)	18.0	28.0	32.0	50.0	50.0
6	CM (dB)	25.0	31.0	33.0	23.0	15.0
	DM (dB)	18.0	28.0	32.0	50.0	50.0
10	CM (dB)	18.0	24.0	26.0	10.0	8.0
	DM (dB)	18.0	28.0	32.0	50.0	50.0