

RP410

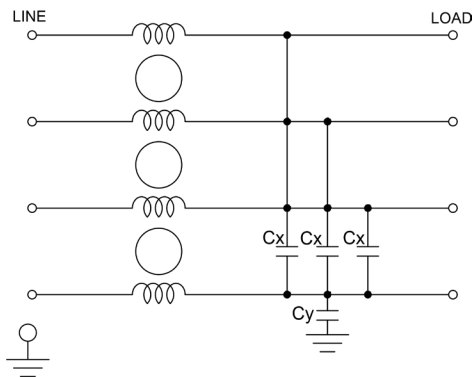
ULTRA COMPACT 3-PHASE **WYE** SINGLE STAGE POWER LINE FILTER

FEATURES

- » Rated currents include **6A, 10A, and 20A**
- » Single Stage Line Filter
- » Available with **QD** (tabs), **W** (wires), and **S** (studs)
- » Ultra Compact Design
- » Agency Approved to UL1283 / 60929, CSA C22.2, EN 60939
- » Y-cap value can be adjusted to fit specification

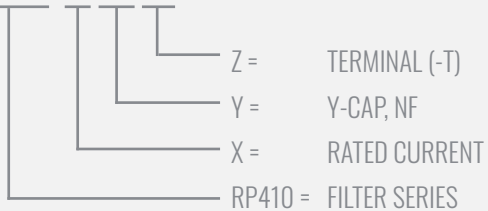


ELECTRICAL SCHEMATIC



HOW TO ORDER

RP410- X - Y - Z



NOTE: USE ANY COMBINATION OF -X (AMPS) WITH ANY -Y RATINGS
E.G. **RP410-6-10-QD**(6AMPS WITH 10 NF YCAP)

For **X, Y** and **Z** options see product specification table.

SPECIFICATIONS

OPERATING FREQUENCY	50/60Hz
USABLE FREQUENCY	DC - 400 Hz
MAX. OPERATING VOLTAGE	480V +10%
AMBIENT TEMPERATURE	-25 TO 40°C
CLIMATIC CATEGORY	25/100/21
TERMINALS (-T)	QD: 0.25" TABS WIRE LEADS STUDS (M5)

TYP. WEIGHT, LBS (KG) 0.7 (0.3)

TYPICAL LEAKAGE CURRENT

@ 480 VAC 60 Hz 0 - 1.0 mA Max.

HIPOT RATINGS

LINE TO GROUND 3500 VDC

TYPICAL APPLICATIONS

- ✓ Laser products
- ✓ Industrial automation equipment
- ✓ Industrial lighting
- ✓ Testing and measurement devices
- ✓ Ultrasonic cleaners

RP410

ULTRA COMPACT 3-PHASE **WYE** SINGLE STAGE POWER LINE FILTER

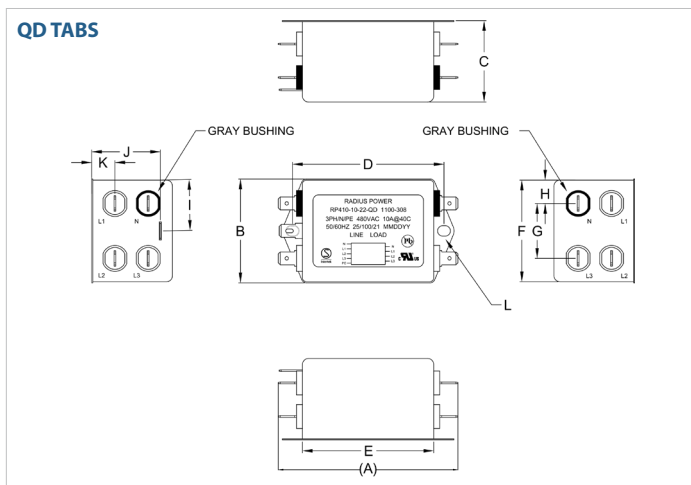
MODEL NO.	RATED CURRENT, A @ 40° C	Y-CAP, nF	LEAKAGE CURRENT mA, @ 480V AC/60 Hz	TERMINAL OPTIONS			MAX. DIMENSIONS" (MM)		
				(QD) INPUT/ OUTPUT	(W) INPUT/ OUTPUT	(S) INPUT/ OUTPUT	WIDTH	(LENGTH)	HEIGHT
RP410-6-0-QD	6	0	-	✓			2.01"(51)	3.50"(89)	1.57"(40)
RP410-6-0-S	6	0	-			✓	*	*	*
RP410-6-0-W	6	0	-		✓		*	*	*
RP410-6-10-QD	6	10	0.10	✓			2.01"(51)	3.50"(89)	1.57"(40)
RP410-6-10-S	6	10	0.10			✓	*	*	*
RP410-6-10-W	6	10	0.10		✓		*	*	*
RP410-6-22-QD	6	22	0.20	✓			2.01"(51)	3.50"(89)	1.57"(40)
RP410-6-22-S	6	22	0.20			✓	*	*	*
RP410-6-22-W	6	22	0.20		✓		*	*	*
RP410-10-0-QD	10	0	-	✓			2.01"(51)	3.50"(89)	1.57"(40)
RP410-10-0-S	10	0	-			✓	*	*	*
RP410-10-0-W	10	0	-		✓		*	*	*
RP410-10-10-QD	10	10	0.10	✓			2.01"(51)	3.50"(89)	1.57"(40)
RP410-10-10-S	10	10	0.10			✓	*	*	*
RP410-10-10-W	10	10	0.10		✓		*	*	*
RP410-10-22-QD	10	22	0.20	✓			2.01"(51)	3.50"(89)	1.57"(40)
RP410-10-22-S	10	22	0.20			✓	*	*	*
RP410-10-22-W	10	22	0.20		✓		*	*	*
RP410-20-0-QD	20	0	-	✓			2.01"(51)	3.50"(89)	1.57"(40)
RP410-20-0-S	20	0	-			✓	*	*	*
RP410-20-0-W	20	0	-		✓		*	*	*
RP410-20-10-QD	20	10	0.10	✓			2.01"(51)	3.50"(89)	1.57"(40)
RP410-20-10-S	20	10	0.10			✓	*	*	*
RP410-20-10-W	20	10	0.10		✓		*	*	*
RP410-20-22-QD	20	22	0.20	✓			2.01"(51)	3.50"(89)	1.57"(40)
RP410-20-22-S	20	22	0.20			✓	*	*	*
RP410-20-22-W	20	22	0.20		✓		*	*	*

*Contact factory for dimensions.

RP410

ULTRA COMPACT 3-PHASE **WYE** SINGLE STAGE POWER LINE FILTER

RP410 MECHANICAL OUTLINES (MM)



SERIES	(A)	B	C	D	E	F	G	H	I	J	K	L	M
QD TABS	3.50" (89)	2.01" (51)	1.57" (40)	2.95" (75)	2.56" (65)	1.97" (50)	1.06" (27)	0.45" (12)	0.98" (25)	1.34" (34)	0.45" (12)	Ø, 0.20"x0.24", 2x (Ø, 5.3x6.3, 2x)	0.25", 9x (QD, 6.35, 9x)

TYPICAL TOLERANCE: +/-0.02" (0.50MM)

TYPICAL INSERTION LOSS, dB (50/50 Ohm)

Amps	Freq (MHz)	0.15	0.5	1.0	10	30
6	CM (dB)	26	40	45	45	40
	DM (dB)	16	28	35	55	55
10	CM (dB)	16	30	35	40	36
	DM (dB)	16	26	32	54	56
20	CM (dB)	10	20	30	40	45
	DM (dB)	16	24	32	52	55