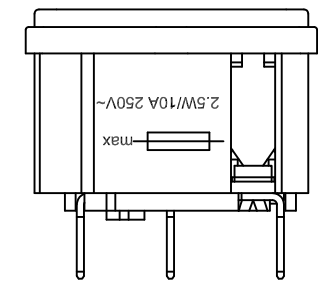
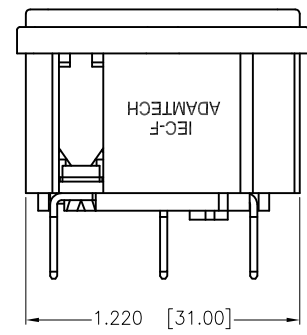
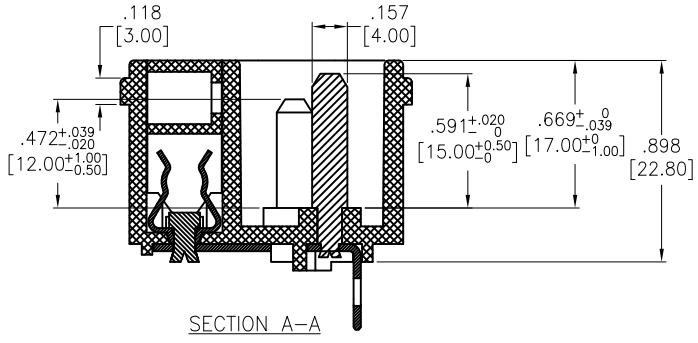
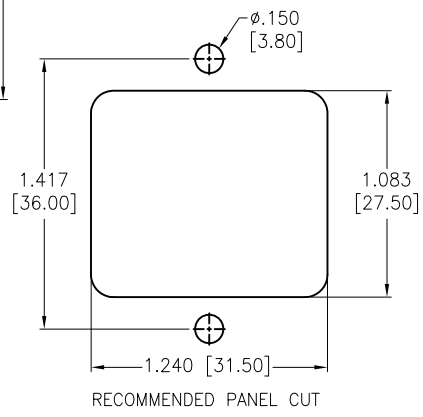
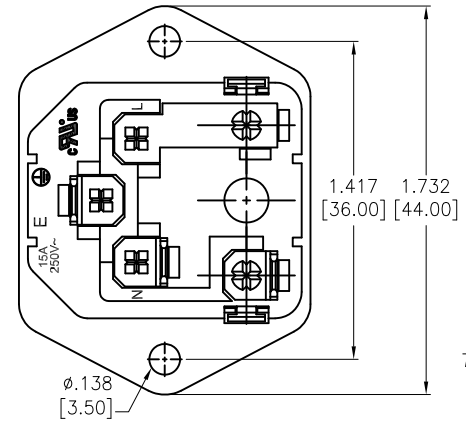
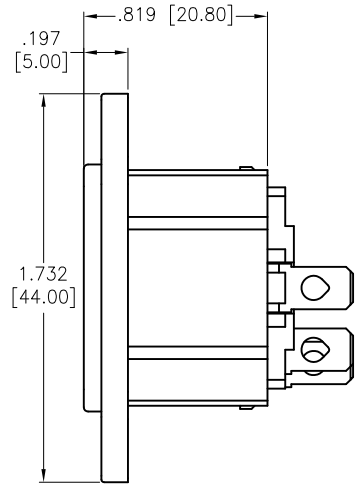
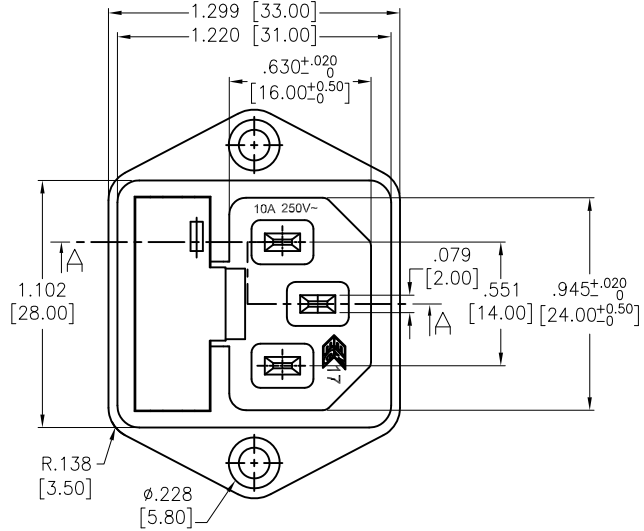


APPROVED: \_\_\_\_\_  
 DATE: \_\_\_\_\_ TITLE: \_\_\_\_\_

Rev	AWO #	Description	Date	Appr
-		RELEASED	6/17/05	
A		CHANGE TERMINAL	8/15/08	
B		REDRAWN	01/23/13	
C		UPDATE DRAWING	8/5/20	LH/LX



TERMINAL OPTIONS		
-1	-2	-3
.187 Q.C.	.250 Q.C.	.157 Solder

**SPECIFICATIONS:**

Material:  
 Insulator: Nylon 66, rated UL 94V-0  
 Insulator color: Black  
 Contacts: Copper Alloy  
 Plating:  
 Tin over Copper underplate overall  
 Electrical:  
 Current rating: C-ULus: 15A @ 250V  
 ENEC: 10A @ 250V  
 Insulation resistance: 100 Mohms min @ 500 VDC  
 Dielectric withstanding voltage: 3,000 VAC for 1 minute  
 Environmental:  
 Lead free, RoHS compliant



UNLESS OTHERWISE SPECIFIED  
 ALL DIMENSIONS ARE INCHES [MM]  
 TOLERANCES: EXCEPT AS NOTED  
 INCHES HOLES  
 .X ±.10 Ø.X ±.10  
 .XX ±.020 Ø.XX ±.015  
 .XXX ±.015 Ø.XXX ±.010

APPROVALS		DATE
DRAWN	SS	6/17/05
CHECKED		
APPROVED		

**ADAM TECH**  
 INTERCONNECTS  
 909 Rahway Avenue,  
 Union, NJ 07083  
 Phone: 908-687-5000  
 Fax: 908-687-5710

TITLE  
**IEC MALE INLET, SCREW ON PANEL MOUNT  
 5 x 20mm FUSE HOLDER**

SIZE	PART NO.	REV.
X	IEC-F-X	C
REF: S00087C	SCALE: NTS	SHEET 1 OF 1