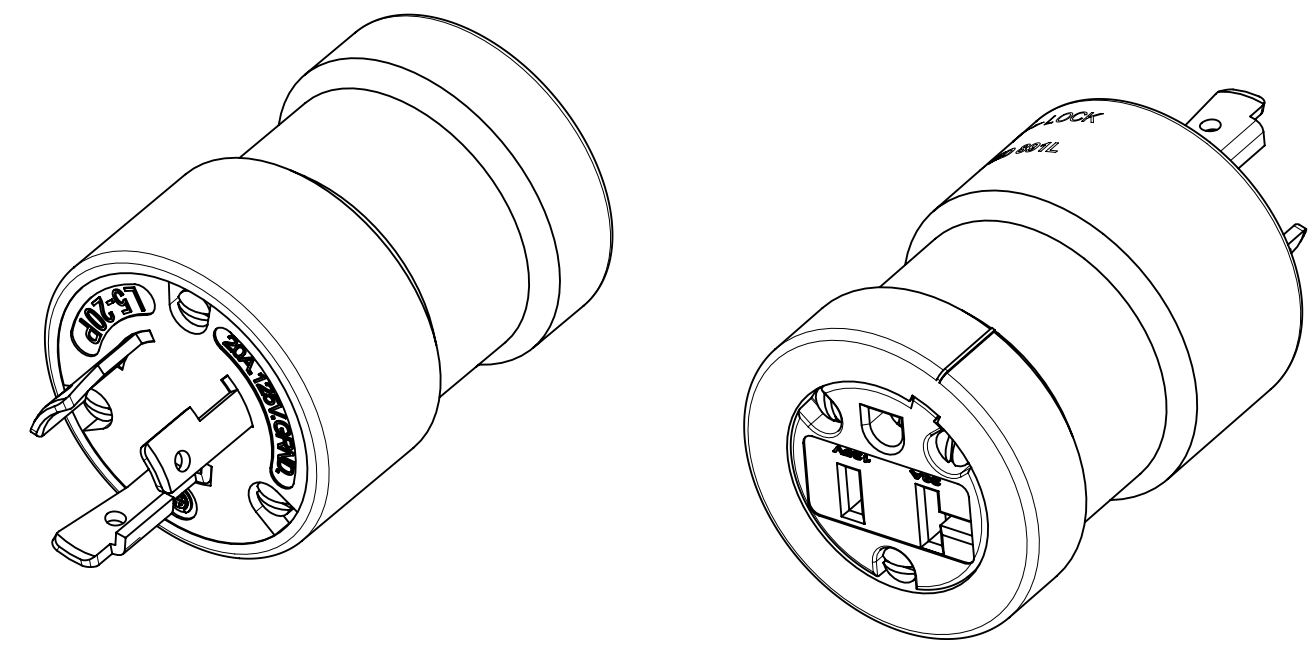
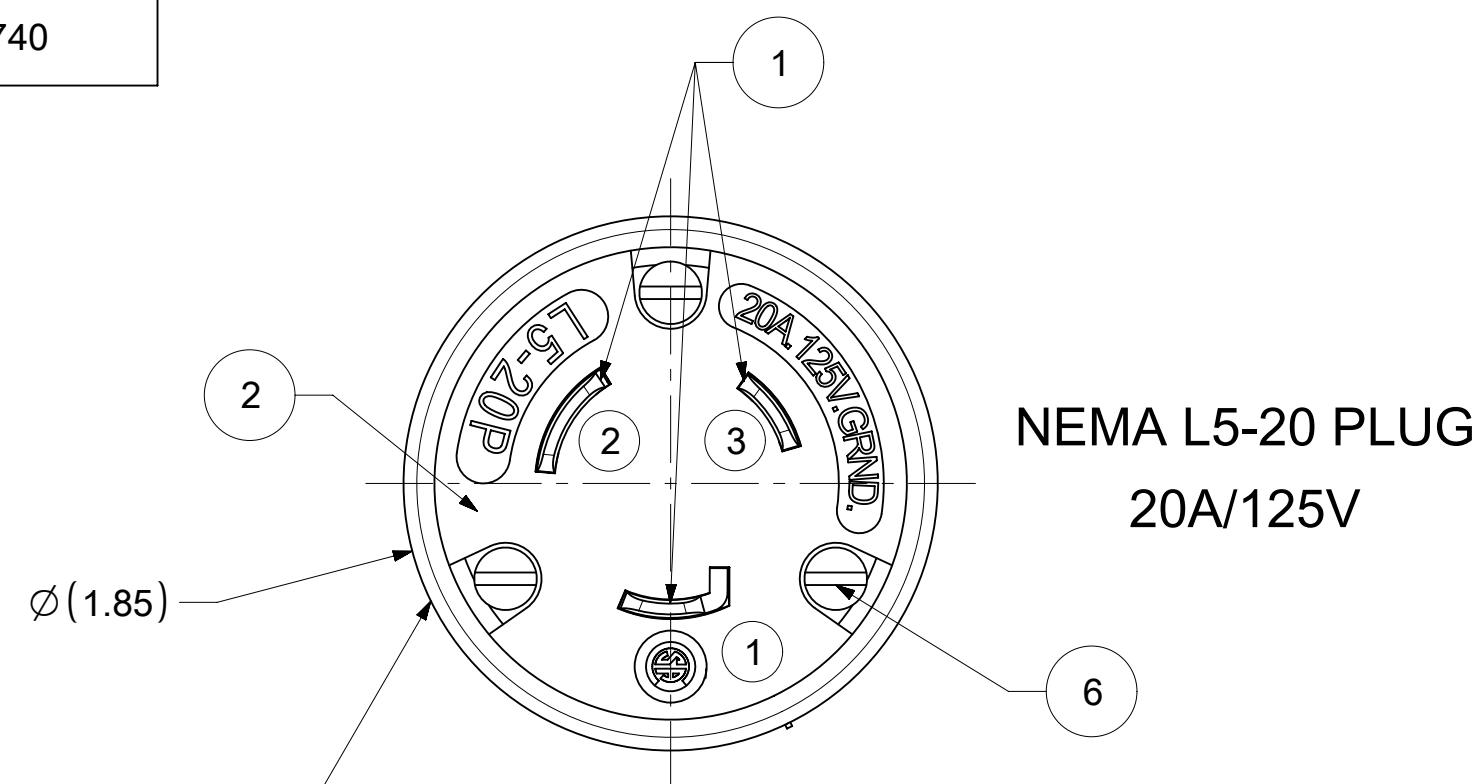
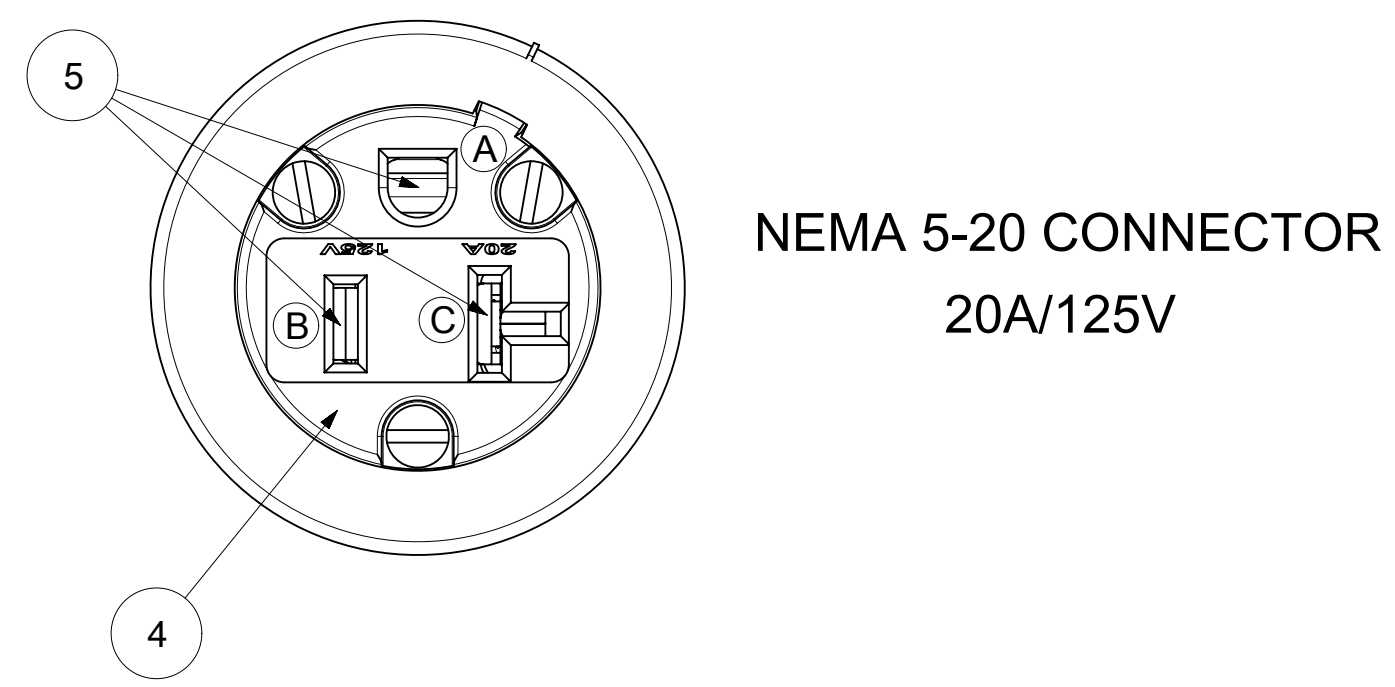
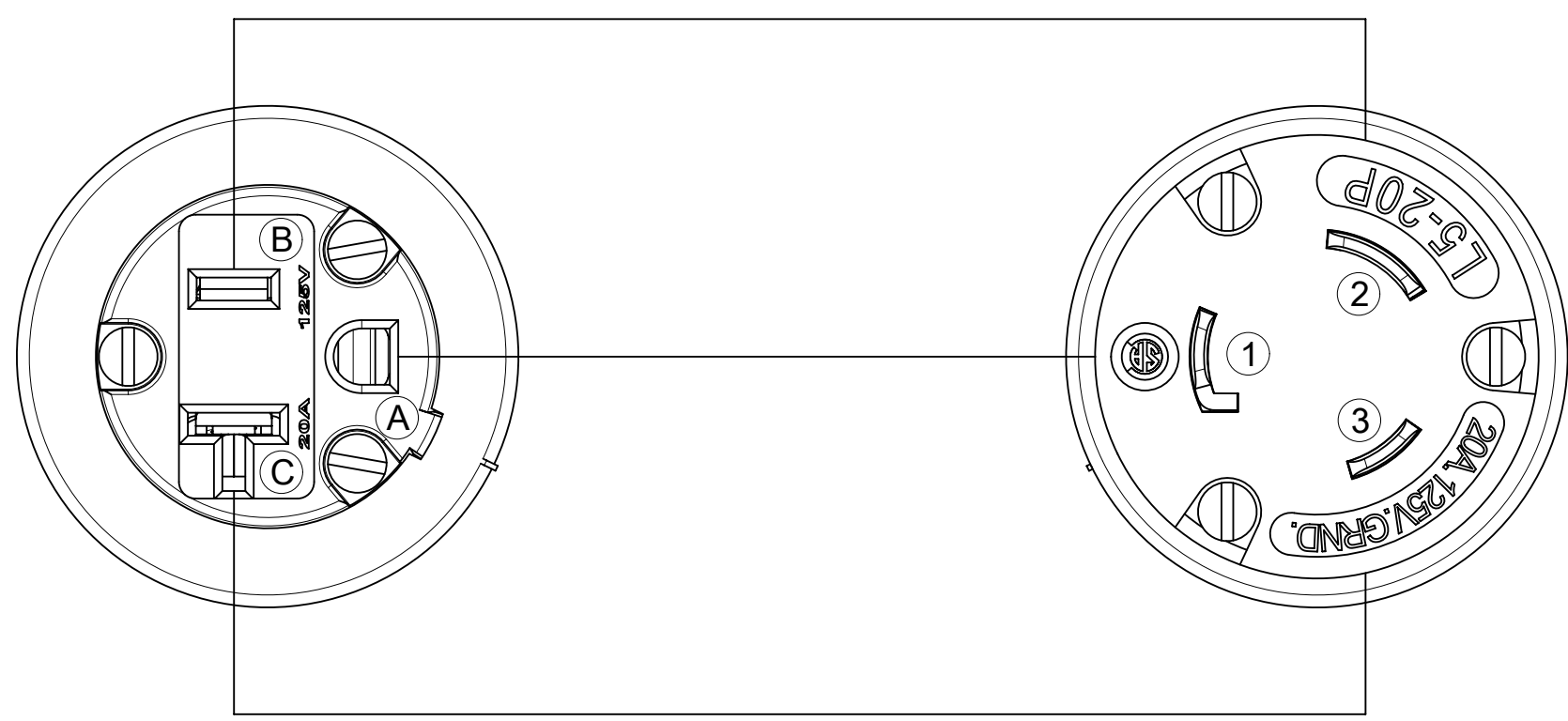
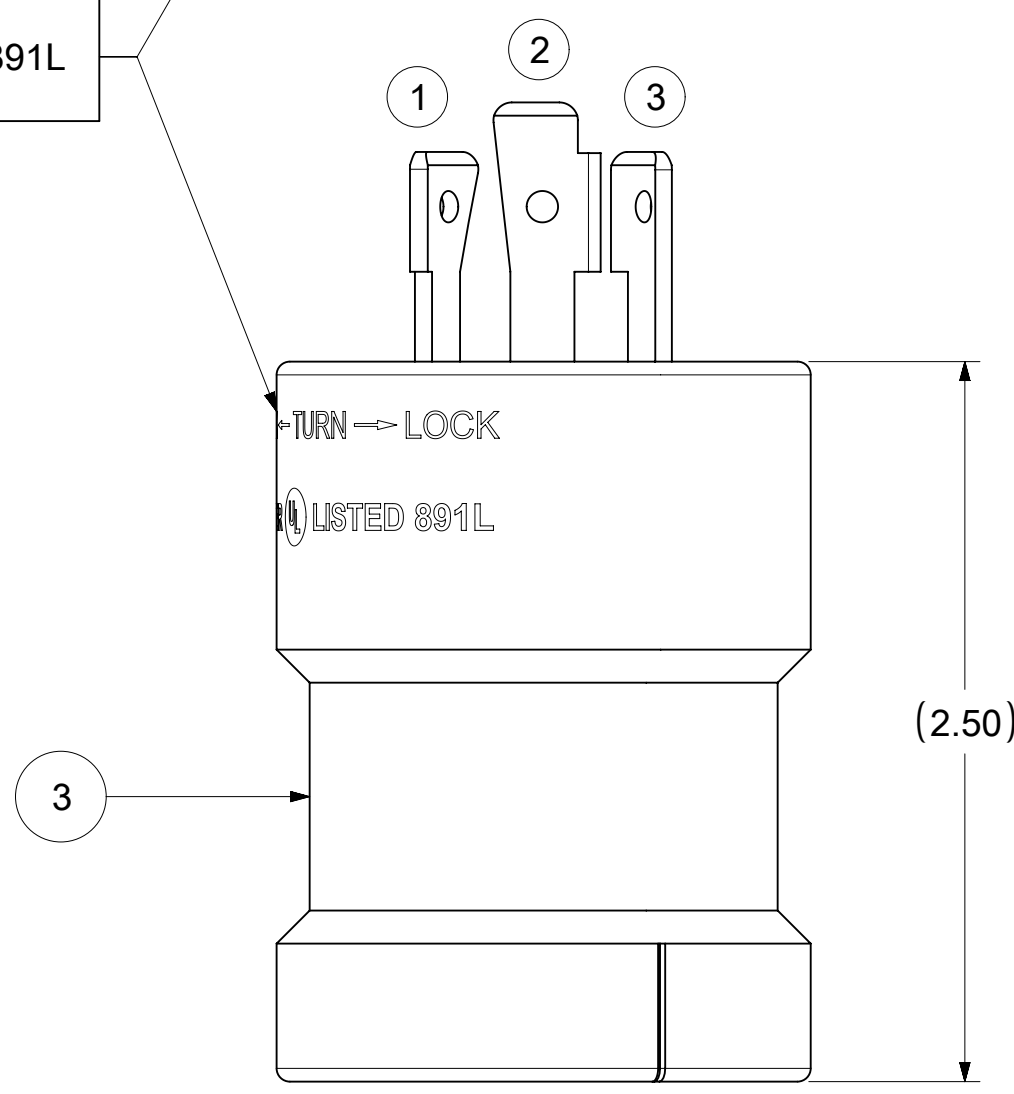


MATERIAL NUMBER	ENGINEERING NUMBER
1301510023	1740



ADAPTER LISTED 891L



ITEM NO.	DESCRIPTIONS	MATERIAL	QTY.
1	MALE BLADES	BRASS	3
2	INSERT, MALE	NYLON	1
3	HOUSING, YELLOW	RUBBER	1
4	INSERT, FEMALE	POLYCARBONATE	1
5	RECEPTACLES BLADES	PHOSPHOR BRONZE	3
6	SCREW	STEEL	6

FUNCTIONAL SYMBOLS = 0 = 0 = 0 DIVISIONAL SYMBOLS 4 PLACES ± 3 PLACES ± 2 PLACES ± 1 PLACE ± 0 PLACES ±	THIS DRAWING CONTAINS INFORMATION THAT IS PROPRIETARY TO MOLEX ELECTRONIC TECHNOLOGIES, LLC AND SHOULD NOT BE USED WITHOUT WRITTEN PERMISSION		SCALE INCH NTS		CURRENT REV DESC: NEW SALES DRAWING CREATED			
	GENERAL TOLERANCES (UNLESS SPECIFIED) ANGULAR TOL ± °		EC NO: 655088 DRWN: PPURSUTANDEL 2021/01/08 CHK'D: VOU 2022/06/06 APPR: HKNEELAND 2022/06/07		ADAPTER L5-20P TO 5-20R			
	DRAFT WHERE APPLICABLE MUST REMAIN WITHIN DIMENSIONS		THIRD ANGLE PROJECTION 		DRAWING SERIES C-SIZE 130151		PRODUCT CUSTOMER DRAWING	
	DOCUMENT NUMBER 1301510023		DOC TYPE DOC PART REVISION PSD 000 A		MATERIAL NUMBER CUSTOMER SEE TABLE GENERAL MARKET		SHEET NUMBER 1 OF 1	