

DABiC-5 8-Bit Serial Input Latched Sink Drivers

Features and Benefits

- 3.3 to 5 V logic supply range
- Power on reset (POR)
- To 10 MHz data input rate
- CMOS, TTL compatible
- -40°C operation available
- Schmitt trigger inputs for improved noise immunity
- Low-power CMOS logic and latches
- High-voltage current-sink outputs
- Internal pull-up/pull down resistors

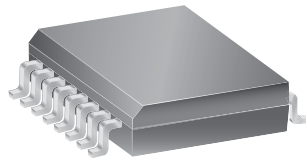
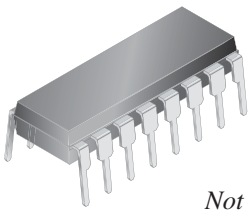
Applications:

- Multiplexed LED displays
- Incandescent lamps

Packages:

Package A 16-pin DIP

Package LW 16-pin SOICW



Not to scale

Description

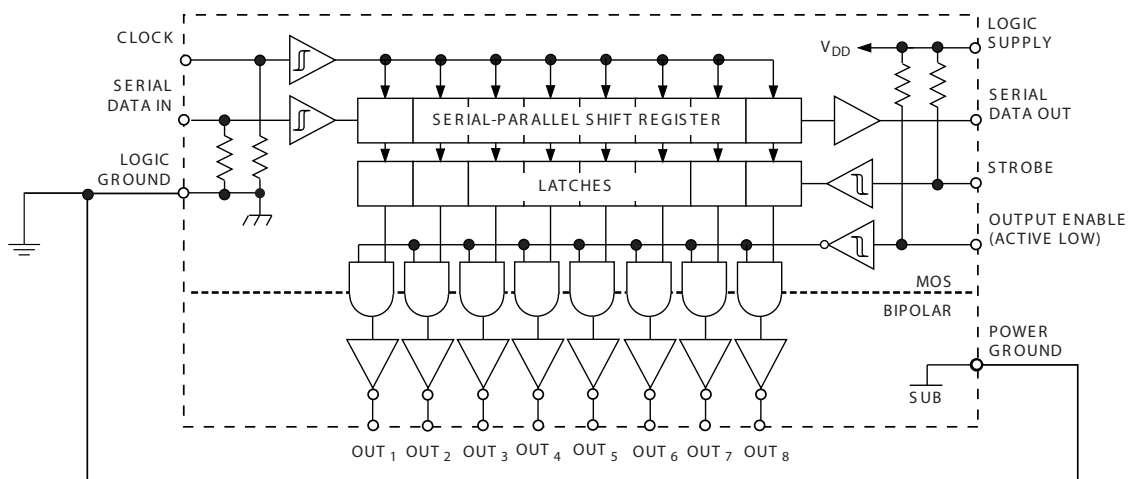
A merged combination of bipolar and MOS technology gives these devices an interface flexibility beyond the reach of standard logic buffers and power driver arrays. Typical applications include driving multiplexed LED displays or incandescent lamps.

The A6821 has an eight-bit CMOS shift register and CMOS control circuitry, eight CMOS data latches, and eight bipolar current-sinking Darlington output drivers.

The CMOS inputs are compatible with standard CMOS logic levels. TTL circuits may require the use of appropriate pull-up resistors. By using the serial data output, the drivers can be cascaded for interface applications requiring additional drive lines.

The A6821SA is furnished in a standard 16-pin plastic DIP. The A6821EA is a 16-pin plastic DIP, capable of operation from -40°C to 85°C. The A6821SLW is a 16-lead wide-body SOIC, for surface-mount applications. These devices are lead (Pb) free, with 100% matte tin plated leadframes.

Functional Block Diagram



Selection Guide

Part Number	Package	Ambient (°C)	Packing
A6821SA-T	16-pin DIP	-20 to 85	25 pieces per tube
A6821EA-T*	16-pin DIP	-40 to 85	25 pieces per tube
A6821SLWTR-T	16-pin wide body SOIC	-20 to 85	1000 pieces per reel



*Variant is in production but has been determined to be LAST TIME BUY. This classification indicates that the variant is obsolete and notice has been given. Sale of the variant is currently restricted to existing customer applications. The variant should not be purchased for new design applications because of obsolescence in the near future. Samples are no longer available. Status date change November 2, 2009. Deadline for receipt of LAST TIME BUY orders is April 30, 2010.

Absolute Maximum Ratings

Characteristic	Symbol	Notes	Rating	Unit
Logic Supply Voltage	V_{DD}		7	V
Input Voltage Range	V_{IN}	Caution: CMOS devices have input-static protection, but are susceptible to damage when exposed to extremely high static-electrical charges.	-0.3 to $V_{DD} + 0.3$	V
Output Voltage	V_{OUT}		50	V
Continuous Output Current	I_{OUT}		500	mA
Power Dissipation	P_D	A package	2.1	W
		LW package	1.5	W
Operating Ambient Temperature	T_A	Range E	-40 to 85	°C
		Range S	-20 to 85	°C
Maximum Junction Temperature	$T_J(max)$		150	°C
Storage Temperature	T_{stg}		-55 to 150	°C

ELECTRICAL CHARACTERISTICS¹ Unless otherwise noted: T_A = 25°C, logic supply operating voltage V_{dd} = 3.0 V to 5.5 V

Characteristic	Symbol	Test Conditions	V _{dd} = 3.3 V			V _{dd} = 5 V			Units
			Min.	Typ.	Max.	Min.	Typ.	Max.	
Output Leakage Current	I _{CEX}	V _{OUT} = 50 V	–	–	10	–	–	10	µA
Collector–Emitter Saturation Voltage	V _{CE(SAT)}	I _{OUT} = 100 mA	–	–	1.1	–	–	1.1	V
		I _{OUT} = 200 mA	–	–	1.3	–	–	1.3	V
		I _{OUT} = 350 mA	–	–	1.6	–	–	1.6	V
Input Voltage	V _{IN(1)}		2.2	–	–	3.3	–	–	V
	V _{IN(0)}		–	–	1.1	–	–	1.7	V
Input Resistance	R _{IN}		50	–	–	50	–	–	kΩ
Serial Data Output Voltage	V _{OUT(1)}	I _{OUT} = –200 µA	2.8	3.05	–	4.5	4.75	–	V
	V _{OUT(0)}	I _{OUT} = 200 µA	–	0.15	0.3	–	0.15	0.3	V
Maximum Clock Frequency ²	f _c		10	–	–	10	–	–	MHz
Logic Supply Current	I _{DD(1)}	One output on, OE = L, ST = H	–	–	2.0	–	–	2.0	mA
	I _{DD(0)}	All outputs off, OE = H, ST = H, P1 through P8 = L	–	–	100	–	–	100	µA
Output Enable-to-Output Delay	t _{dis(BQ)}	V _{CC} = 50 V, R1 = 500 Ω, C1 ≤ 30 pF	–	–	1.0	–	–	1.0	µs
	t _{en(BQ)}	V _{CC} = 50 V, R1 = 500 Ω, C1 ≤ 30 pF	–	–	1.0	–	–	1.0	µs
Strobe-to-Output Delay	t _{p(STH-QL)}	V _{CC} = 50 V, R1 = 500 Ω, C1 ≤ 30 pF	–	–	1.0	–	–	1.0	µs
	t _{p(STH-QH)}	V _{CC} = 50 V, R1 = 500 Ω, C1 ≤ 30 pF	–	–	1.0	–	–	1.0	µs
Output Fall Time	t _f	V _{CC} = 50 V, R1 = 500 Ω, C1 ≤ 30 pF	–	–	1.0	–	–	1.0	µs
Output Rise Time	t _r	V _{CC} = 50 V, R1 = 500 Ω, C1 ≤ 30 pF	–	–	1.0	–	–	1.0	µs
Clock-to-Serial Data Out Delay	t _{p(CH-SQX)}	I _{OUT} = ±200 µA	–	50	–	–	50	–	ns

¹Positive (negative) current is defined as conventional current going into (coming out of) the specified device pin.

²Operation at a clock frequency greater than the specified minimum value is possible but not warranted.

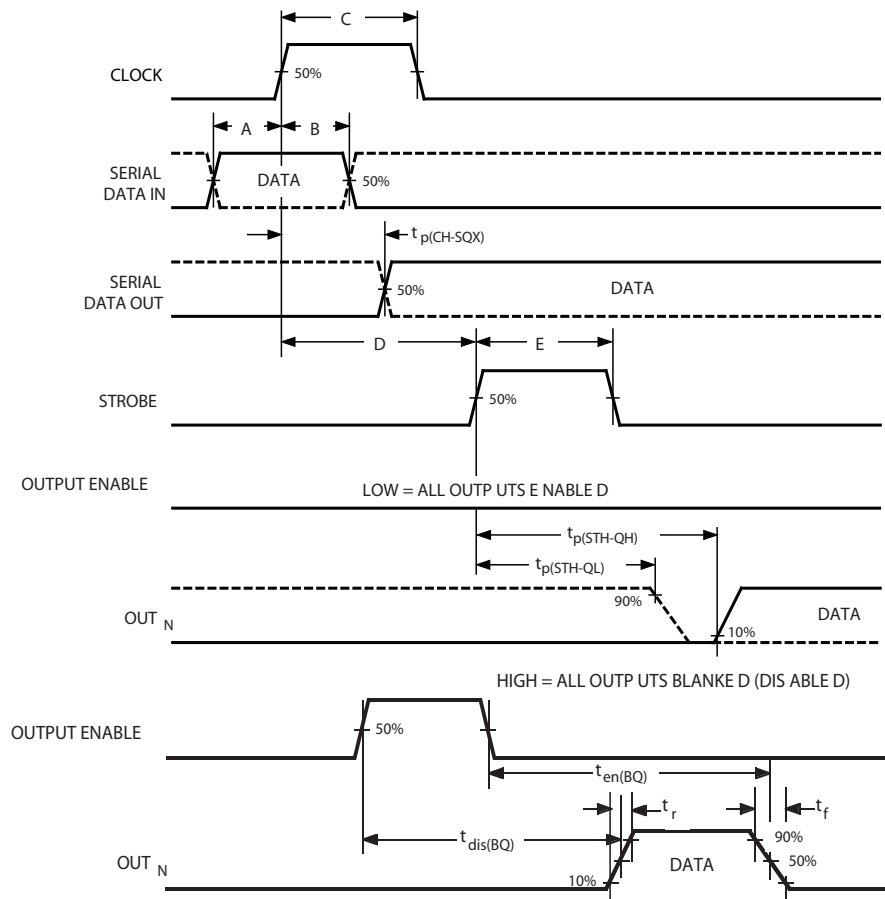
Truth Table

Serial Data Input	Clock Input	Shift Register Contents					Serial Data Output	Strobe Input	Latch Contents					Output Enable Input	Output Contents				
		I ₁	I ₂	I ₃	...	I ₈			L ₁	L ₂	L ₃	...	L ₈		O ₁	O ₂	O ₃	...	O ₈
H	⌋	H	R ₁	R ₂	...	R ₇	R ₇												
L	⌋	L	R ₁	R ₂	...	R ₇	R ₇												
X	⌋	R ₁	R ₂	R ₃	...	R ₈	R ₈												
		X	X	X	...	X	X	L	R ₁	R ₂	R ₃	...	R ₈						
		P ₁	P ₂	P ₃	...	P ₈	P ₈	H	P ₁	P ₂	P ₃	...	P ₈	L					P ₁ P ₂ P ₃ ... P ₈
					...				X	X	X	...	X	H					H H H ... H

L = Low Logic Level
H = High Logic Level
X = Irrelevant
P = Present State

R = Previous State
OE = Output Enable
ST = Strobe

Timing Requirements and Specifications
(Logic Levels are V_{DD} and Ground)



Key	Description	Symbol	Time (ns)
A	Data Active Time Before Clock Pulse (Data Set-Up Time)	$t_{su(D)}$	25
B	Data Active Time After Clock Pulse (Data Hold Time)	$t_h(D)$	25
C	Clock Pulse Width	$t_w(CH)$	50
D	Time Between Clock Activation and Strobe	$t_{su(C)}$	100
E	Strobe Pulse Width	$t_w(STH)$	50

NOTE: Timing is representative of a 10 MHz clock. Higher speeds may be attainable; operation at high temperatures will reduce the specified maximum clock frequency.

Powering-on with the inputs in the low state ensures that the registers and latches power-on in the low state (POR).

Serial Data present at the input is transferred to the shift register on the logical 0 to logical 1 transition of the CLOCK input pulse. On succeeding CLOCK pulses, the registers shift data information towards the SERIAL DATA OUTPUT. The SERIAL DATA must appear at the input prior to the rising edge of the CLOCK input waveform.

Information present at any register is transferred to the respective latch when the STROBE is high (serial-to-parallel conversion). The latches will continue to accept new data as long as the STROBE is held high. Applications where the latches are bypassed (STROBE tied high) will require that the OUTPUT ENABLE input be high during serial data entry.

When the OUTPUT ENABLE input is high, all of the output buffers are disabled (OFF). The information stored in the latches or shift register is not affected by the OUTPUT ENABLE input. With the OUTPUT ENABLE input low, the outputs are controlled by the state of their respective latches.

Maximum Allowable Duty Cycle, $I_{OUT} = 200\text{ mA}$, $V_{DD} = 5\text{ V}$

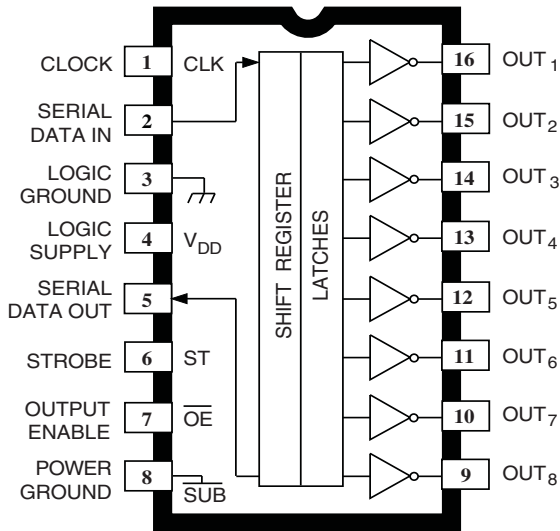
Number of Outputs ON	Ambient Temperature				
	25°C	40°C	50°C	60°C	70°C
A6821SA/A6821EA					
8	90%	79%	72%	65%	57%
7	100%	90%	82%	74%	65%
6	100%	100%	96%	86%	76%
5	100%	100%	100%	100%	91%
4	100%	100%	100%	100%	100%
3	100%	100%	100%	100%	100%
2	100%	100%	100%	100%	100%
1	100%	100%	100%	100%	100%
A6821SLW					
8	67%	59%	54%	49%	43%
7	77%	68%	62%	56%	49%
6	90%	79%	72%	65%	57%
5	100%	95%	86%	78%	68%
4	100%	100%	100%	98%	86%
3	100%	100%	100%	100%	100%
2	100%	100%	100%	100%	100%
1	100%	100%	100%	100%	100%

Terminal List Table

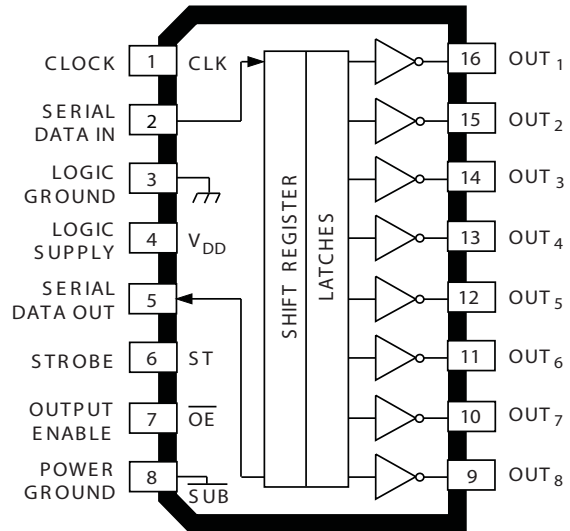
Name	Description	Pin
CLK	Clock	1
	Serial Data In	2
	Logic Ground*	3
VDD	Logic Supply	4
	Serial Data Out	5
ST	Strobe	6
\overline{OE}	Output Enable (active low)	7
SUB	Power Ground*	8
OUT ₈	Serial Data Output	9
OUT ₇	Serial Data Output	10
OUT ₆	Serial Data Output	11
OUT ₅	Serial Data Output	12
OUT ₄	Serial Data Output	13
OUT ₃	Serial Data Output	14
OUT ₂	Serial Data Output	15
OUT ₁	Serial Data Output	16

* There is an indeterminate resistance between logic ground and power ground.
For proper operation, these terminals must be externally connected together.

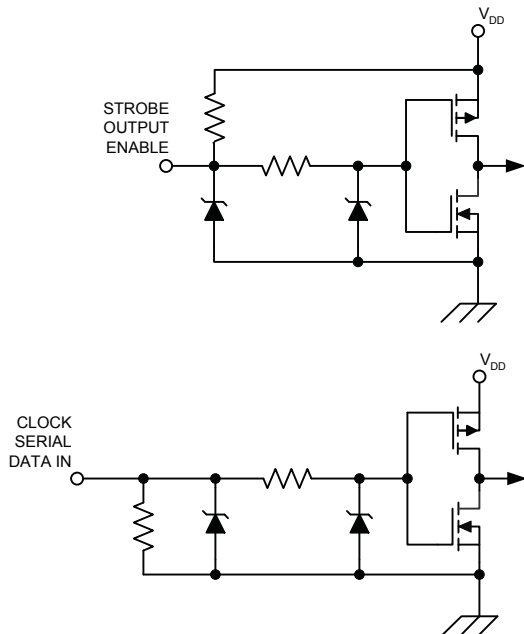
Package A
16-pin DIP



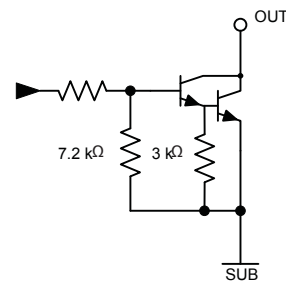
Package LW
16-pin Wide Body SOIC



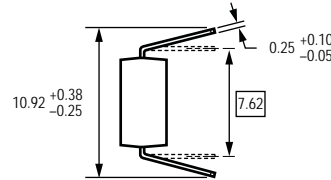
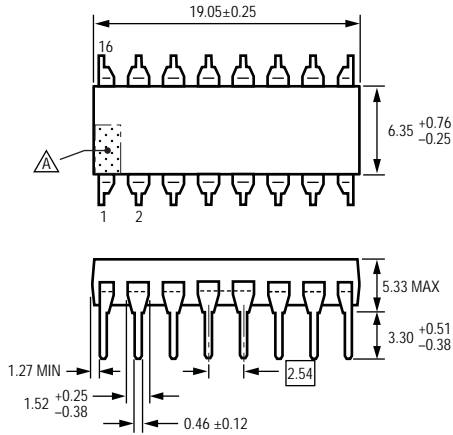
Typical Input Circuits



Typical Output Driver

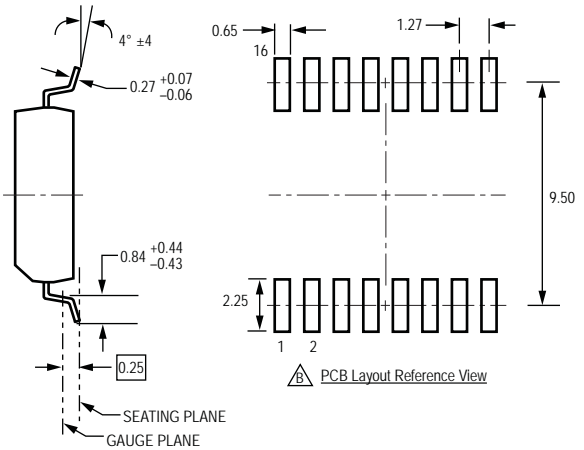
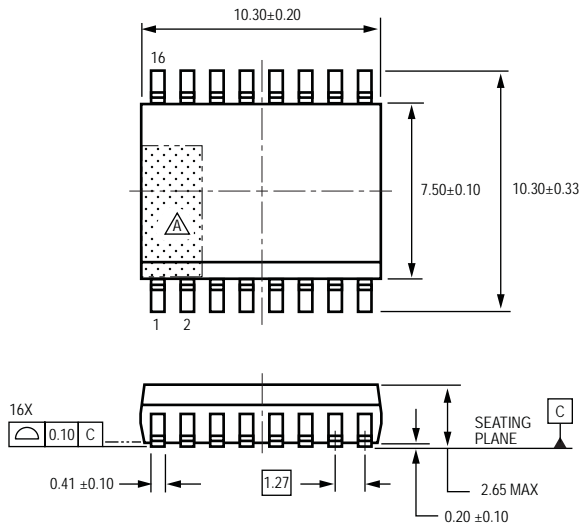


Package A
16-pin DIP



For Reference Only
(reference JEDEC MS-001 BB)
Dimensions in inches, metric dimensions (mm) in brackets, for reference only
Dimensions exclusive of mold flash, gate burrs, and dambar protrusions
Exact case and lead configuration at supplier discretion within limits shown
⚠ Terminal #1 mark area

Package LW
16-pin Wide Body SOIC



For Reference Only
Dimensions in millimeters
(reference JEDEC MS-013 AA)
Dimensions exclusive of mold flash, gate burrs, and dambar protrusions
Exact case and lead configuration at supplier discretion within limits shown

⚠ Terminal #1 mark area
⚠ Reference pad layout (reference IPC SOIC127P1030X265-16M)
All pads a minimum of 0.20 mm from all adjacent pads; adjust as necessary to meet application process requirements and PCB layout tolerances

Copyright ©2004-2009, Allegro MicroSystems, Inc.

The products described here are manufactured under one or more U.S. patents or U.S. patents pending.

Allegro MicroSystems, Inc. reserves the right to make, from time to time, such departures from the detail specifications as may be required to permit improvements in the performance, reliability, or manufacturability of its products. Before placing an order, the user is cautioned to verify that the information being relied upon is current.

Allegro's products are not to be used in life support devices or systems, if a failure of an Allegro product can reasonably be expected to cause the failure of that life support device or system, or to affect the safety or effectiveness of that device or system.

The information included herein is believed to be accurate and reliable. However, Allegro MicroSystems, Inc. assumes no responsibility for its use; nor for any infringement of patents or other rights of third parties which may result from its use.

For the latest version of this document, visit our website:

www.allegromicro.com

