

NX30P6093A

High-voltage I²C controlled OVP load switch with OTG

Rev. 2.1 — 6 April 2022

Product data sheet

1 General description

The NX30P6093A is a 5.6A I²C controlled overvoltage protection Load switch for USB Type-C and PD applications. It includes undervoltage lockout, overvoltage lockout and overtemperature protection circuits, designed to automatically isolate the power switch terminals when a fault condition occurs. It features input pin impedance detection function, providing USB power supply pin status to system to avoid short circuit damage for the Type-C port power supply pin.

NX30P6093A has a default overvoltage protection threshold, and the OVLO threshold can be adjusted by both external resistor divider on ADJ pin and internal I²C register. A 13ms debounce time is deployed every time before the device is switched ON, followed by a soft start to limit the inrush current.

USB OTG is supported when the plugged accessory is recognized as an OTG device by system and a 5V source is applied on VOUT pin of NX30P6093A. The current capability in USB OTG mode is limited to max 1.5A.

Designed for operation from 2.8V to 20.0V, it can be used in USB Type-C and PD power control applications to offer essential protection and enhance system reliability.

NX30P6093A is offered in a small 20-bump 1.7 x 2.16 mm, 0.4mm pitch WLCSP package.

2 Features and benefits

- Wide supply voltage range for VIN from 2.8V to 20.0V
- System Power supply VDD from 3.0V to 4.5V
- I_{SW} maximum 5.6A continuous current for OVP mode
- Support 1.5A USB OTG
- 29V tolerance on VIN pin
- 16mΩ (typical) ultra-low ON resistance
- Adjustable VIN overvoltage protection by both external resistor and I²C
- Built-in slew rate control for inrush current limit
- Integrated current source for VIN pin impedance detection
- Protection circuitry
 - Overtemperature protection
 - Overvoltage protection
 - Undervoltage lockout
- Surge protection:
 - IEC61000-4-5 exceeds ±100V on VIN
- ESD protection
 - IEC61000-4-2 contact discharge exceeds 8kV on VIN
 - IEC61000-4-2 air discharge exceeds 15kV on VIN



- HBM ANSI/ESDA/JEDEC JS-001 Class 2 exceeds 3kV on all pins
- MM Class B exceeds 100 V on all the pins
- Specified from -40 °C to +85 °C

3 Applications

- Smart and feature phones
- Tablets, eBooks
- Notebook

4 Ordering information

Table 1. Ordering information

Type number	Package			Version
	Temperature range	Name	Description	
NX30P6093AUK	-40 °C to +85 °C	WLCSP20	wafer level chip-scale package; 20 bumps; 1.70 mm x 2.16 mm x 0.525 mm body (backside coating included)	SOT1397-6

4.1 Ordering options

Table 2. Ordering options

Type number	Orderable part number	Package	Packing method	Minimum order quantity	Temperature
NX30P6093AUK	NX30P6093AUKZ	WLCSP20	REEL 7" Q1/T1 *SPECIAL MARK CHIPS DP	4000	T _{amb} = -40 °C to +85 °C

5 Marking

Table 3. Marking

Line	Marking	Description
1	X30AP2	basic type name
2	mmmmmn	wafer lot code (mmmmm) and wafer number (nn)
3	ZAYWW	manufacturing code: Z = foundry location A = assembly location Y = assembly year code WW = assembly week code
4	CCC-RRR	Die X-Y Coordinate

6 Functional diagram

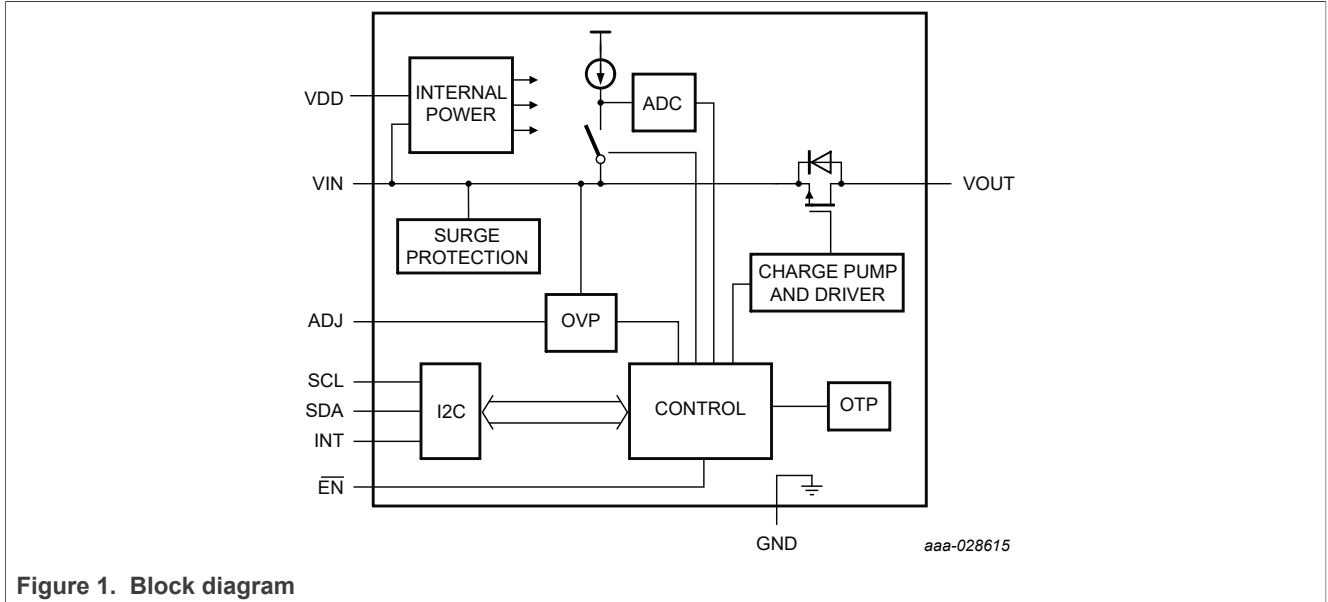


Figure 1. Block diagram

7 Pinning information

7.1 Pinning

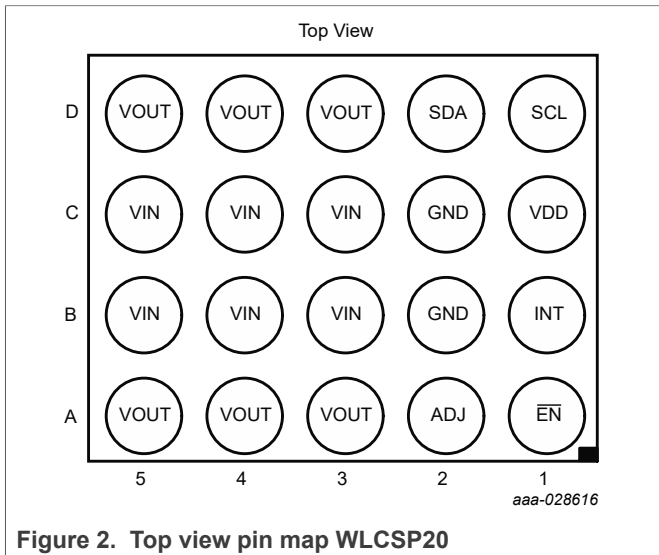


Figure 2. Top view pin map WLCSP20

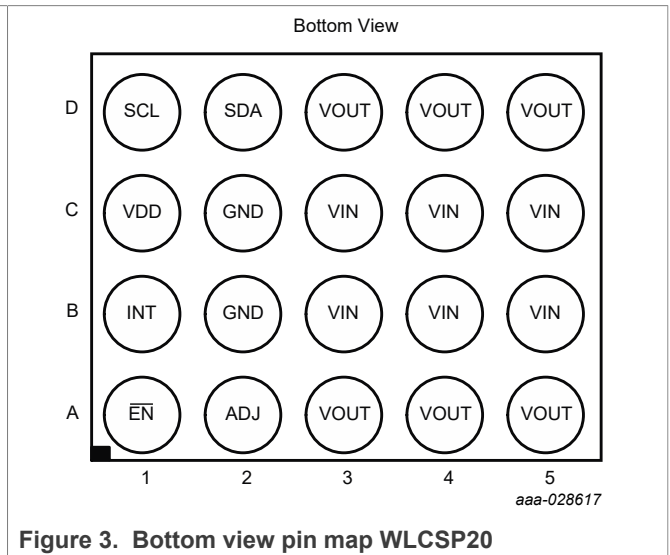


Figure 3. Bottom view pin map WLCSP20

7.2 Pin description

Table 4. Pin description

Symbol	Pin	Type	Description
VIN	B3, B4, B5 C3, C4, C5	Power I/O	Power Input pins, these pins should be connected together on PCB
VOUT	A3, A4, A5 D3, D4, D5	Power I/O	Power Input pins, these pins should be connected together on PCB
GND	B2, C2	Ground	Ground pin, these pins should be connected to system ground with good connection for surge protection discharge current
$\overline{\text{EN}}$	A1	Input	Enable pin, active low. When it is tied to high, the device enters low power standby mode and VOUT is disconnected from VIN. Internal pull down resistor integrated
INT	B1	Output	I ² C-bus interface interrupt to be connected to the I ² C-bus master of the host processor
VDD	C1	Power	System Power supply for chip
SDA	D2	I/O	I ² C-bus interface serial data to be connected to the I ² C-bus master of the host processor
SCL	D1	Input	I ² C-bus interface serial clock to be connected to the I ² C-bus master of the host processor
ADJ	A2	Input	External OVLO adjust pin. Connect to OVLO resistor divider when select OVLO level by this pin. Connect to ground when it is not used, in this case OVLO determined internally

8 Functional description

NX30P6093A is an integrated device with three major functions: programmable overvoltage protection, VIN pin impedance detection and USB OTG. It protects USB Type-C power supply pin and internal system by isolating high voltage when it exceeds OVLO threshold. The VIN pin impedance detection provides a status monitoring for system to avoid damage by short circuit of USB Type-C power supply pin.

The impedance detection feature is activated when $V_{IN} < V_{UVLO}$, in this case NX30P6093A supplied by system power VDD. When $V_{IN} > V_{UVLO}$, this feature is disabled automatically.

USB OTG is supported when the plugged accessory is recognized as an OTG device by system and a 5V source is applied on VOUT pin of NX30P6093A.

8.1 $\overline{\text{EN}}$ input

A HIGH on $\overline{\text{EN}}$ disables the channel MOSFET, all protection circuits, and VIN impedance detection circuits, putting the device into a low power mode. A LOW on $\overline{\text{EN}}$ enables the protection circuits and the MOSFET. There is an internal 1 M Ω pull-down resistor on the $\overline{\text{EN}}$ pin to ensure the power switch conducting in a dead-battery situation. A 13ms debounce time has been deployed before device turning on.

8.2 OTG Mode

USB OTG is supported when the plugged accessory is recognized as an OTG device by system and a 5V source is applied on VOUT pin of NX30P6093A. The $\overline{\text{EN}}$ pin and VOUT_EN bit in register 0x01 must to be set LOW to support USB OTG mode. If $\overline{\text{EN}}$ pin or VOUT_EN bit is HIGH, the current is conducted by body diode that will induce much higher power dissipation due to body diode forward voltage and more heating in NX30P6093A. The overtemperature protection will not disable the main switch for the same reason, but only report interrupt to system. In this case, the system should turn off the power source of USB OTG to protect the device and system.

8.3 Slew rate tune

The slew rate control is integrated to avoid inrush current when the load switch turns on. It protects the internal circuits or blocks follow NX30P6093A. In order to increase the design flexibility on system level, the slew rate can be tuned through I²C through register 0x0F as follows:

Table 5. Slew rate tune setting by I²C register

Register Value SRT[2:0]	Switch turn on slew rate (TYP)
000	0.42ms
001	0.44ms
010	0.5ms
011	0.65ms
100	0.9ms (Default)
101	1.5ms
110	2.8ms
111	5.6ms

8.4 Undervoltage lockout

When $\overline{\text{EN}}$ is LOW and $V_{\text{IN}} < V_{\text{UVLO}}$, the Undervoltage Lockout (UVLO) circuit disables the power MOSFET. Once V_{IN} exceeds V_{UVLO} , if no other protection circuit is active and $\overline{\text{EN}}$ is LOW, the MOSFET is turned on automatically regardless of the status of VOUT_EN in register 0x01h. If $\overline{\text{EN}}$ is HIGH, the MOSFET remains at off and at low power mode.

8.5 Overvoltage lockout

When $\overline{\text{EN}}$ is LOW and $V_{\text{IN}} > V_{\text{OVLO}}$, the overvoltage lockout (OVLO) circuit disables the power MOSFET. The OV_FLG in register 0x03h is set as "1" and an interrupt is issued to notify the host. Once V_{IN} drops below V_{OVLO} and no other protection circuit is active, the power MOSFET resumes operation.

The OVLO feature can be adjusted by both external resistor divider with ADJ pin and internal I²C register. The sequences are:

- When NX30P6093A is powering up, the initial OVLO threshold is set by ADJ pin. If there is a resistor divider connected to ADJ pin, the OVLO threshold is set by resistor divider value. If ADJ is floating or pull to ground, the OVLO threshold is set by default value in [Table 6](#).

- After power up, the OVLO threshold can be adjusted by system through the I²C register 0x05h according to the flow chart in [Figure 4](#).

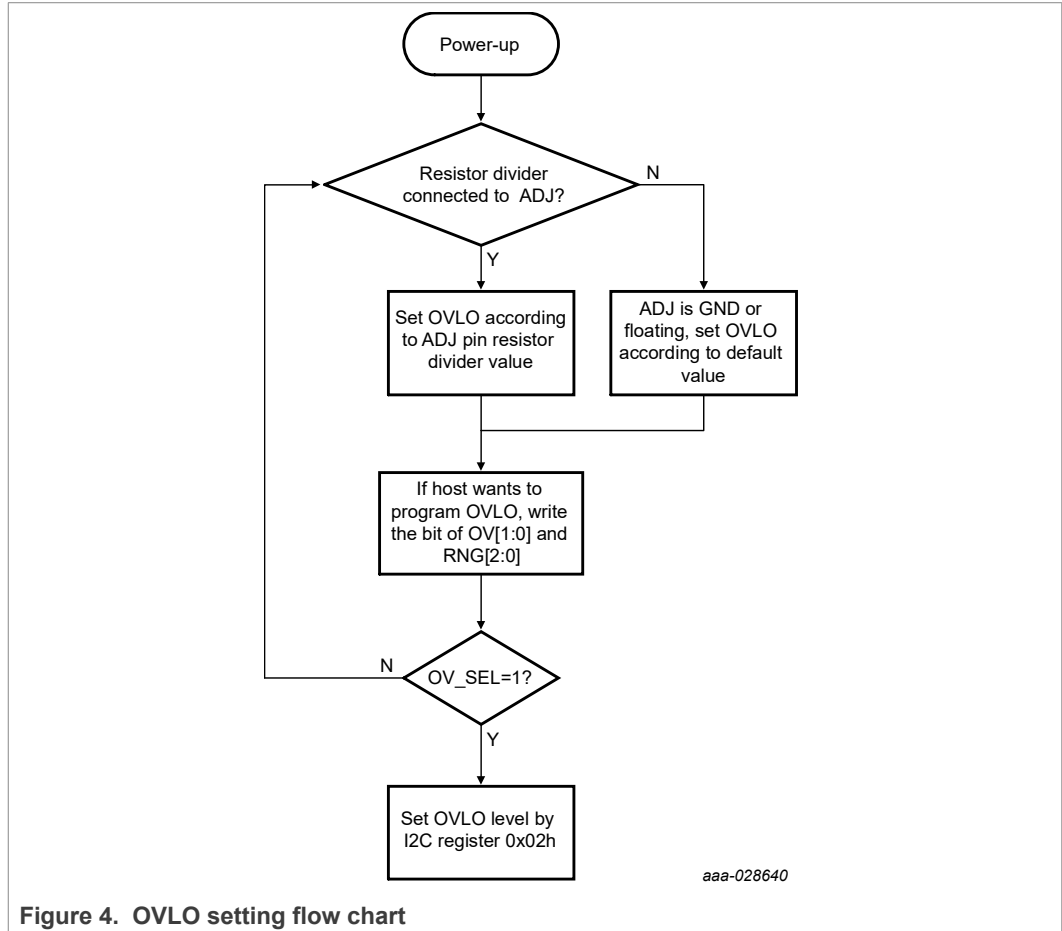


Figure 4. OVLO setting flow chart

When the overvoltage threshold is set by the ADJ pin with the connected resistor divider (see [Figure 8](#)), the overvoltage threshold is adjustable from 4V to 23V with below equation

$$V_{ovlo} = V_{th}(ovlo) \times (R1 + R2) / (R2) \quad (1)$$

If the voltage on ADJ pin is below 0.1V, the device uses internal default OVLO threshold.

When the overvoltage threshold is set by system through I²C-bus, it is set by bit0 and bit1 of register 0x05h. The OVLO thresholds are shown in [Table 6](#).

Table 6. OVLO threshold setting by I²C register

Register Value OV[1:0]	OVLO Threshold
00	6.8V (default)
01	11.5V
10	17V
11	23V

In additional, NX30P6093A provides two additional OVLO thresholds by bit0, bit1 of register 0x0Eh. The additional OVLO thresholds are shown in [Table 7](#).

Table 7. Additional OVLO threshold setting by I²C register

Register Value AOVP[1:0]	OVLO Threshold
00	OVLO set by Table 6 .
01	OVLO set by Table 6 .
10	10V
11	14V

Furthermore when the OVLO threshold is set by I²C register, it can be fine tuned by bit6-bit4 of register 0x05h. The fine tune values are shown in [Table 8](#).

Table 8. OVLO threshold fine tune setting by I²C register

Register Value RNG[2:0]	OVLO Threshold Fine Tune value
000	-600mV
001	-400mV
010	-200mV
011	0mV (default)
100	+200mV
101	+400mV
110	+600mV
111	+800mV

8.6 Overtemperature protection

When \overline{EN} is LOW and the device temperature exceeds 140 °C the Overtemperature protection (OTP) circuit disables the power MOSFET and an interrupt is issued by setting OT_FLG as "1" in register 0x03h. Once the device temperature decreases below 115 °C and no other protection circuit is active, the state of the N-channel MOSFET is controlled by the \overline{EN} pin again.

8.7 Short circuit protection

NX30P6093A has short circuit protection; after the MOSFET is fully turned on and when the current through it exceeds 10.5A typically, it turns the MOSFET off to protect the device and system. An interrupt is issued when short circuit protection is triggered by setting OC_FLG as "1" in register 0x03h. Once the short circuit condition is removed and no other protection circuit is active, the state of the N-channel MOSFET is controlled by the \overline{EN} pin again.

8.8 VIN impedance detection for moisture and short detection

Moisture is detected by sensing the change in VIN impedance Z_{IN} , sampled through $VIN = I_{SOURCE} * Z_{IN}$ as shown in [Figure 5](#). VIN is implemented and sensed by applying programmable current source I_{SOURCE} into Z_{IN} , and comparing with the programmable target threshold V_{TAG} . V_{TAG} should be selected according to the designed moisture impedance. For detailed implementation and parameter settings please refer to <https://www.nxp.com/docs/en/application-note/AN13609.pdf>.

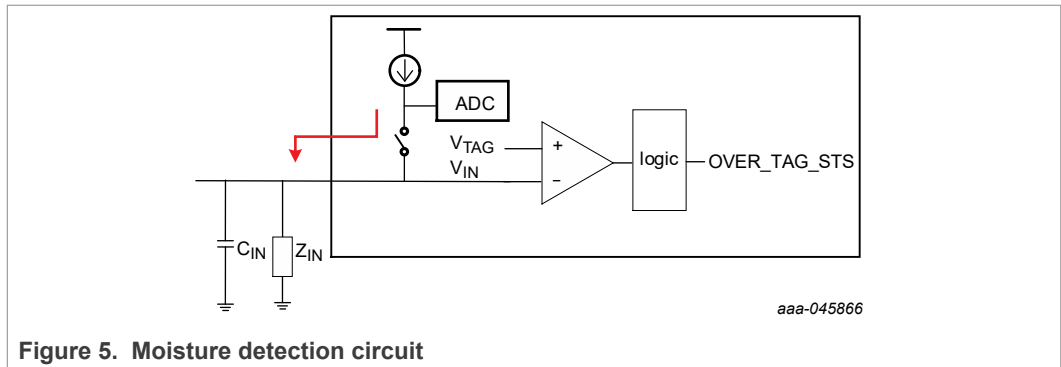


Figure 5. Moisture detection circuit

VIN impedance detection function can only begin when \overline{EN} is LOW and $VIN < V_{UVLO}$. While in VIN detection mode, at any time when VIN pin exceeds V_{UVLO} , NX30P6093A exits from VIN detection mode to OVP mode immediately.

With the help of a host, NX30P6093A can start the VIN impedance detection according to the following sequence. First, set both VOUT_EN and DETC_EN bit to “1”. After wake-up time t_{WAKEUP} , the host must then write I_{SOURCE} , t_{DET} , t_{DUTY} and VTAG voltage from registers 0x06h, 0x07h and 0x09h through I²C.

VIN detection ADC result is valid only after t_{DET} times out, setting TMR_OUT_STS to “1” and triggering an interrupt. The host can also read VIN detected Voltage $VIN[7:0]$ at register 0x08h. At the same time NX30P6093A compares the detected VIN voltage against the VTAG voltage $TVIN[7:0]$ in register 0x09h.

When the detected voltage is less than the VTAG voltage, the OVER_TAG_STS sets to “1” in register 0x02h and triggers an interrupt. Table 9 shows the current source values, which can be programmed by bit3-bit0 of register 0x06h. Please note there are several internal circuits connected to VIN pin, for example, Surge protection and UVLO resistor ladder. That generates a leakage current according to different VIN voltage specified in Table 28 as IDET_LEACKAGE.

Table 9. Current source set by I²C register

Register Value ISRC[3:0]	Current source value
0000	0µA (default)
0001	1µA
0010	2µA
0011	3µA
0100	4µA
0101	5µA
0110	10µA
0111	20µA
1000	50µA
1001	100µA
1010	200µA
1011	500µA
1100	1000µA
1101	2000µA

Table 9. Current source set by I²C register...continued

Register Value ISRC[3:0]	Current source value
1110	5000μA
1111	10000μA

NX30P6093A turns on the I_{source} according to the following system required timing sequence.

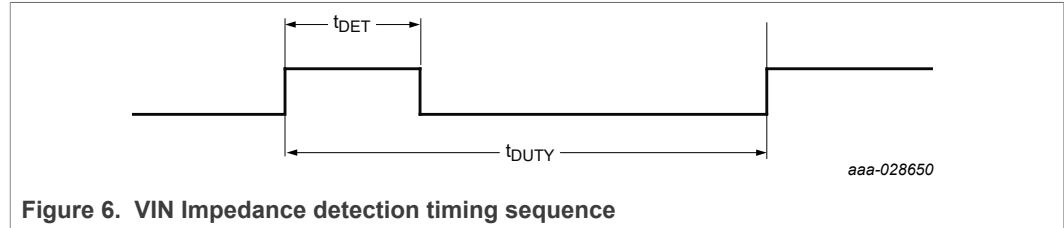


Figure 6. VIN Impedance detection timing sequence

The current source turn on pulse width t_{DET} is set by bit7 - bit4 of register 0x07h as follows.

Table 10. Current source turn-on pulse width setting by I²C register

Register Value TDET[3:0]	I _{source} Turn on Pulse Width (t _{DET})
0000	200μs (default)
0001	400μs
0010	1000μs
0011	2000μs
0100	4000μs
0101	10000μs
0110	20000μs
0111	40000μs
1000	100000μs
1001	200000μs
1010	400000μs
1011	1000000μs
1100	2000000μs
1101	4000000μs
1110	10000000μs
1111	Always on

The detection duty cycle is set by bit3 to bit0 of register 0x07h according to the following table.

Table 11. Detection duty cycle setting by I²C register

Register Value DUTY[3:0]	Detection duty cycle (t _{DUTY})
0000	single pulse (default)
0001	10ms

Table 11. Detection duty cycle setting by I²C register...continued

Register Value DUTY[3:0]	Detection duty cycle (t _{DUTY})
0010	20ms
0011	50ms
0100	100ms
0101	200ms
0110	500ms
0111	1000ms
1000	2000ms
1001	3000ms
1010	6000ms
1011	12000ms
1100	30000ms
1101	60000ms
1110	120000ms
1111	300000ms

8.9 Interrupt

NX30P6093A has two types of interrupt. One is the interrupt generated by Flag register 0x03h, which includes the alarms of overvoltage, overtemperature and short circuit. The second type of interrupt is generated by Status register 0x02h. The following is a detailed description of the two interrupts.

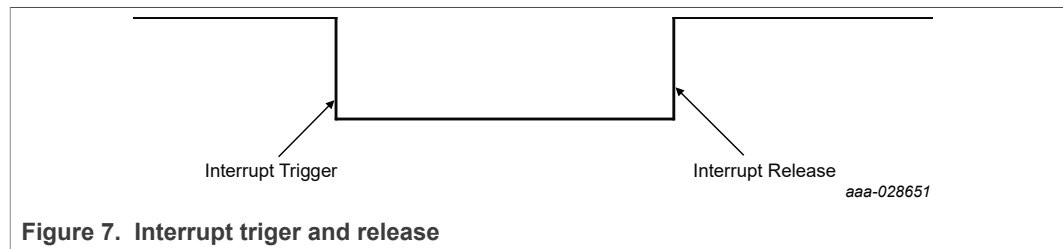


Figure 7. Interrupt trigger and release

- The interrupt trigger is by all 3 bits of Flag register (0x03h) and 4 bits of Status register (0x02h) except for OTG_STS. Whenever one of them is changed from "0" to "1", the interrupt will be triggered. An event will be latched and only the first occurrence triggers an interrupt (if not masked). Reoccurring events will not trigger an additional interrupt.
- The interrupt release of Flag register is by read on clear, t_{DET} timer start, the interrupt status over 1000ms or NX30P6093A disabled by EN. For OV_FLG and OT_FLG interrupt, if it is not read by host and the fault condition is back to normal in 1000ms, the INT will be released. The bit values of the register 0x03h are cleared only by host read or VIN drop below UVLO.
- The interrupt release of Status register is by read on clear, t_{DET} timer start, the interrupt status over 1000ms or NX30P6093A disabled by EN. The 4 bit values are the real status of the circuit status and will not be cleared when host read them after interrupt.

8.10 I²C-bus interface

NX30P6093A implements I²C-bus slave interface which interfaces with the host system. The host processor can issue commands, monitor status and receive response through this bus. A detailed description of the I²C-bus specification, with applications, is given in *UM10204, "I²C-bus specification and user manual"*. NX30P6093A supports I²C-bus data transfers in both Standard-mode (100 kbit/s), Fast-mode (400 kbit/s) and Fast-mode Plus (1000 kbit/s).

As an exception to the I²C-bus specification, the NX30P6093A does not support the I²C 'General Call' address (and therefore does not issue an Acknowledge), clock stretching, Software Reset command, nor 10-bit address. The various registers, address offsets and bit definitions are shown in [Table 12](#).

The I²C address at Power-On Reset is as follows:

- Write address: 0x6C
- Read address: 0x6D

Table 12. NX30P6093A Register map

Addr	Name	Type	Reset Value	Bit 7	Bit 6	Bit 5	Bit 4	Bit 3	Bit 2	Bit 1	Bit 0	
0x00h	Device ID Register	R	-	Vendor ID					Version ID			
0x01h	Enable Register	R/W	00h	VOUT_EN	DETC_EN	Reserved	Reserved	Reserved	Reserved	Reserved	Reserved	
0x02h	Status Register	R	00h	PWRON_STS	OVER_TAG_STS	TMR_OUT_STS	SWON_STS	OTG_STS	Reserved	Reserved	Reserved	
0x03h	Flag	C/R	00h	Reserved	Reserved	Reserved	Reserved	Reserved	OV_FLG	OC_FLG	OT_FLG	
0x04h	Interrupt Mask	R/W	F7h	PWRON_STS	OVER_TAG_STS	TMR_OUT_STS	SWON_STS	Reserved	OV_FLG	OC_FLG	OT_FLG	
0x05h	OVLO Trigger level	R/W	30h	Reserved	RNG2	RNG1	RNG0	OV_SEL	Reserved	OV1	OV0	
0x06h	I _{source} to VIN	R/W	00h	Reserved	Reserved	Reserved	Reserved	ISRC3	ISRC2	ISRC1	ISRC0	
0x07h	I _{source} working time	R/W	00h	TDET3	TDET2	TDET1	TDET0	DUTY3	DUTY2	DUTY1	DUTY0	
0x08h	Voltage to VIN	R	00h	VIN7	VIN6	VIN5	VIN4	VIN3	VIN2	VIN1	VIN0	
0x09h	Set Tag on VIN	R/W	00h	TVIN7	TVIN6	TVIN5	TVIN4	TVIN3	TVIN2	TVIN1	TVIN0	
0x0Ah	Reserved	R/W	00h	Reserved	Reserved	Reserved	Reserved	Reserved	Reserved	Reserved	Reserved	
0x0Bh	Reserved	R/W	00h	Reserved	Reserved	Reserved	Reserved	Reserved	Reserved	Reserved	Reserved	
0x0Ch	Reserved	R/W	00h	Reserved	Reserved	Reserved	Reserved	Reserved	Reserved	Reserved	Reserved	
0x0Dh	Reserved	R/W	00h	Reserved	Reserved	Reserved	Reserved	Reserved	Reserved	Reserved	Reserved	
0x0Eh	Additional OVP	R/W	00h	Reserved	Reserved	Reserved	Reserved	Reserved	Reserved	AOVP1	AOVP0	
0x0Fh	Slew rate Tune	R/W	04h	Reserved	Reserved	Reserved	Reserved	Reserved	SRT2	SRT1	SRT0	

8.10.1 Device ID Register (Address 0x00h)

Table 13. Device ID Register

Bit	Name	Type	Reset Value	Description
7:3	Vendor ID	R	00001	NXP Vendor ID 00001
2:0	Version ID	R	001	Device revision number 001

8.10.2 Enable Register (Address 0x01h)

Table 14. Enable Register

Bit	Name	Type	Reset Value	Description
7	VOUT_EN	R/W	0h	0h = Main switch MOSFET turned on 1h = Main switch MOSFET turned off
6	DETC_EN	R/W	0h	0h = ISOURCE VIN impedance detection turn off 1h = ISOURCE VIN impedance detection turn on
5:0	Reserved	R/W	0h	0h = default

8.10.3 Status Register (Address 0x02h)

Table 15. Status Register

Bit	Name	Type	Reset Value	Description
7	PWRON_STS	R	0h	0h = VIN voltage less than V _{UVLO} 1h = VIN voltage larger than V _{UVLO} . An interrupt will be issued
6	OVER_TAG_STS	R	0h	0h = VIN detected voltage larger than Tag voltage 1h = VIN detected voltage less than Tag voltage. An interrupt will be issued, please refer to Section 8.8 for the details
5	TMR_OUT_STS	R	0h	0h = t _{DET} timer is not out 1h = t _{DET} timer out. An interrupt will be issued, please refer to Section 8.8 for the details
4	SWON_STS	R	0h	0h = The main switch is turn off 1h = The main switch is turn on. An interrupt will be issued
3	OTG_STS	R	0h	0h = The device is not in OTG mode 1h = The device is in OTG mode
3:0	Reserved	R	0h	0h = default

8.10.4 Flag Register (Address 0x03h)

This is the interrupt register, when one of the FLAGS is "1", the $\overline{\text{INT}}$ pin will be pulled LOW. Please refer to [Section 8.8](#).

Table 16. FLAG Register

Bit	Name	Type	Reset Value	Description
7:3	Reserved	C/R	0h	0h = Default
2	OV_FLG	C/R	0h	Overvoltage protection flag When overvoltage protection triggered, set this bit as "1"
1	OC_FLG	C/R	0h	Short circuit protection flag When short circuit protection triggered, set this bit as "1"
0	OT_FLG	C/R	0h	Over temperature protection flag When Over temperature protection triggered, set this bit as "1"

8.10.5 Interrupt Mask Register (Address 0x04h)

This is the register to enable masking of the interrupts of both Flag Register and Status Register.

Table 17. Interrupt Mask Register

Bit	Name	Type	Reset Value	Description
7	PWRON_STS	R/W	1h	0h = mask PWRON_STS interrupt 1h = Do not mask PWRON_STS interrupt
6	OVER_TAG_STS	R/W	1h	0h = mask OVER_TAG_STS interrupt 1h = Do not mask OVER_TAG_STS interrupt
5	TMR_OUT_STS	R/W	1h	0h = mask TMR_OUT_STS interrupt 1h = Do not mask TMR_OUT_STS interrupt
4	SWON_STS	R/W	1h	0h = mask OVER_TAG_STS interrupt 1h = Do not mask OVER_TAG_STS interrupt
3	Reserved	R/W	0h	0h = Default
2	OV_FLG	R/W	1h	0h = mask OV_FLG interrupt 1h = Do not mask OV_FLG interrupt
1	OC_FLG	R/W	1h	0h = mask OC_FLG interrupt 1h = Do not mask OC_FLG interrupt
0	OT_FLG	R/W	1h	0h = mask OT_FLG interrupt 1h = Do not mask OT_FLG interrupt

8.10.6 OVLO trig level Register (Address 0x05h)

This is the register to set OVLO trig level and also another 2 bits for enable signal.

Table 18. OVLO trig level Register

Bit	Name	Type	Reset Value	Description
7	Reserved	R/W	0h	0h = Default
6:4	RNG[2:0]	R/W	03h	OVLO fine tune bits, please refer to Section 8.5
3	OV_SEL	R/W	0h	0h= OVLO level adjusted by ADJ pin 1h=OVLO level adjusted by I ² C register bit
2	Reserved	R/W	0h	0h = Default
1:0	OV[1:0]	R/W	0h	OVLO threshold set bits, please refer to Section 8.5

8.10.7 I_{source} to VIN Register (Address 0x06h)

This is the register to set I_{source} value for VIN impedance detection, please refer to [Section 8.8](#).

Table 19. I_{source} to VIN Register

Bit	Name	Type	Reset Value	Description
7:4	Reserved	R/W	0h	0h = Default
3:0	ISRC[3:0]	R/W	0h	I _{source} current value setting bits

8.10.8 I_{source} timing Register (Address 0x07h)

This is the register to set I_{source} timing for VIN impedance detection, please refer to [Section 8.8](#).

Table 20. I_{source} timing Register

Bit	Name	Type	Reset Value	Description
7:4	TDET[3:0]	R/W	0h	I _{source} current pulse width setting bits
3:0	DUTY[3:0]	R/W	0h	VIN Impedance detection duty cycle setting bits

8.10.9 Voltage on VIN Register (Address 0x08h)

This is the register to store the VIN voltage detection results from ADC, please refer to [Section 8.8](#).

Table 21. Voltage on VIN Register

Bit	Name	Type	Reset Value	Description
7:0	VIN[7:0]	R	0h	VIN voltage detection results. The detected VIN voltage can be calculated as: $VIN[7:0] = \frac{V_{DET}}{2.7} \times 256$ Where, VIN[7:0] is decimal value of this register.

8.10.10 Set tag on VIN Register (Address 0x09h)

This is the register to set the tag of VIN voltage in VIN impedance detection, please refer to [Section 8.8](#).

Table 22. Set tag on VIN Register

Bit	Name	Type	Reset Value	Description
7:0	TVIN[7:0]	R/W	00h	Set tag of VIN voltage bits. The TVIN [7:0] can be calculated as: $TVIN[7:0] = \frac{V_{TAG}}{2.7} \times 256$ Where, TVIN is decimal data and should be transfer to binary to TVIN[7:0]

8.10.11 Additional OVP Register (Address 0x0Eh)

This is the register to set additional OVLO trip level; please refer to [Section 8.5](#) for more details.

Table 23. Additional OVP Register

Bit	Name	Type	Reset Value	Description
7:2	Reserved	R/W	00h	00h = Default
1:0	AOVP[1:0]	R/W	00h	Set additional OVLO trip level

8.10.12 Slew rate tune Register (Address 0x0Fh)

This is the register to set the load switch slew rate; please refer to [Section 8.3](#) for more details.

Table 24. Additional OVP Register

Bit	Name	Type	Reset Value	Description
7:3	Reserved	R/W	00h	00h = Default
2:0	SRT[2:0]	R/W	02h	Set slew rate tune

9 Application diagram

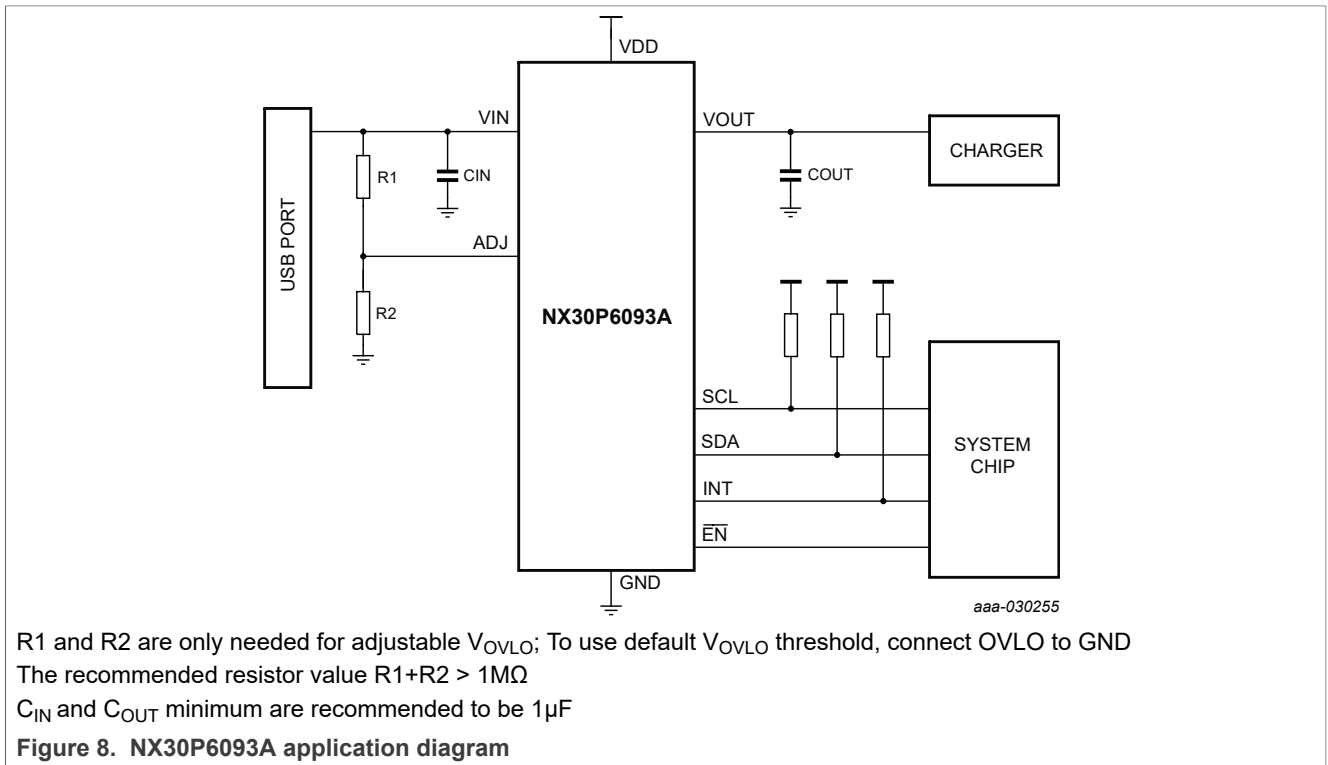
The NX30P6093 is typically used on a USB port charging path in a portable, battery operated device. The I²C signals require an external pull-up resistor which should

be connected to a supply voltage matching the logic input pin supply level that it is connected to.

When the default internal OVLO threshold is used, the ADJ pin shall be shorted to GND. While OVLO threshold is adjusted by ADJ pin, a resistor divider shall be connected.

In order to have better VIN pin impedance detection range, it is recommended that the total resistance of R1 and R2 are larger than 1MΩ.

For the best performance, it is recommended to keep input and output trace short and capacitors as close to the device as possible. Regarding the thermal performance, it is recommended to increase the PCB area around VIN and VOUT pins.



10 Limiting values

Table 25. Limiting values

In accordance with the Absolute Maximum Rating System (IEC 60134). Voltages are referenced to GND (ground = 0 V).

Symbol	Parameter	Conditions	Min	Max	Unit
V _I	input voltage	VIN	[1] -2	+29	V
		VDD	-0.3	+7.0	V
		VOUT, as an input pin in OTG mode	-0.3	+7.0	V
		ADJ	-0.3	VIN	V
		EN	[2] -0.3	+7.0	V
		SCL, SDA	-0.3	+7.0	V
V _O	output voltage	VOUT, as an output pin in OVP mode	-0.3	+22	V
		EN	-0.3	+7.0	V

Table 25. Limiting values...continued

In accordance with the Absolute Maximum Rating System (IEC 60134). Voltages are referenced to GND (ground = 0 V).

Symbol	Parameter	Conditions	Min	Max	Unit
I _{IK}	input clamping current	\overline{EN} : V _I < -0.5 V	-50	-	mA
I _{SK}	switch clamping current	V _{IN} ; V _{OUT} ; V _I < -0.5 V	-50	-	mA
I _{SW}	OVP mode continuous switch current	T _{amb} = 85 °C	-	5.6	A
	OVP mode peak switch current	100µs pulse, 2% duty cycle	-	7	A
	OTG mode continuous switch current	T _{amb} = 85 °C	-	1.5	A
T _{stg}	storage temperature		-65	+150	°C
P _{tot}	total power dissipation	[3]	-	1.7	W

[1] The -2V limiting value is 200ms non-repetitive pulse

[2] The minimum input voltage rating may be exceeded if the input current rating is observed.

[3] The (absolute) maximum power dissipation depends on the junction temperature T_j. Higher power dissipation is allowed in conjunction with lower ambient temperatures. The conditions to determine the specified values are T_{amb} = 25 °C and the use of a 4 layer PCB.

11 Recommended operating conditions

Table 26. Recommended operating conditions

Symbol	Parameter	Conditions	Min	Max	Unit
V _I	input voltage	V _{IN}	0	20	V
		V _{OUT} (OTG Mode input voltage)	4.5	5.5	V
		\overline{EN}	0	5.5	V
		V _{DD}	3.0	4.5	V
V _O	output voltage	INT	0	5.5	V
T _{j(max)}	maximum junction temperature		-40	+125	°C
T _{amb}	ambient temperature		-40	+85	°C

12 Thermal characteristics

Table 27. Thermal characteristics

Symbol	Parameter	Conditions	Typ	Unit
R _{th(j-a)}	thermal resistance from junction to ambient		[1][2] 58.6	K/W

[1] The overall R_{th(j-a)} can vary depending on the board layout. To minimize the effective R_{th(j-a)}, all pins must have a solid connection to larger Cu layer areas e.g. to the power and ground layer. In multi-layer PCB applications, the second layer should be used to create a large heat spreader area right below the device. If this layer is either ground or power, it should be connected with several vias to the top layer connecting to the device ground or supply. Try not to use any solder-stop varnish under the chip.

[2] R_{th(j-a)} is calculated based on JEDEX2S2P board. The actual R_{th(j-a)} value may vary in applications using different layer stacks and layouts.

13 Static characteristics

Table 28. Static characteristics

At recommended operating conditions; voltages are referenced to GND (ground = 0 V).

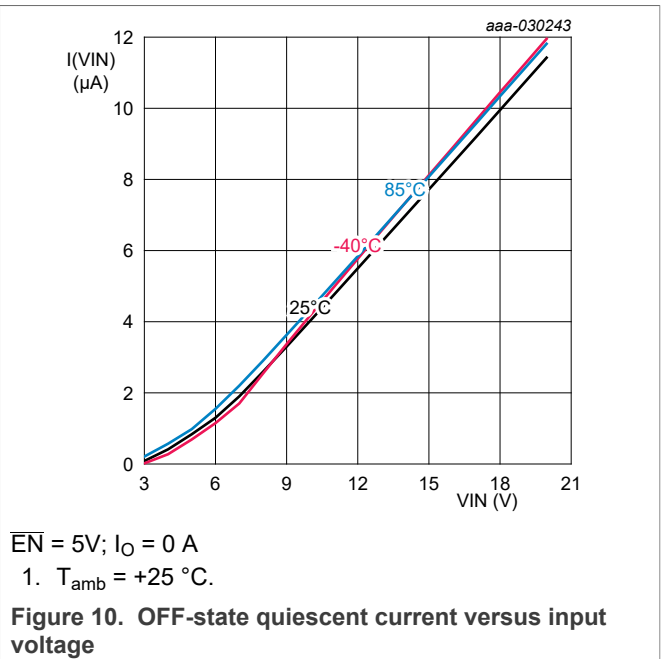
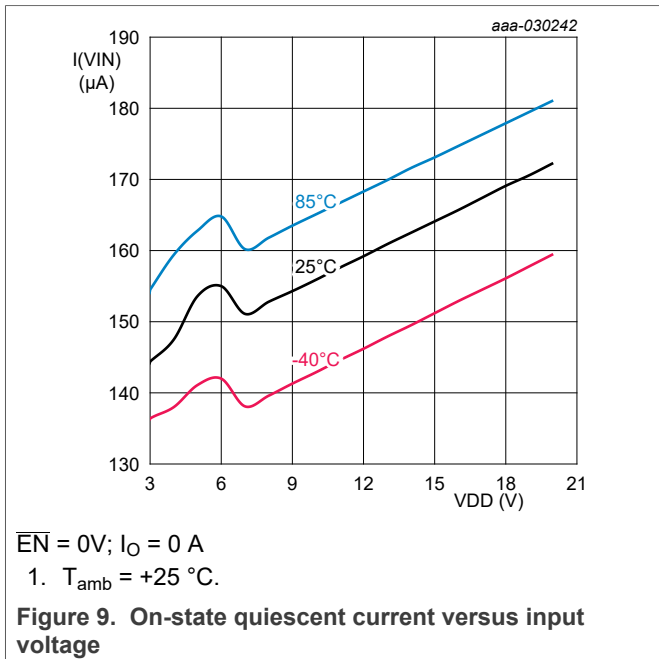
Symbol	Parameter	Conditions	T _{amb} = 25 °C			T _{amb} = -40 °C to +85 °C		Unit
			Min	Typ	Max	Min	Max	
V _{IH}	HIGH-level input voltage	\overline{EN} pin; V _{I(VIN)} = 2.8V to 20V	1.2	-	-	1.2	-	V
V _{IL}	LOW-level input voltage	\overline{EN} pin; V _{I(VIN)} = 2.8V to 20V	-	-	0.4	-	0.4	V
I _{EN}	Input leakage current	\overline{EN} pin; V _{I(EN)} =0V	-	0.1	-	-1	1	μA
C _i	input capacitance	\overline{EN} pin; V _{I(VIN)} = 5V	-	5	-	-	-	pF
R _{pd}	pull-down resistance	\overline{EN} pin;	0.7	1	1.3	-	-	MΩ
I _q	VIN quiescent current	$\overline{EN} = 0 V$; V _{I(VIN)} = 5.0 V; I _O = 0 A;	-	150	-	-	200	μA
		$\overline{EN} = 5.0 V$; V _{I(VIN)} = 5.0 V; I _O = 0 A;	-	1	-	-	3	μA
I _{q_SLEEP}	VDD Sleep mode current	$\overline{EN} = 0 V$; V _{I(VIN)} < V _{UVLO} ; VDD=3.0V; DETC_EN=0	-	12.5	-	-	20.5	μA
I _{q_OTG}	VOUT quiescent current	$\overline{EN} = 0 V$; V _{I(VOUT)} = 5.0 V; I _O = 0 A;	-	160	-	-	210	μA
I _{DET_LEAKAGE}	VIN Pin leakage in detection mode	$\overline{EN} = 0 V$; V _{I(VIN)} = 1V; DETC_EN=1	-	0.2	-	-	0.5	μA
I _{S(OFF)}	VOUT OFF-state leakage current	$\overline{EN} = 5.0 V$; V _{I(VIN)} = 5.0V; VOUT = 0 V	-	0.5	-	-	2	μA
V _{UVLO}	undervoltage lockout release voltage	VIN Rising; $\overline{EN} = 0 V$	-	2.65	-	2.5	2.8	V
V _{hys(UVLO)}	undervoltage lockout hysteresis voltage	VIN Falling;	-	100	-	-	-	mV
I _{OVLO}	ADJ pin input leakage Current	VIN=5V, V _{ADJ} =3V apply after power up	-	3	-	-	6	μA
		VIN=5V, V _{ADJ} =3V apply before power up	-	10	-	-	100	nA
V _{OVLO}	Default overvoltage lockout voltage	VIN Rising; $\overline{EN} = 0 V$; ADJ short to GND	-	6.8	-	6.6	7.0	V
V _{hys(OVLO)}	Overvoltage lockout hysteresis voltage	VIN Falling; $\overline{EN} = 0 V$; ADJ short to GND	-	2	-	1.3	2.7	%
V _{th(OVLO)}	external OVLO set threshold voltage	V _{I(VIN)} = 2.8V to 20V; $\overline{EN} = 0 V$	-	1.204	-	1.175	1.224	V
I²C-bus Interface Specifications								
V _{IH}	HIGH-level input voltage	SCL, SDA; VDD= 3.0V to 4.5V	1.2	-	-	1.2	-	V
V _{IL}	LOW-level input voltage	SCL, SDA; VDD= 3.0V to 4.5V	-	-	0.4	-	0.4	V

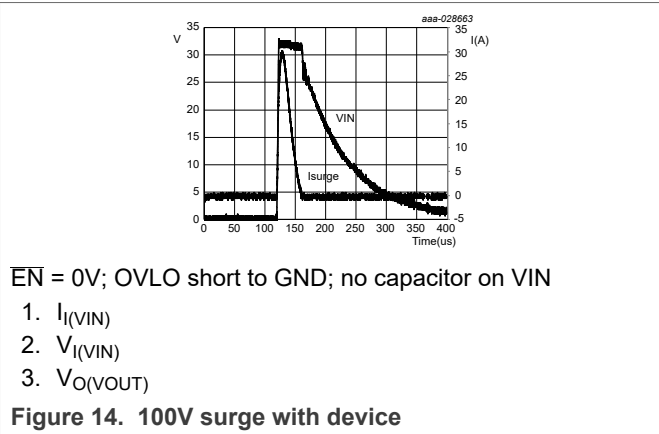
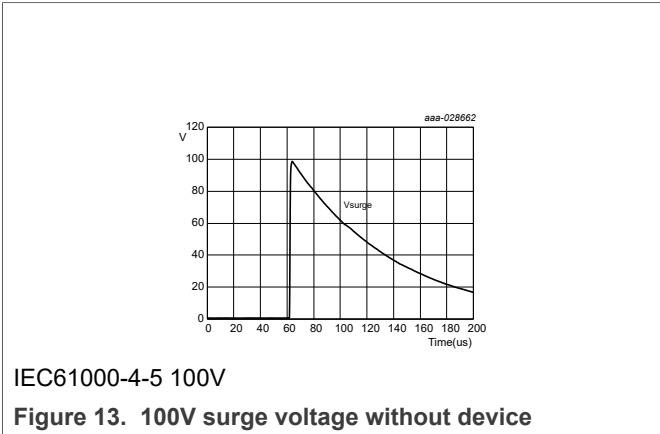
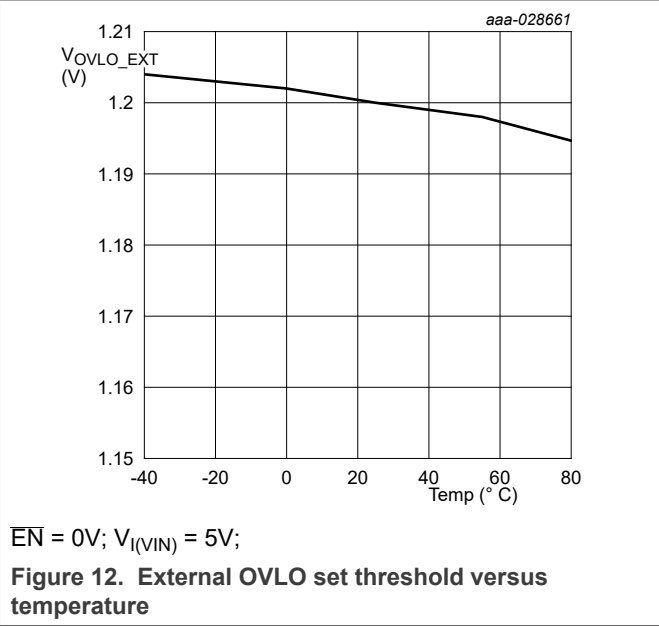
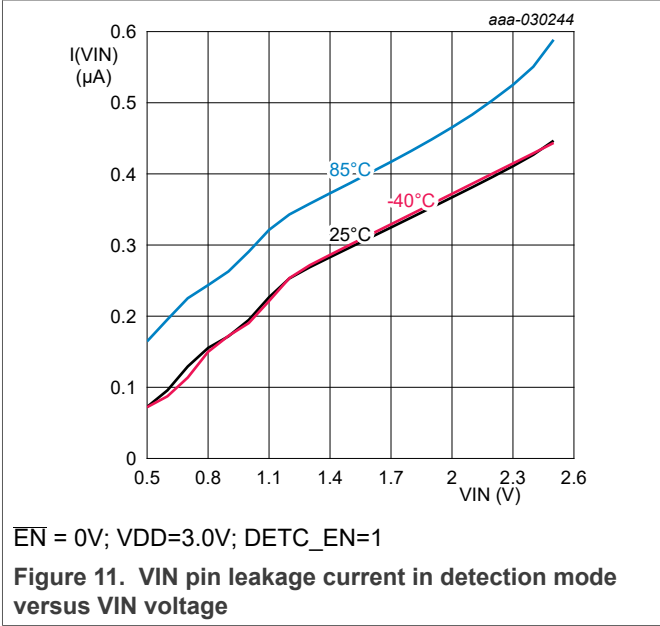
Table 28. Static characteristics...continued

At recommended operating conditions; voltages are referenced to GND (ground = 0 V).

Symbol	Parameter	Conditions	T _{amb} = 25 °C			T _{amb} = -40 °C to +85 °C		Unit
			Min	Typ	Max	Min	Max	
V _{OL}	LOW-level output voltage	INT pin; VDD= 3.0V to 4.5V; I _{load} = 1mA	-	-	0.3	-	0.3	V
I_{SOURCE} ADC Specifications								
I _{SOURCE_ADC}	Current source accuracy	VDD= 3.0V to 4.5V	-	-	-	-5	+5	%
t _{DET}	t _{DET} accuracy		-	-	-	-5	+5	%
t _{DUTY}	t _{DUTY} accuracy		-	-	-	-5	+5	%
V _{ADC}	ADC input voltage range	VDD= 3.0V to 4.5V	0		2.5	0	2.5	V
V _{ADC}	ADC reference voltage	VDD= 3.0V to 4.5V	-	2.7	-	2.64	2.76	V
Thermal Protection								
T _{th(otp)}	over temperature shutdown threshold temperature	VIN=2.8V to 20V	-	-	-	127	150	°C
T _{th(otp)hys}	hysteresis of over temperature protection threshold temperature	VIN=2.8V to 20V	-	-	-	23	27	°C

13.1 Graphs





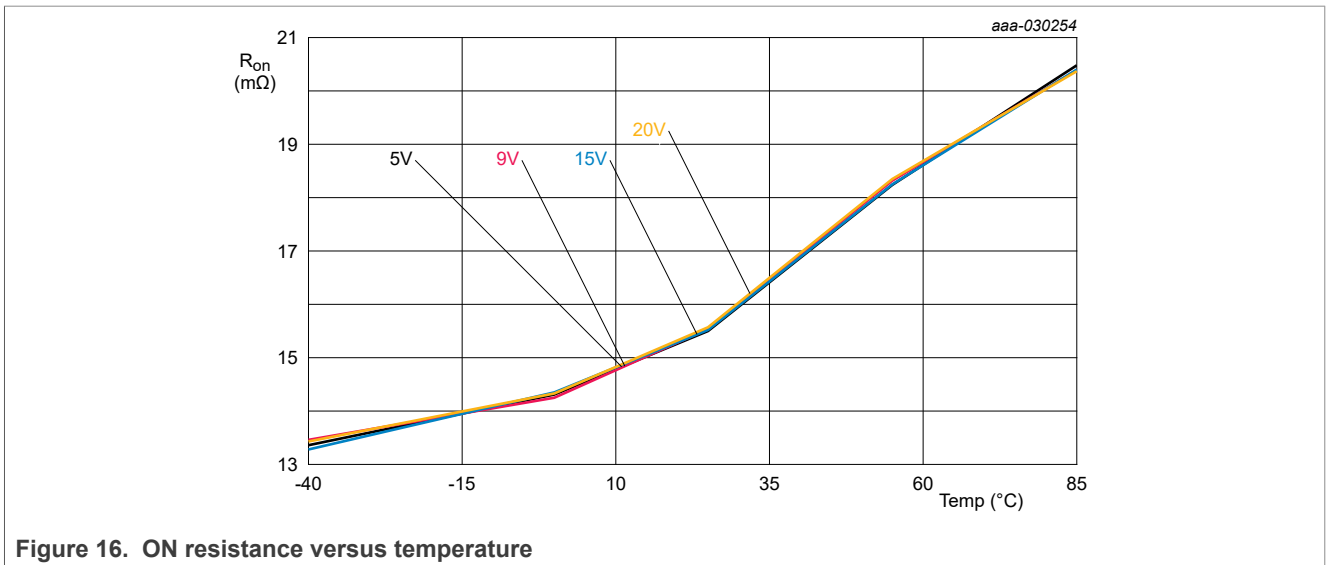
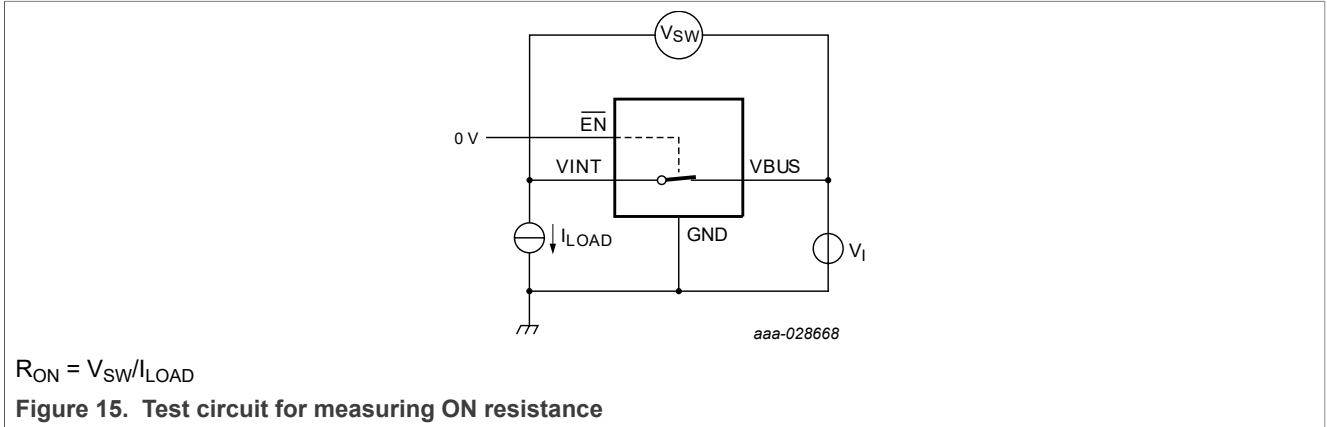
13.2 ON resistance

Table 29. ON resistance

At recommended operating conditions; voltages are referenced to GND (ground = 0 V)

Symbol	Parameter	Conditions	T _{amb} = 25 °C			T _{amb} = -40 °C to +85 °C		Unit
			Min	Typ	Max	Min	Max	
R _{ON}	ON resistance	I _{LOAD} = 1 A						
		V _{I(VIN)} = 5.0 V	-	15.5	20	-	25	mΩ
		V _{I(VIN)} = 20 V	-	15.5	20	-	25	mΩ

13.3 ON resistance test circuit and graphs



14 Dynamic characteristics

Table 30. Dynamic characteristics

At recommended operating conditions; voltages are referenced to GND (ground = 0 V); for test circuit see [Figure 18](#).

Symbol	Parameter	Conditions	T _{amb} = 25 °C			T _{amb} = -40 °C to +85 °C		Unit
			Min	Typ	Max	Min	Max	
t _{en}	Enable Time	From \overline{EN} to V _(VOUT) = 10 % of V _(VIN) ; (Including debounce time); V _{I(VIN)} = 5 V; C _{Load} = 22 μF; R _{Load} = 100 Ω	-	15	-	10	20	ms
t _{TLH}	VOUT rise time	V _(VOUT) from 10 % to 90 % V _(VIN) ; C _{Load} = 22 μF; R _{Load} = 100 Ω						
		V _{I(VIN)} = 5 V	-	0.9	-	-	2	ms
		V _{I(VIN)} = 20 V	-	1.8	-	-	3	ms
t _{dis(OVP)}	OVLO turn off time	From V _(VIN) > V _{OVLO} to V _(VOUT) = 80 % of V _(VIN) ; R _{load} = 100 Ω.; C _{load} = 0 μF; V _{I(VIN)} = 20 V; ADJ pin short to GND; VIN rise >2 V/us	-	30	-	-	100	ns
t _{start}	VIN start time	\overline{EN} = 0; from VIN > V _{UVLO} to V _(VOUT) = 10 % of V _(VIN)	-	15	-	10	20	ms
t _{dis}	Disable time	From \overline{EN} to V _(VOUT) = 90 % of V _(VIN) ; V _{I(VIN)} = 5 V; C _{Load} = 0 μF; R _{Load} = 100 Ω	-	0.2	-	0.1	0.5	μs
t _{DEB}	Debounce time	Time from V _{UVLO} < VIN < V _{OVLO} to V _(VOUT) = 10 % of V _(VIN)	-	13.5	-	-	-	ms
t _{WAKEUP} ^[1]	Sleep to VIN detection wake up time	Time from DETC_EN = 1 to device ready for VIN impedance detection	-	1.5	-	-	3	ms
t _{SCP}	Short circuit protection response time	VIN=5 V; Time from short circuit happened to switch turn off	-	3	-	-	-	μs

[1] Guaranteed by design

Table 31. I²C-bus interface timing requirements

At recommended operating conditions; T_{amb} = -40 °C to +85 °C; voltages are referenced to GND (ground = 0 V).

Symbol	Parameter	Conditions	Standard Mode		Fast Mode		Unit
			Min	Max	Min	Max	
f _{SCL}	I ² C SCL clock frequency ^[1]		0	100	0	1000	kHz
t _{HIGH}	HIGH period of the SCL clock		4	-	0.6	-	μs
t _{LOW}	LOW period of the SCL clock		4.7	-	1.3	-	μs
t _{SP}	pulse width of spikes that will be suppressed by the input filter		-	50	-	50	ns

Table 31. I²C-bus interface timing requirements...continued

At recommended operating conditions; $T_{amb} = -40\text{ }^{\circ}\text{C}$ to $+85\text{ }^{\circ}\text{C}$; voltages are referenced to GND (ground = 0 V).

Symbol	Parameter	Conditions	Standard Mode		Fast Mode		Unit
			Min	Max	Min	Max	
$t_{SU,DAT}$	data set-up time		250	-	100	-	ns
t_r	rise time of both SDA and SCL signals		-	1000	$20+0.1C_b$ [2]	300	ns
t_f	fall time of both SDA and SCL signals		-	300	$20+0.1C_b$ [2]	300	ns
t_{BUF}	bus free time between a STOP and START condition		4.7	-	1.3	-	μs
$t_{SU,STA}$	set-up time for a repeated START condition		4.7	-	0.6	-	μs
$t_{HD,STA}$	hold time (repeated) START condition		4	-	0.6	-	μs
$t_{SU,STO}$	set-up time for STOP condition		4	-	0.6	-	μs
$t_{VD,DAT}$	data valid time	SCL LOW to SDA output valid	-	3.45	-	0.9	μs
$t_{VD,ACK}$	data valid acknowledge time	ACK signal from SCL LOW to SDA LOW	-	3.45	-	0.9	μs

[1] For other I²C operating modes please refer to I²C-bus specification and user manual: <https://www.nxp.com/docs/en/user-guide/UM10204.pdf>

[2] C_b = total capacitance of one bus line in pF.

14.1 Waveforms and test circuit

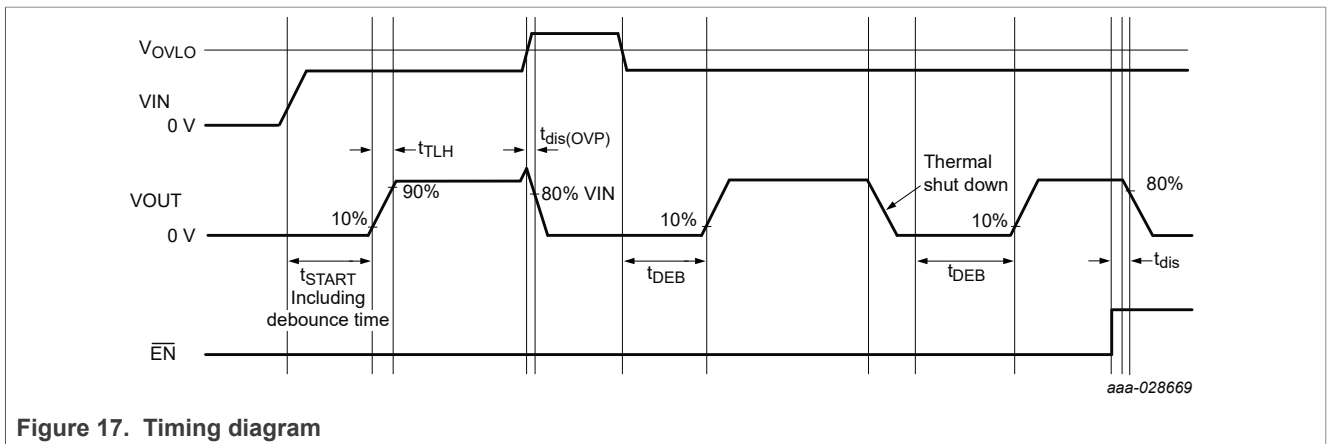
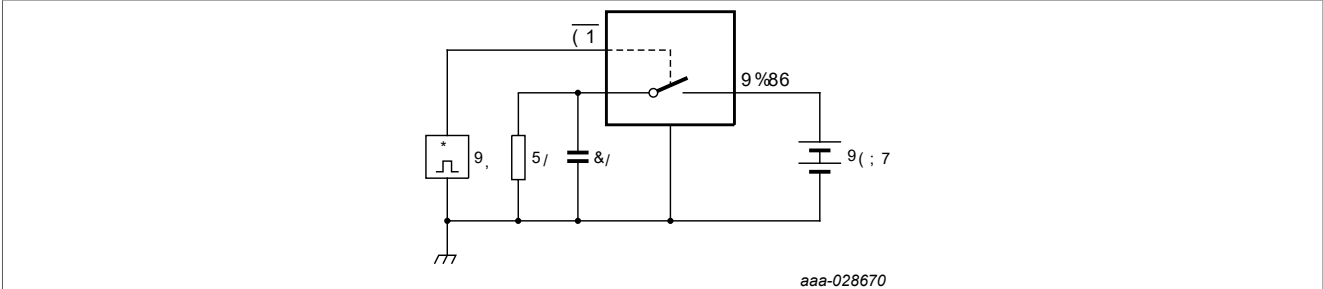


Figure 17. Timing diagram



Test Condition is given in [Table 32](#)

R_L = Load resistance.

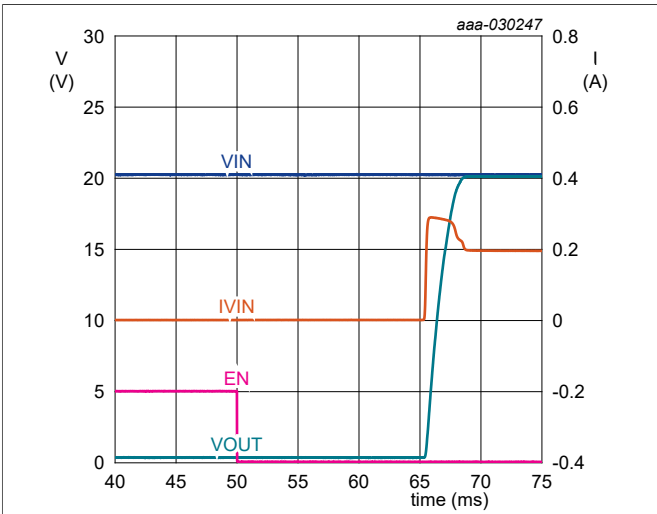
C_L = Load capacitance including jig and probe capacitance.

V_{EXT} = External voltage for measuring switching times.

Figure 18. Test circuit for measuring switching times

Table 32. Test Condition

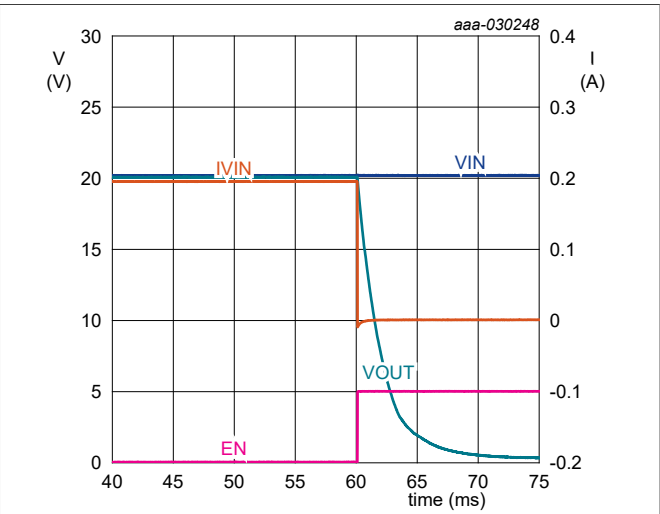
Supply voltage V _{EXT}	Load	
VIN	C _L	R _L
2.8 V to 20V	22 μF	100 Ω



V_{I(VIN)} = 20.0 V; R_L = 100 Ω; C_L = 22μF

1. VOUT
2. \overline{EN}
3. I_{I(VIN)}

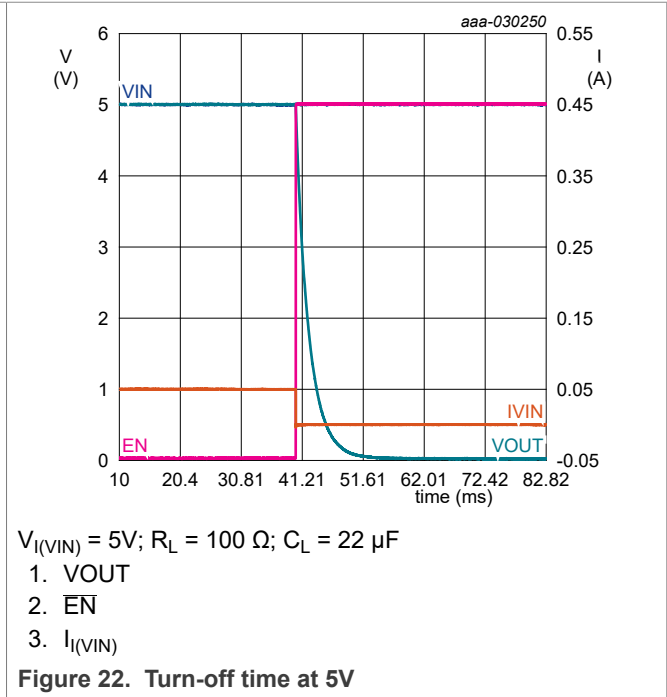
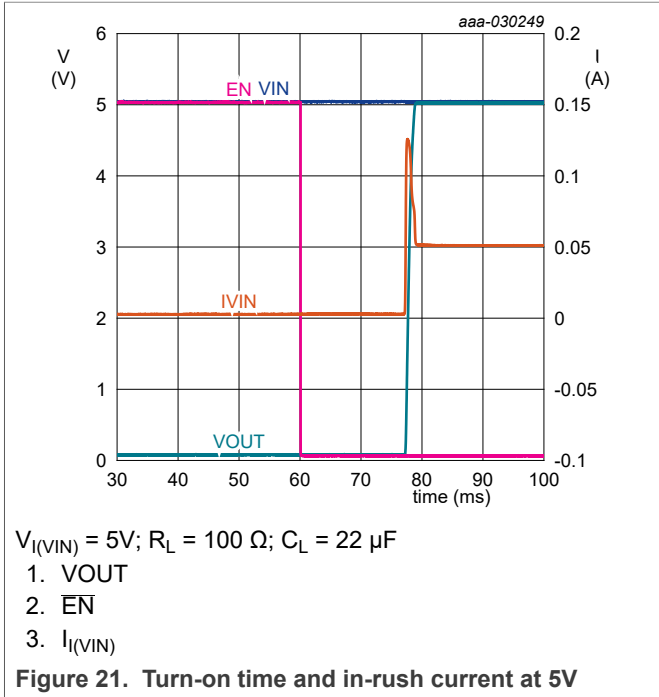
Figure 19. Turn-on time and in-rush current at 20V



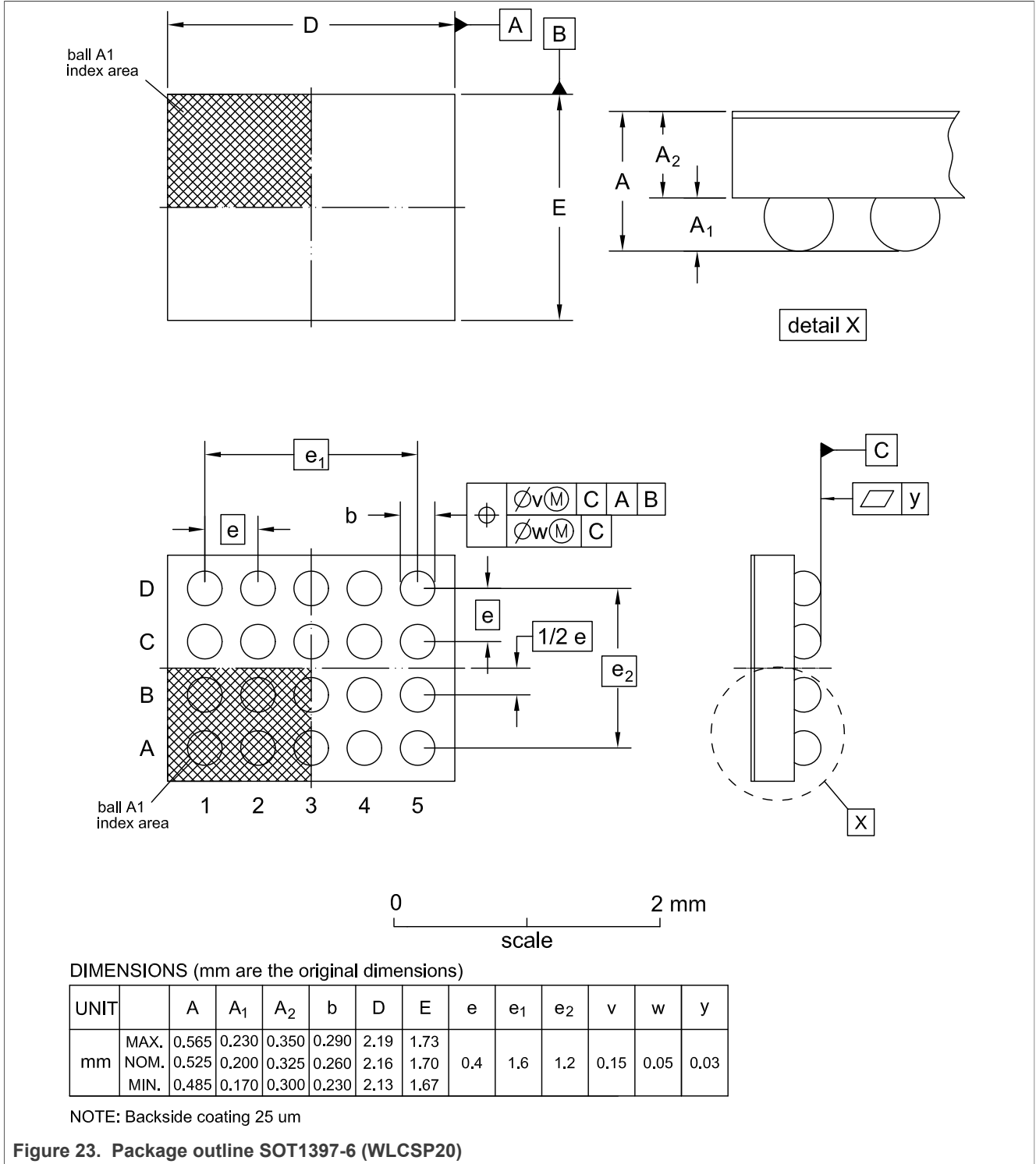
V_{I(VIN)} = 20.0 V; R_L = 100 Ω; C_L = 22μF

1. VOUT
2. \overline{EN}
3. I_{I(VIN)}

Figure 20. Turn-off time at 20V



15 Package outline



16 Revision history

Table 33. Revision history

Document ID	Release date	Data sheet status	Change notice	Supersedes
NX30P6093A v2.1	20220406	Product data sheet	-	NX30P6093A v2.0
Modifications:	• Section 8.8 : Updated URL for application note AN13609			
NX30P6093A v2.0	20220405	Product data sheet	-	NX30P6093A v1.0
NX30P6093A v1.0	20180816	Product data sheet	-	-

17 Legal information

17.1 Data sheet status

Document status ^{[1][2]}	Product status ^[3]	Definition
Objective [short] data sheet	Development	This document contains data from the objective specification for product development.
Preliminary [short] data sheet	Qualification	This document contains data from the preliminary specification.
Product [short] data sheet	Production	This document contains the product specification.

[1] Please consult the most recently issued document before initiating or completing a design.

[2] The term 'short data sheet' is explained in section "Definitions".

[3] The product status of device(s) described in this document may have changed since this document was published and may differ in case of multiple devices. The latest product status information is available on the Internet at URL <http://www.nxp.com>.

17.2 Definitions

Draft — A draft status on a document indicates that the content is still under internal review and subject to formal approval, which may result in modifications or additions. NXP Semiconductors does not give any representations or warranties as to the accuracy or completeness of information included in a draft version of a document and shall have no liability for the consequences of use of such information.

Short data sheet — A short data sheet is an extract from a full data sheet with the same product type number(s) and title. A short data sheet is intended for quick reference only and should not be relied upon to contain detailed and full information. For detailed and full information see the relevant full data sheet, which is available on request via the local NXP Semiconductors sales office. In case of any inconsistency or conflict with the short data sheet, the full data sheet shall prevail.

Product specification — The information and data provided in a Product data sheet shall define the specification of the product as agreed between NXP Semiconductors and its customer, unless NXP Semiconductors and customer have explicitly agreed otherwise in writing. In no event however, shall an agreement be valid in which the NXP Semiconductors product is deemed to offer functions and qualities beyond those described in the Product data sheet.

17.3 Disclaimers

Limited warranty and liability — Information in this document is believed to be accurate and reliable. However, NXP Semiconductors does not give any representations or warranties, expressed or implied, as to the accuracy or completeness of such information and shall have no liability for the consequences of use of such information. NXP Semiconductors takes no responsibility for the content in this document if provided by an information source outside of NXP Semiconductors.

In no event shall NXP Semiconductors be liable for any indirect, incidental, punitive, special or consequential damages (including - without limitation - lost profits, lost savings, business interruption, costs related to the removal or replacement of any products or rework charges) whether or not such damages are based on tort (including negligence), warranty, breach of contract or any other legal theory.

Notwithstanding any damages that customer might incur for any reason whatsoever, NXP Semiconductors' aggregate and cumulative liability towards customer for the products described herein shall be limited in accordance with the Terms and conditions of commercial sale of NXP Semiconductors.

Right to make changes — NXP Semiconductors reserves the right to make changes to information published in this document, including without limitation specifications and product descriptions, at any time and without notice. This document supersedes and replaces all information supplied prior to the publication hereof.

Suitability for use — NXP Semiconductors products are not designed, authorized or warranted to be suitable for use in life support, life-critical or safety-critical systems or equipment, nor in applications where failure or malfunction of an NXP Semiconductors product can reasonably be expected to result in personal injury, death or severe property or environmental damage. NXP Semiconductors and its suppliers accept no liability for inclusion and/or use of NXP Semiconductors products in such equipment or applications and therefore such inclusion and/or use is at the customer's own risk.

Applications — Applications that are described herein for any of these products are for illustrative purposes only. NXP Semiconductors makes no representation or warranty that such applications will be suitable for the specified use without further testing or modification.

Customers are responsible for the design and operation of their applications and products using NXP Semiconductors products, and NXP Semiconductors accepts no liability for any assistance with applications or customer product design. It is customer's sole responsibility to determine whether the NXP Semiconductors product is suitable and fit for the customer's applications and products planned, as well as for the planned application and use of customer's third party customer(s). Customers should provide appropriate design and operating safeguards to minimize the risks associated with their applications and products.

NXP Semiconductors does not accept any liability related to any default, damage, costs or problem which is based on any weakness or default in the customer's applications or products, or the application or use by customer's third party customer(s). Customer is responsible for doing all necessary testing for the customer's applications and products using NXP Semiconductors products in order to avoid a default of the applications and the products or of the application or use by customer's third party customer(s). NXP does not accept any liability in this respect.

Limiting values — Stress above one or more limiting values (as defined in the Absolute Maximum Ratings System of IEC 60134) will cause permanent damage to the device. Limiting values are stress ratings only and (proper) operation of the device at these or any other conditions above those given in the Recommended operating conditions section (if present) or the Characteristics sections of this document is not warranted. Constant or repeated exposure to limiting values will permanently and irreversibly affect the quality and reliability of the device.

Terms and conditions of commercial sale — NXP Semiconductors products are sold subject to the general terms and conditions of commercial sale, as published at <http://www.nxp.com/profile/terms>, unless otherwise agreed in a valid written individual agreement. In case an individual agreement is concluded only the terms and conditions of the respective agreement shall apply. NXP Semiconductors hereby expressly objects to applying the customer's general terms and conditions with regard to the purchase of NXP Semiconductors products by customer.

No offer to sell or license — Nothing in this document may be interpreted or construed as an offer to sell products that is open for acceptance or the grant, conveyance or implication of any license under any copyrights, patents or other industrial or intellectual property rights.

Quick reference data — The Quick reference data is an extract of the product data given in the Limiting values and Characteristics sections of this document, and as such is not complete, exhaustive or legally binding.

Export control — This document as well as the item(s) described herein may be subject to export control regulations. Export might require a prior authorization from competent authorities.

Suitability for use in non-automotive qualified products — Unless this data sheet expressly states that this specific NXP Semiconductors product is automotive qualified, the product is not suitable for automotive use. It is neither qualified nor tested in accordance with automotive testing or application requirements. NXP Semiconductors accepts no liability for inclusion and/or use of non-automotive qualified products in automotive equipment or applications.

In the event that customer uses the product for design-in and use in automotive applications to automotive specifications and standards, customer (a) shall use the product without NXP Semiconductors' warranty of the product for such automotive applications, use and specifications, and (b) whenever customer uses the product for automotive applications beyond NXP Semiconductors' specifications such use shall be solely at customer's own risk, and (c) customer fully indemnifies NXP Semiconductors for any liability, damages or failed product claims resulting from customer design and use of the product for automotive applications beyond NXP Semiconductors' standard warranty and NXP Semiconductors' product specifications.

Translations — A non-English (translated) version of a document, including the legal information in that document, is for reference only. The English version shall prevail in case of any discrepancy between the translated and English versions.

Security — Customer understands that all NXP products may be subject to unidentified vulnerabilities or may support established security standards or specifications with known limitations. Customer is responsible for the design and operation of its applications and products throughout their lifecycles to reduce the effect of these vulnerabilities on customer's applications and products. Customer's responsibility also extends to other open and/or proprietary technologies supported by NXP products for use in customer's applications. NXP accepts no liability for any vulnerability. Customer should regularly check security updates from NXP and follow up appropriately.

Customer shall select products with security features that best meet rules, regulations, and standards of the intended application and make the ultimate design decisions regarding its products and is solely responsible for compliance with all legal, regulatory, and security related requirements concerning its products, regardless of any information or support that may be provided by NXP.

NXP has a Product Security Incident Response Team (PSIRT) (reachable at PSIRT@nxp.com) that manages the investigation, reporting, and solution release to security vulnerabilities of NXP products.

17.4 Trademarks

Notice: All referenced brands, product names, service names, and trademarks are the property of their respective owners.

NXP — wordmark and logo are trademarks of NXP B.V.

Tables

Tab. 1.	Ordering information	2	Tab. 16.	FLAG Register	14
Tab. 2.	Ordering options	2	Tab. 17.	Interrupt Mask Register	14
Tab. 3.	Marking	2	Tab. 18.	OVLO trig level Register	15
Tab. 4.	Pin description	4	Tab. 19.	Isource to VIN Register	15
Tab. 5.	Slew rate tune setting by I2C register	5	Tab. 20.	Isource timing Register	15
Tab. 6.	OVLO threshold setting by I2C register	6	Tab. 21.	Voltage on VIN Register	16
Tab. 7.	Additional OVLO threshold setting by I2C register	7	Tab. 22.	Set tag on VIN Register	16
Tab. 8.	OVLO threshold fine tune setting by I2C register	7	Tab. 23.	Additional OVP Register	16
Tab. 9.	Current source set by I2C register	8	Tab. 24.	Additional OVP Register	16
Tab. 10.	Current source turn-on pulse width setting by I2C register	9	Tab. 25.	Limiting values	17
Tab. 11.	Detection duty cycle setting by I2C register	9	Tab. 26.	Recommended operating conditions	18
Tab. 12.	NX30P6093A Register map	12	Tab. 27.	Thermal characteristics	18
Tab. 13.	Device ID Register	13	Tab. 28.	Static characteristics	19
Tab. 14.	Enable Register	13	Tab. 29.	ON resistance	21
Tab. 15.	Status Register	13	Tab. 30.	Dynamic characteristics	23
			Tab. 31.	I2C-bus interface timing requirements	23
			Tab. 32.	Test Condition	25
			Tab. 33.	Revision history	28

Figures

Fig. 1.	Block diagram	3	Fig. 12.	External OVLO set threshold versus temperature	21
Fig. 2.	Top view pin map WLCSP20	3	Fig. 13.	100V surge voltage without device	21
Fig. 3.	Bottom view pin map WLCSP20	3	Fig. 14.	100V surge with device	21
Fig. 4.	OVLO setting flow chart	6	Fig. 15.	Test circuit for measuring ON resistance	22
Fig. 5.	Moisture detection circuit	8	Fig. 16.	ON resistance versus temperature	22
Fig. 6.	VIN Impedance detection timing sequence	9	Fig. 17.	Timing diagram	24
Fig. 7.	Interrupt trigger and release	10	Fig. 18.	Test circuit for measuring switching times	25
Fig. 8.	NX30P6093A application diagram	17	Fig. 19.	Turn-on time and in-rush current at 20V	25
Fig. 9.	On-state quiescent current versus input voltage	20	Fig. 20.	Turn-off time at 20V	25
Fig. 10.	OFF-state quiescent current versus input voltage	20	Fig. 21.	Turn-on time and in-rush current at 5V	26
Fig. 11.	VIN pin leakage current in detection mode versus VIN voltage	21	Fig. 22.	Turn-off time at 5V	26
			Fig. 23.	Package outline SOT1397-6 (WLCSP20)	27

Contents

1	General description	1
2	Features and benefits	1
3	Applications	2
4	Ordering information	2
4.1	Ordering options	2
5	Marking	2
6	Functional diagram	3
7	Pinning information	3
7.1	Pinning	3
7.2	Pin description	4
8	Functional description	4
8.1	EN input	4
8.2	OTG Mode	5
8.3	Slew rate tune	5
8.4	Undervoltage lockout	5
8.5	Overvoltage lockout	5
8.6	Overtemperature protection	7
8.7	Short circuit protection	7
8.8	VIN impedance detection for moisture and short detection	7
8.9	Interrupt	10
8.10	I2C-bus interface	11
8.10.1	Device ID Register (Address 0x00h)	13
8.10.2	Enable Register (Address 0x01h)	13
8.10.3	Status Register (Address 0x02h)	13
8.10.4	Flag Register (Address 0x03h)	14
8.10.5	Interrupt Mask Register (Address 0x04h)	14
8.10.6	OVLO trig level Register (Address 0x05h)	15
8.10.7	Isource to VIN Register (Address 0x06h)	15
8.10.8	Isource timing Register (Address 0x07h)	15
8.10.9	Voltage on VIN Register (Address 0x08h)	15
8.10.10	Set tag on VIN Register (Address 0x09h)	16
8.10.11	Additional OVP Register (Address 0x0Eh)	16
8.10.12	Slew rate tune Register (Address 0x0Fh)	16
9	Application diagram	16
10	Limiting values	17
11	Recommended operating conditions	18
12	Thermal characteristics	18
13	Static characteristics	19
13.1	Graphs	20
13.2	ON resistance	21
13.3	ON resistance test circuit and graphs	22
14	Dynamic characteristics	23
14.1	Waveforms and test circuit	24
15	Package outline	27
16	Revision history	28
17	Legal information	29

Please be aware that important notices concerning this document and the product(s) described herein, have been included in section 'Legal information'.

© NXP B.V. 2022.

All rights reserved.

For more information, please visit: <http://www.nxp.com>

For sales office addresses, please send an email to: salesaddresses@nxp.com

Date of release: 6 April 2022
Document identifier: NX30P6093A