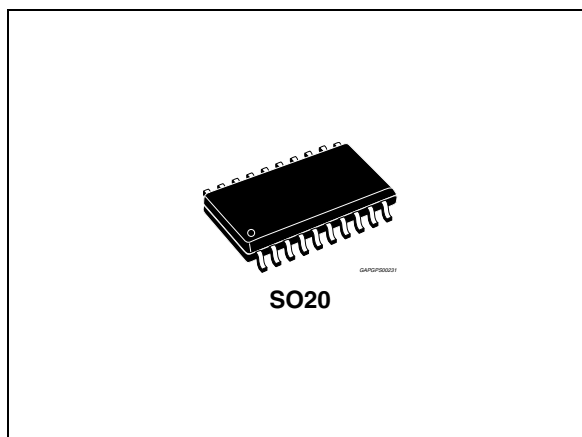


Quad low side driver

Datasheet – production data

Features

- Wide input voltage range from -24 V up to +45 V
- Wide operating supply voltage range from 4.5 V up to 32 V
- Reverse biasing protected ($V_S = -24$ V)
- Very low standby quiescent current $< 2 \mu\text{A}$
- Programmable signal transfer polarity
- TTL and CMOS compatible inputs
- Defined output off state off for open inputs
- Three open drain DMOS outputs, with $R_{DSon} = 1.5 \Omega$. at 25 °C and $V_S > 6$ V
- Output current limitation
- Controlled output slope for low EMI
- Over temperature shut-down
- Integrated output clamping for fast inductive recirculation $V_{FB} > 45$ V
- Status monitoring for:
 - Over temperature
 - Disconnected ground or supply voltage



- ESD: all pins are guaranteed till 2 kV human body mode

Description

The L9338 is a monolithic integrated quad low side driver realized in advanced Multipower-BCD technology. It is intended to drive lines, lamps or relays in automotive or industrial applications.

Table 1. Device summary

Order code	Package	Packing
E-L9338MD	SO20	Tube
E-L9338MD/TR	SO20	Tape and reel

Contents

1	Block diagram	5
2	Pins description	6
3	Electrical specifications	7
3.1	Absolute maximum ratings	7
3.2	Thermal data	7
3.3	Operating condition	7
3.4	Electrical characteristics	8
4	Circuit description	10
5	Package information	12
6	Revision history	13

List of tables

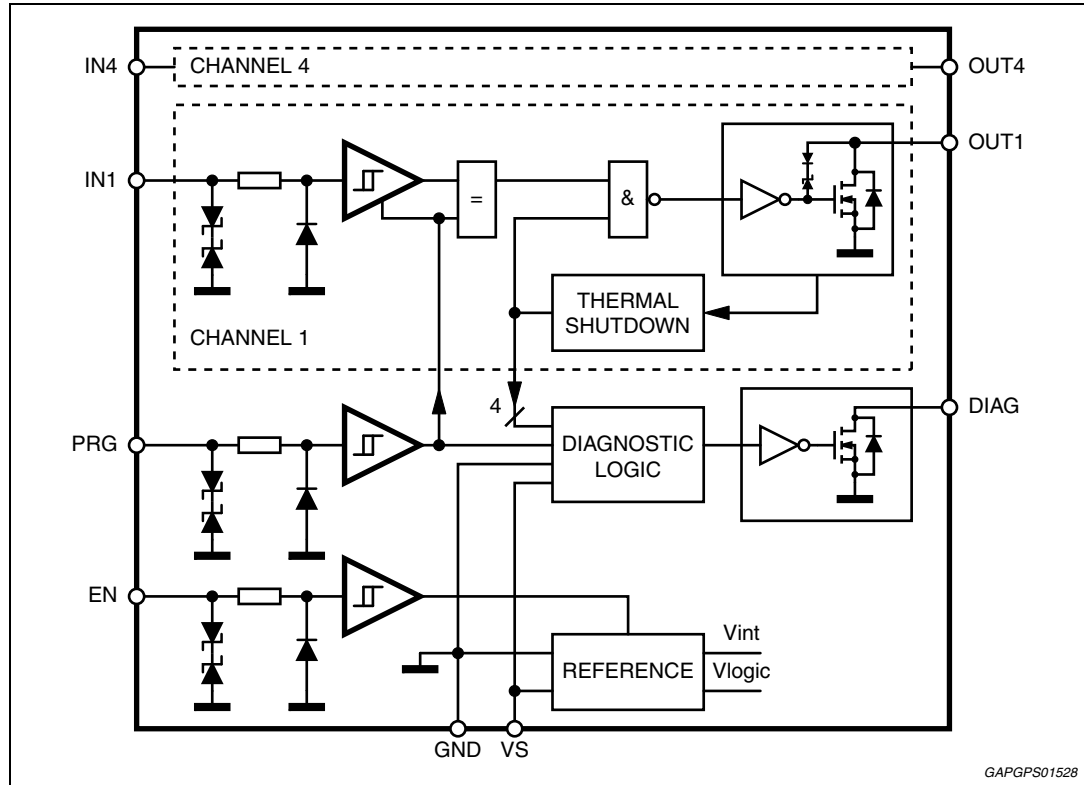
Table 1.	Device summary	1
Table 2.	Pins function	6
Table 3.	Absolute maximum ratings (no damage or latch)	7
Table 4.	Thermal data.	7
Table 5.	Operating condition.	7
Table 6.	Electrical characteristics	8
Table 7.	Diagnostic	10
Table 8.	Document revision history	13

List of figures

Figure 1.	Block diagram	5
Figure 2.	Pins connection diagram	6
Figure 3.	Timing diagram	9
Figure 4.	Application circuit for inverting transfer polarity	11
Figure 5.	SO20 mechanical data and package dimensions.	12

1 Block diagram

Figure 1. Block diagram



2 Pins description

Figure 2. Pins connection diagram

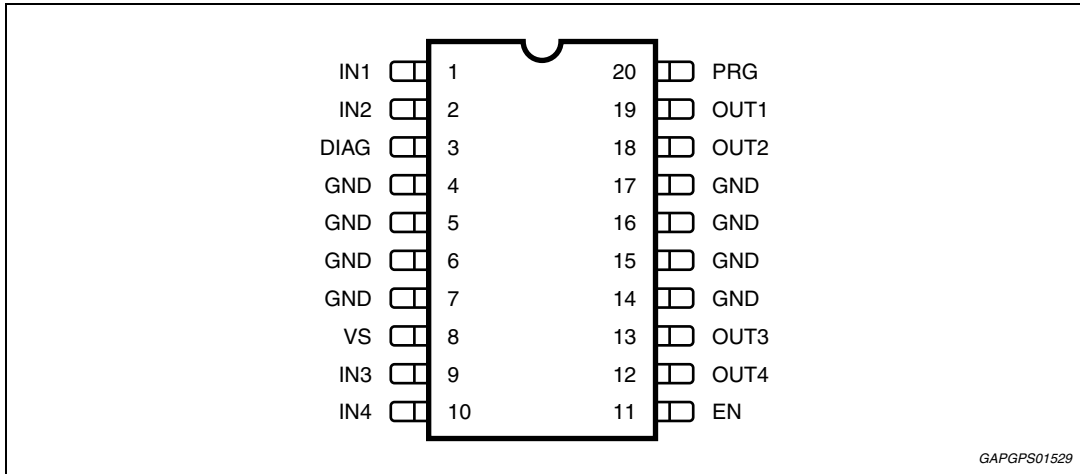


Table 2. Pins function

Pin #	Pin name	Function
1	IN1	Input 1
2	IN2	Input 2
3	DIAG	Diagnostic
4,5,6,7,14, 15,16,17	GND	Ground
8	VS	Supply voltage
9	IN3	Input 3
10	IN4	Input 4
11	EN	Enable
12	OUT 4	Output 4
13	OUT 3	Output 3
18	OUT 2	Output 2
19	OUT 1	Output 1
20	PRG	Program

3 Electrical specifications

3.1 Absolute maximum ratings

Table 3. Absolute maximum ratings (no damage or latch)

Symbol	Parameter	Value	Unit
V_S	Supply voltage	-24 to 45	V
Pin voltages			
V_{IN}	Input, enable, program	-24 to 45	V
V_{OUT}	Output	-0.3 to 45	V
V_{DIAG}	Diagnostic output	-0.3 to 45	V

3.2 Thermal data

Table 4. Thermal data

Symbol	Parameter	Value	Unit
$R_{th(j-pins)}$	Thermal resistance junction-to-pin	14 (Typ.)	°C/W
T_{jMon}	Temperature-monitoring	160 to 190	°C
	Switch-off-level Switch-on-level	140 to 170	°C

3.3 Operating condition

The electrical characteristics are valid within the below defined operating ranges, unless otherwise specified. The function will be guaranteed by design until T_{jMON} switch-OFF-level.

Table 5. Operating condition

Symbol	Parameter	Value	Unit
V_S	Supply voltage	4.5 to 32	V
V_{IN}	Input pin voltage	-24 to 45	V
V_{EN}	Enable pin voltage	-24 to 45	V
V_{OUT}, V_D	Output pin voltage	-0.3 to 45	V
T_j	Junction temperature	-40 to 150	°C

3.4 Electrical characteristics

Table 6. Electrical characteristics

Symbol	Parameter	Test Condition	Min.	Typ.	Max.	Unit
I_Q	Quiescent current	$-0.3V \leq V_{EN} \leq 0.5V$; $V_S = 14V$; $T_j = 85^\circ C$	-	< 2	10	μA
		EN = high; $V_S \leq 14V$	-	1.5	2	mA
Inputs IN1 - IN3, PRG						
V_{INlow}	Input voltage low	-	-24	-	2.0	V
V_{INhigh}	Input voltage high	-	2.8	-	45	V
I_{IN}	Input current	$-24 V \leq V_i \leq 10 V$	-10	-	15	μA
Enable input EN						
V_{ENlow}	Input voltage low	-	-24	-	1	V
V_{ENhigh}	Input voltage high	-	3.2	-	V_S	V
R_{EN}	Input impedance	$-24V < V_i < 2.5V$	10	-	-	k Ω
I_{EN}	Input current	$2.5V \leq V_i \leq 25V$	-	20	50	μA
Outputs OUT1-OUT3						
R_{DSon}	Output on-resistor to ground	$V_S \geq 6 V$, $I_O = 0.3 A$ $T_j = 25^\circ C$ $T_j = 125^\circ C$	-	1.7	2.3 3.5	Ω Ω
I_{OLeak}	Leakage current	$V_O = V_S = 14 V$; $T_j = 85^\circ C$	-	≤ 1	5	μA
V_{OClamp}	Output voltage during clamping	time < 200 μs ; $10 mA \leq I_O \leq 0.3 A$	45	52	60	V
I_{OSC}	Short-circuit current	-	400	700	1200	mA
C_O	Internal output capacities	$V_O \geq 4.5V$	-	-	100	pF
Diagnostic output DIAG						
V_{Dlow}	Output voltage low	$I_{DL} \leq 1 mA$	-	0.3	0.5	V
I_{Dmax}	Max. Output current	Internal current limitation	1	5	15	mA
I_{Dleak}	Leakage current	$V_S = 14 V$; $T_j = 85^\circ C$	-	≤ 0.1	1	μA
Timing (see Figure 3)						
$t_{d,on}$	On delay time	$V_S = 14 V$, $C_{ext} = 0 pF$ $10 mA \leq I_O \leq 200m A$	-	2.5	3.5	μs
$t_{d,off}$	Off delay time		-	3	4.5	μs
t_{set}	Enable settling time		-	-	10	μs
$t_{d,DIAG}$	On or off diagnostic delay time		-	-	10	μs
S_{out}	Output slopes		2.5	9	16	V/ μs

4 Circuit description

The L9338 is a quad low side driver for lines, lamps or inductive loads in automotive and industrial applications.

All inputs are TTL or CMOS compatible. This allows the device to be driven directly by a microcontroller. For the noise immunity, all inputs have a Schmitt-trigger with a hysteresis of typ. 100 mV.

Each input stage has an input voltage protection from -24 V to 45 V. The device can be activated with a 'high' signal on Enable (EN) input. Enable 'low' switches the device into the sleep mode. In this mode the quiescent current is less than 10 mA. A high signal on programming (PRG) input changes the signal transfer polarity from non inverting into the inverting mode. Normally this pin is connected to V_S or GND. These pins (PRG and EN) are internally fixed at low status by open input condition.

Independent of the programming input, the output (OUT) switches off, if the signal input (IN) pin is not connected.

Each output driver has a current limitation of min. 0.4 A and a separate thermal shut-down. The thermal shut-down deactivates that output which exceeds temperature switch off level. About 20K below this temperature threshold the output will be activated again. This means, that each output is able to sink continuously 285 mA without activating thermal shut-down at 85 °C ambient temperature. The slew rate of the output is limited to max. 14 V/ms to reduce the electromagnetic interference, but not for the enable transfer characteristic (see [Figure 3](#)). An integrated active flyback voltage limitation clamps the output voltage during the flyback phase of inductive loads to typ. 50 V. The power DMOS switches ON, if the device is enabled and the output swings below ground. This protection avoids the activation of parasitic inside the power DMOS.

The diagnostic (DIAG) is an open drain output. The logic status depends on the programming pin. If the PRG pin is 'low' the DIAG output becomes low, if the device works correctly.

At thermal shut-down of one channel, disconnected ground or supply voltage the diagnostic output becomes high. If the PRG pin is 'high' this output is switched off at normal function and switched on at over temperature.

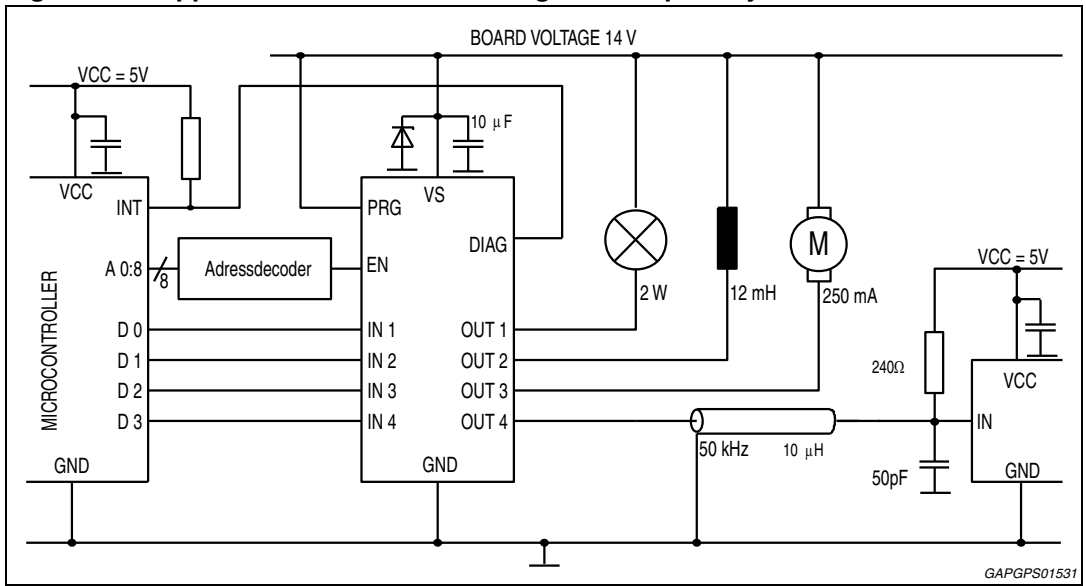
Table 7. Diagnostic

Pins	EN	PRG	IN	OUT	DIAG
Normal function	H	L	L	L (on)	L (on)
	H	L	H	H (off)	L (on)
	H	H	L	H (off)	H(off)
	H	H	H	L (on)	H(off)
	L	X	X	H (off)	H(off)
Over temperature, disconnected ground or supply voltage	H	L	X	H (off) ⁽¹⁾	H (off)
Over temperature	H	H	X	H (off) ⁽¹⁾	L (on)

1. Selective for each channel at over temperature.

X = not relevant.

Figure 4. Application circuit for inverting transfer polarity



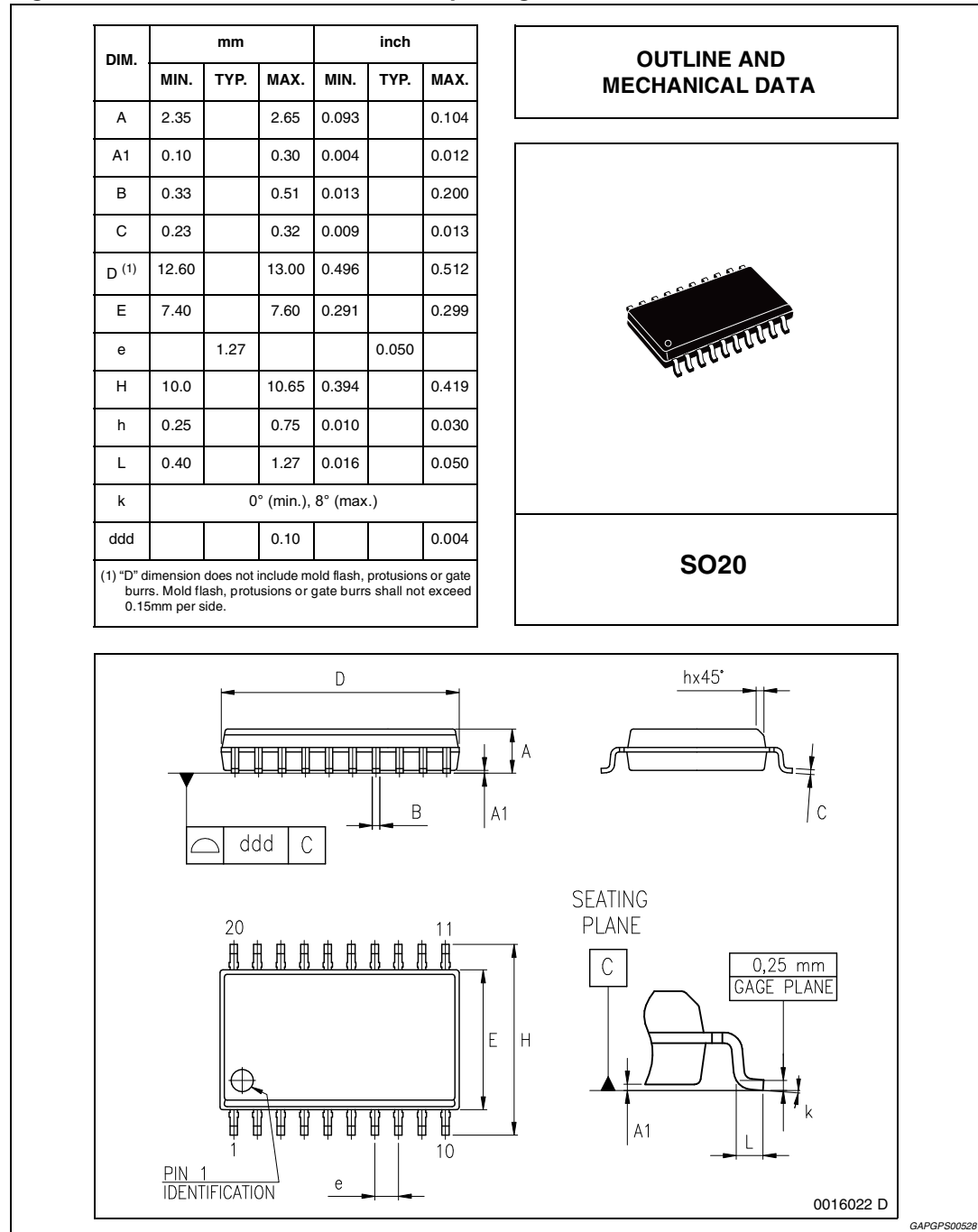
GAPGPS01531

5 Package information

In order to meet environmental requirements, ST offers these devices in different grades of ECOPACK® packages, depending on their level of environmental compliance. ECOPACK® specifications, grade definitions and product status are available at: www.st.com.

ECOPACK® is an ST trademark.

Figure 5. SO20 mechanical data and package dimensions



6 Revision history

Table 8. Document revision history

Date	Revision	Changes
March 2000	3	
10-Apr-2012	4	Document reformatted. Updated ordering numbers, see Table 1: Device summary on page 1 .
16-Sept-2013	5	Updated Disclaimer

Please Read Carefully:

Information in this document is provided solely in connection with ST products. STMicroelectronics NV and its subsidiaries ("ST") reserve the right to make changes, corrections, modifications or improvements, to this document, and the products and services described herein at any time, without notice.

All ST products are sold pursuant to ST's terms and conditions of sale.

Purchasers are solely responsible for the choice, selection and use of the ST products and services described herein, and ST assumes no liability whatsoever relating to the choice, selection or use of the ST products and services described herein.

No license, express or implied, by estoppel or otherwise, to any intellectual property rights is granted under this document. If any part of this document refers to any third party products or services it shall not be deemed a license grant by ST for the use of such third party products or services, or any intellectual property contained therein or considered as a warranty covering the use in any manner whatsoever of such third party products or services or any intellectual property contained therein.

UNLESS OTHERWISE SET FORTH IN ST'S TERMS AND CONDITIONS OF SALE ST DISCLAIMS ANY EXPRESS OR IMPLIED WARRANTY WITH RESPECT TO THE USE AND/OR SALE OF ST PRODUCTS INCLUDING WITHOUT LIMITATION IMPLIED WARRANTIES OF MERCHANTABILITY, FITNESS FOR A PARTICULAR PURPOSE (AND THEIR EQUIVALENTS UNDER THE LAWS OF ANY JURISDICTION), OR INFRINGEMENT OF ANY PATENT, COPYRIGHT OR OTHER INTELLECTUAL PROPERTY RIGHT.

ST PRODUCTS ARE NOT DESIGNED OR AUTHORIZED FOR USE IN: (A) SAFETY CRITICAL APPLICATIONS SUCH AS LIFE SUPPORTING, ACTIVE IMPLANTED DEVICES OR SYSTEMS WITH PRODUCT FUNCTIONAL SAFETY REQUIREMENTS; (B) AERONAUTIC APPLICATIONS; (C) AUTOMOTIVE APPLICATIONS OR ENVIRONMENTS, AND/OR (D) AEROSPACE APPLICATIONS OR ENVIRONMENTS. WHERE ST PRODUCTS ARE NOT DESIGNED FOR SUCH USE, THE PURCHASER SHALL USE PRODUCTS AT PURCHASER'S SOLE RISK, EVEN IF ST HAS BEEN INFORMED IN WRITING OF SUCH USAGE, UNLESS A PRODUCT IS EXPRESSLY DESIGNATED BY ST AS BEING INTENDED FOR "AUTOMOTIVE, AUTOMOTIVE SAFETY OR MEDICAL" INDUSTRY DOMAINS ACCORDING TO ST PRODUCT DESIGN SPECIFICATIONS. PRODUCTS FORMALLY ESCC, QML OR JAN QUALIFIED ARE DEEMED SUITABLE FOR USE IN AEROSPACE BY THE CORRESPONDING GOVERNMENTAL AGENCY.

Resale of ST products with provisions different from the statements and/or technical features set forth in this document shall immediately void any warranty granted by ST for the ST product or service described herein and shall not create or extend in any manner whatsoever, any liability of ST.

ST and the ST logo are trademarks or registered trademarks of ST in various countries.

Information in this document supersedes and replaces all information previously supplied.

The ST logo is a registered trademark of STMicroelectronics. All other names are the property of their respective owners.

© 2013 STMicroelectronics - All rights reserved

STMicroelectronics group of companies

Australia - Belgium - Brazil - Canada - China - Czech Republic - Finland - France - Germany - Hong Kong - India - Israel - Italy - Japan - Malaysia - Malta - Morocco - Philippines - Singapore - Spain - Sweden - Switzerland - United Kingdom - United States of America

www.st.com