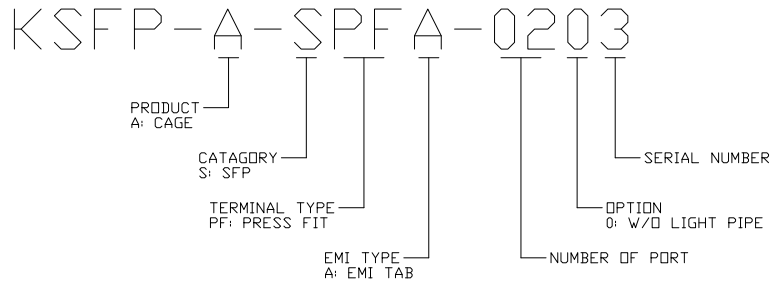
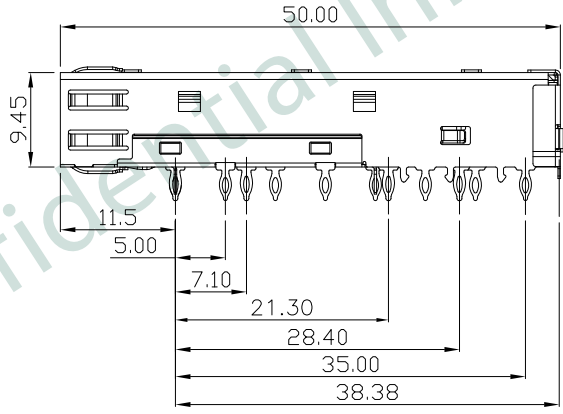
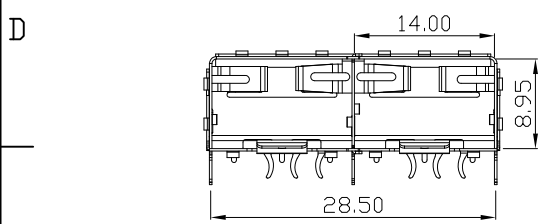
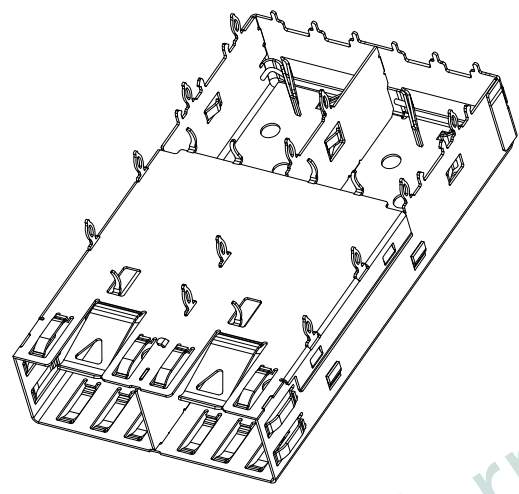
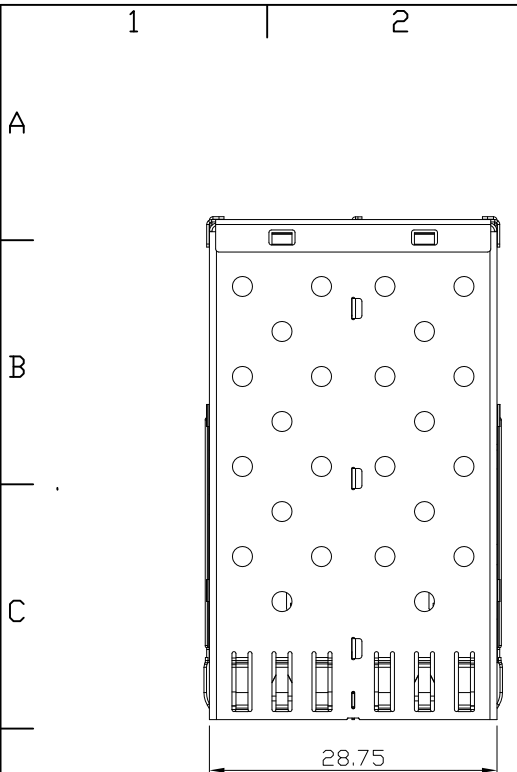


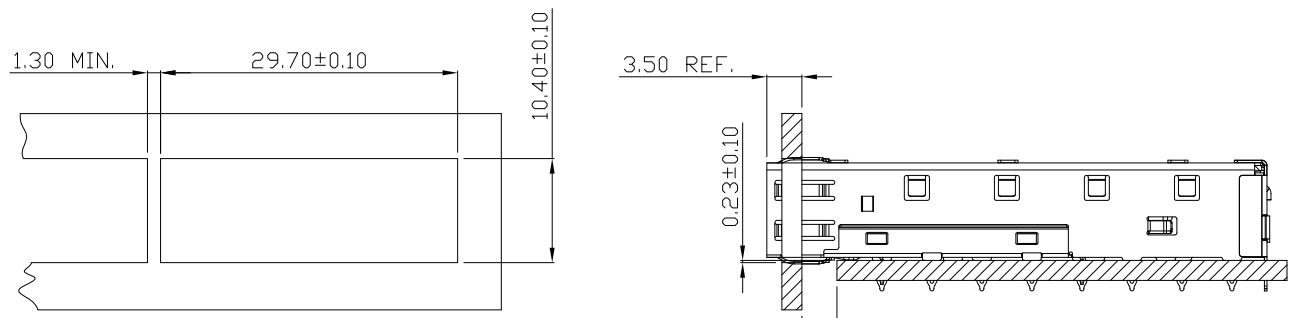
REV.	DATE	DESCRIPTION
01	Jul. 05, '18	1st RELEASE

- NOTES:
- MATERIALS: T=0.25mm, COPPER ALLOY
  - UNSPECIFIED TOLERANCE: .XX ±0.25



PART NO		KSFP-A-SPFA-0203		
TITLE	SFP CAGE 1X2 PORT, PRESS FIT TYPE			
REV : 01				
UNIT	DRAWN	CHKD	DATE	SHEET
mm[inch]	CINDY	VINCENT	Jul. 05, '18	1 of 2

A

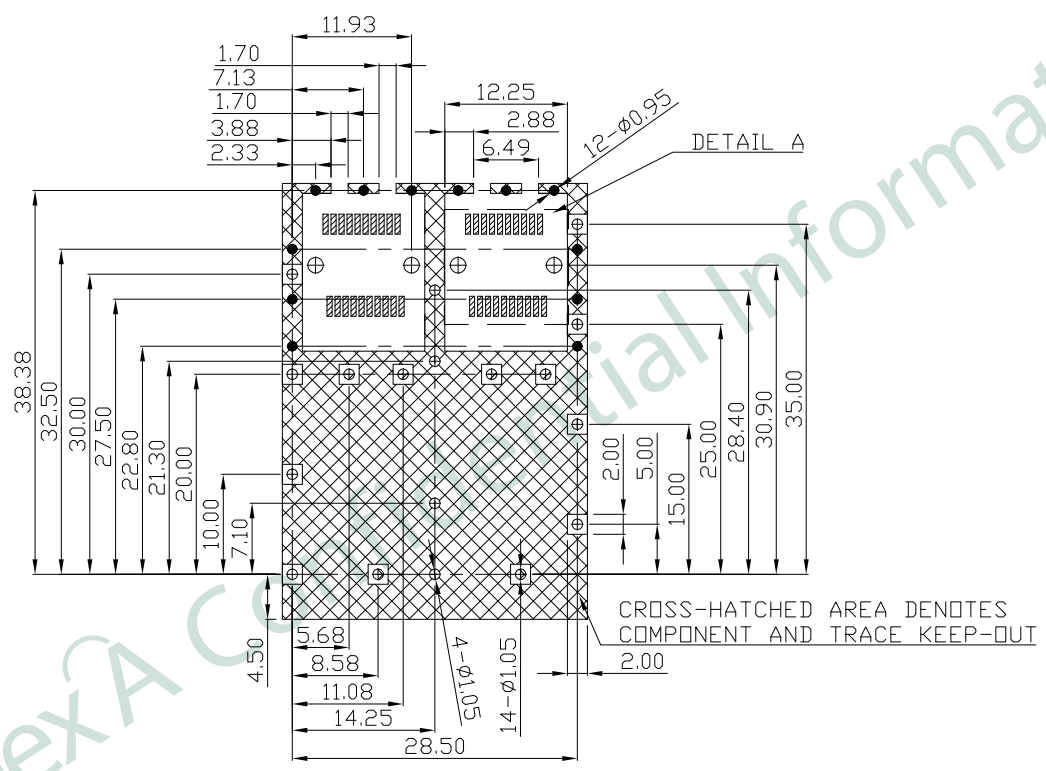


BEZEL

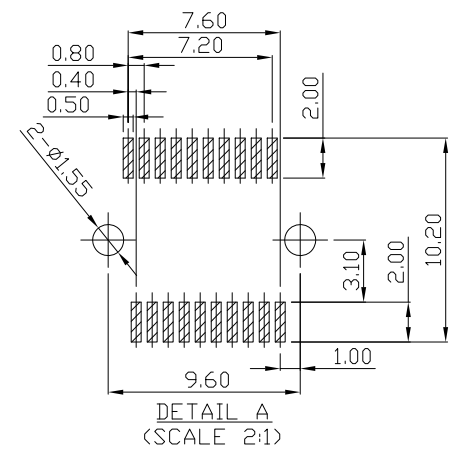
BEZEL OPENING BELOW TOP OF PCB

B

C



EDGE OF BOARD  
 RECOMMENDED PCB LAYOUT (COMPONENT SIDE)  
 PCB TOLERANCE: ±0.05  
 □ ● ● THROUGH HOLE



PART NO		KSFP-A-SPFA-0203		
TITLE	SFP CAGE 1X2 PORT, PRESS FIT TYPE			
REV : 01				
UNIT	DRAWN	CHKD	DATE	SHEET
mm[inch]	CINDY	VINCENT	Jul. 05, '18	2 of 2